



US00D935781S

(12) **United States Design Patent** (10) **Patent No.:** **US D935,781 S**
Berland et al. (45) **Date of Patent:** **** Nov. 16, 2021**

(54) **ORAL CARE BRUSH**

FOREIGN PATENT DOCUMENTS

(71) Applicants: **Lorin Berland**, Miami, FL (US);
Jean-Paul Berland, Miami, FL (US)

EM 007842141-0001 4/2020
EM 007848783-0001 4/2020

(Continued)

(72) Inventors: **Lorin Berland**, Miami, FL (US);
Jean-Paul Berland, Miami, FL (US)

OTHER PUBLICATIONS

(**) Term: **15 Years**

Dr.B Brush, announced Oct. 2020 [online], [site visited Mar. 5, 2021]. Available from internet, URL: <https://www.dentistrytoday.com/products/technology-innovations/item/7259-toothbrush-targets-people-with-dentures> (Year: 2020).*

(21) Appl. No.: **29/733,168**

(Continued)

(22) Filed: **Apr. 30, 2020**

Related U.S. Application Data

(63) Continuation of application No. 29/723,524, filed on Feb. 7, 2020, which is a continuation-in-part of application No. 29/711,612, filed on Nov. 1, 2019, application No. 29/733,168, which is a continuation of application No. 29/723,523, filed on Feb. 7, 2020, which is a continuation-in-part of application No. 29/711,612, filed on Nov. 1, 2019, application No. 29/733,168, which is a continuation-in-part of application No. 29/711,612, filed on Nov. 1, 2019.

Primary Examiner — Kevin K Rudzinski

Assistant Examiner — Tamara L Hahn

(74) *Attorney, Agent, or Firm* — Benjamin M. Hanrahan

(51) **LOC (13) Cl.** **04-02**

(57) **CLAIM**

The ornamental design for an oral care brush, as shown and described.

(52) **U.S. Cl.**

USPC **D4/106**

DESCRIPTION

(58) **Field of Classification Search**

USPC D4/100–138; D8/90, 105, 107, 300, 303; D32/50, 51, 52; D28/7, 63; D7/393, D7/395, 401.2; D24/176, 181

CPC A46B 2200/1066; A46B 2200/1046; A46B 2200/3093; A46B 9/04; A46B 13/023; A46B 5/0095; A61C 15/00; Y10S 15/00; Y10S 15/10

See application file for complete search history.

FIG. 1 is a perspective view illustrating our design for an oral care brush.
FIG. 2 is another perspective view thereof.
FIG. 3 is a right-side view thereof.
FIG. 4 is a rear view thereof.
FIG. 5 is a left-side view thereof.
FIG. 6 is a front view thereof.
FIG. 7 is a top view thereof.
FIG. 8 is a bottom view thereof.
FIG. 9 is a sectional view thereof along line 9-9 in FIG. 3; and,
FIG. 10 is a sectional view thereof along line 10-10 in FIG. 3.

The broken lines in FIGS. 9 and 10 show portions of the article that form no part of the claimed design.

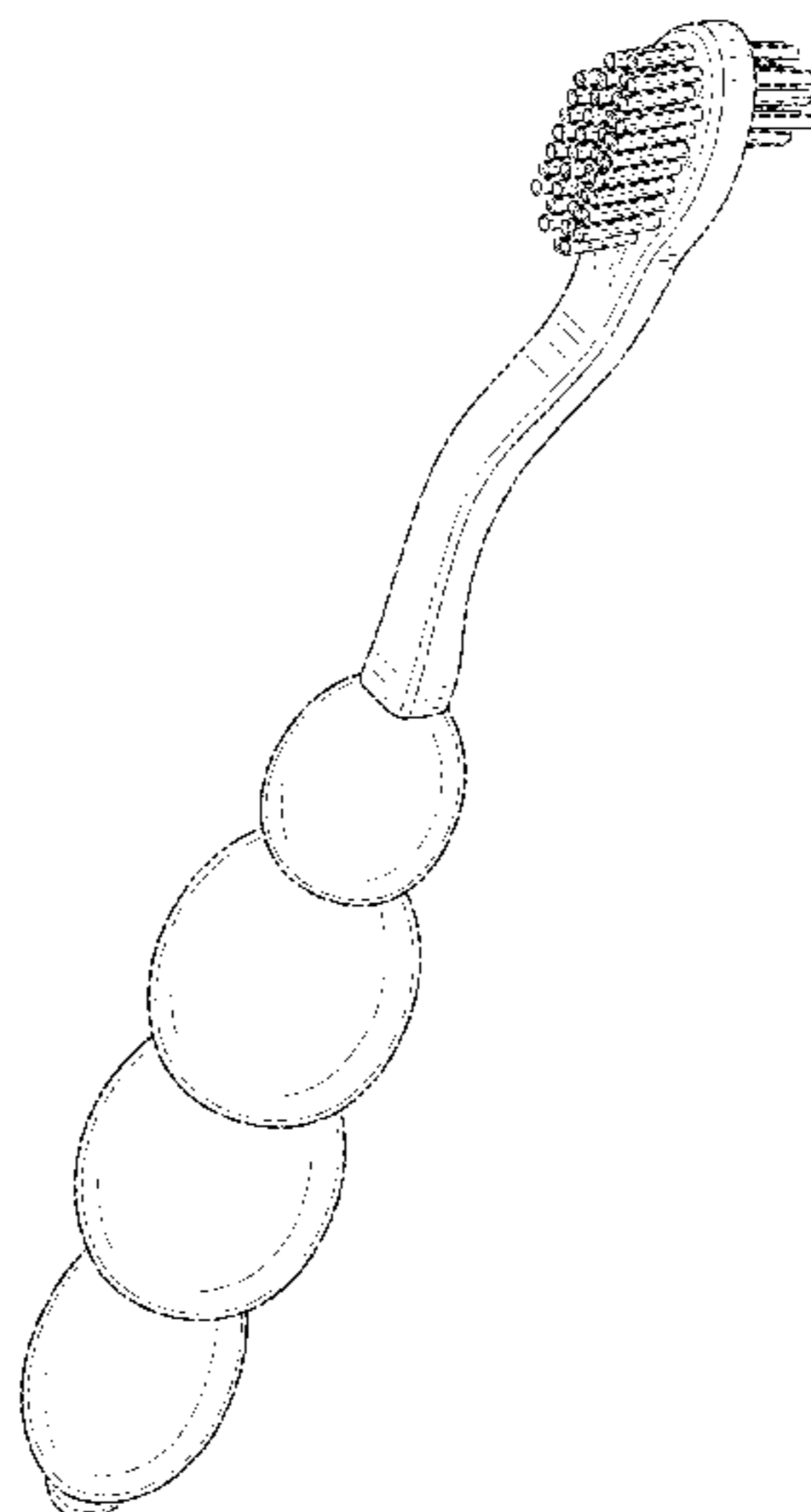
(56) **References Cited**

U.S. PATENT DOCUMENTS

D248,696 S 8/1978 Greenberg
D273,538 S 4/1984 Farnes et al.

(Continued)

1 Claim, 8 Drawing Sheets



(56)

References Cited

U.S. PATENT DOCUMENTS

D281,375 S 11/1985 Konjovic
 D287,072 S 12/1986 Pflieger
 D301,937 S 7/1989 Thompson
 4,894,880 A 1/1990 Aznavoorian
 D359,851 S 7/1995 Loew
 D374,775 S 10/1996 Yost et al.
 D377,867 S 2/1997 Berghash et al.
 D397,872 S * 9/1998 Moskovich D4/104
 D402,117 S 12/1998 Fleming et al.
 D403,510 S 1/1999 Menke et al.
 5,873,140 A 2/1999 Holloway
 D407,560 S 4/1999 Huang
 D411,683 S 6/1999 Moskovich et al.
 D414,607 S 10/1999 Trojanowski et al.
 D414,608 S 10/1999 Trojanowski et al.
 D414,938 S 10/1999 Stein
 D426,958 S 6/2000 Moskovich et al.
 D428,258 S * 7/2000 Moskovich D4/107
 D444,303 S 7/2001 Reille
 D444,629 S 7/2001 Ester et al.
 6,276,021 B1 8/2001 Hohlbein
 D448,569 S 10/2001 Harris et al.
 D453,077 S * 1/2002 Chen D4/138
 D456,136 S * 4/2002 Roehrig D4/104
 D461,056 S 8/2002 Florence
 D469,611 S 2/2003 Oriani et al.
 D480,562 S 10/2003 Saindon et al.
 6,643,887 B1 * 11/2003 Foley A46B 5/0033
 15/167.1
 D483,950 S 12/2003 Oriani et al.
 D489,533 S 5/2004 Yost et al.
 D490,982 S 6/2004 Moskovich et al.
 D505,264 S 5/2005 Chen
 D510,482 S * 10/2005 Jimenez D4/104
 D510,808 S 10/2005 Bantleon et al.
 D513,126 S * 12/2005 Jimenez D4/104
 D540,542 S 4/2007 Harada
 D555,359 S 11/2007 Chen
 D596,235 S * 7/2009 Tsai D19/194
 D619,369 S 7/2010 Nanda
 D637,817 S 5/2011 Smith
 D640,469 S * 6/2011 Nanda D4/112
 D648,134 S * 11/2011 Nanda D4/112
 D652,627 S 1/2012 Nanda
 D661,100 S 6/2012 Nanda
 D664,359 S 7/2012 Xi et al.
 D674,609 S 1/2013 Li
 8,464,388 B2 6/2013 Chen

D733,433 S 7/2015 Corbett et al.
 D742,649 S 11/2015 Thompson
 D747,881 S 1/2016 Li
 D752,870 S 4/2016 Slota
 D754,441 S * 4/2016 Corbett D4/101
 D764,804 S 8/2016 Lee et al.
 D765,983 S 9/2016 Jimenez et al.
 D776,936 S 1/2017 Fretwell et al.
 D780,458 S 3/2017 Foley et al.
 D783,290 S 4/2017 Lee et al.
 D790,862 S 7/2017 Matelo et al.
 D794,963 S 8/2017 Matelo et al.
 D796,847 S 9/2017 Xi et al.
 D797,459 S 9/2017 Moskovich et al.
 D799,836 S 10/2017 Bauernfeind et al.
 D801,698 S 11/2017 Lafortune et al.
 D838,490 S 1/2019 Kijurina
 D852,579 S * 7/2019 Greenwald D7/401.2
 D854,332 S 7/2019 Hielscher et al.
 D855,330 S 8/2019 Serval et al.
 D881,645 S * 4/2020 Ferrell D7/401.2
 D898,367 S * 10/2020 Schiffer D4/104
 2007/0089256 A1 4/2007 Chen
 2008/0256730 A1 * 10/2008 Chen A46B 15/0042
 15/105
 2010/0236006 A1 * 9/2010 Deng A46B 9/045
 15/167.2
 2015/0013088 A1 * 1/2015 Li A46B 15/0087
 15/167.1
 2017/0013952 A1 * 1/2017 Li A46B 15/0004

FOREIGN PATENT DOCUMENTS

EP 0655209 A1 5/1995
 JP D1135781 3/2002

OTHER PUBLICATIONS

Amazon Dental Brush 1, dated Mar. 2017 [online]. Available from internet, URL: https://www.amazon.com/TCS-Dental-Appliance-Brush-3/dp/B06XGB1C9L/ref=sr_1_2_sspa (Year:2017).
 Amazon Denture Brush 2, dated Dec. 2020 [online]. Available from internet, URL: https://www.amazon.com/Denture-Cleaning-hygienic-T-shaped-Toothbrush/dp/B08RRR79X9/ref=sr_1_15(Year:2020).
 Oral B Brush, dated 2013 [online]. Available from internet, URL: <https://www.walmart.com/ip/Oral-Denture-Toothbrush-1-Count/46107929> {Year:2013}.

* cited by examiner

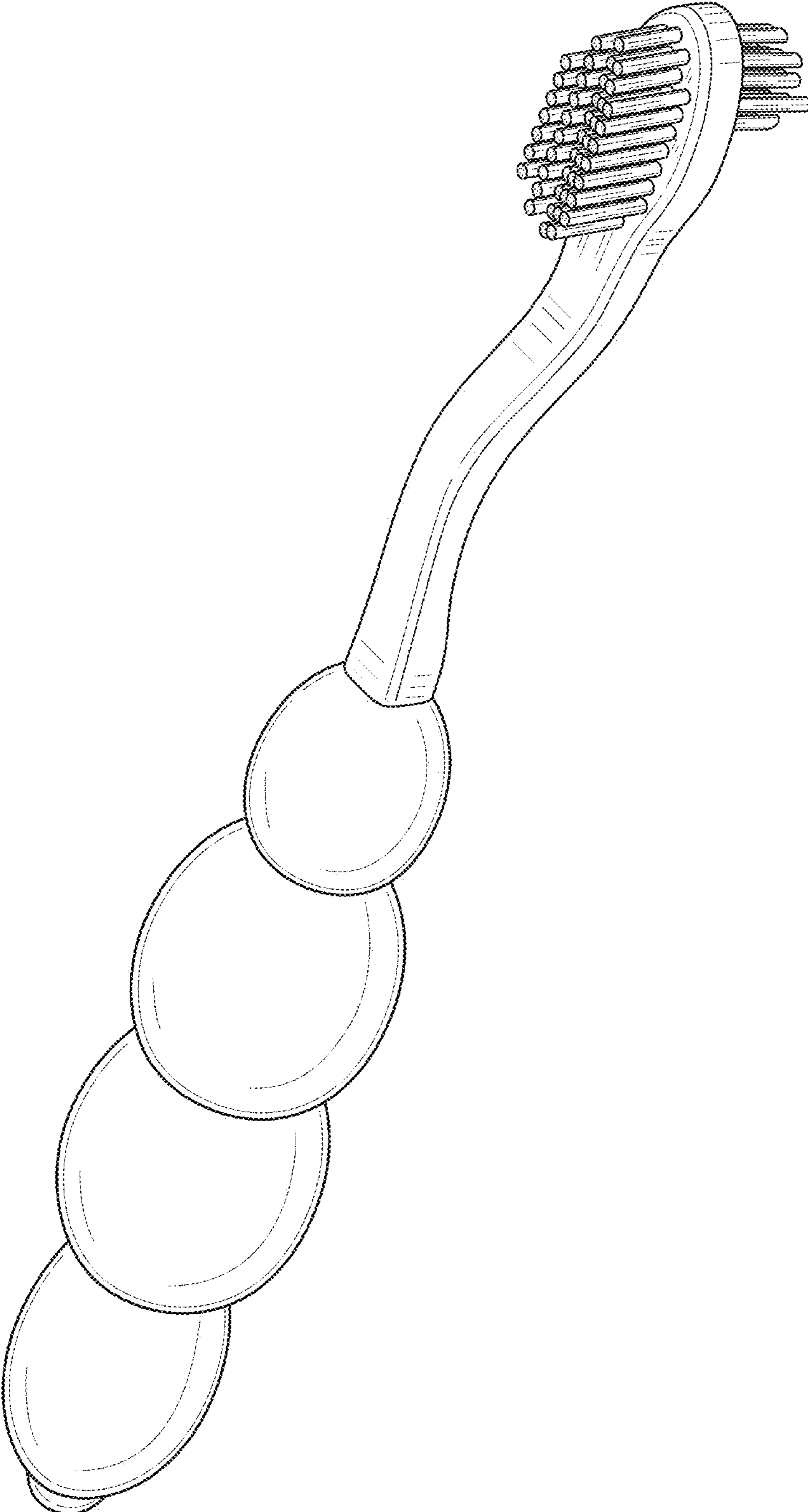


FIG. 1

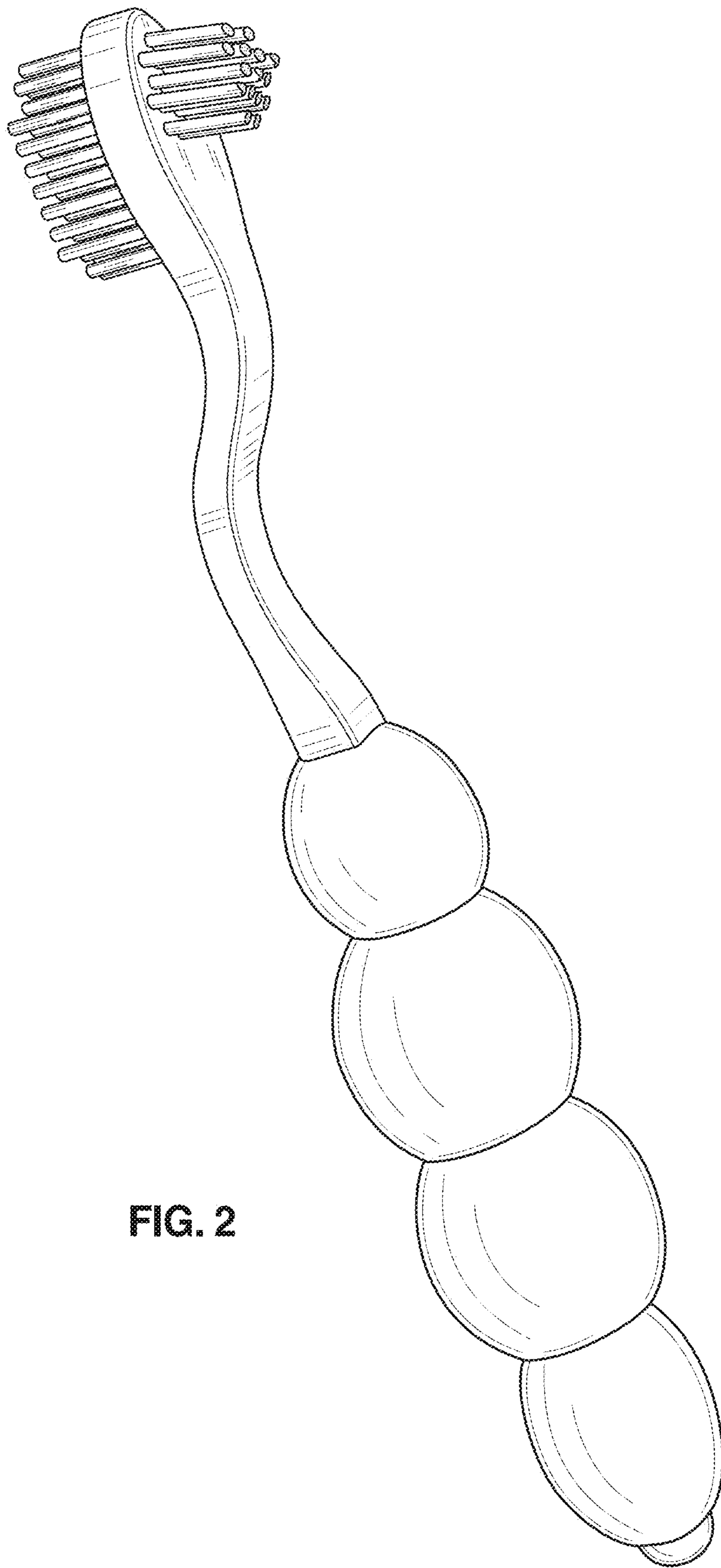
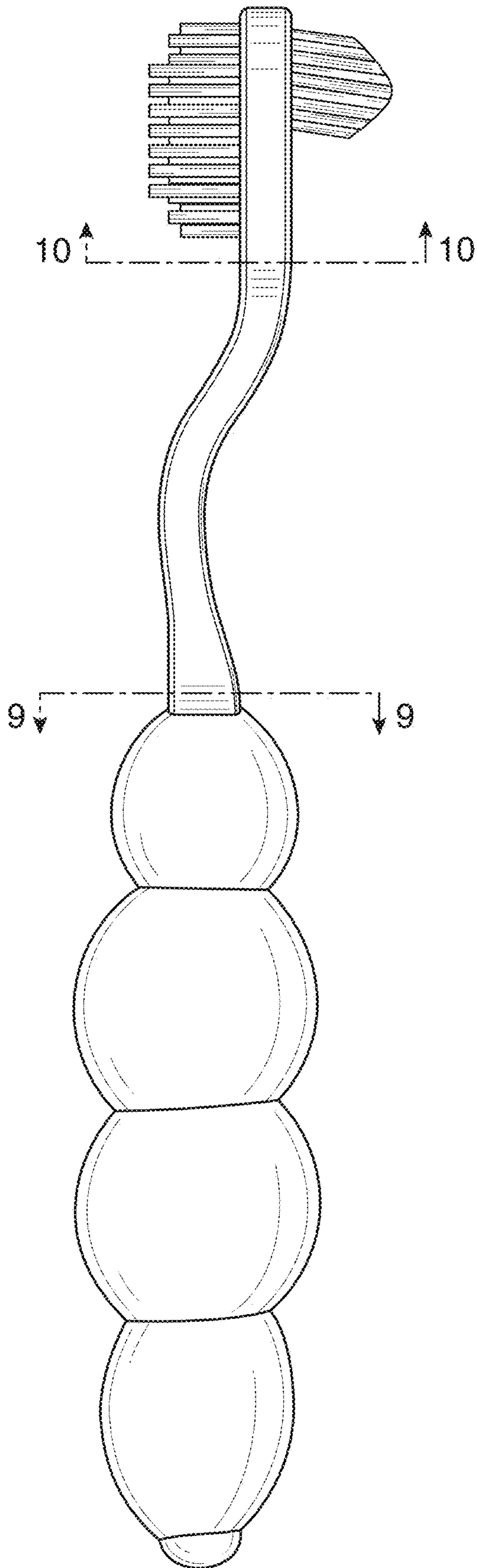


FIG. 2

FIG. 3



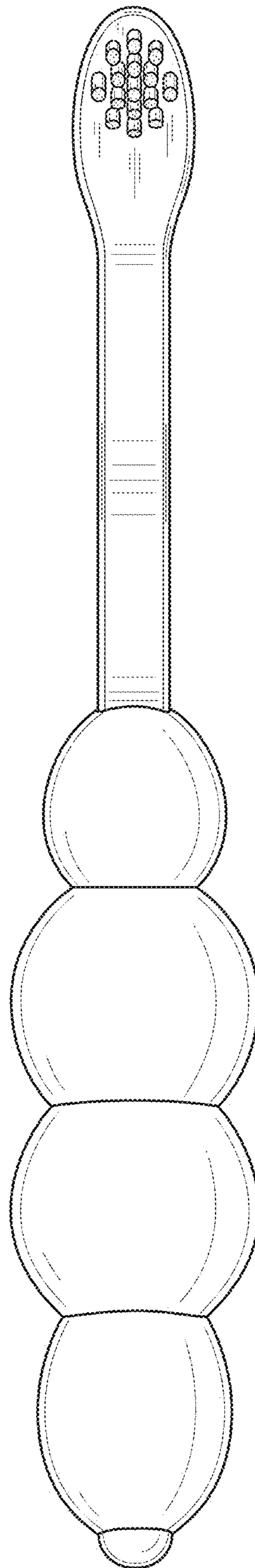


FIG. 4

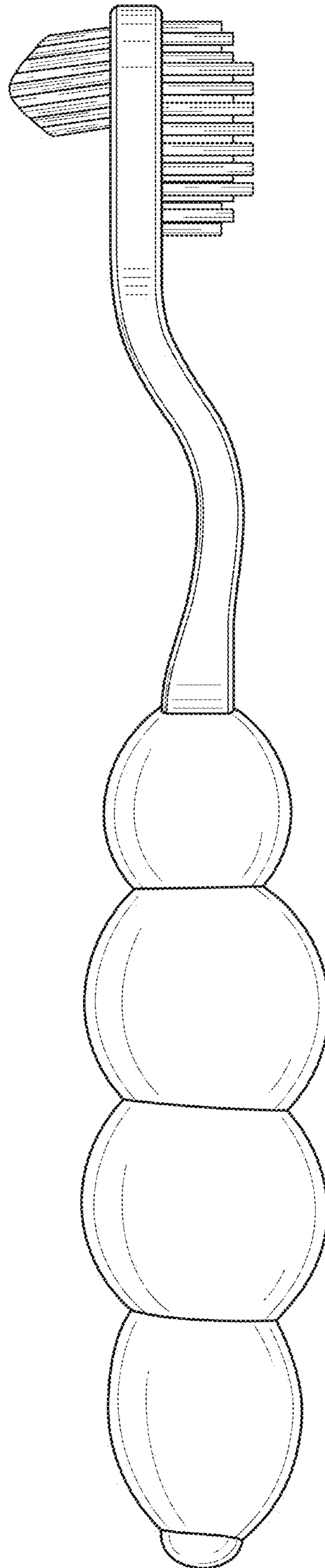


FIG. 5

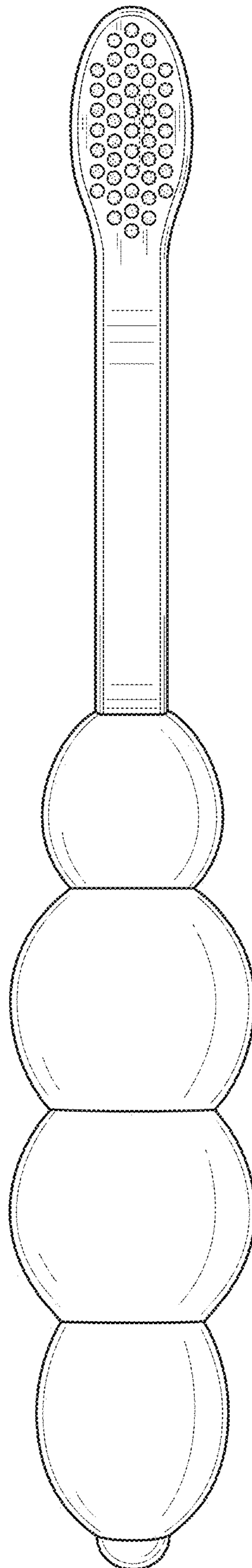


FIG. 6

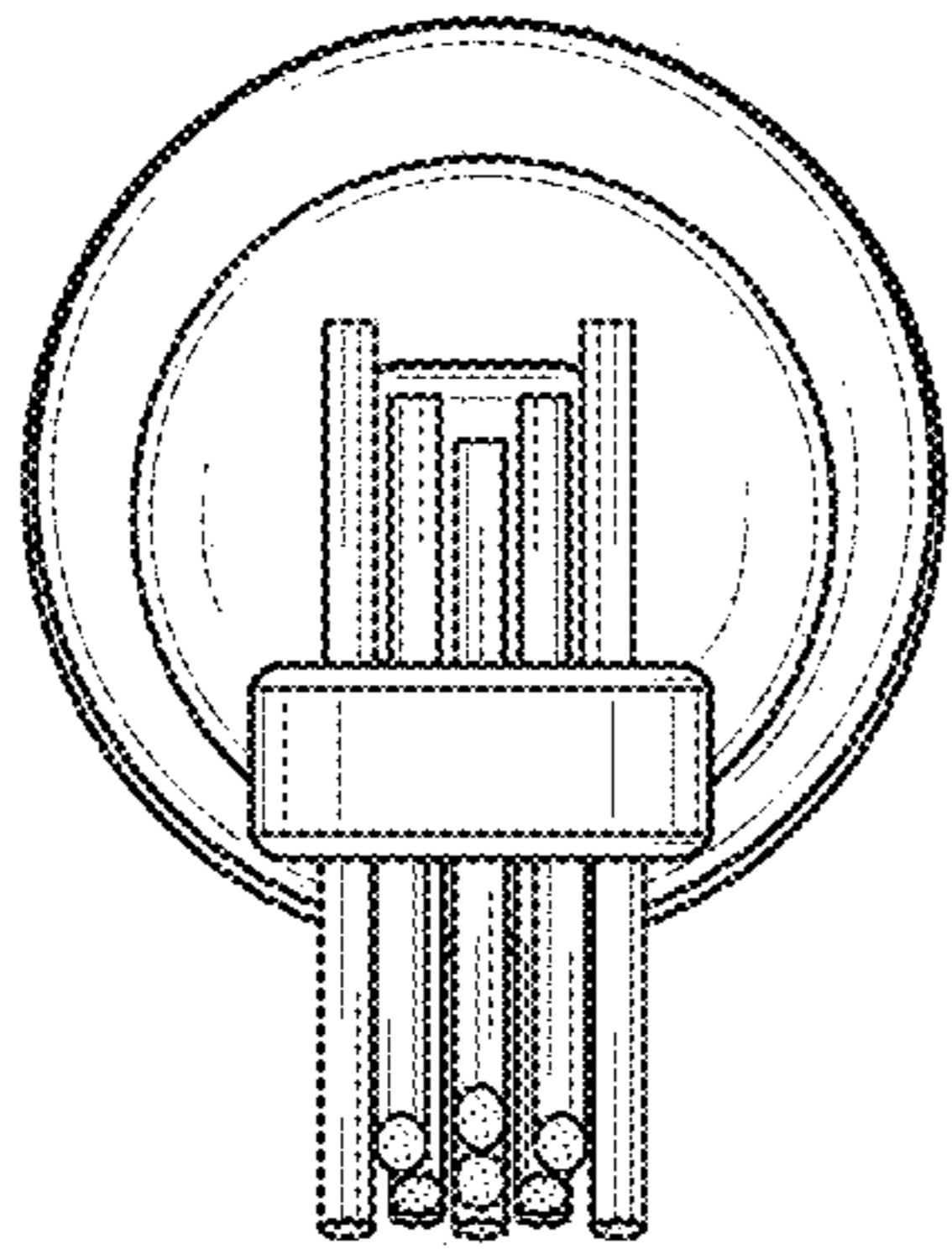


FIG. 7

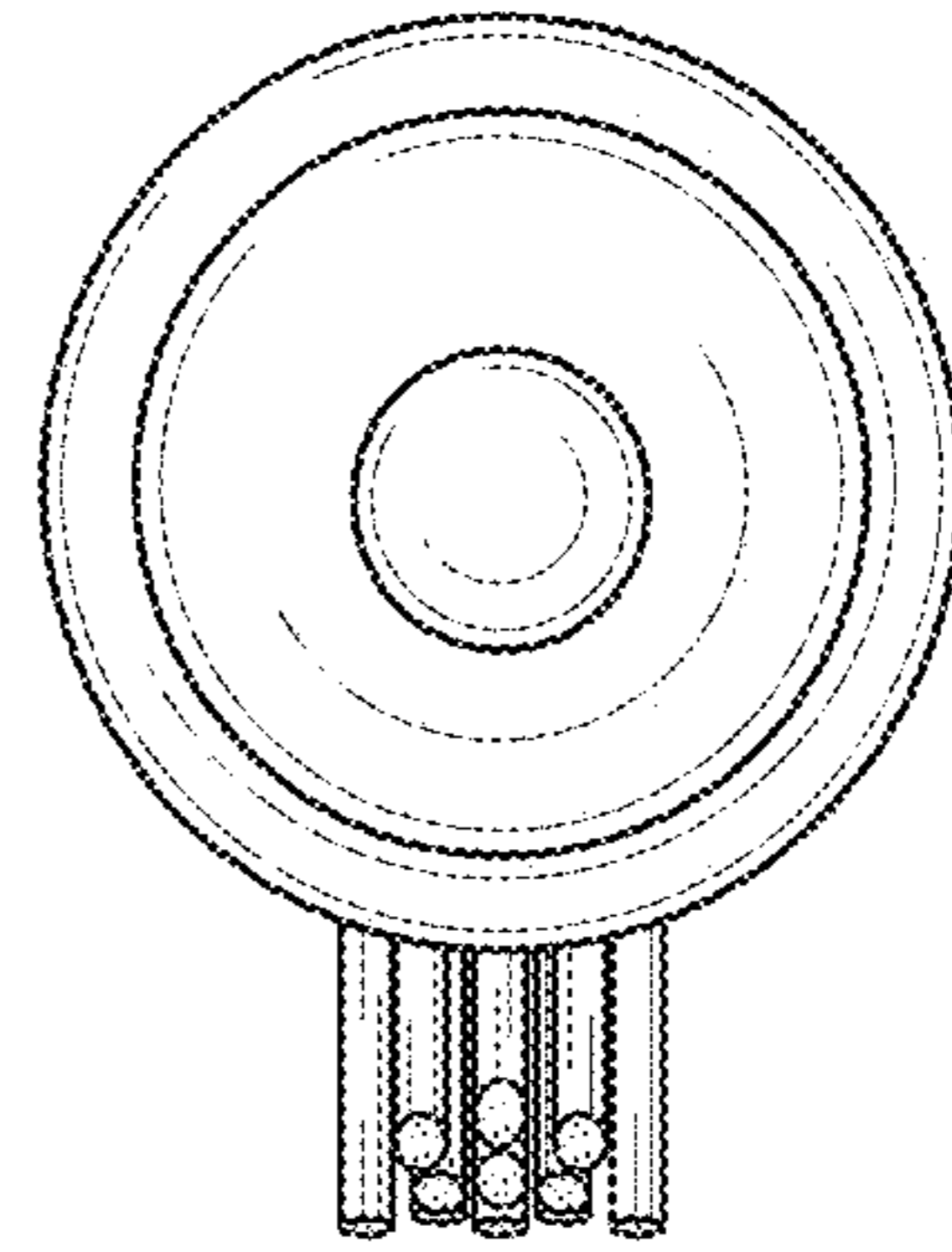


FIG. 8

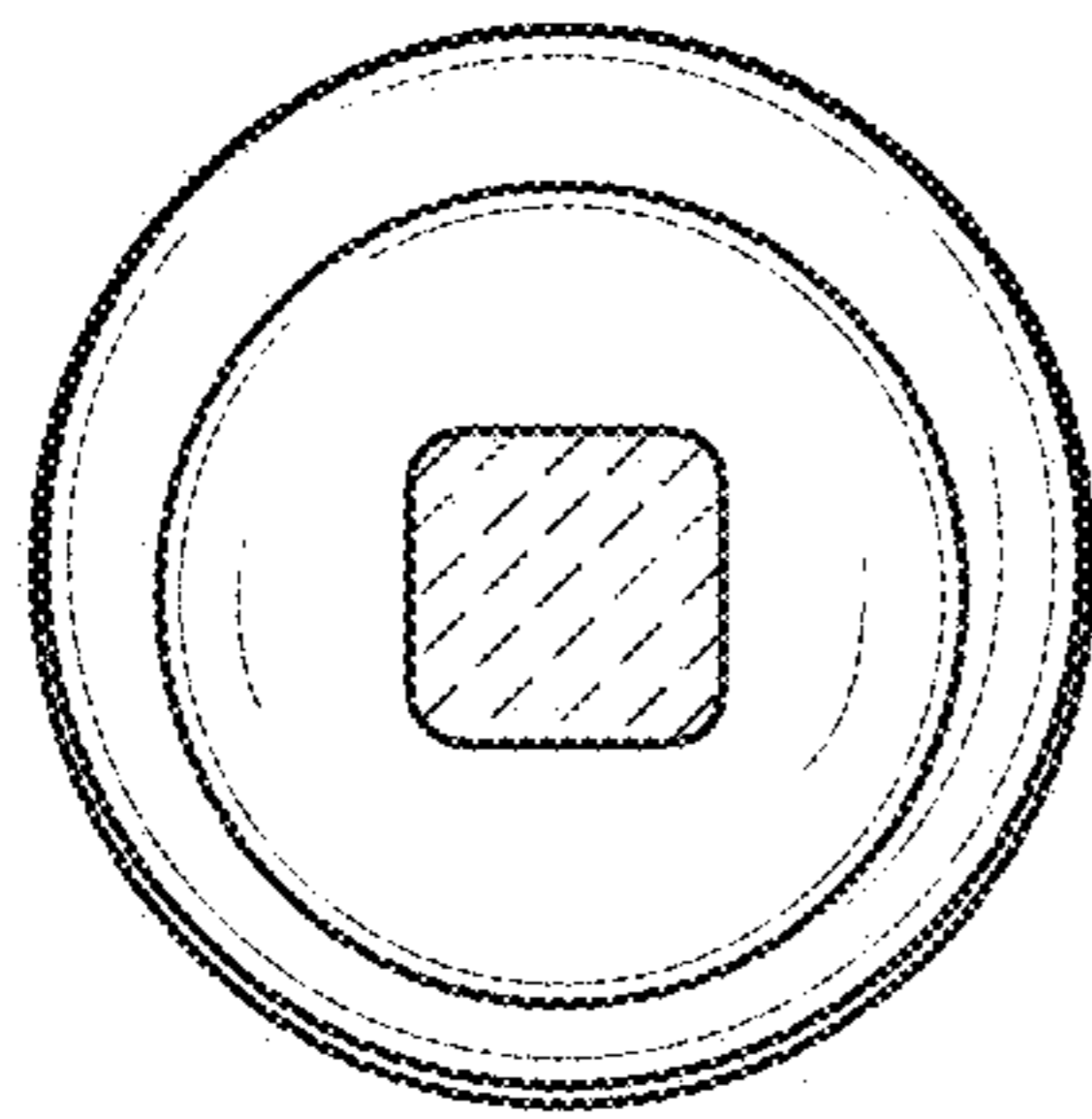


FIG. 9

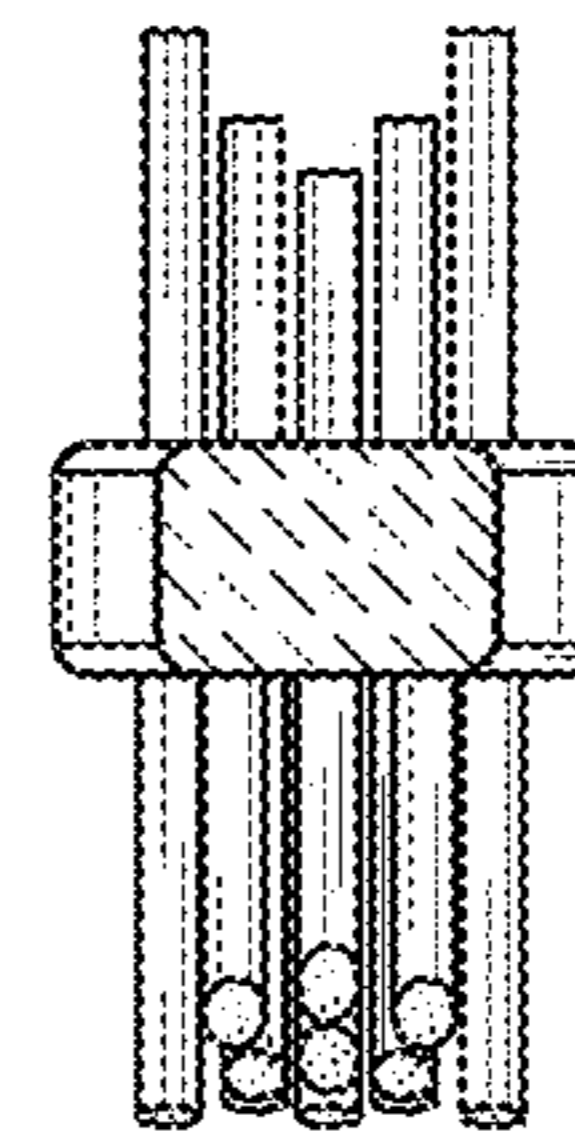


FIG. 10