



US00D935775S

(12) **United States Design Patent**  
**Tsai**

(10) **Patent No.:** **US D935,775 S**

(45) **Date of Patent:** **\*\* Nov. 16, 2021**

(54) **BASKET**

(71) Applicant: **Tsung-Yu Tsai**, Changhua (TW)

(72) Inventor: **Tsung-Yu Tsai**, Changhua (TW)

(\*\*) Term: **15 Years**

(21) Appl. No.: **29/739,456**

(22) Filed: **Jun. 25, 2020**

(51) **LOC (13) Cl.** ..... **03-01**

(52) **U.S. Cl.**  
USPC ..... **D3/306**

(58) **Field of Classification Search**  
USPC ..... D3/304–315; D6/512, 525, 672, 675  
CPC ... B65D 1/00; B65D 1/38; B65D 7/00; B65D  
7/14; B65D 7/20; B65D 21/00  
See application file for complete search history.

(56) **References Cited**

**U.S. PATENT DOCUMENTS**

D323,296 S *	1/1992	Schoenthaler	.....	D3/307
D513,874 S *	1/2006	Hardy	.....	D3/306
D530,918 S *	10/2006	Snell	.....	D3/304
D547,064 S *	7/2007	Snell	.....	D3/304
D555,904 S *	11/2007	Snell	.....	D3/304
D632,080 S *	2/2011	Hardy	.....	D3/306
D712,148 S *	9/2014	Ghiorgie	.....	D3/304
D713,146 S *	9/2014	Ghiorgie	.....	D3/304

D766,345 S *	9/2016	Lee	.....	D15/89
D792,759 S *	7/2017	Foster	.....	D9/424
D817,641 S *	5/2018	Yeh	.....	D3/313
D834,314 S *	11/2018	Nicoline	.....	D3/304
D891,777 S *	8/2020	Newton	.....	D3/304
D922,072 S *	6/2021	Hazelton	.....	D3/304

\* cited by examiner

*Primary Examiner* — Kelley A Donnelly

(74) *Attorney, Agent, or Firm* — Muncy, Geissler, Olds & Lowe, P.C.

(57) **CLAIM**

The ornamental design for a basket, as shown and described.

**DESCRIPTION**

FIG. 1 is a top front perspective view of a basket, showing the new design;

FIG. 2 is a front elevational view thereof;

FIG. 3 is a rear elevational view thereof;

FIG. 4 is a left side elevational view thereof;

FIG. 5 is a right side elevational view thereof;

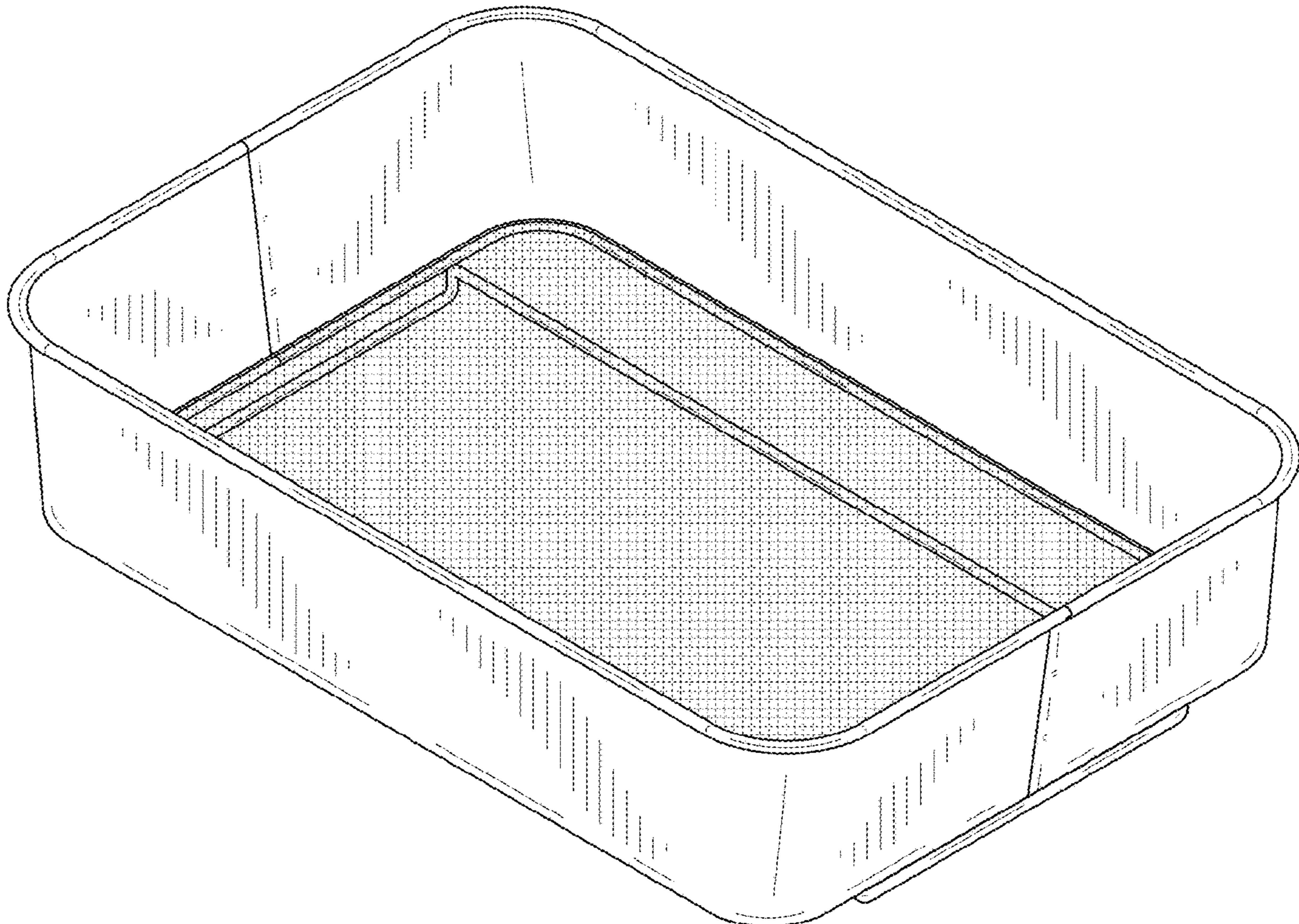
FIG. 6 is a top plan view thereof; and,

FIG. 7 is a bottom plan view thereof; and,

FIG. 8 is a top front perspective reference view thereof showing the basket in an environment in which it may be used.

The broken lines in the FIG. 8 show portions of the basket and environment that form no part of the claimed design.

**1 Claim, 8 Drawing Sheets**



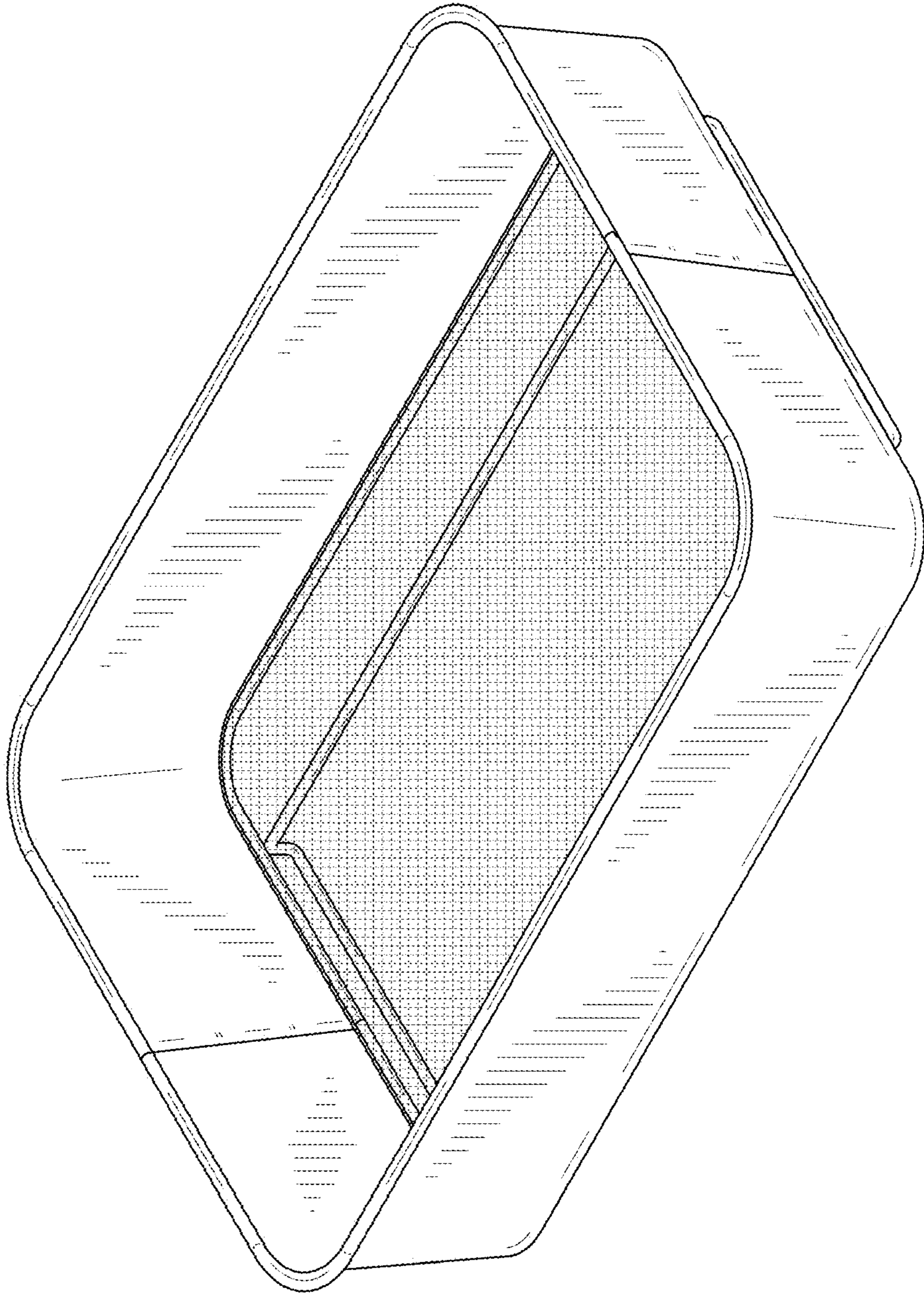


FIG. 1

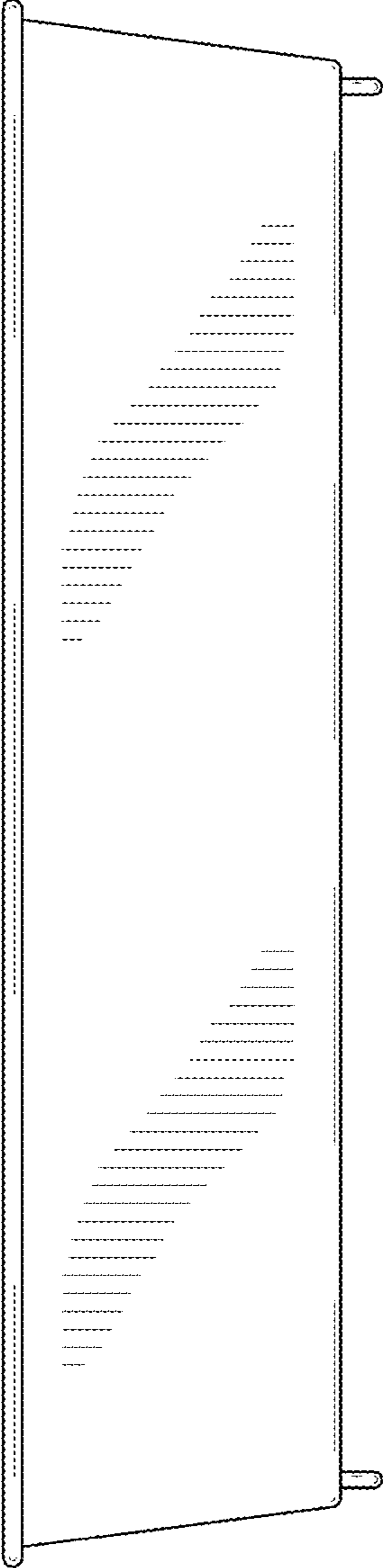


FIG. 2

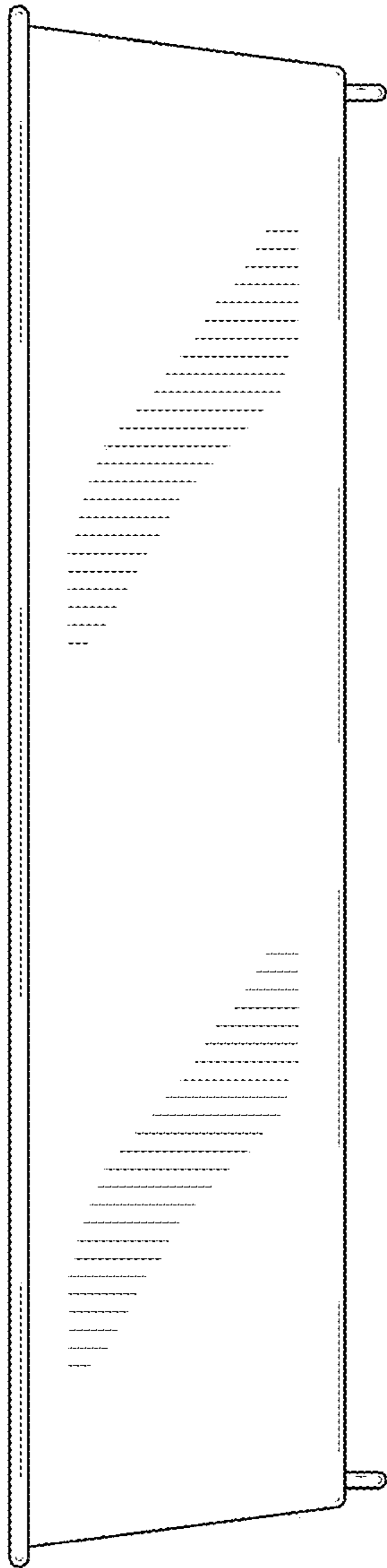


FIG. 3

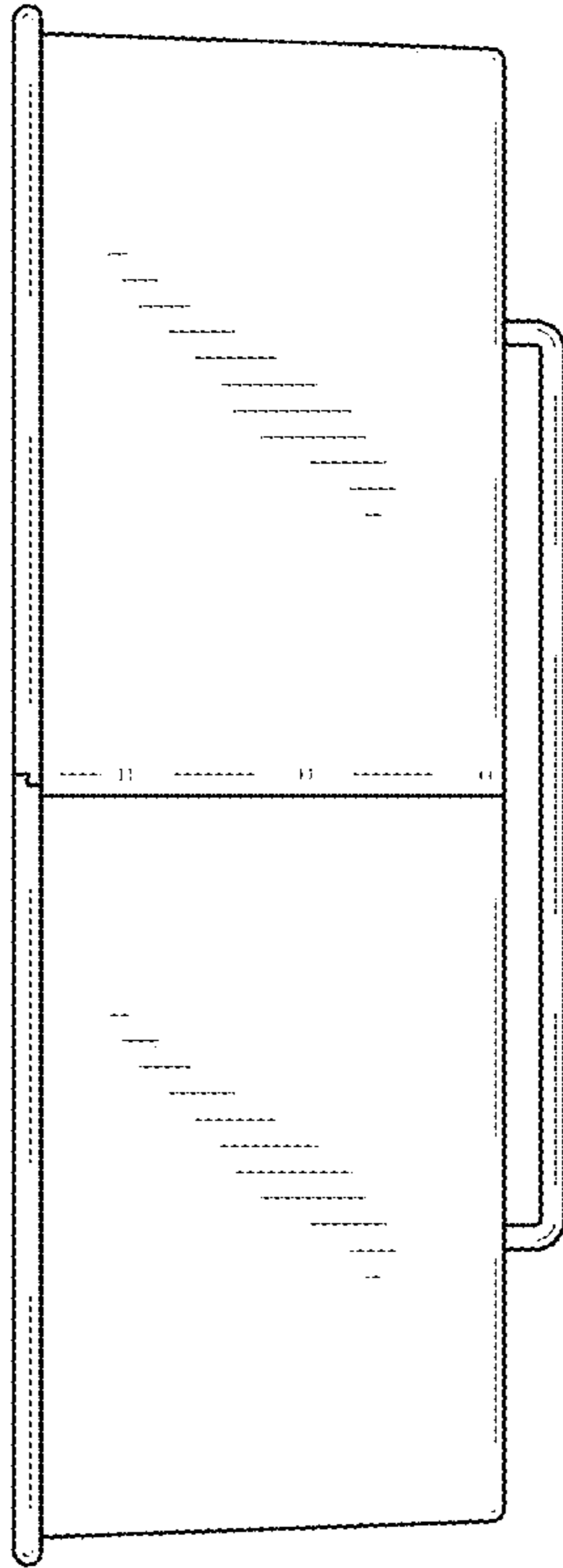


FIG. 4

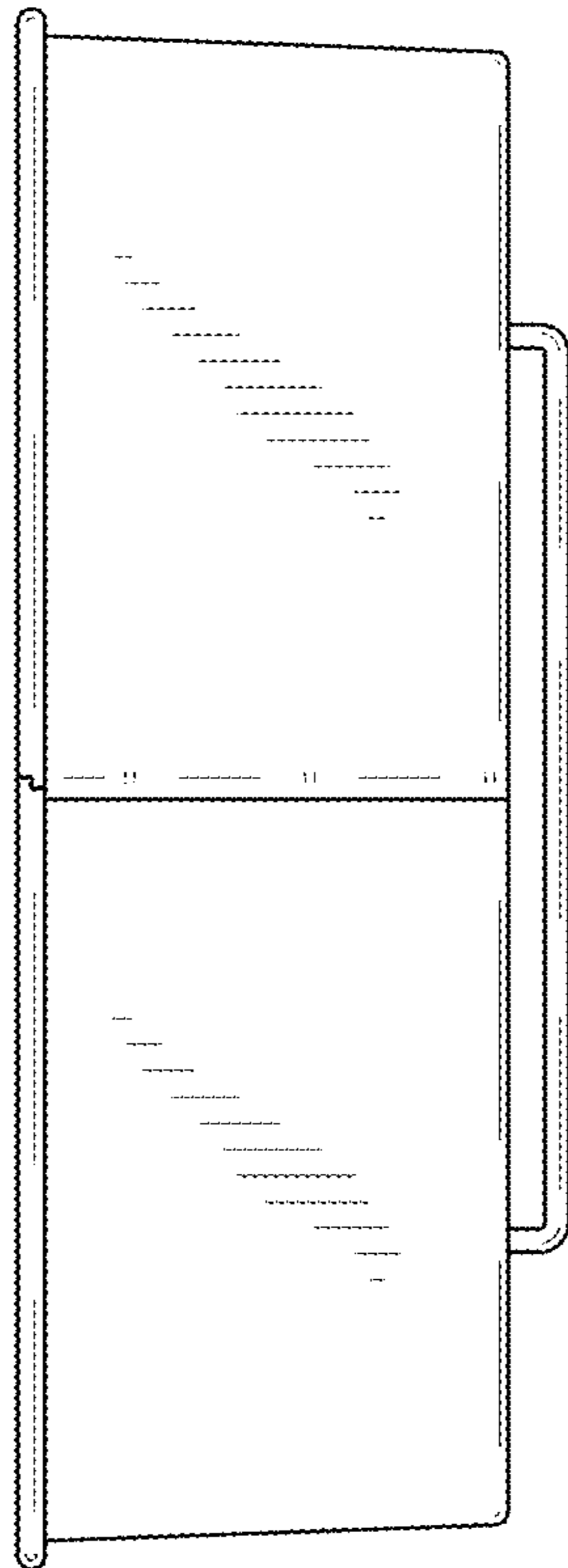


FIG. 5

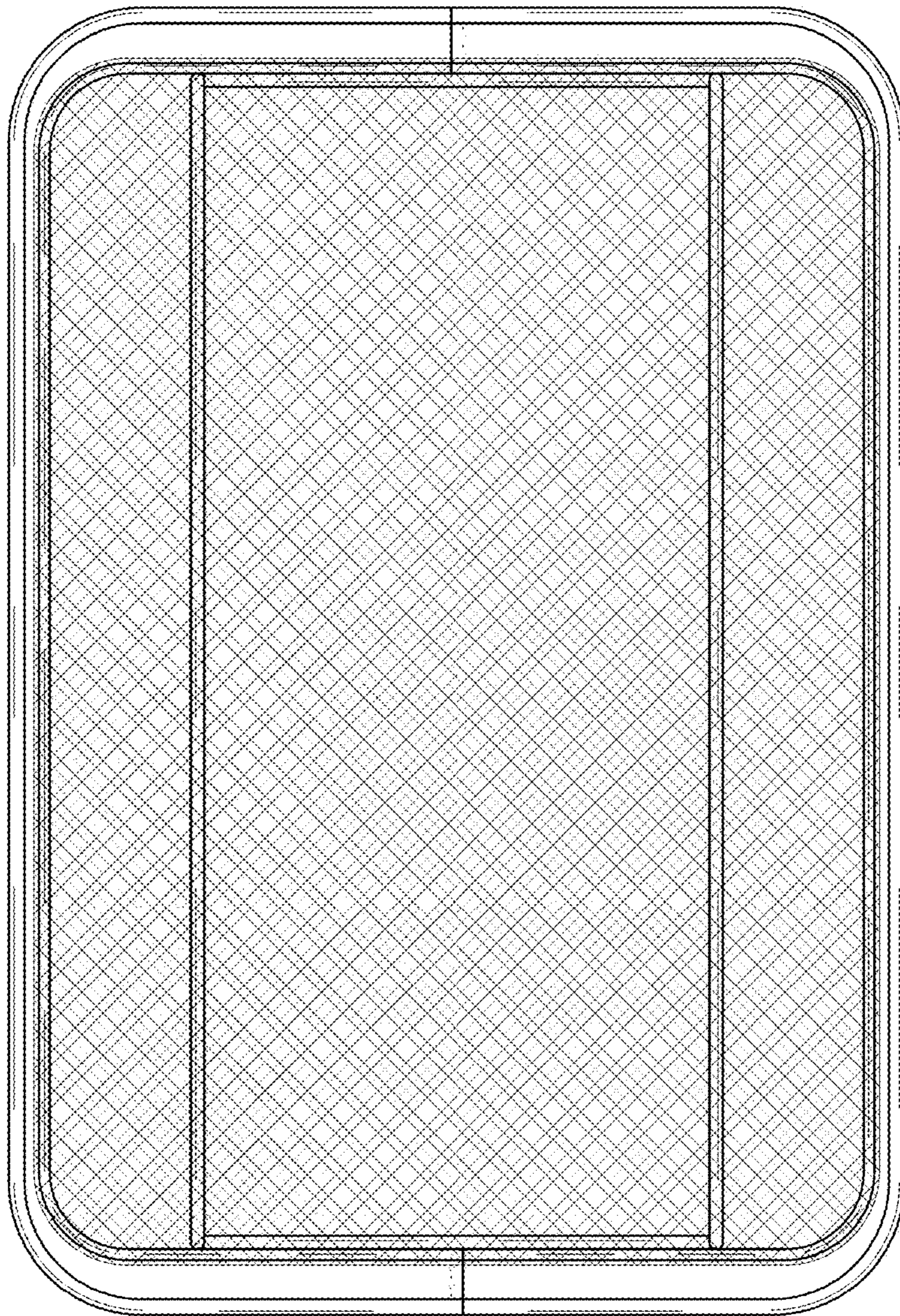


FIG. 6

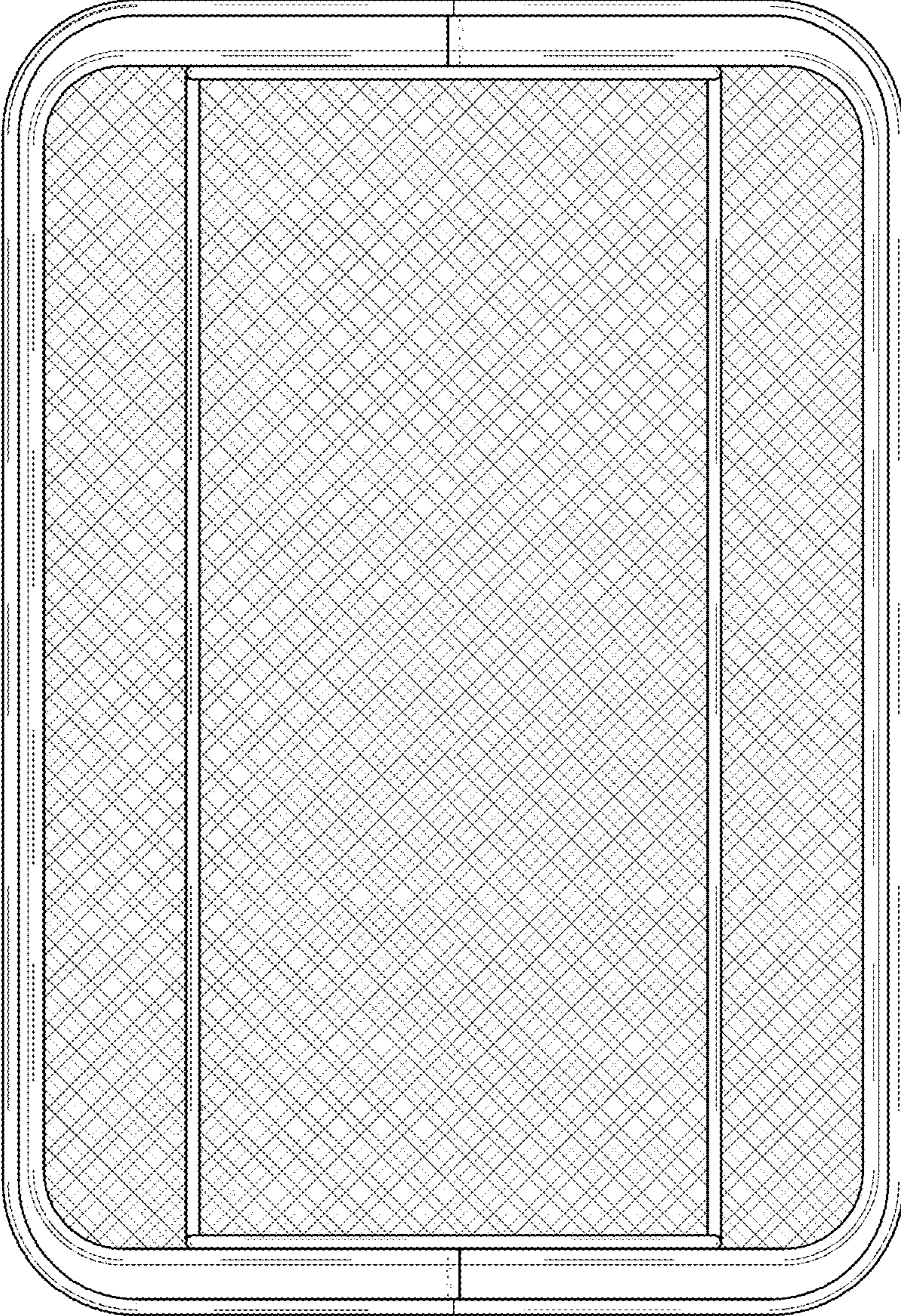


FIG. 7



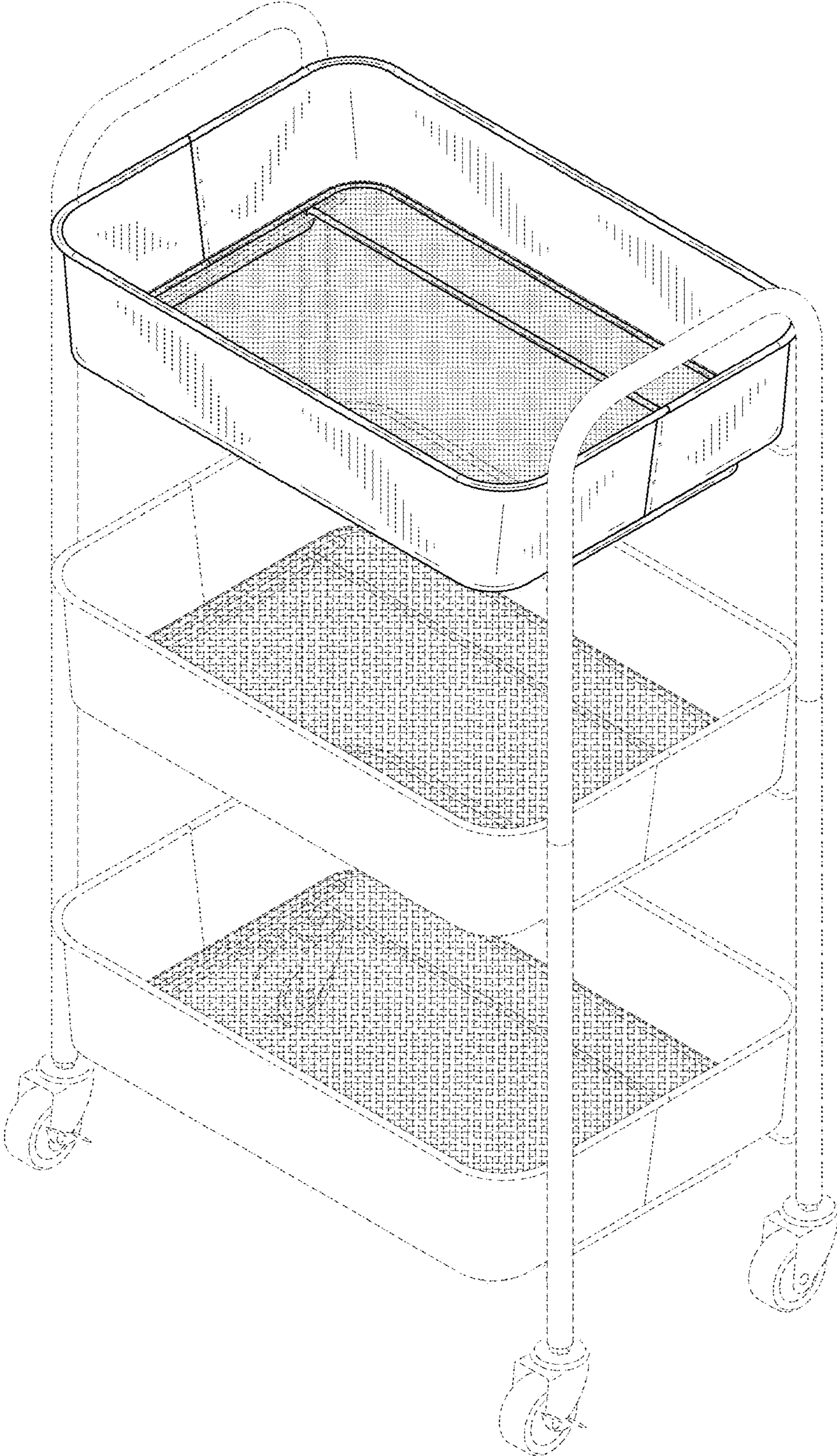


FIG. 8