



US00D935773S

(12) **United States Design Patent** (10) **Patent No.:** **US D935,773 S**  
**Fuller** (45) **Date of Patent:** **\*\* Nov. 16, 2021**

(54) **ACCESSORY CASE**

(71) Applicant: **Black Diamond Group, Inc.**, Woburn, MA (US)

(72) Inventor: **Sue Fuller**, Birmingham, MI (US)

(73) Assignee: **Black Diamond Group, Inc.**, Woburn, MA (US)

(\*\*) Term: **15 Years**

(21) Appl. No.: **29/705,786**

(22) Filed: **Sep. 16, 2019**

(51) **LOC (13) Cl.** ..... **03-01**

(52) **U.S. Cl.**  
USPC ..... **D3/303**

(58) **Field of Classification Search**  
USPC ..... D3/227, 273, 276, 277, 284, 285, 289,  
D3/305, 303, 307, 309, 311, 314, 319,  
D3/219, 226, 265, 266; D7/607, 608  
CPC ..... A45C 11/04; A45C 11/00  
See application file for complete search history.

(56) **References Cited**

**U.S. PATENT DOCUMENTS**

D490,660	S	*	6/2004	Laird	.....	D3/226
D495,875	S	*	9/2004	Spence, Jr.	.....	D3/229
D576,433	S	*	9/2008	Che	.....	D30/153
D610,809	S	*	3/2010	Lown	.....	D3/303
D640,900	S	*	7/2011	Jesseph	.....	D7/607
D646,481	S	*	10/2011	Taylor	.....	D3/266
8,590,698	B1	*	11/2013	Osborne	.....	A45C 11/04 206/5
D771,369	S	*	11/2016	Willows	.....	D3/202
D804,180	S	*	12/2017	Huang	.....	D3/303
D829,406	S	*	10/2018	Corona	.....	D2/610
D917,884	S	*	5/2021	Seeger	.....	D3/303

**OTHER PUBLICATIONS**

Levenger, "Double Eyeglass Case", Oldest review posted "3 years ago" est. 2019. Accessed Aug. 23, 2021. (<https://www.levenger.com/double-eyeglass-case-16287.aspx>) (Year: 2019).\*  
Facebook, "Oliver Thomas photo post", Jan. 28, 2020. (<https://www.facebook.com/theoliverthomas/photos/a.178248759393580/568350663716719/?type=3&theater>) (Year: 2020).\*

(Continued)

*Primary Examiner* — April Rivas

(74) *Attorney, Agent, or Firm* — Pierce Atwood LLP; Kevin M. Farrell; Shannon Vittengl

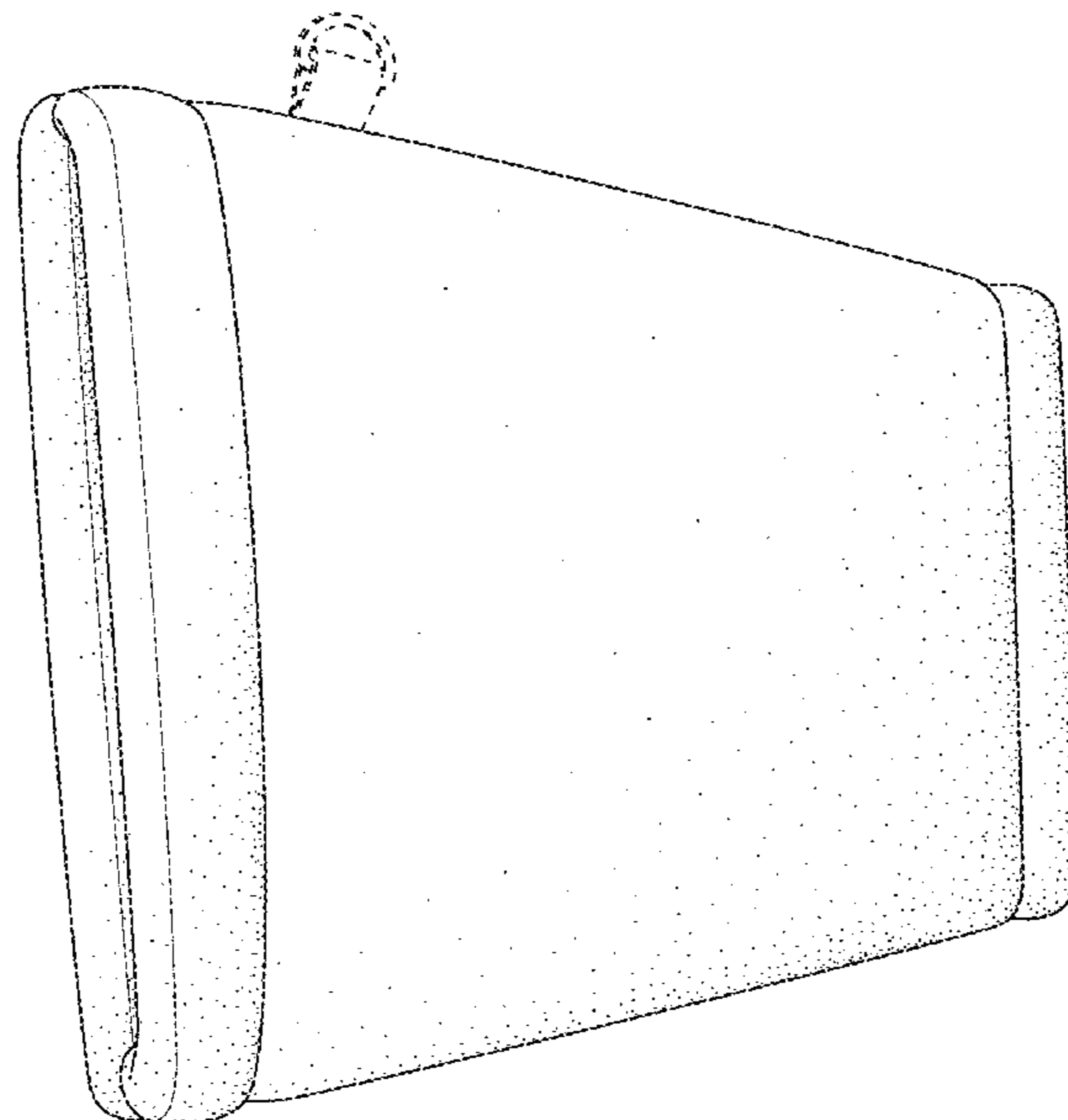
(57) **CLAIM**

The ornamental design for an accessory case, as shown and described.

**DESCRIPTION**

FIG. 1 is a top right perspective view of an accessory case showing our new design with a first pocket for holding a first accessory shown in a closed position;  
FIG. 2 is a top left perspective view of the accessory case thereof with a second pocket for holding a second accessory shown in a closed position;  
FIG. 3 is the top plan view thereof;  
FIG. 4 is the bottom plan view thereof;  
FIG. 5 is a right side elevation view thereof;  
FIG. 6 is a left side elevation view thereof;  
FIG. 7 is a rear elevation view thereof;  
FIG. 8 is a front elevation view thereof;  
FIG. 9 is a top right perspective view of the accessory case thereof with the first pocket shown in an open position to receive a first accessory; and,  
FIG. 10 is a top left perspective view of the accessory case thereof with a second pocket shown in an open position to receive a second accessory.  
The broken lines in the drawings depict portions of the accessory case that form no part of the claimed design.

**1 Claim, 8 Drawing Sheets**



(56)

**References Cited**

OTHER PUBLICATIONS

Life Catalogue: Picture Book of World High-Quality Items, 1985; vol. 23; p. 237 (The JPO, Design Division, Publicly Known Material No. HA12036771).

Mono Magazine: No. 18; vol. 28; 2009; p. 19 (The JPO, Design Division, Publicly Known Material No. HA21005477).

Anglobal Ltd: Home Page set up, 1320296021 (The JPO, Design Division, Publicly Known Material No. HJ26056110).

Sanwa Supply Inc.: Home Page set up, IN-AMAC13P (The JPO, Design Division, Publicly Known Material No. HJ24011713).

\* cited by examiner

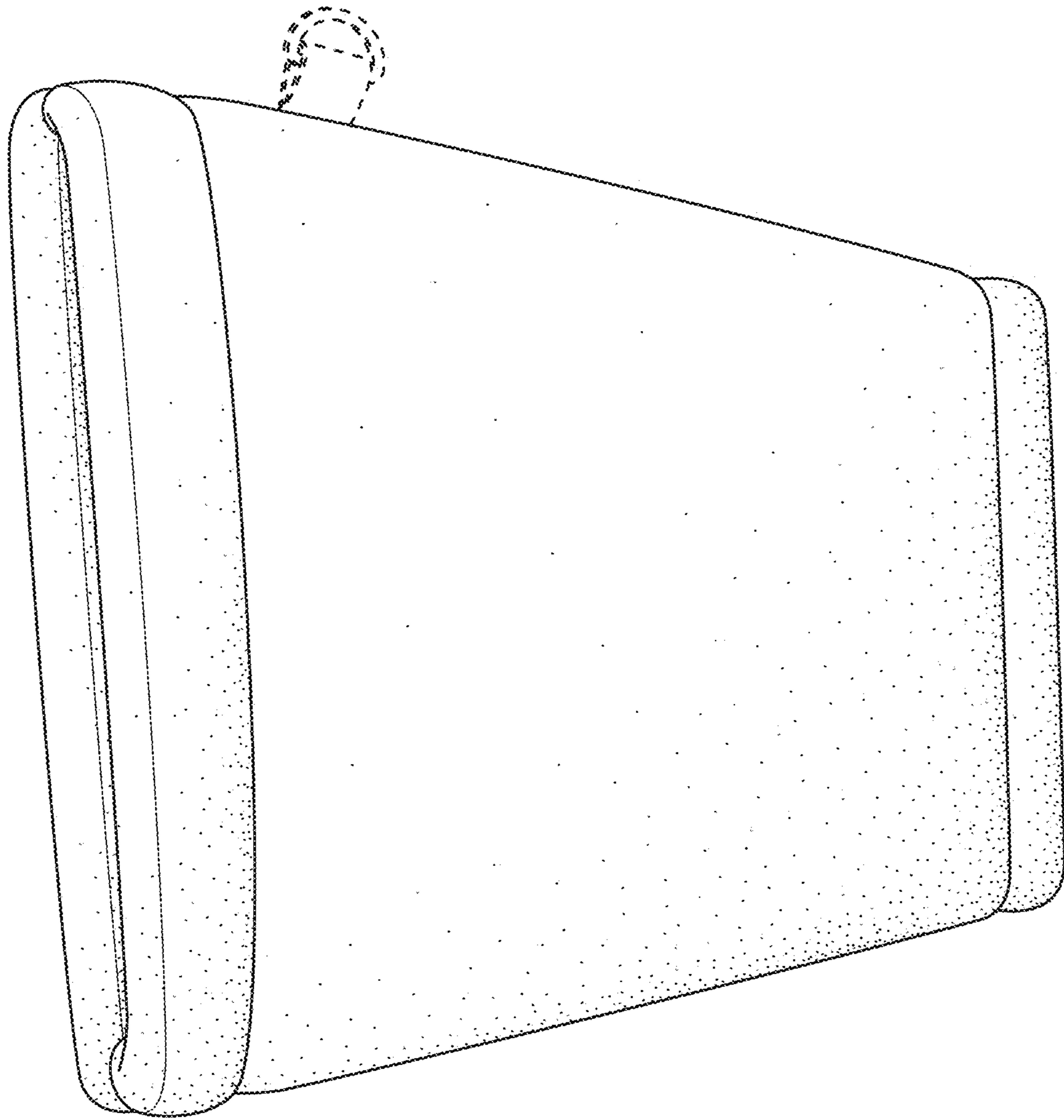


FIG. 1

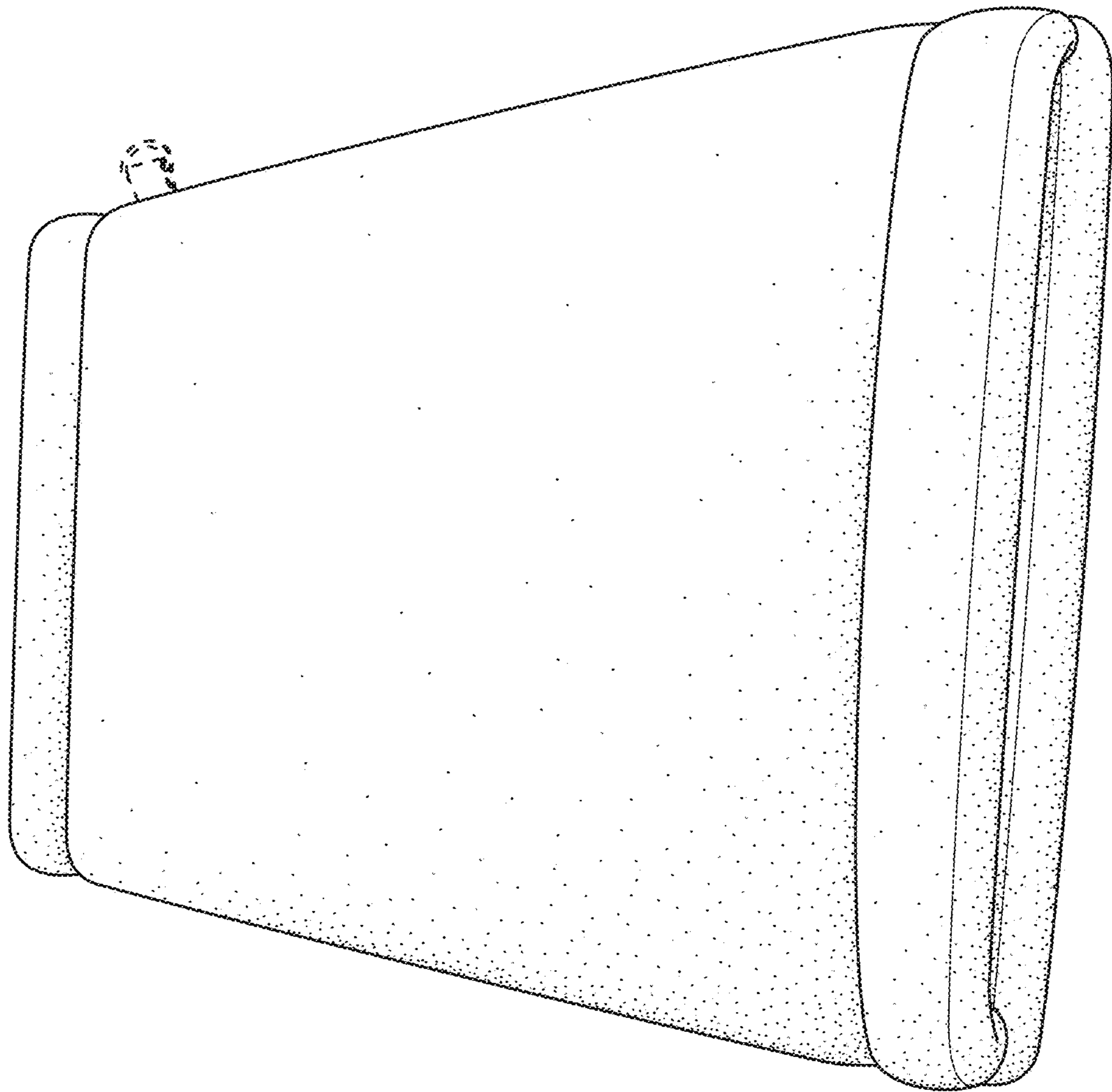


FIG. 2

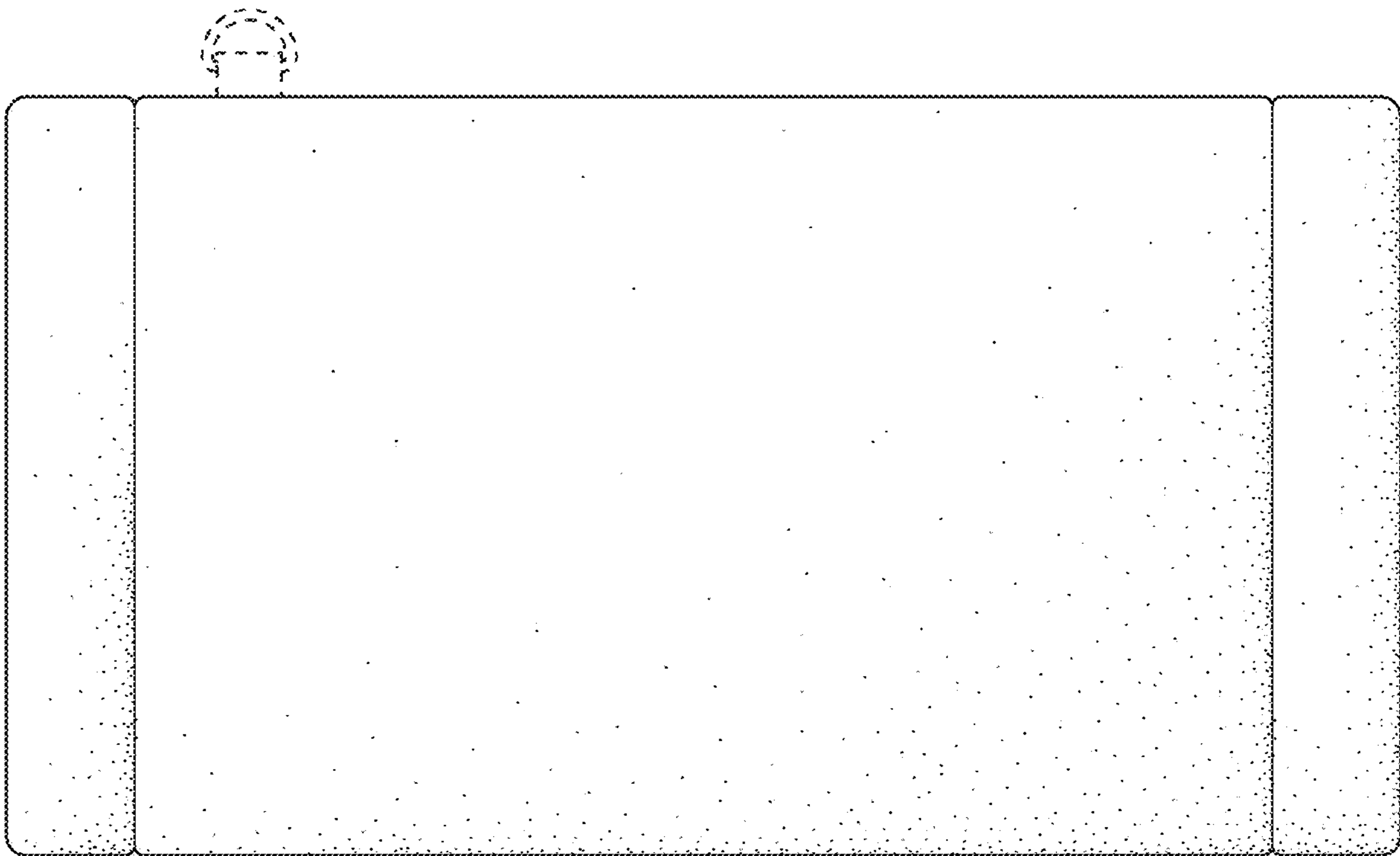


FIG. 3

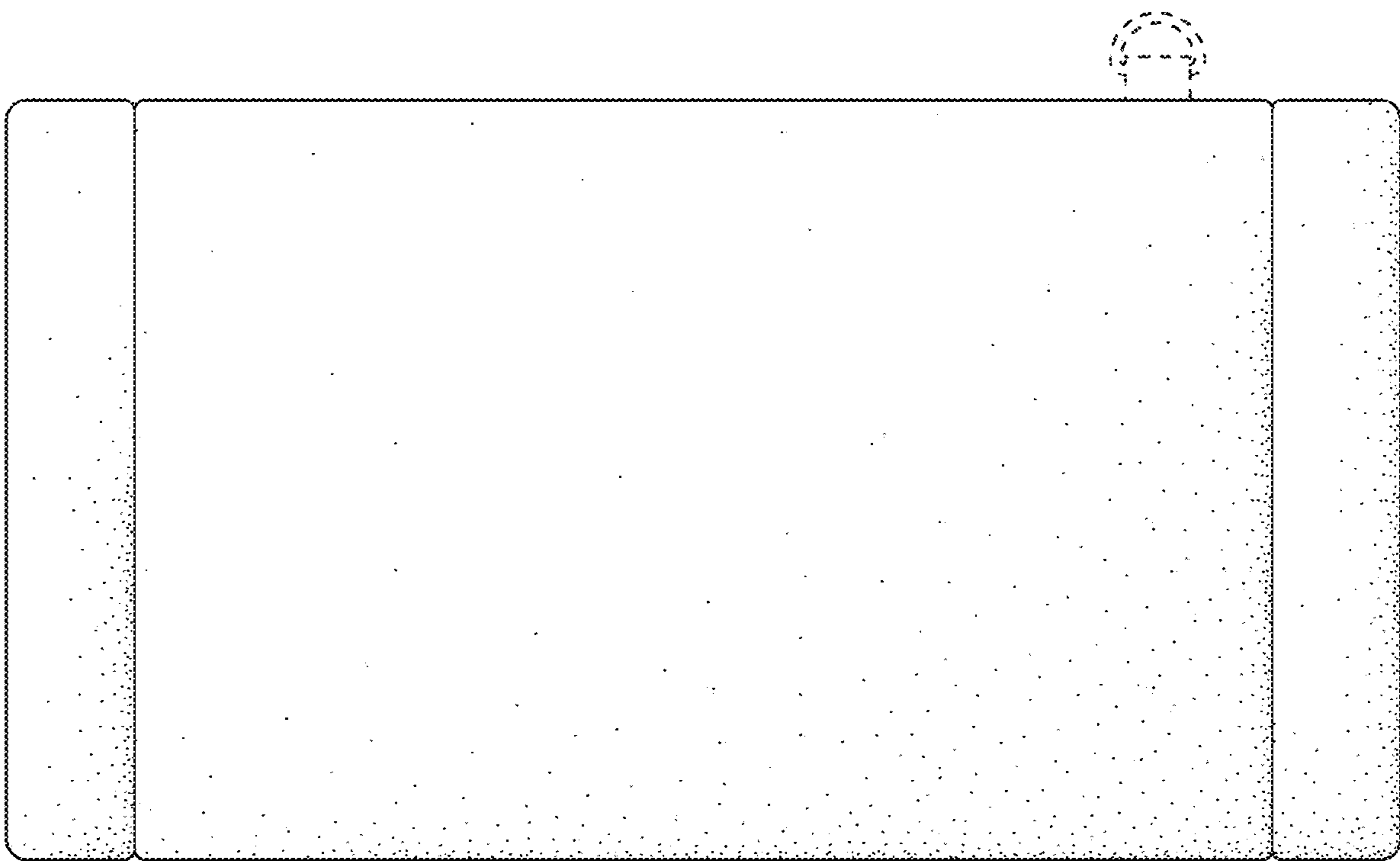


FIG. 4

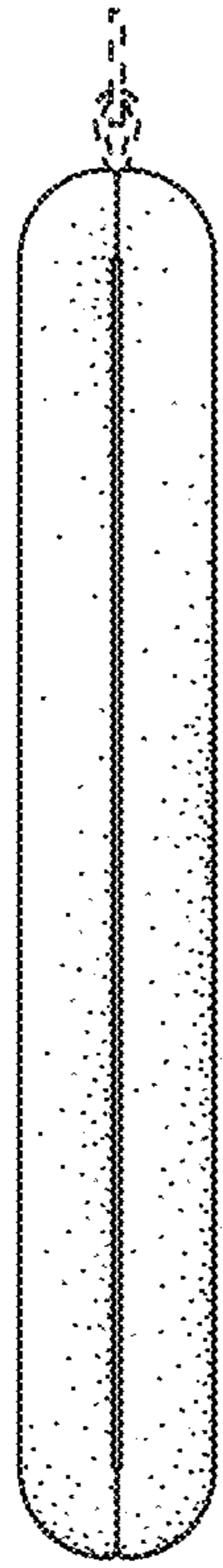


FIG. 5

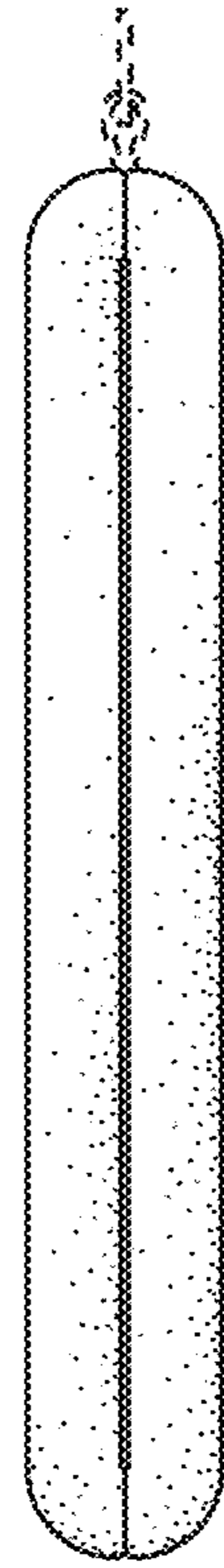


FIG. 6

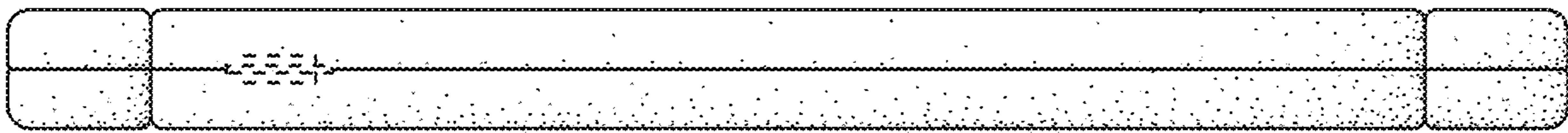


FIG. 7

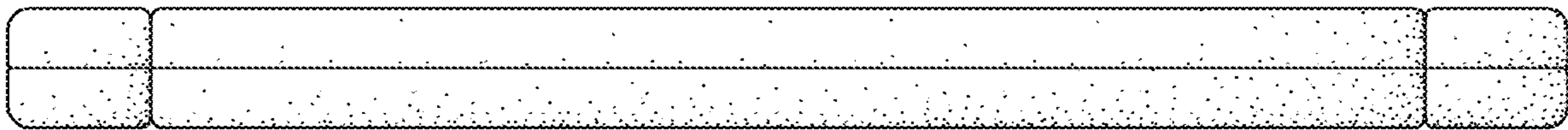


FIG. 8



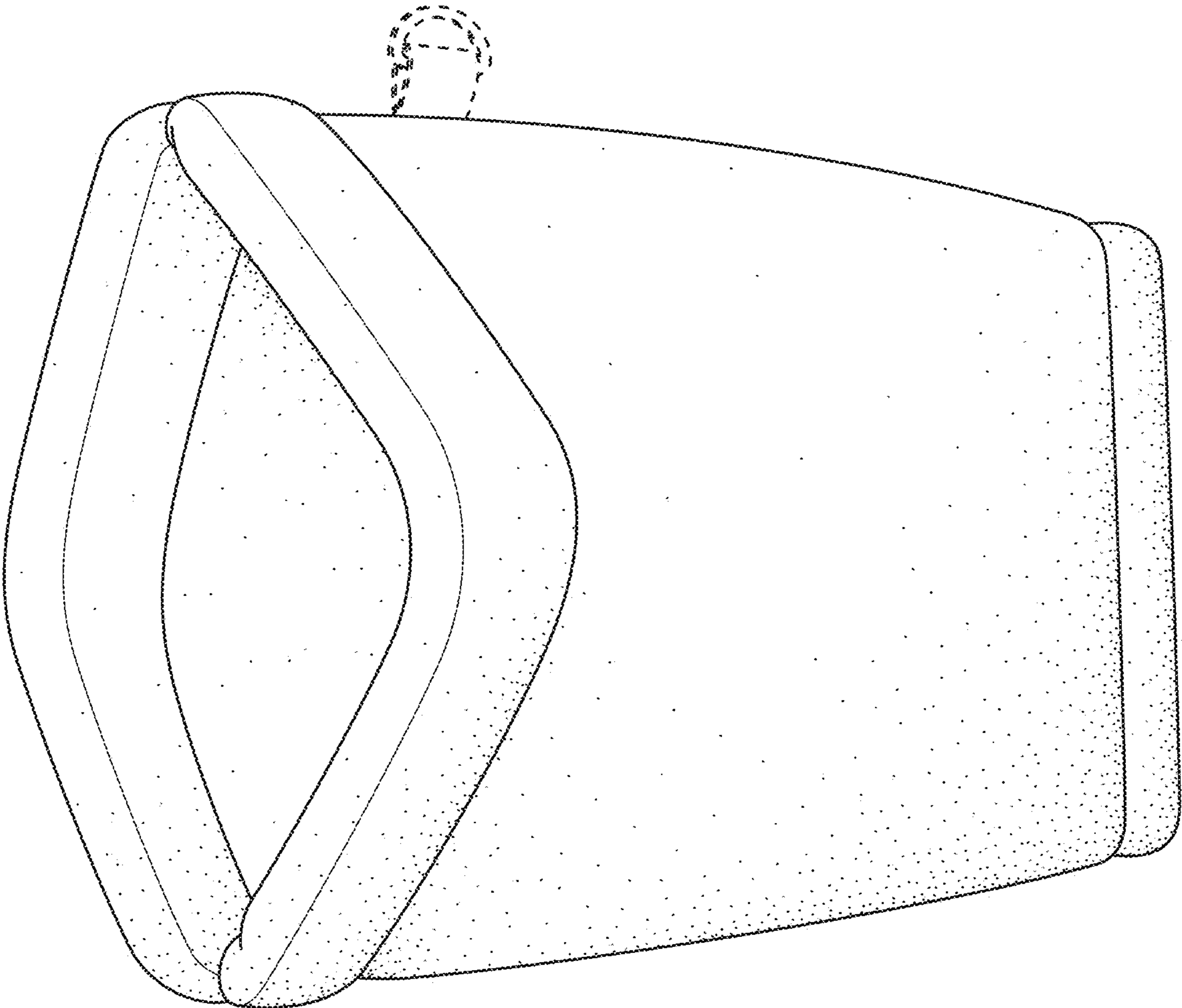


FIG. 9

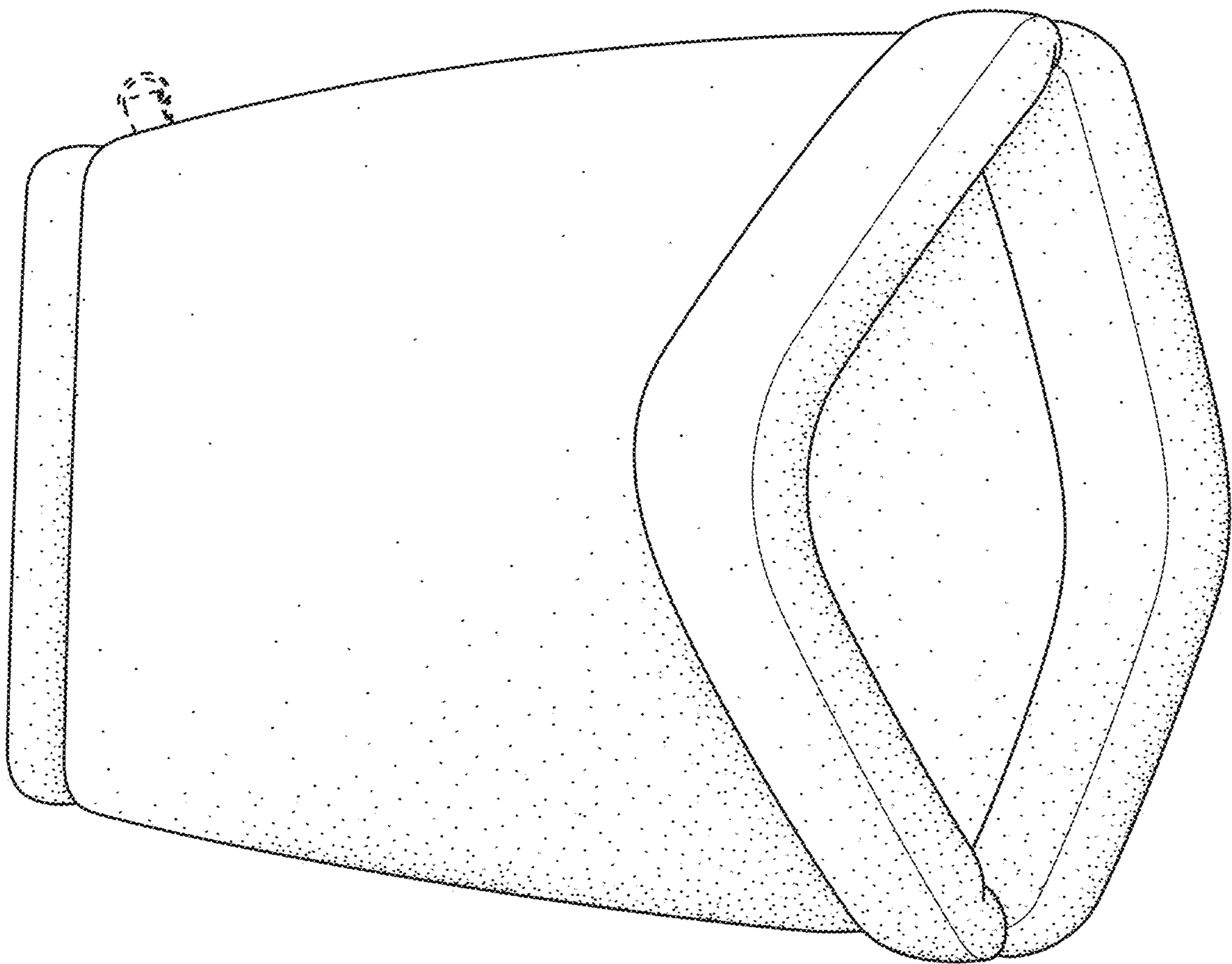


FIG. 10