



US00D935770S

(12) **United States Design Patent** (10) **Patent No.:** **US D935,770 S**  
**Loudenslager et al.** (45) **Date of Patent:** **\*\* Nov. 16, 2021**

(54) **BAG**

FOREIGN PATENT DOCUMENTS

(71) Applicant: **YETI Coolers, LLC**, Austin, TX (US)

CA 179459 A 9/1917  
CA 170760 7/2017

(72) Inventors: **John Loudenslager**, Austin, TX (US);  
**Alex Baires**, Austin, TX (US); **Derek G. Sullivan**, Austin, TX (US); **Kyle Edward Rogers**, Austin, TX (US)

(Continued)

(73) Assignee: **YETI Coolers, LLC**, Austin, TX (US)

OTHER PUBLICATIONS

(\*\*) Term: **15 Years**

B&H, "Clik Elite Schulter Shoulder Bag", First reviewed Aug. 2, 2012. ([https://www.bhphotovideo.com/c/product/828772-REG/Clik\\_Elite\\_CE733GR\\_Schulter\\_Shoulder\\_Bag\\_Gray.html/reviews](https://www.bhphotovideo.com/c/product/828772-REG/Clik_Elite_CE733GR_Schulter_Shoulder_Bag_Gray.html/reviews)) (Year: 2012).\*

(21) Appl. No.: **29/767,506**

(Continued)

(22) Filed: **Jan. 22, 2021**

*Primary Examiner* — April Rivas

(74) *Attorney, Agent, or Firm* — Banner & Witcoff, Ltd.

**Related U.S. Application Data**

(63) Continuation of application No. 29/682,956, filed on Mar. 8, 2019, now Pat. No. Des. 909,063.

(57) **CLAIM**

(51) **LOC (13) Cl.** ..... **03-01**

The ornamental design for a bag, as shown and described.

(52) **U.S. Cl.**

USPC ..... **D3/290; D7/607**

(58) **Field of Classification Search**

USPC ..... D3/201, 217, 273, 276, 279, 283, 285,  
D3/289, 290, 900, 902, 905, 257, 258;  
D7/605, 607

CPC ..... A45C 2003/008; A45C 2005/035; B25H  
3/02

See application file for complete search history.

**DESCRIPTION**

FIG. 1 is a top, front, right perspective view of a bag showing our new design;

FIG. 2 is a top, front, right perspective view of an alternative claimed configuration of a bag thereof;

FIG. 3 is a top, front, right perspective view of an alternative claimed configuration of a bag thereof;

FIG. 4 is a front view thereof;

FIG. 5. is a rear view thereof;

FIG. 6 is a left side view thereof;

FIG. 7 is a right side view thereof;

FIG. 8 is a top view thereof; and,

FIG. 9 is a bottom view thereof.

The even-length broken lines and zig-zag lines represent stitching and form part of the claimed design. The broken lines immediately adjacent to the shaded area represent unclaimed subject matter.

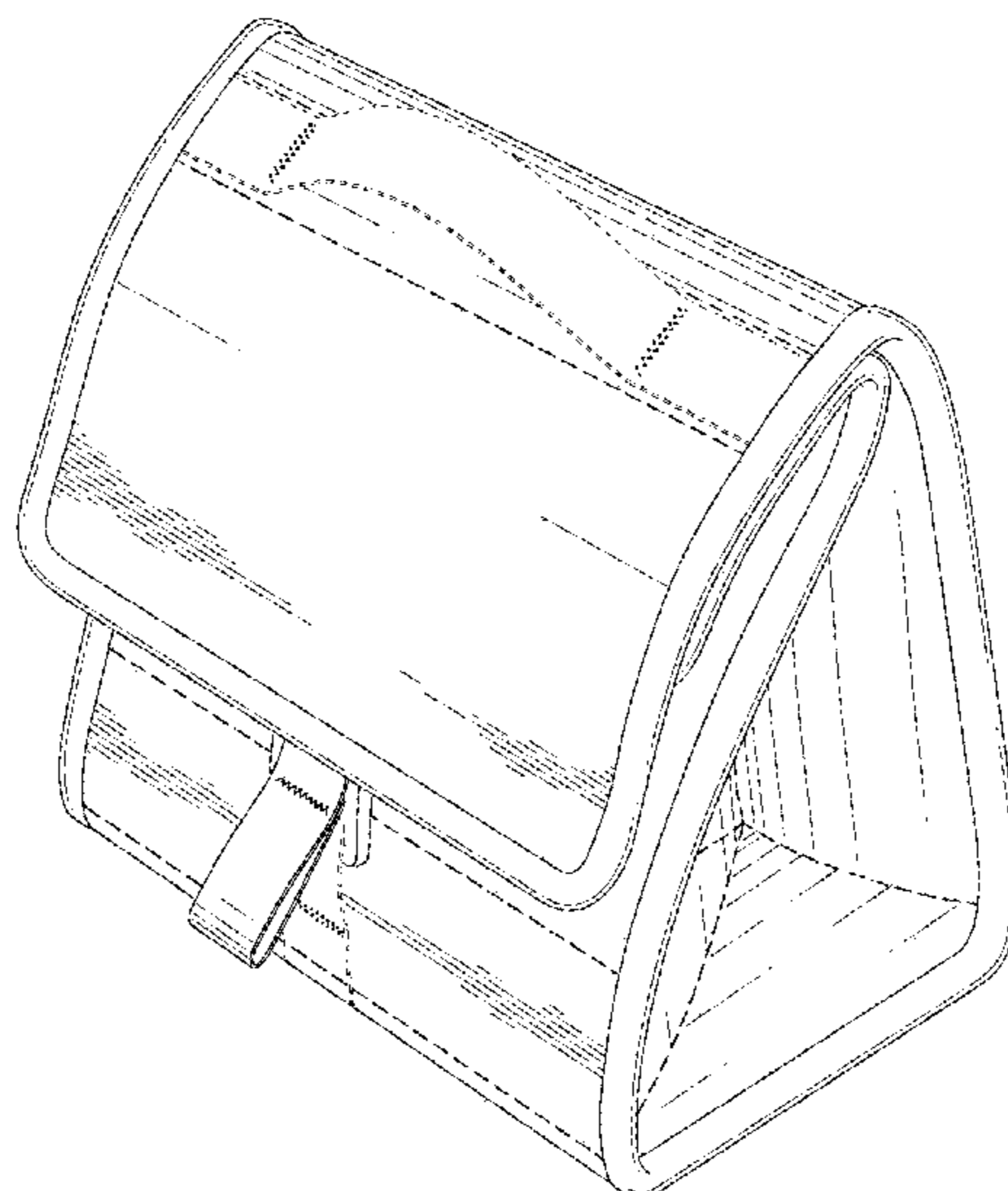
(56) **References Cited**

U.S. PATENT DOCUMENTS

1,631,371 A 6/1927 Greubel  
1,671,385 A 5/1928 Strayer  
1,712,109 A 5/1929 Hammer  
1,809,696 A 6/1931 Heilweil  
1,899,696 A 2/1933 Freedman et al.  
1,942,246 A 1/1934 Johaneson  
1,986,057 A 1/1935 Hackworth  
2,304,528 A 12/1942 Bafia

(Continued)

**1 Claim, 9 Drawing Sheets**



(56)

## References Cited

## U.S. PATENT DOCUMENTS

2,496,296	A	2/1950	Lobl	D460,898	S	7/2002	Wang
2,513,575	A	7/1950	Lombard	6,412,116	B1	7/2002	Clark
2,522,480	A	9/1950	Davis	6,422,032	B1	7/2002	Greene
2,627,097	A	2/1953	Ellis	6,427,475	B1	8/2002	DeFelice et al.
2,672,232	A	3/1954	Kessell, Jr.	6,434,801	B2	8/2002	Grunberger
2,784,757	A	3/1957	Requa	D463,276	S	9/2002	Piscopo et al.
3,102,314	A	9/1963	Alderfer	6,468,624	B1	10/2002	Fujisawa et al.
3,111,735	A	11/1963	Ellis	6,470,705	B2	10/2002	Bride-Flynn
3,161,932	A	12/1964	Russell	6,505,385	B2	1/2003	Grunberger
3,455,359	A	7/1969	Schweizer	D472,773	S	4/2003	Samartgis
3,716,091	A	2/1973	Gaines	D478,782	S	8/2003	Li
3,749,301	A	7/1973	Peckar	6,601,403	B1	8/2003	Roth et al.
3,827,019	A	7/1974	Serbu	D482,529	S	11/2003	Hardigg et al.
3,831,986	A	8/1974	Kobayashi	6,646,864	B2	11/2003	Richardson
3,998,304	A	12/1976	Edgerton, Jr. et al.	6,659,274	B2	12/2003	Enners
4,033,013	A	7/1977	Peterson	D485,069	S	1/2004	Parker
D256,097	S	7/1980	Amberg	6,698,608	B2	3/2004	Parker et al.
4,213,549	A	7/1980	Hibbard	6,722,784	B2	4/2004	Breil, Jr.
4,258,493	A	3/1981	Kettlestrings et al.	6,742,354	B1	6/2004	Watts
4,399,595	A	8/1983	Yoon et al.	6,749,551	B2	6/2004	Metzler et al.
4,408,643	A	10/1983	Laske et al.	6,779,199	B1	8/2004	O'Dea et al.
4,421,150	A	12/1983	Masters	6,821,018	B1	11/2004	Denko
4,489,770	A	12/1984	Reich, II	6,915,934	B2	7/2005	Hassett
D284,254	S	6/1986	Carlson	6,929,125	B1	8/2005	Seamans
4,679,242	A	7/1987	Brockhaus	6,955,381	B2	10/2005	Parker et al.
4,716,947	A	1/1988	Haddock	D513,123	S	12/2005	Richardson et al.
4,738,390	A	4/1988	Brennan	D513,451	S	1/2006	Richardson et al.
4,810,102	A	3/1989	Norton	D514,808	S	2/2006	Morine et al.
D304,008	S	10/1989	Hornung	D516,309	S	3/2006	Richardson et al.
4,905,857	A	3/1990	Her	D516,807	S	3/2006	Richardson et al.
4,911,962	A	3/1990	Baumann et al.	D516,870	S	3/2006	Martinez et al.
4,988,216	A	1/1991	Lyman	7,017,776	B1	3/2006	Hupp
5,010,988	A	4/1991	Brown	7,033,657	B2	4/2006	Martin
5,030,013	A	7/1991	Kramer	D523,242	S	6/2006	Hardigg et al.
5,148,580	A	9/1992	Dyckow	D527,226	S	8/2006	Maldonado
5,181,555	A	1/1993	Chruniak	D529,344	S	10/2006	Maldonado
5,196,818	A	3/1993	Anderson	7,187,261	B2	3/2007	Cassar
5,216,900	A	6/1993	Jones	D543,700	S	6/2007	Parker et al.
5,226,540	A	7/1993	Bradbury	D550,210	S	9/2007	Polany et al.
5,237,838	A	8/1993	Merritt-Munson	7,299,652	B2	11/2007	Gagnon
5,244,136	A	9/1993	Collaso	7,301,303	B1	11/2007	Hulden
D343,288	S	1/1994	Chao	D573,844	S	7/2008	Hanson et al.
D350,689	S	9/1994	Chao	7,400,917	B2	7/2008	Wood et al.
5,370,622	A	12/1994	Livingston et al.	D577,261	S	9/2008	Wang
5,372,429	A	12/1994	Beaver, Jr. et al.	D578,409	S	10/2008	Clark
5,505,305	A	4/1996	Scholz et al.	7,496,195	B2	2/2009	Kramer
D372,173	S	7/1996	Fukuda et al.	7,513,633	B2	4/2009	Ermeti
5,540,366	A	7/1996	Coomber	D592,910	S	5/2009	Hanson et al.
5,604,960	A	2/1997	Good	D598,647	S	8/2009	Kertesz et al.
D381,506	S	7/1997	Roeder	D601,383	S	10/2009	Shah
5,645,205	A	7/1997	Kennedy	D602,740	S	10/2009	Urquiola
D386,611	S	11/1997	Sheu	D607,701	S	1/2010	Pedrazzi et al.
5,682,653	A	11/1997	Berglof et al.	D609,005	S	2/2010	Dolce et al.
5,706,940	A	1/1998	Amarello	D609,056	S	2/2010	Pierce
5,746,638	A	5/1998	Shiraishi	D609,470	S	2/2010	Guyon et al.
5,797,683	A	8/1998	Gunzi et al.	7,665,895	B2	2/2010	Takita et al.
5,816,709	A	10/1998	Demus	D617,149	S	6/2010	Olivari
5,844,772	A	12/1998	Lee et al.	7,730,739	B2	6/2010	Fuchs
5,875,795	A	3/1999	Bouix	D620,249	S	7/2010	Yu
D411,446	S	6/1999	Cautereels	D620,376	S	7/2010	Peyser et al.
D412,267	S	7/1999	Anderson	D620,707	S	8/2010	Mogil
6,067,813	A	5/2000	Smith	D623,406	S	9/2010	Yu
6,068,119	A	5/2000	Derr et al.	D623,853	S	9/2010	Yu
6,073,789	A	6/2000	Lundblade	7,793,782	B2	9/2010	Chuang
6,092,707	A	7/2000	Bowes, Jr.	D627,199	S	11/2010	Pruchnicki
6,112,959	A	9/2000	Townsend	D630,013	S	1/2011	Yu
6,149,305	A	11/2000	Fier	D630,939	S	1/2011	Peters et al.
6,179,677	B1	1/2001	Dornier	D632,074	S	2/2011	Chan et al.
6,223,551	B1	5/2001	Mitchell	7,896,199	B2	3/2011	Kaczmarek
6,224,258	B1	5/2001	Dodson	D644,024	S	8/2011	Jobert
6,226,842	B1	5/2001	Wong	8,005,251	B2	8/2011	Chan
6,301,754	B1	10/2001	Grunberger et al.	D648,935	S	11/2011	Wickrama
6,336,340	B1	1/2002	Laby	D653,915	S	2/2012	George
6,361,210	B2	3/2002	Denko	D664,425	S	7/2012	Krupa
6,397,560	B1	6/2002	Weder	8,209,995	B2	7/2012	Kieling et al.
				8,223,997	B2	7/2012	Wilson, II et al.
				D668,119	S	10/2012	Everson
				D670,906	S	11/2012	Du
				D677,511	S	3/2013	Gray



(56)

References Cited

U.S. PATENT DOCUMENTS

8,399,764 B2 3/2013 Klosky  
 8,403,975 B2 3/2013 Hadas  
 8,424,680 B2 4/2013 Fair et al.  
 8,434,617 B1 5/2013 Wang  
 D688,449 S 8/2013 Schinasi  
 8,550,714 B2 10/2013 Ben-Shushan et al.  
 D693,573 S 11/2013 Holefleisch  
 8,573,002 B2 11/2013 Ledoux et al.  
 D694,521 S 12/2013 Robinson et al.  
 D695,015 S 12/2013 Robinson et al.  
 D695,568 S 12/2013 Hayes  
 8,607,536 B2 12/2013 Bailey et al.  
 D701,456 S 3/2014 Farley et al.  
 D703,493 S 4/2014 de Ste. Croix et al.  
 D708,848 S 7/2014 Zwetzig  
 D709,333 S 7/2014 Stamatopoulos  
 D709,334 S 7/2014 Stamatopoulos  
 8,770,402 B2 7/2014 Bergreen et al.  
 D716,551 S \* 11/2014 Taylor ..... D3/299  
 D718,529 S \* 12/2014 Wang ..... D3/290  
 D727,107 S 4/2015 Parodi, Jr.  
 D734,643 S 7/2015 Boroski  
 D734,761 S 7/2015 Ballou et al.  
 D736,569 S 8/2015 Bronwasser et al.  
 9,122,941 B2 9/2015 Hoobler et al.  
 9,139,352 B2 9/2015 Seiders et al.  
 9,167,876 B2 10/2015 Yamaguchi et al.  
 D745,272 S 12/2015 Slimane  
 9,220,328 B2 12/2015 Magness  
 9,264,089 B2 2/2016 Tages  
 D751,814 S 3/2016 Louboutin  
 9,290,313 B2 3/2016 De Lesseux et al.  
 9,307,315 B2 4/2016 McKeough  
 9,334,087 B2 5/2016 Cho et al.  
 D758,805 S 6/2016 Myoung  
 9,392,855 B2 7/2016 Taylor  
 D763,569 S 8/2016 Tal  
 D763,629 S 8/2016 Swartz et al.  
 D764,791 S 8/2016 Patel  
 9,444,506 B2 9/2016 Lai et al.  
 D780,524 S 3/2017 Jacobsen  
 D787,821 S 5/2017 Liu  
 D811,738 S 3/2018 Dumas  
 D824,664 S 8/2018 Munie  
 D825,913 S 8/2018 Barlier  
 D827,299 S 9/2018 Vickery  
 D828,112 S 9/2018 Furneaux et al.  
 D835,949 S 12/2018 Triska et al.  
 10,229,395 B2 3/2019 Smith et al.  
 D847,499 S 5/2019 Dumas  
 D850,100 S 6/2019 Oviedo-Polanco  
 10,373,128 B2 8/2019 Smith et al.  
 D861,338 S 10/2019 Seiders et al.  
 D909,063 S \* 2/2021 Loudenslager ..... D3/290  
 2001/0051378 A1 12/2001 Radmacher et al.  
 2002/0012480 A1 1/2002 Konno  
 2004/0165332 A1 8/2004 Beson  
 2004/0173484 A1 9/2004 Bates et al.  
 2004/0183313 A1 9/2004 Sherman et al.  
 2004/0237266 A1 12/2004 Wang  
 2005/0097711 A1 5/2005 Halstead  
 2005/0116003 A1 6/2005 Butler et al.  
 2005/0145302 A1 7/2005 Mutterer et al.  
 2005/0230465 A1 10/2005 Metzler et al.  
 2005/0262871 A1 12/2005 Bailey-Weston  
 2006/0003709 A1 1/2006 Wood  
 2006/0006969 A1 1/2006 Cassar  
 2006/0016841 A1 1/2006 Shurm  
 2006/0072857 A1 4/2006 Revels  
 2007/0051785 A1 3/2007 Roessiger  
 2007/0215663 A1 9/2007 Chongson et al.  
 2007/0232109 A1 10/2007 Parker et al.  
 2007/0261977 A1 11/2007 Sakai  
 2007/0261978 A1 11/2007 Sanderson  
 2008/0037907 A1 2/2008 Suskind

2008/0077289 A1 3/2008 Fujishima  
 2008/0272872 A1 11/2008 Fiedler  
 2009/0078731 A1 3/2009 Yi  
 2009/0114557 A1 5/2009 Nelson  
 2009/0184143 A1 7/2009 Witt et al.  
 2009/0208146 A1 8/2009 Kirby  
 2010/0025442 A1 2/2010 Shurm  
 2010/0040307 A1 2/2010 Lien  
 2010/0140861 A1 6/2010 Kubota et al.  
 2010/0181220 A1 7/2010 Dasara  
 2010/0298025 A1 11/2010 Spence  
 2010/0310194 A1 12/2010 Archambault  
 2012/0096669 A1 4/2012 Treacy  
 2012/0137637 A1 6/2012 Gillis  
 2012/0216374 A1 8/2012 Manuello  
 2013/0077897 A1 3/2013 Li  
 2013/0221048 A1 8/2013 Revels et al.  
 2013/0230260 A1 9/2013 Maynard et al.  
 2013/0242481 A1 9/2013 Kim et al.  
 2013/0243354 A1 9/2013 Lytle  
 2014/0066144 A1 3/2014 Hong  
 2014/0138378 A1 5/2014 Lequeux  
 2014/0138384 A1 5/2014 O'Brien  
 2014/0158558 A1 6/2014 Ye  
 2014/0209011 A1 7/2014 Byun  
 2014/0254956 A1 9/2014 Buell, III  
 2014/0262658 A1 9/2014 Wegener  
 2014/0360892 A1 12/2014 Lin  
 2015/0037799 A1 2/2015 Takagi  
 2015/0076144 A1 3/2015 Chalifoux  
 2015/0225164 A1 8/2015 Seiders et al.  
 2015/0239631 A1 8/2015 Kinskey  
 2015/0305402 A1 10/2015 Bourgoin  
 2016/0021997 A1 1/2016 Gonzalez  
 2016/0023808 A1 1/2016 Traverso et al.  
 2016/0058142 A1 3/2016 Buynar  
 2016/0083147 A1 3/2016 Mauro  
 2016/0130040 A1 5/2016 Yeh  
 2016/0198823 A1 7/2016 Bergreen et al.  
 2016/0221722 A1 8/2016 Burke et al.  
 2016/0235174 A1 8/2016 Lenci et al.  
 2016/0269517 A1 9/2016 Alexander  
 2016/0379184 A1 12/2016 Smith et al.  
 2016/0379185 A1 12/2016 Smith et al.  
 2017/0036844 A1 2/2017 Seiders et al.  
 2017/0066559 A1 3/2017 Kim et al.  
 2017/0280937 A1 10/2017 Mogil et al.  
 2018/0044094 A1 2/2018 Seiders et al.  
 2018/0252458 A1 9/2018 Furneaux et al.  
 2019/0279170 A1 9/2019 Smith et al.  
 2019/0344951 A1 11/2019 Rogers et al.

FOREIGN PATENT DOCUMENTS

CH 686058 A5 12/1995  
 CN 2499356 Y 7/2002  
 CN 3466138 8/2005  
 CN 101168090 A 4/2008  
 CN 201104571 Y 8/2008  
 CN 201153601 Y 11/2008  
 CN 101313791 A 12/2008  
 CN 300906331 4/2009  
 CN 101466617 A 6/2009  
 CN 201274836 Y 7/2009  
 CN 301000008 9/2009  
 CN 301000009 9/2009  
 CN 201393583 Y 2/2010  
 CN 301808202 1/2012  
 CN 301985365 7/2012  
 CN 302208071 12/2012  
 CN 302623610 11/2013  
 CN 203435847 U 2/2014  
 CN 302860668 7/2014  
 CN 103237473 B 12/2015  
 CN 303514632 12/2015  
 CN 105564794 A 5/2016  
 CN 205512895 U 8/2016  
 CN 205512896 U 8/2016  
 CN 205568112 U 9/2016



(56)

## References Cited

FOREIGN PATENT DOCUMENTS

CN 106108308 A 11/2016  
 CN 304011530 1/2017  
 CN 106858960 A 6/2017  
 CN 304291753 9/2017  
 CN 304338166 11/2017  
 CN 304351331 11/2017  
 CN 304351332 11/2017  
 CN 304361367 11/2017  
 CN 304383056 12/2017  
 CN 304423326 12/2017  
 CN 304457891 1/2018  
 CN 304457892 1/2018  
 CN 304457893 1/2018  
 CN 304555914 3/2018  
 CN 207186216 U 4/2018  
 CN 304668083 6/2018  
 CN 304713490 7/2018  
 CN 304719918 7/2018  
 CN 304781354 8/2018  
 CN 304781362 8/2018  
 CN 304782359 8/2018  
 CN 304785773 8/2018  
 CN 304785791 8/2018  
 CN 304790835 8/2018  
 CN 304823679 9/2018  
 CN 304854892 10/2018  
 CN 304877475 11/2018  
 CN 304890011 11/2018  
 CN 304915313 11/2018  
 CN 304948871 12/2018  
 DE 60104156 T2 8/2005  
 DE 202009000499 U1 3/2009  
 EM 000164199-0001 7/2004  
 EM 000285028-0001 6/2005  
 EM 000434253-0001 1/2006  
 EM 000596333-0007 10/2006  
 EM 001504127-0001 4/2009  
 EM 001519406-0001 6/2009  
 EM 001133383-0002 1/2010  
 EM 001900705-0002 9/2011  
 EM 001922204-0001 11/2011  
 EM 002047233-0001 5/2012  
 EM 002225706-0001 5/2013  
 EM 002294322-0002 8/2013  
 EM 001294060-0002 10/2013  
 EM 001294060-0003 10/2013  
 EM 002540948-0003 9/2014  
 EM 002541185-0001 9/2014  
 EM 002541185-0003 9/2014  
 EM 002515247-0001 10/2014  
 EM 002515247-0002 10/2014  
 EM 002550715-0002 10/2014  
 EM 002630814-0002 2/2015  
 EM 002676536-0001 6/2015  
 EM 002838573-0001 11/2015  
 EM 003117324-0009 5/2016  
 EM 003122464-0001 5/2016  
 EM 004109049-0001 7/2017  
 EM 00530559-0001 7/2018  
 EM 005303559-0003 7/2018  
 EM 005511102-0001 8/2018  
 EM 005511102-0002 8/2018  
 EM 005511102-0003 8/2018  
 EM 005511102-0004 8/2018  
 EM 005618204-0001 8/2018  
 EM 005887585-0006 1/2019  
 EM 006501607-0001 5/2019  
 EP 0922399 A2 6/1999  
 EP 1683736 A2 7/2006  
 EP 1864916 A1 12/2007  
 EP 2571391 A2 3/2013  
 FR 20105616-001 4/2011  
 GB 2045117 6/1995  
 GB 4012617 10/2009  
 JP S4971312 U 6/1974

JP S49112604 U 9/1974  
 JP S49123217 A 11/1974  
 JP S53161363 U 12/1978  
 JP S58039009 A 3/1983  
 JP S59070508 U 5/1984  
 JP S6076076 U 5/1985  
 JP S61073224 U 5/1986  
 JP S62058606 A 3/1987  
 JP S62134836 U 8/1987  
 JP S63068865 U 5/1988  
 JP S63111442 U 7/1988  
 JP H01126956 U 8/1989  
 JP 1992074010 U 6/1992  
 JP H04074010 U 6/1992  
 JP H0556809 A 3/1993  
 JP H06021210 A 1/1994  
 JP H06021210 U 3/1994  
 JP 3003213 U 10/1994  
 JP H06076076 U 10/1994  
 JP H0679320 U 11/1994  
 JP H08502427 A 3/1996  
 JP H9328149 A 12/1997  
 JP H10127329 A 5/1998  
 JP 3051283 U 8/1998  
 JP 3051385 U 8/1998  
 JP H1126956 A 1/1999  
 JP H11147572 A 6/1999  
 JP 3059196 U 7/1999  
 JP H11269713 A 10/1999  
 JP 3160109 B2 4/2001  
 JP 2001267164 A 9/2001  
 JP 2003071978 A 3/2003  
 JP 2004000355 A 1/2004  
 JP S3515781 B2 4/2004  
 JP 2005335769 A 12/2005  
 JP 2005343482 A 12/2005  
 JP 2006123987 A 5/2006  
 JP 4074010 B2 4/2008  
 JP D1355521 4/2009  
 JP 3154150 U 10/2009  
 JP D1376358 12/2009  
 JP 2010030644 A 2/2010  
 JP 2010512281 A 4/2010  
 JP D2010-8653 12/2010  
 JP 2011121631 A 6/2011  
 JP D2012-551 8/2012  
 JP D1487395 1/2014  
 JP D1500514 6/2014  
 JP D1619280 12/2018  
 KR 20020046244 A 6/2002  
 KR 200341520 Y1 2/2004  
 KR 20070089473 A 8/2007  
 KR 3020070006269 12/2007  
 KR 3020070006271 2/2008  
 KR 3020100039256 4/2012  
 KR 3020120016755 9/2012  
 KR 3020140014014 11/2014  
 TR 652921-0001 7/2013  
 WO 9408541 A1 4/1994  
 WO D032527-029 5/1995  
 WO D038554-029 2/1997  
 WO 0108527 A1 2/2001  
 WO 2007140916 A3 2/2008  
 WO 2008025905 A2 3/2008  
 WO D082059-001 11/2013  
 WO D091354-003 3/2016  
 WO 2017136754 A1 8/2017  
 WO D099344-004 2/2018  
 WO D099344-034 2/2018  
 WO D099990-006 3/2018  
 WO 2018165426 A1 9/2018  
 WO D103345-001 4/2019  
 WO 2019135922 A1 7/2019

## OTHER PUBLICATIONS

Amazon, "F40C4TMP Packable Lunch Bag Work Lunch Box for Men . . .", First on sale Aug. 4, 2020. (<https://www.amazon.com/dp/B08F7S9JTT/>) (Year: 2020).\*

(56)

**References Cited**

OTHER PUBLICATIONS

Amazon, “AKASO 6L Small Collapsible Cooler Bag for 12 Cans . . .”, First on sale Mar. 19, 2021. (<https://www.amazon.com/AKASO-Collapsible-Leakproof-Waterproof-Insulated/dp/B08ZHDTTQD/>) (Year: 2021).\*

Feb. 27, 2015—(JP) Office Action—App. No. 2013-510725.

Feb. 27, 2015—(CN) CSR—App. No. CN103237473B.

Apr. 30, 2020—(WO) International Search Report & Written Opinion—PCT/US20/021519.

Oct. 30, 2020—(CN) Office Action—App. No. 201880015578.0.

Oct. 20, 2020—(IP) Office Action—App. No. 2019548313.

Jan. 29, 2021—(EP) Supplementary Search Report—App. No. 18763122.

May 6, 2019—(WO) International Search Report and Written Opinion—App. No. PCT/US2018/066679.

Jun. 19, 2018—(WO) ISR & WO—App. No. PCT/US18/021546.

Jan. 15, 2015—(CN) Office Action—App. No. 201180031291.5.

Jun. 6, 2020—(WO) ISR—App. No. PCT/US20/021513.

\* cited by examiner

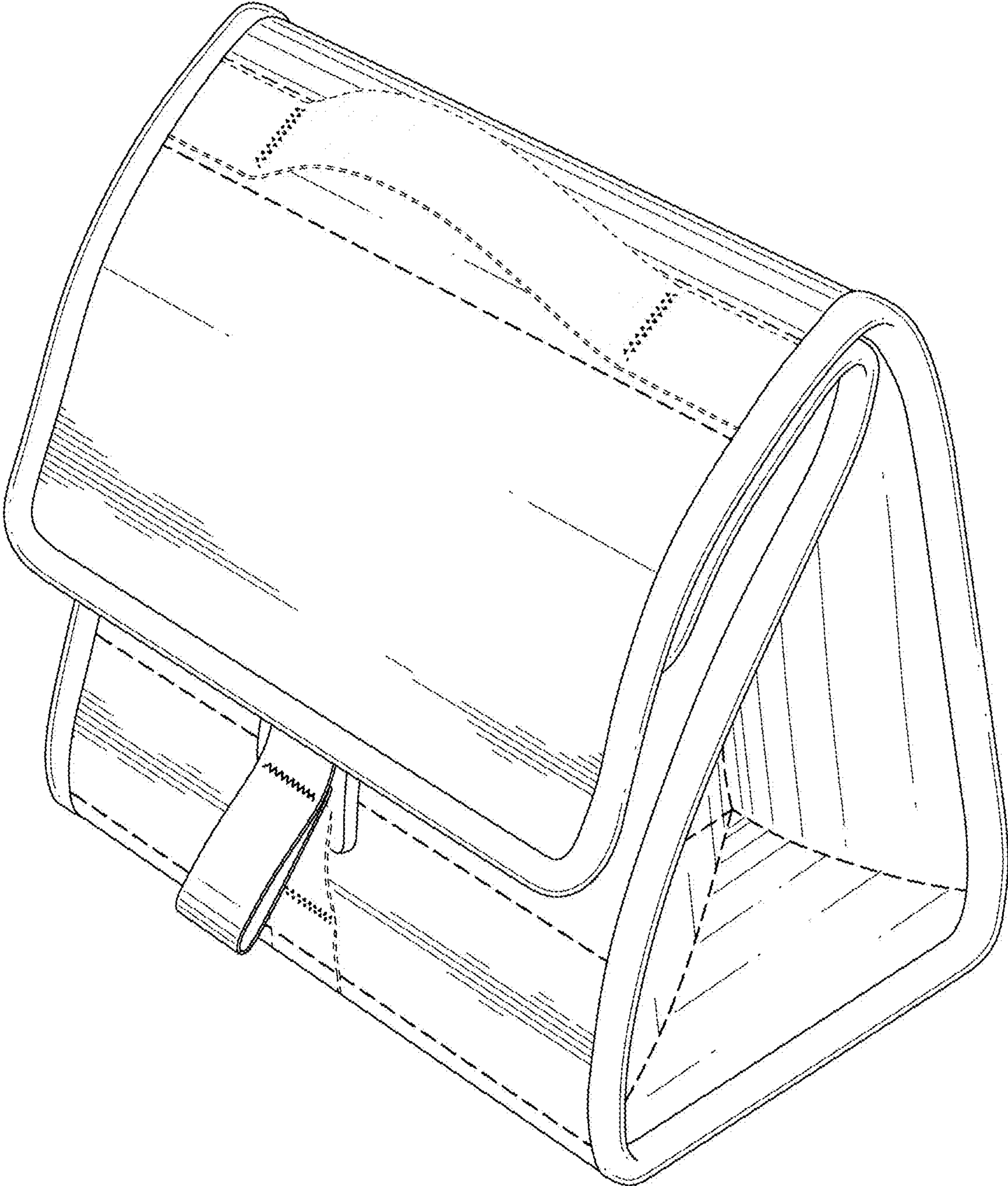


FIG. 1



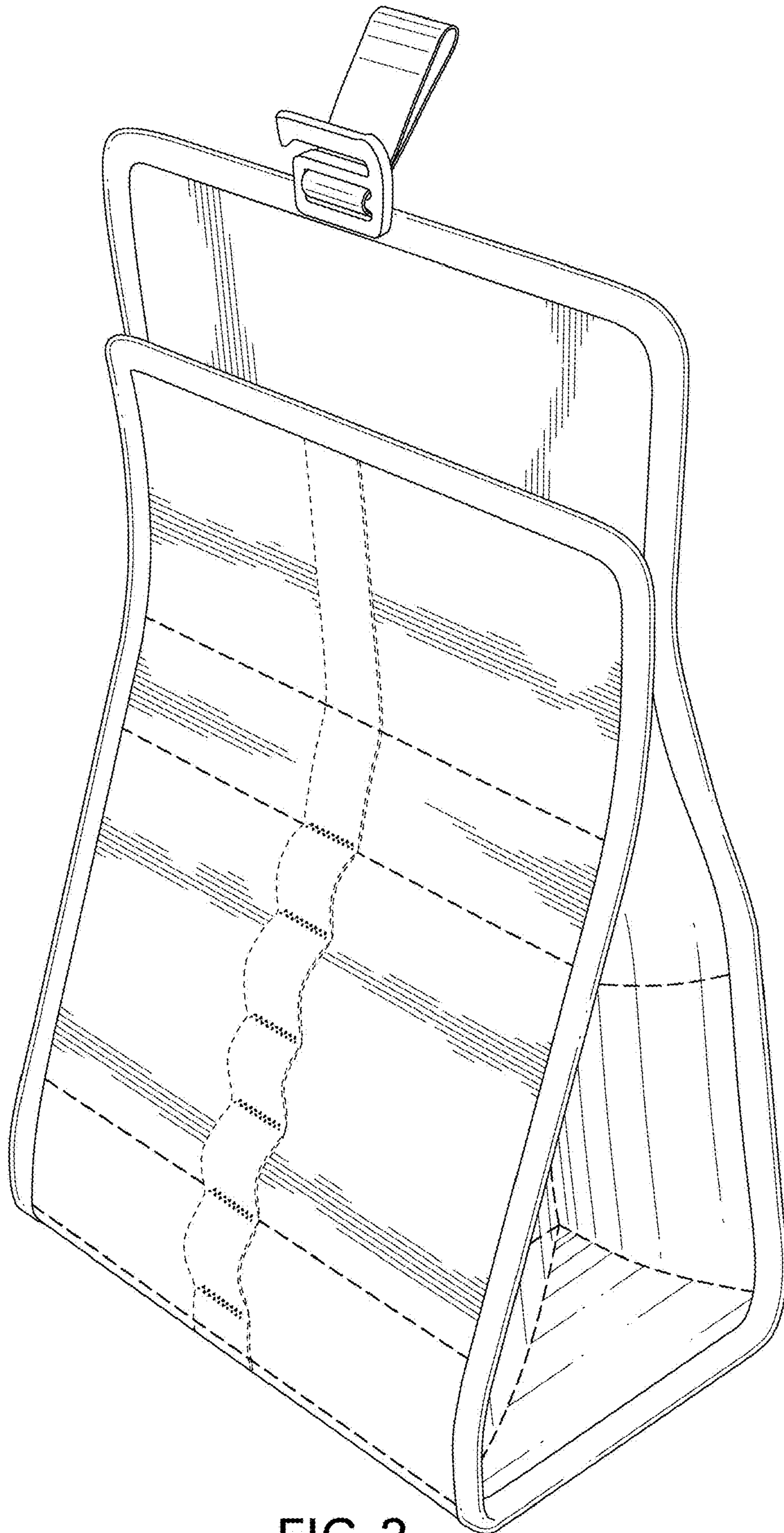


FIG.2

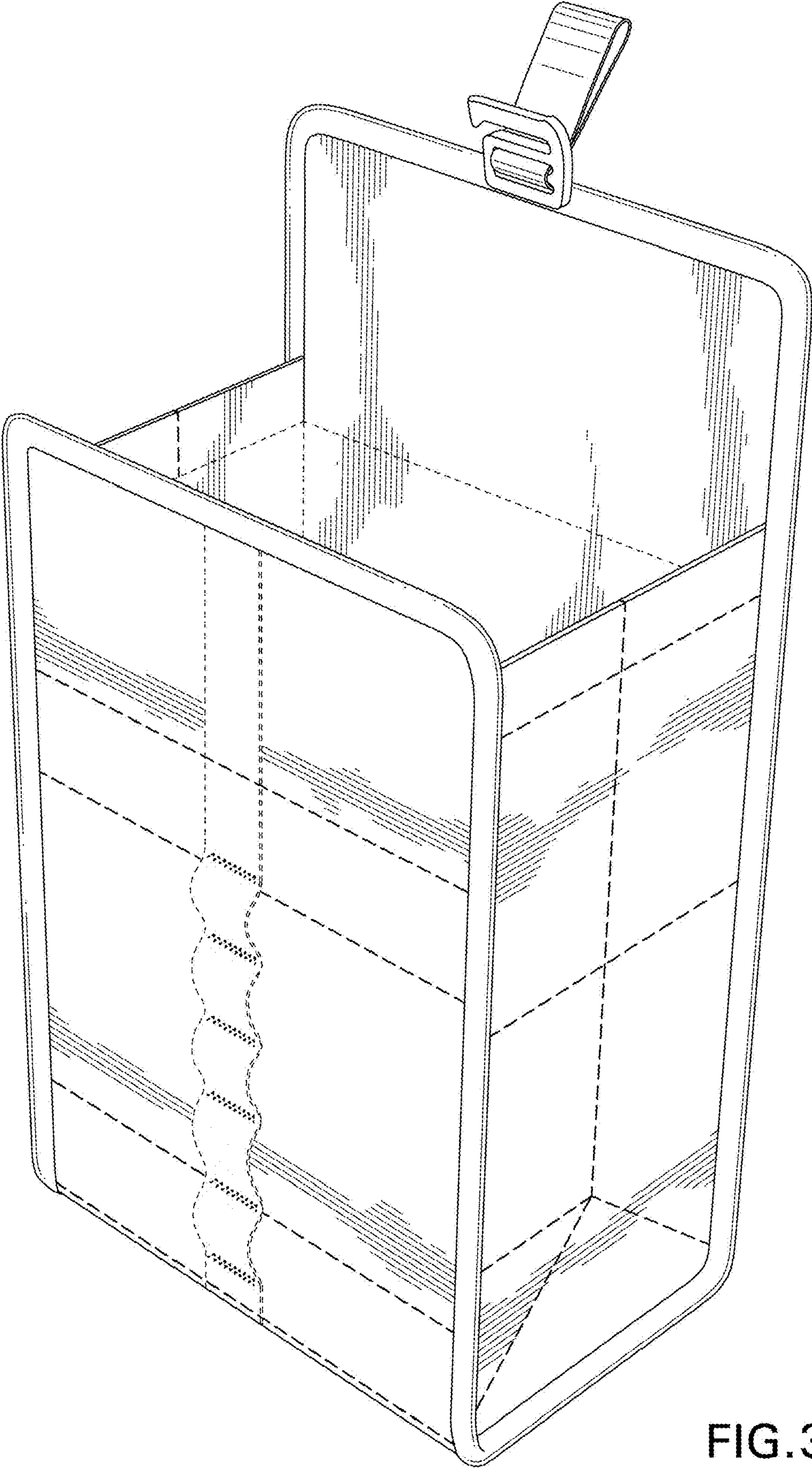


FIG. 3



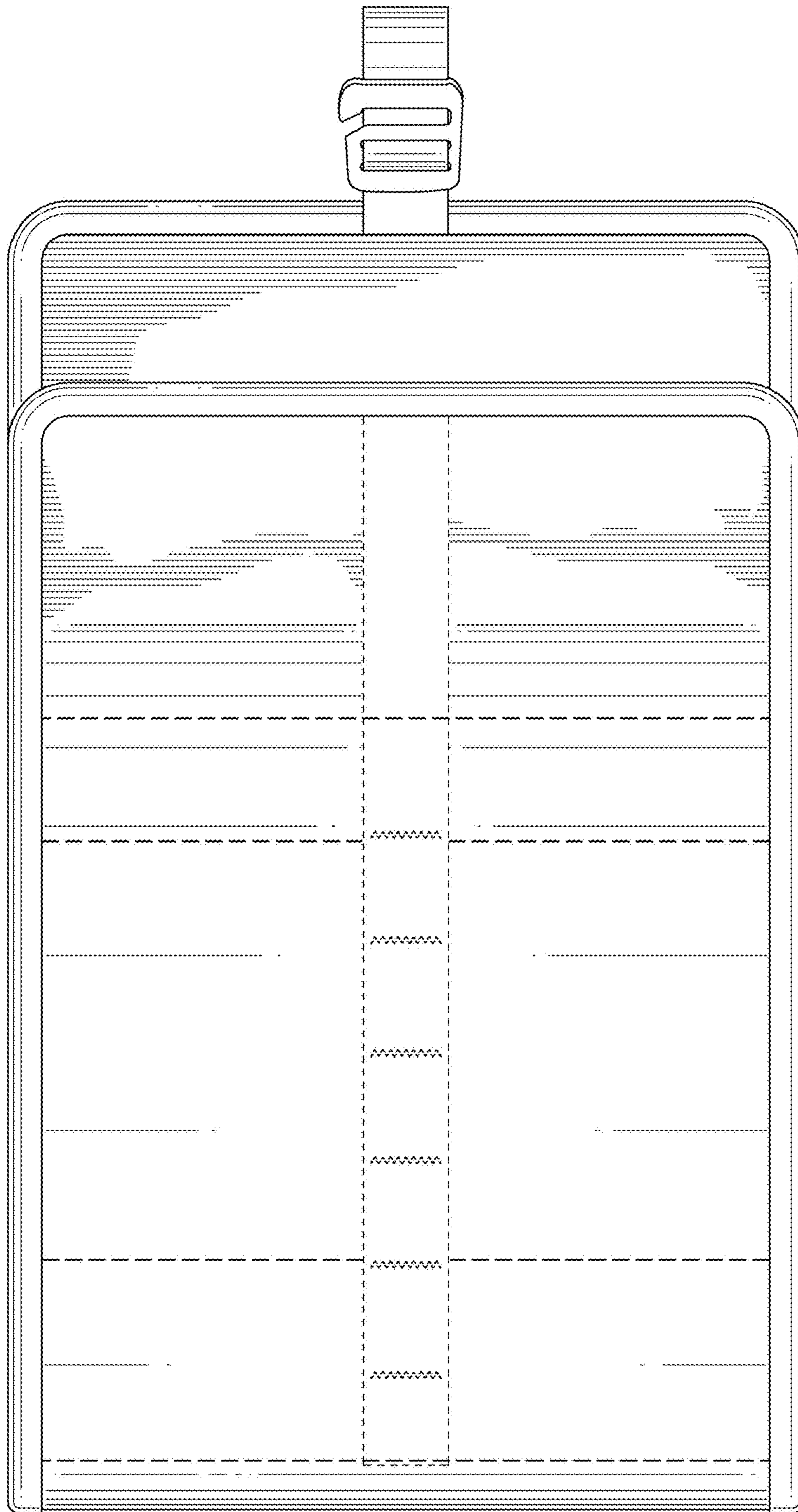


FIG.4

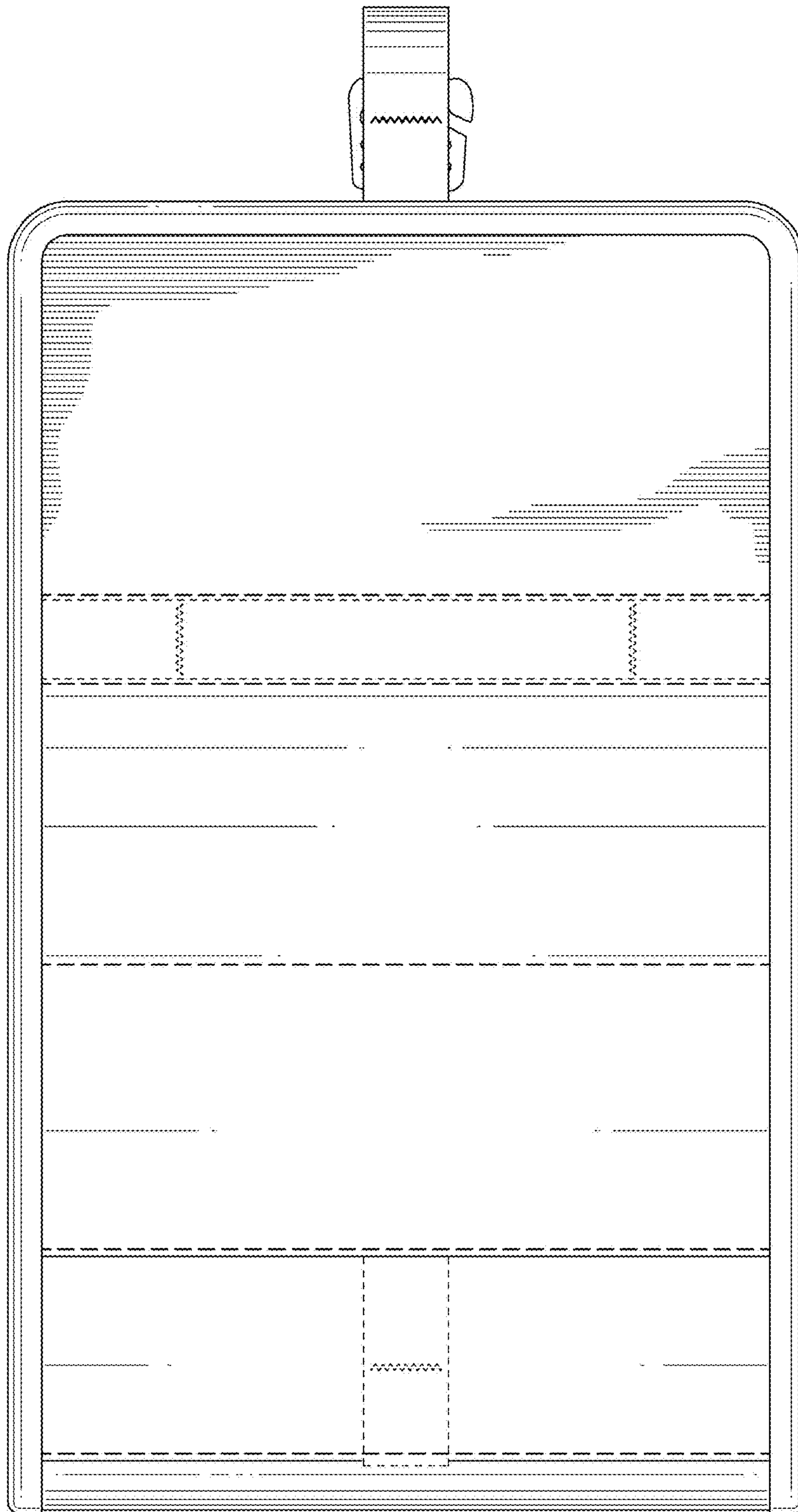


FIG. 5



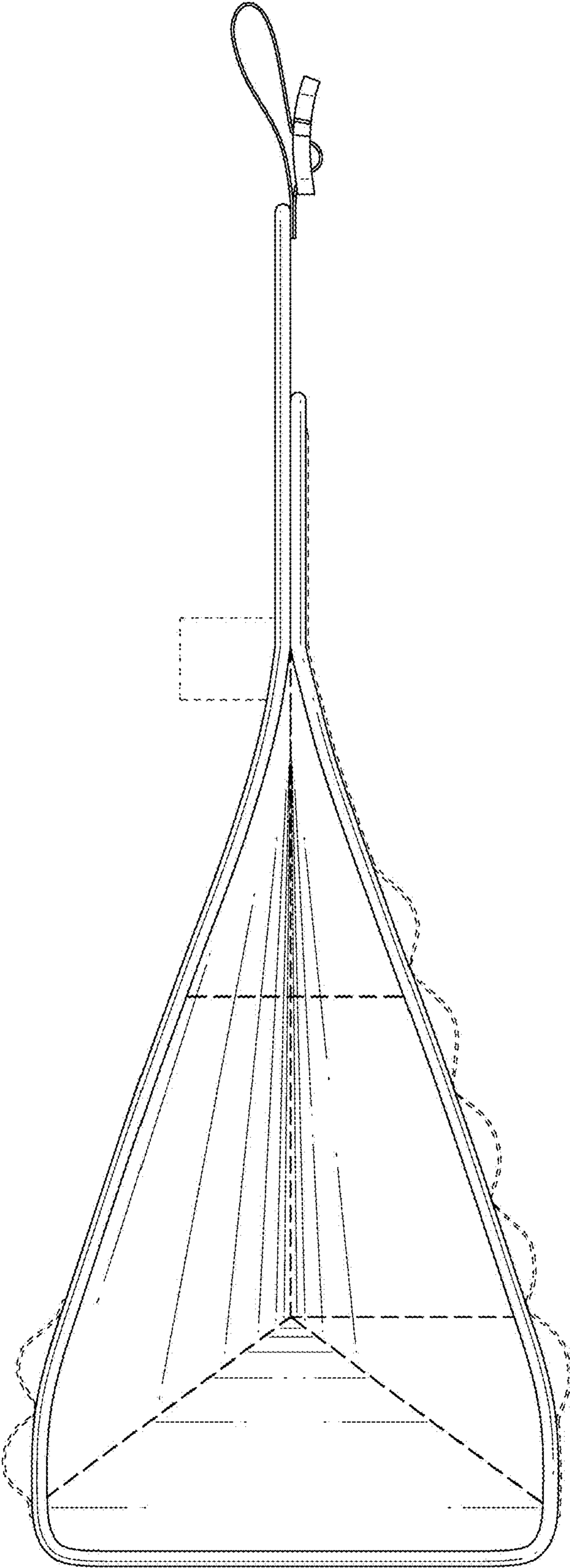


FIG.6

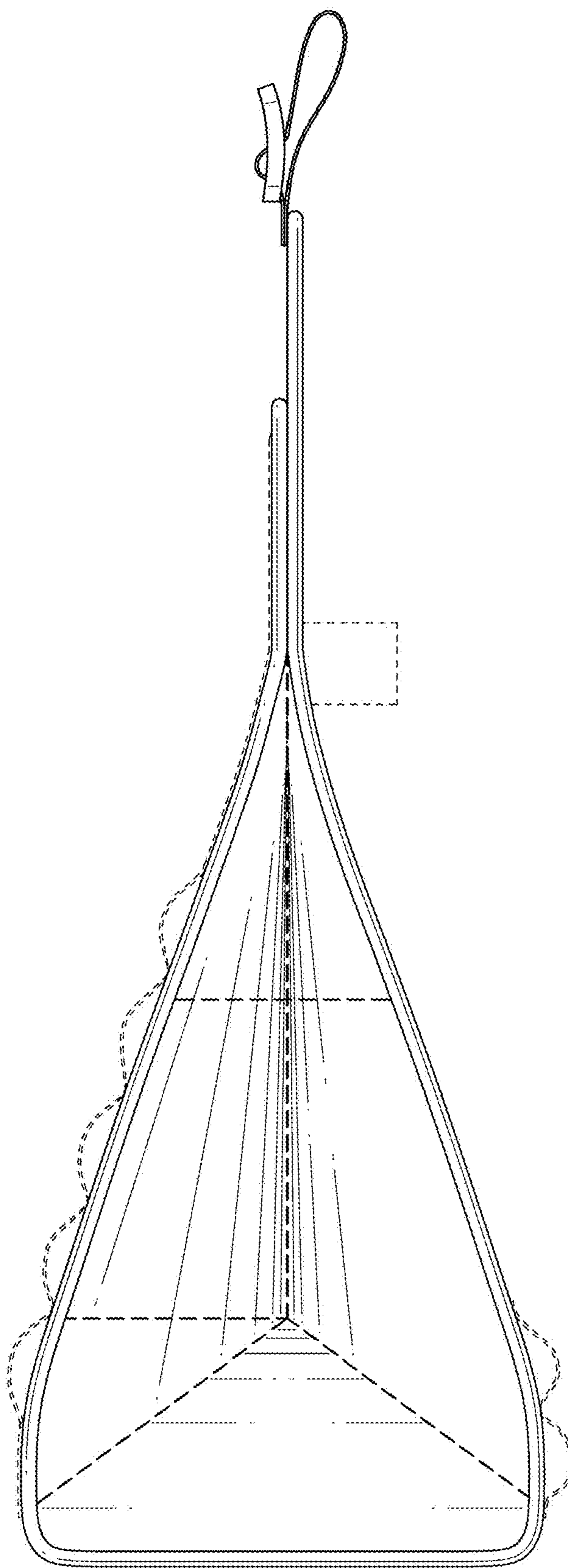


FIG. 7



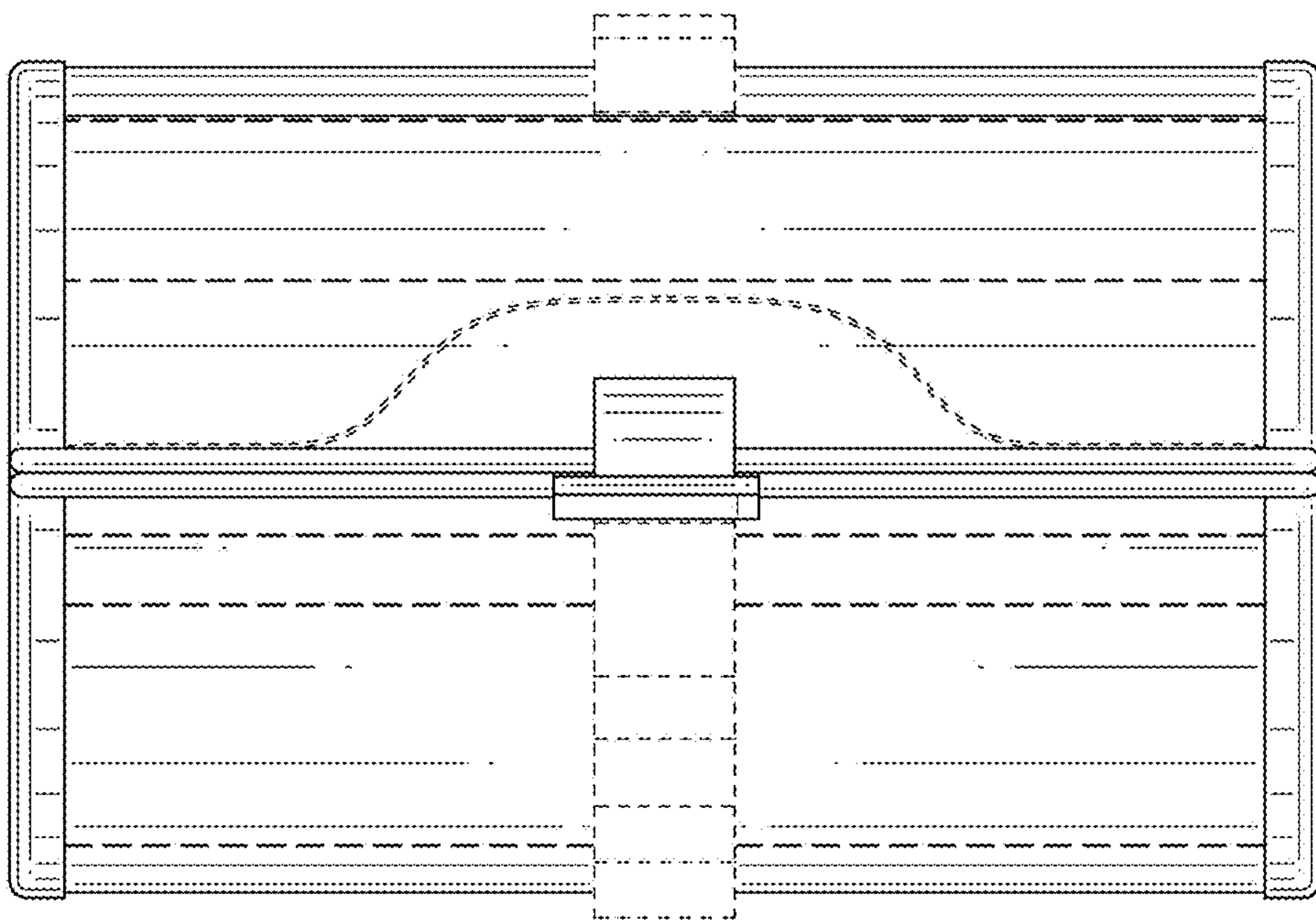


FIG.8

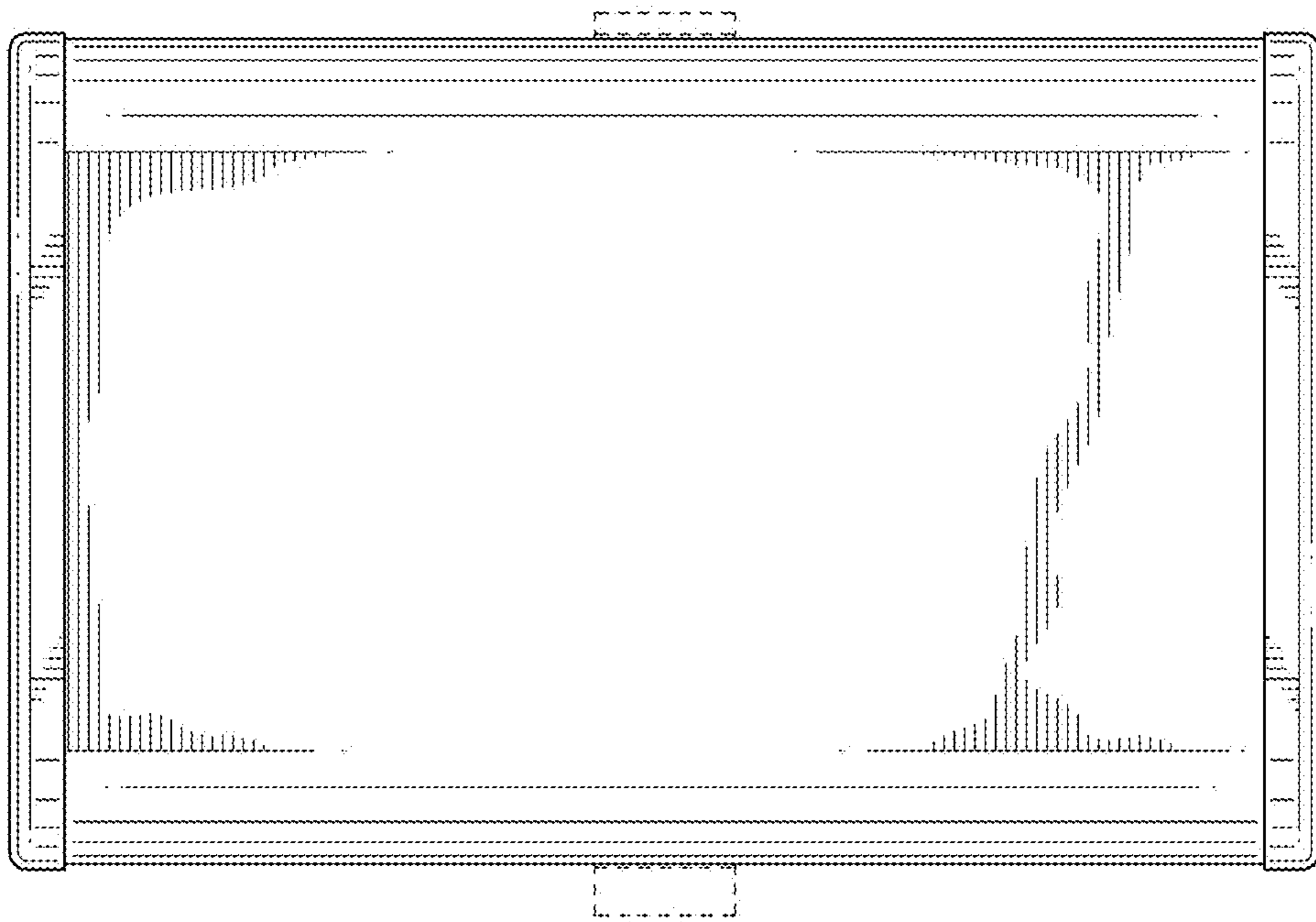


FIG. 9