



US00D935766S

(12) **United States Design Patent**  
**Wang**

(10) **Patent No.:** **US D935,766 S**

(45) **Date of Patent:** **\*\* Nov. 16, 2021**

(54) **BACKPACK**

(71) Applicant: **Ruilian Wang**, Zhejiang Province (CN)

(72) Inventor: **Ruilian Wang**, Zhejiang Province (CN)

(\*\*) Term: **15 Years**

(21) Appl. No.: **29/704,674**

(22) Filed: **Sep. 6, 2019**

(30) **Foreign Application Priority Data**

Jun. 12, 2019 (CN) ..... 201930300462.9

(51) **LOC (13) Cl.** ..... **03-01**

(52) **U.S. Cl.**  
USPC ..... **D3/217**

(58) **Field of Classification Search**

USPC ..... D3/216, 217  
CPC ..... A45F 3/04; A45F 2003/003; A45F 4/02;  
A45F 5/021; Y10S 224/92; Y10S 16/40;  
Y10S 224/922; Y10S 383/907; A01K  
97/06; A45C 11/20; A45C 5/06; A45C  
11/02; A45C 13/02; A45C 13/08; A45C  
3/00; A45C 7/0063

See application file for complete search history.

(56) **References Cited**

**U.S. PATENT DOCUMENTS**

5,222,642 A \* 6/1993 Solarz ..... A45C 13/08  
224/191

D446,009 S \* 8/2001 Mandell ..... D3/216  
D805,761 S \* 12/2017 Garcia ..... D3/216  
D847,494 S \* 5/2019 Tang ..... D3/217  
D919,961 S \* 5/2021 Sprintz ..... D3/217  
D927,175 S \* 8/2021 Wang ..... D3/217

\* cited by examiner

*Primary Examiner* — Jennifer L Watkins

(74) *Attorney, Agent, or Firm* — Bay State IP, LLC

(57) **CLAIM**

The ornamental design for a backpack, as shown and described.

**DESCRIPTION**

FIG. 1 is a perspective view showing my new design;

FIG. 2 is a front view thereof;

FIG. 3 is a back view thereof;

FIG. 4 is a top view thereof;

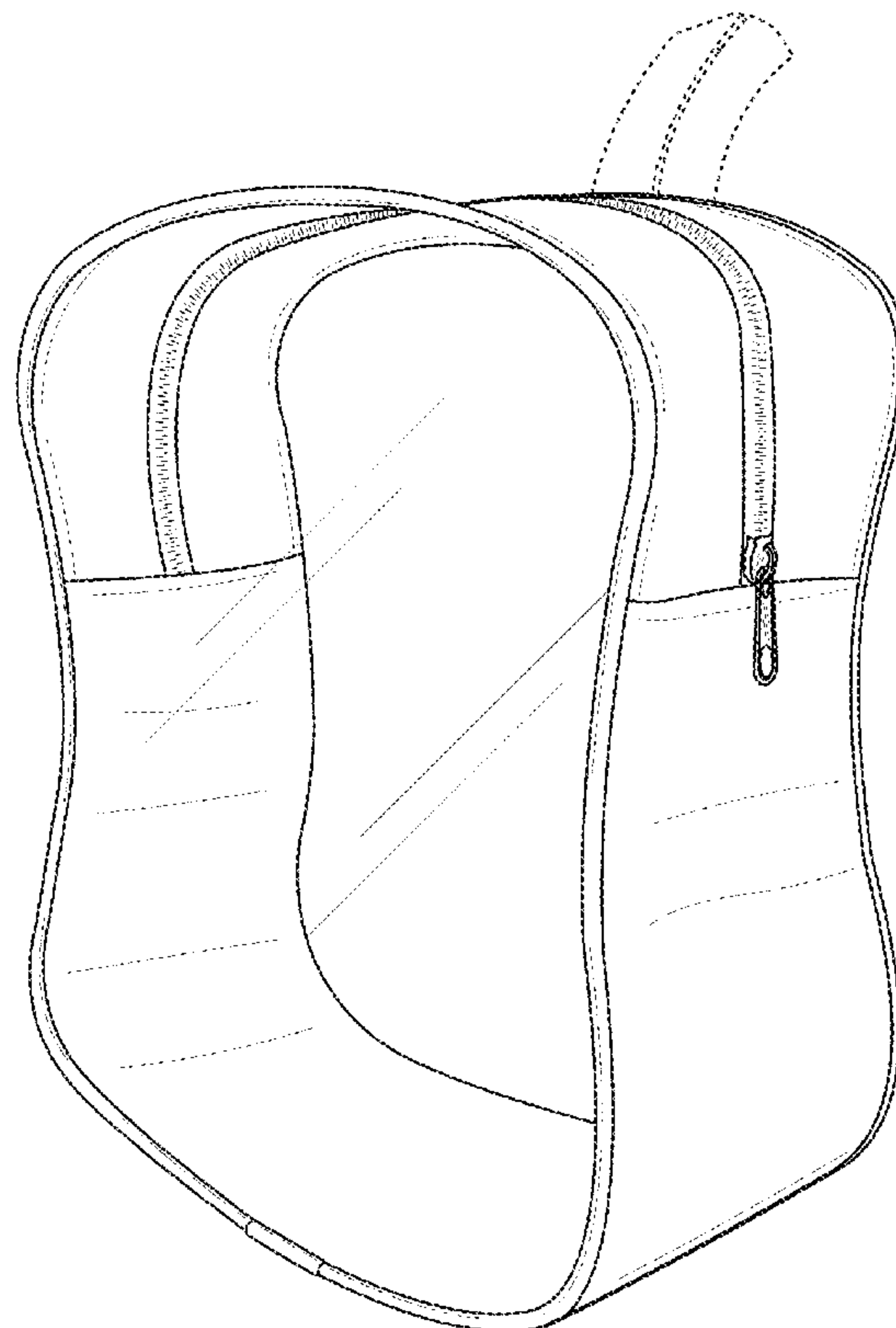
FIG. 5 is a bottom view thereof;

FIG. 6 is a left side view thereof; and,

FIG. 7 is a right side view thereof.

The broken lines in the drawings depict portions of the backpack that form no part of the claimed design.

**1 Claim, 7 Drawing Sheets**



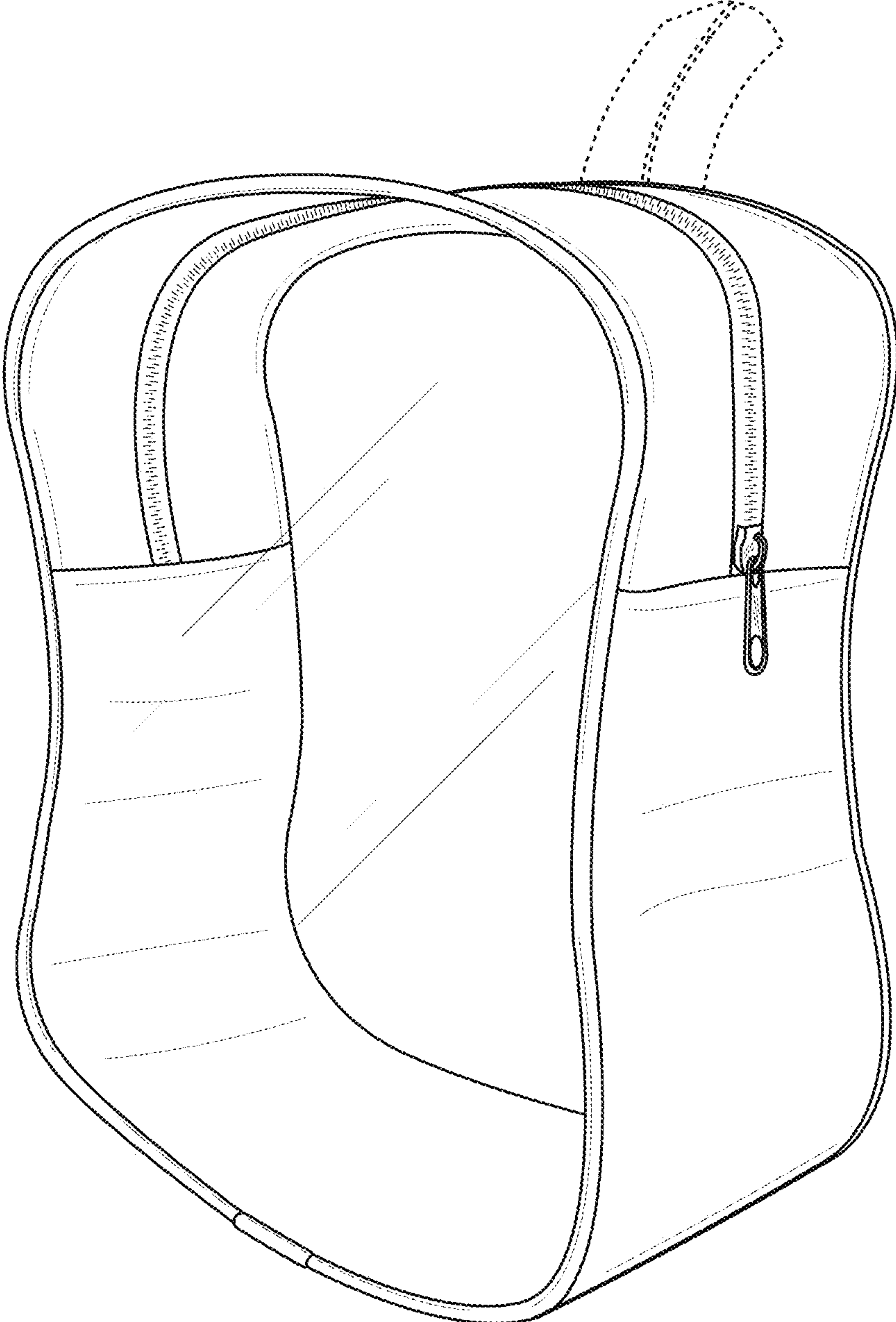


FIG.1

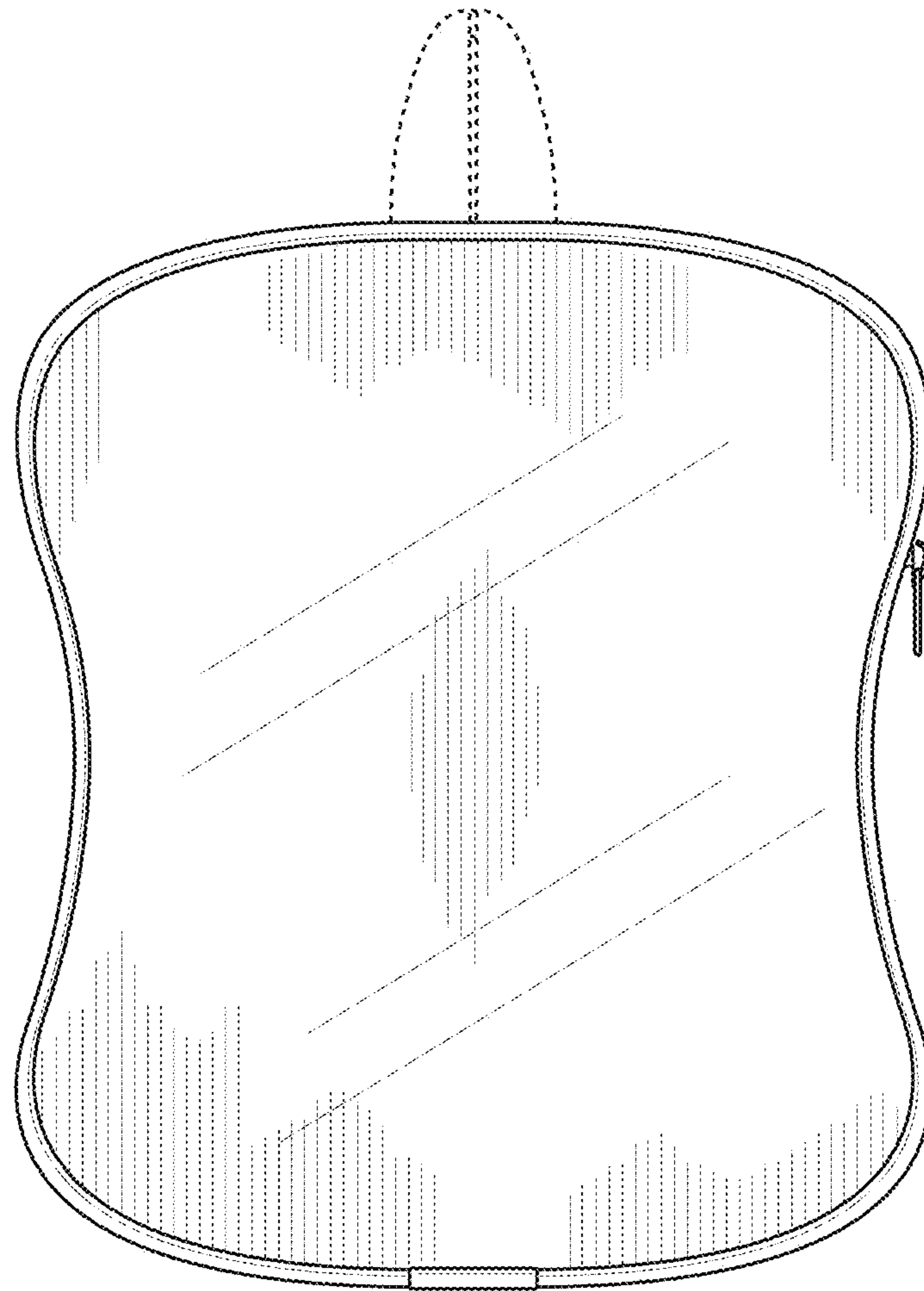


FIG. 2

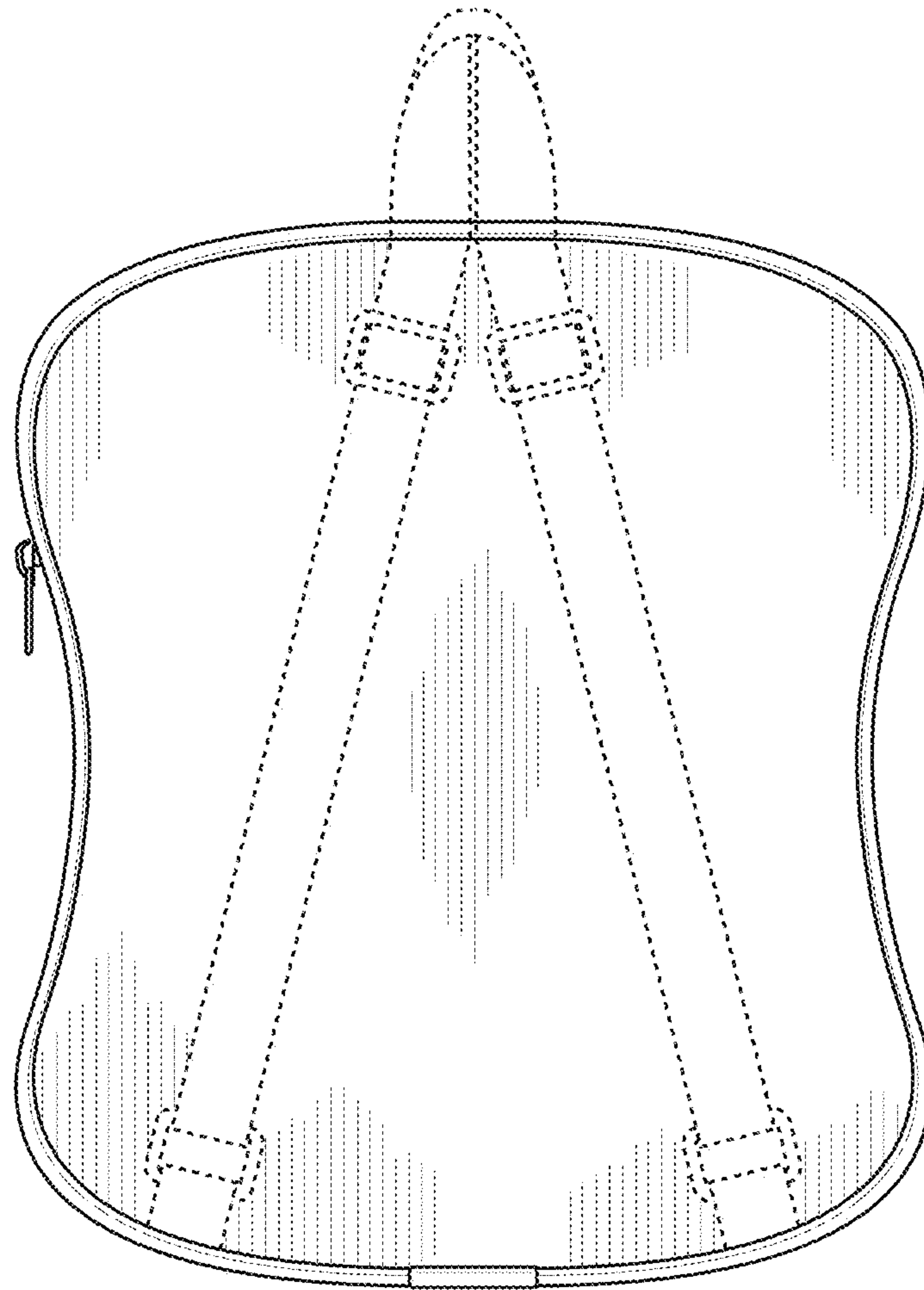


FIG. 3

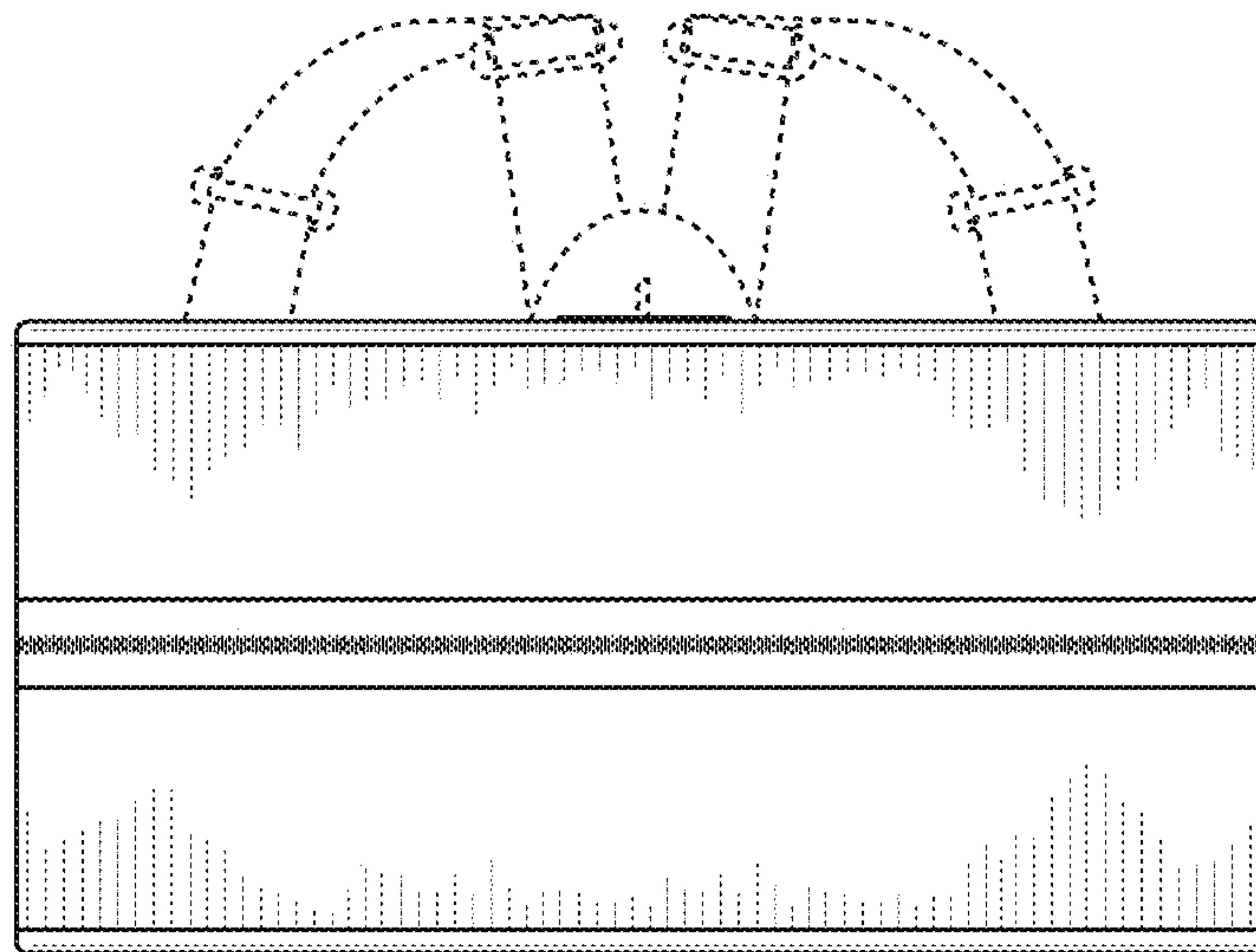


FIG.4

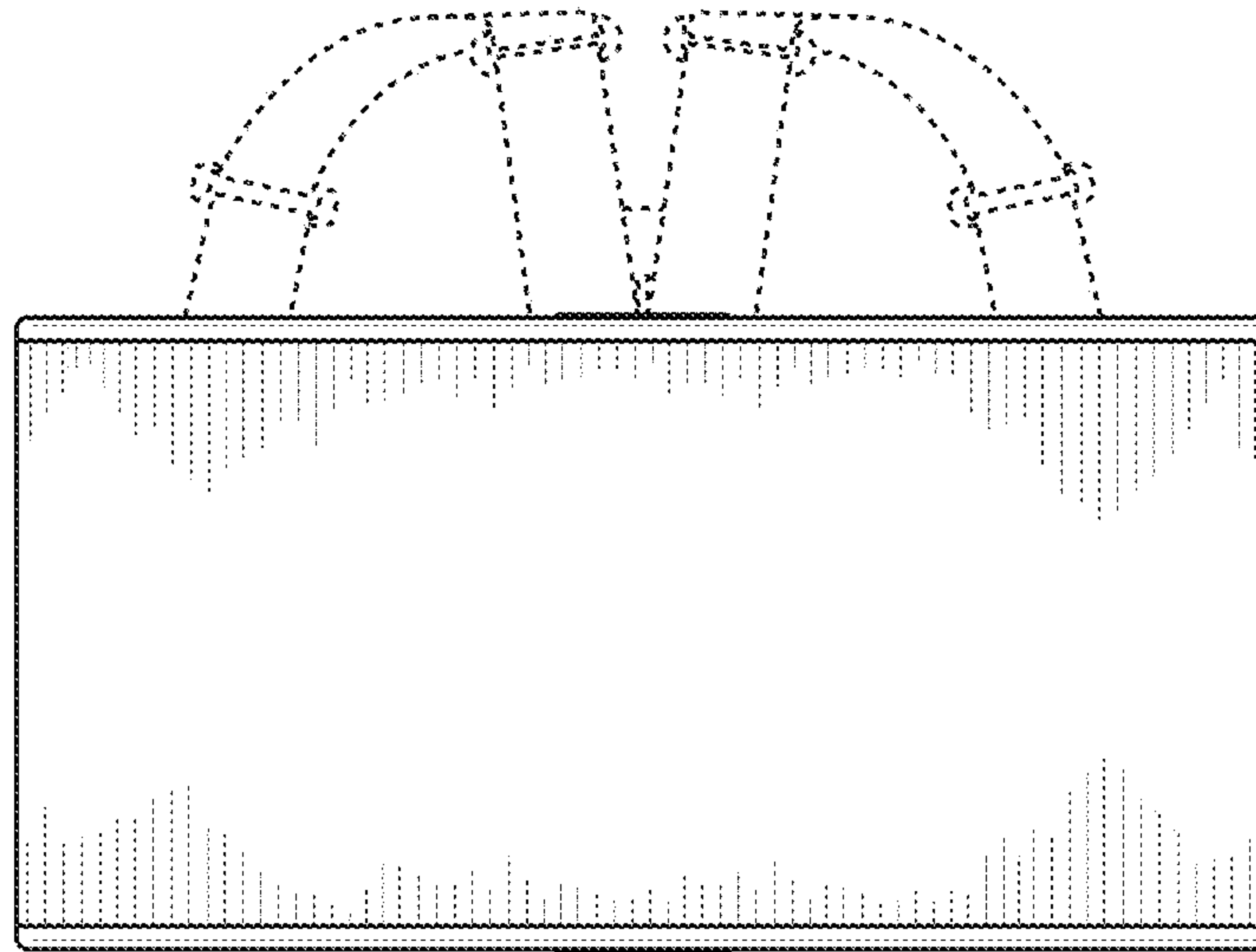


FIG.5



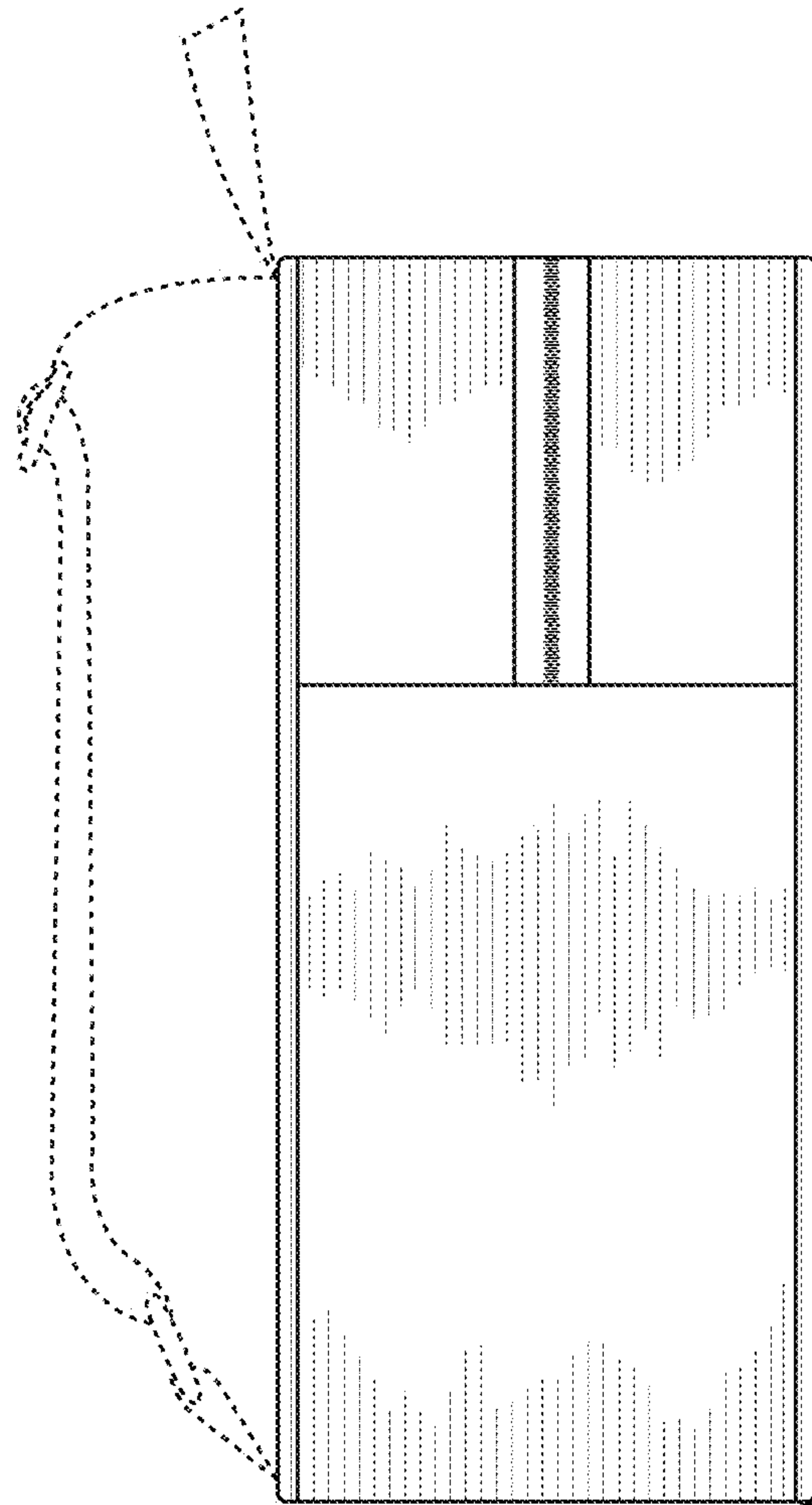


FIG.6

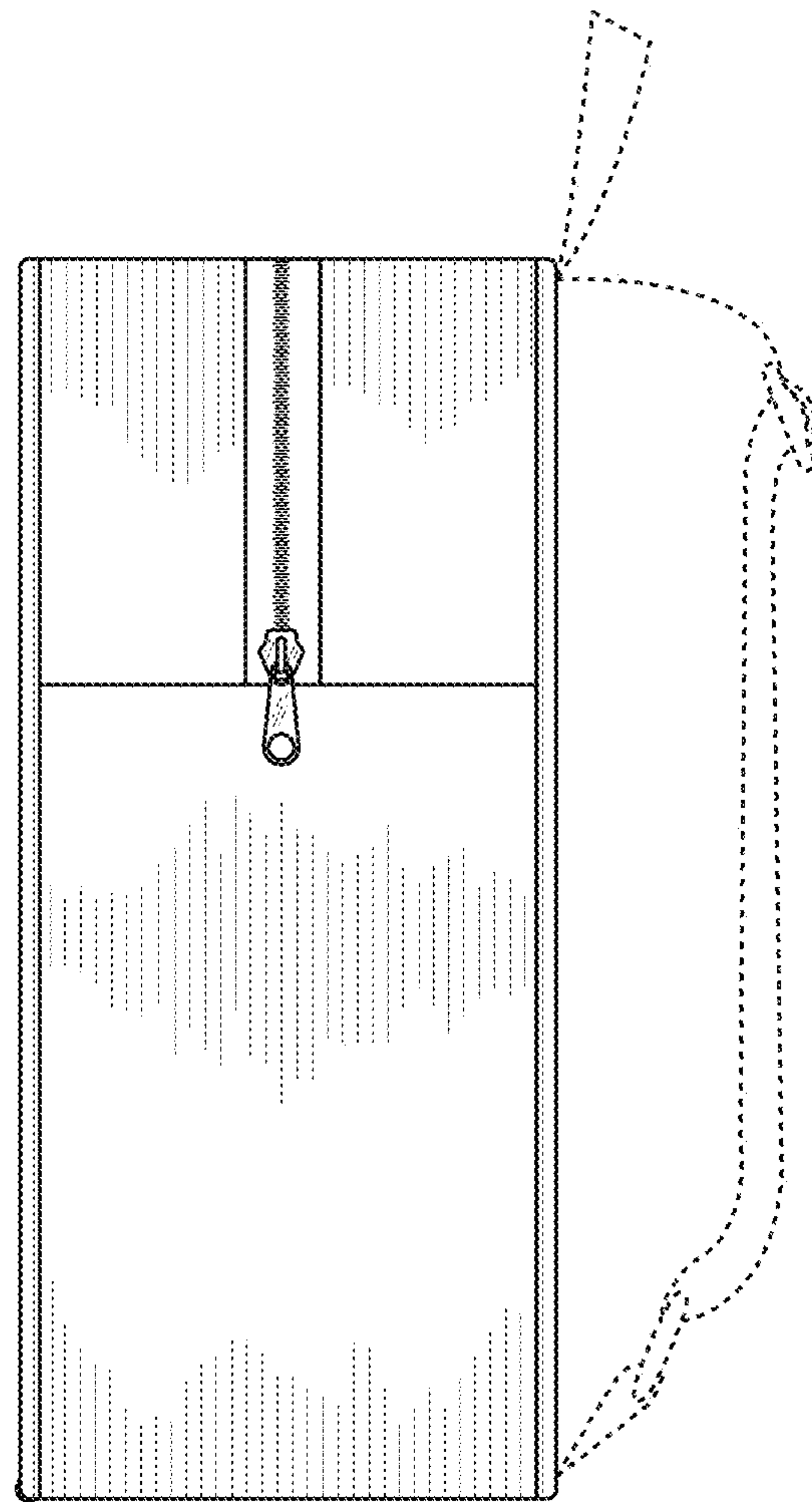


FIG.7