



US00D935765S

(12) **United States Design Patent** (10) **Patent No.:** **US D935,765 S**
Toda et al. (45) **Date of Patent:** **** Nov. 16, 2021**

(54) **PEN CASE**
(71) Applicant: **KING JIM CO., LTD.**, Tokyo (JP)
(72) Inventors: **Naotoshi Toda**, Tokyo (JP); **Yuto Wada**, Tokyo (JP)
(73) Assignee: **KING JIM CO., LTD.**, Tokyo (JP)
(**) Term: **15 Years**
(21) Appl. No.: **29/715,901**
(22) Filed: **Dec. 5, 2019**

(30) **Foreign Application Priority Data**
Jun. 28, 2019 (JP) 2019-014581
(51) **LOC (13) Cl.** **03-01**
(52) **U.S. Cl.**
USPC **D3/206; D3/301; D19/106**
(58) **Field of Classification Search**
USPC ... D3/203.1–203.8, 205–206, 215, 219, 226,
D3/247, 250–252, 263–266, 273,
D3/293–294, 298–299, 301, 303, 315,
D3/901; D6/515, 517, 534, 536;
D7/600.1, 600.4, 637; D9/734, 759–760;
D19/101–103, 106, 194–195; D27/172,
D27/180, 183, 186, 189–191; D28/73,
D28/76, 85–86, 91
CPC .. A24F 9/16; A24F 13/14; A24F 15/00; A24F
15/12; A24F 15/14; A24F 15/18; A24F
15/20; A24F 23/00; A24F 23/04; A24F
47/002; A24F 47/008; A45C 3/00; A45C
5/00; A45C 5/005; A45C 5/04; A45C
7/00; A45C 9/00; A45C 11/00; A45C
11/008; A45C 11/04; A45C 11/16; A45C
11/24; A45C 11/26; A45C 11/34; A45C
11/36; A45C 13/002; A45C 2011/007;
A45D 33/12; A45D 33/14; A45D 33/22;
(Continued)

(56) **References Cited**
U.S. PATENT DOCUMENTS
1,705,829 A * 3/1929 Stanley A24F 15/12
206/739
3,021,944 A * 2/1962 Moore A24F 15/18
206/92

(Continued)

OTHER PUBLICATIONS

Vertical Pencil Case, Large-Capacity Multi-Function Pencil Bag, first available Aug. 21, 2019, amazon.com [online], [site visited Apr. 21, 2021], Available at internet URL: <https://www.amazon.com/Vertical-Large-Capacity-Multi-Function-Stationery-Suitable/dp/B07WTWN4LK> (Year: 2019).*

(Continued)

Primary Examiner — April Rivas
Assistant Examiner — Caitlin A Laverty
(74) *Attorney, Agent, or Firm* — Manabu Kanesaka

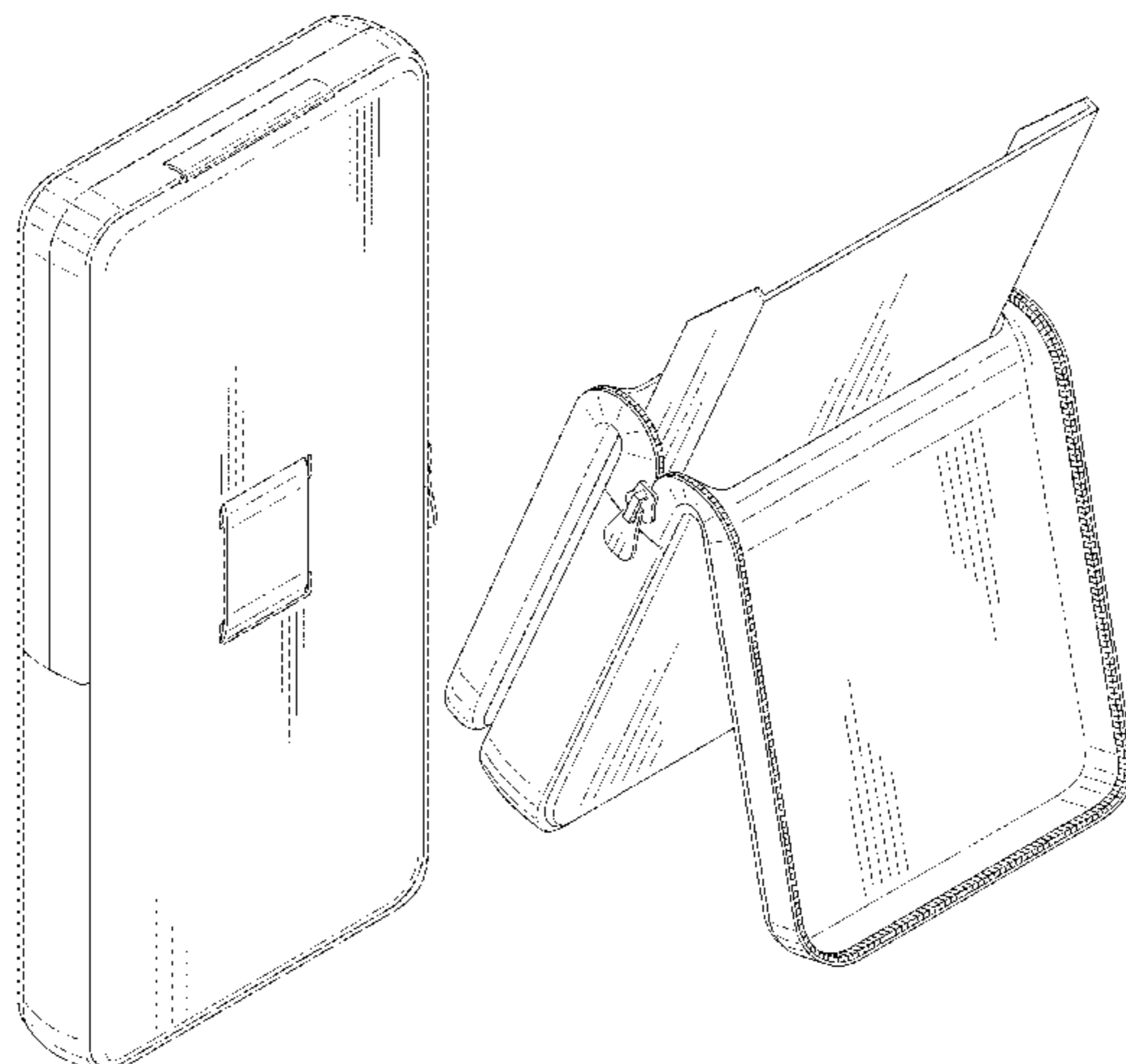
(57) **CLAIM**

The ornamental design for a pen case, as shown and described.

DESCRIPTION

FIG. 1 is a perspective view of a pen case showing our new design;
FIG. 2 is a front view thereof;
FIG. 3 is a rear view thereof;
FIG. 4 is a plan view thereof;
FIG. 5 is a bottom view thereof;
FIG. 6 is a right side view thereof;
FIG. 7 is a left side view thereof;
FIG. 8 is a right side view wherein the front lid is fully folded and the rear lid is half folded;
FIG. 9 is a right side view wherein the front lid is fully folded and the rear lid is three-quarters folded and is used as a leaning leg; and,
FIG. 10 is a rear perspective view thereof.

1 Claim, 8 Drawing Sheets



(58) **Field of Classification Search**

CPC A45D 33/24; A45D 33/26; A45D 33/28;
 A45D 34/00; A45D 34/04; A45D 34/041;
 A45D 34/06; A45D 40/00; A45D 40/18;
 A45D 40/26; A45D 40/261; A45D
 40/262; A45D 44/11; A45D 44/18; A47F
 7/02; A47F 7/021; A61J 1/00; A61J 1/03;
 A61J 7/04; A61J 7/0084; B65D 1/36;
 B65D 43/16; B65D 50/04; B65D 83/04;
 B65D 83/0445; B65D 83/0481; B65D
 85/00; B65D 85/02; B65D 85/10

See application file for complete search history.

D575,952 S * 9/2008 Forbes D3/203.1
 7,484,326 B2 * 2/2009 Tamura A47G 1/143
 248/463
 D685,187 S * 7/2013 Willows D3/301
 D822,996 S * 7/2018 Ehara D3/301
 D857,391 S * 8/2019 Coleman D3/301
 D858,085 S * 9/2019 Hoshikawa D3/205
 D874,816 S * 2/2020 Higuchi D3/206
 D920,673 S * 6/2021 Ormsbee D3/303
 2013/0140202 A1 * 6/2013 Benoit A45C 5/00
 206/278

OTHER PUBLICATIONS

“King Jim, pen case “PACALI” that opens and stands on its own with “Pakari”” by Kazuya Sakakibara, article posted Aug. 6, 2019, translated from Japanese to English by Google, watch.impress.co.jp [online] [site visited Apr. 21, 2021], Available at internet URL: <https://www.watch.impress.co.jp/docs/news/1200325.html> (Year: 2019).*

King Jim Pencase “PACALI” vertical type, unknown first available date, kingjim.co.jp [online], [site visited Apr. 21, 2021], Available at internet URL: <https://www.kingjim.co.jp/sp/english/pacali/> (Year: 2021).*

* cited by examiner

(56) **References Cited**

U.S. PATENT DOCUMENTS

3,784,046 A * 1/1974 Cata A45C 11/24
 220/826
 4,141,401 A * 2/1979 Hindemit A45C 11/00
 206/305
 4,613,041 A * 9/1986 Carlton B65D 85/00
 206/373
 D379,262 S * 5/1997 Seigel D3/218
 D491,357 S * 6/2004 Hassett D3/263
 D565,837 S * 4/2008 Miles D3/203.1

Fig. 1

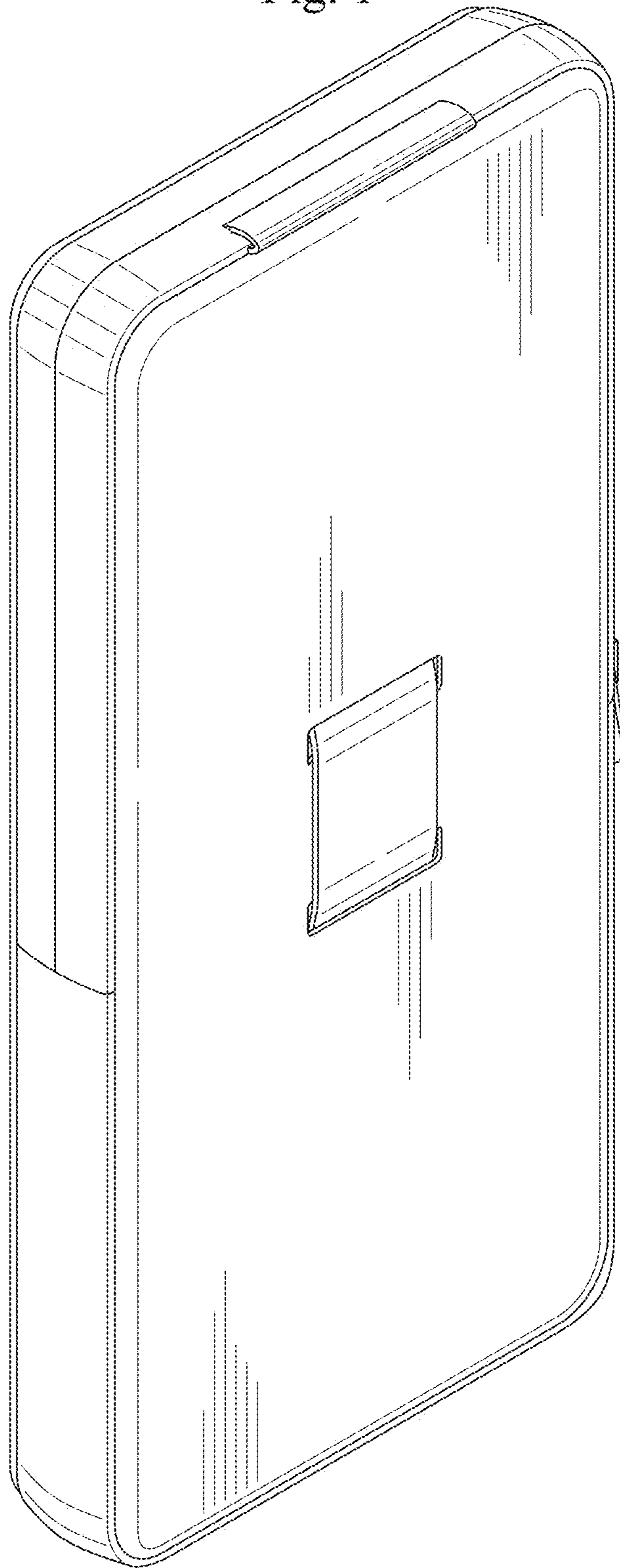


Fig. 2

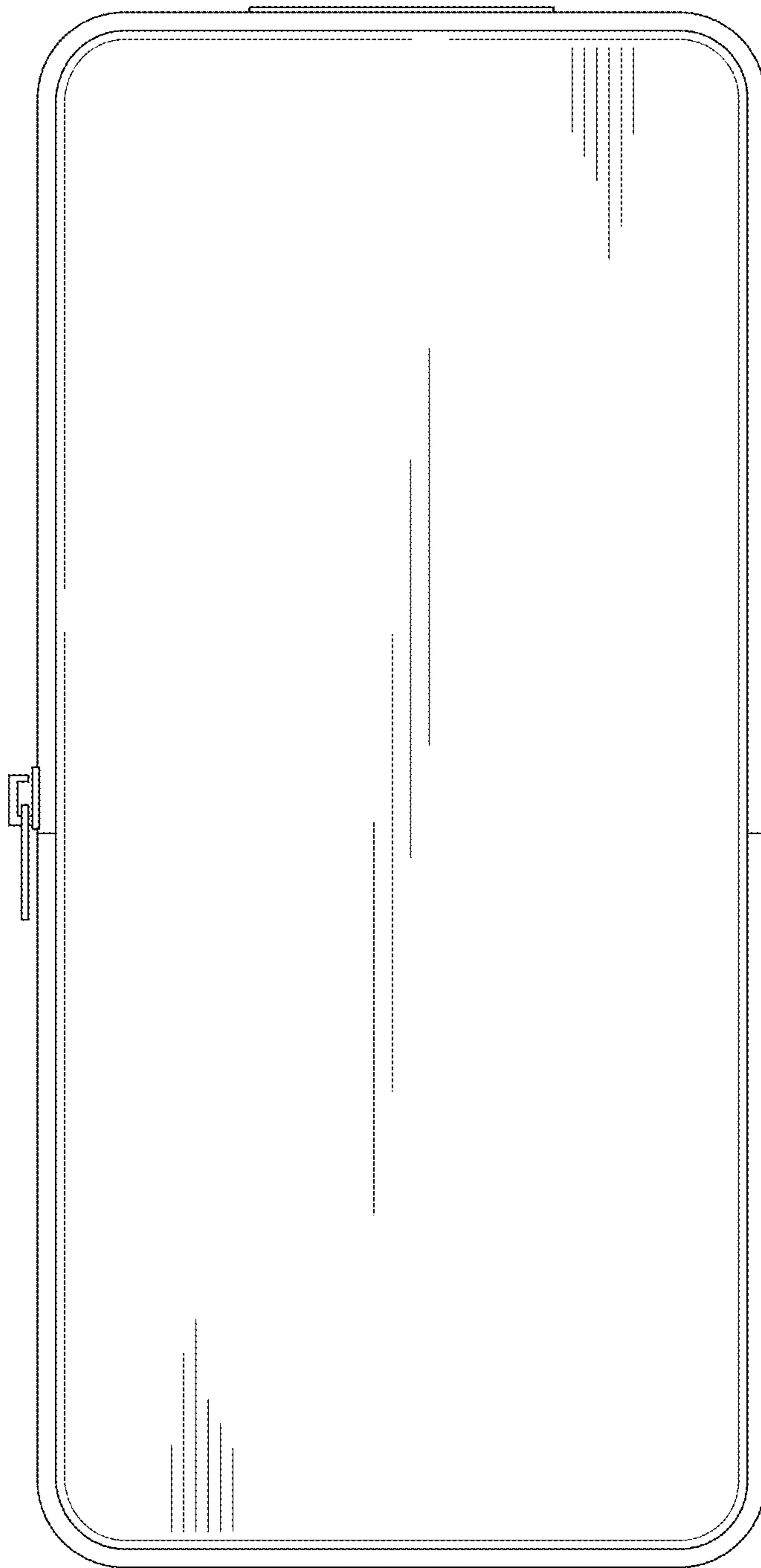


Fig. 3

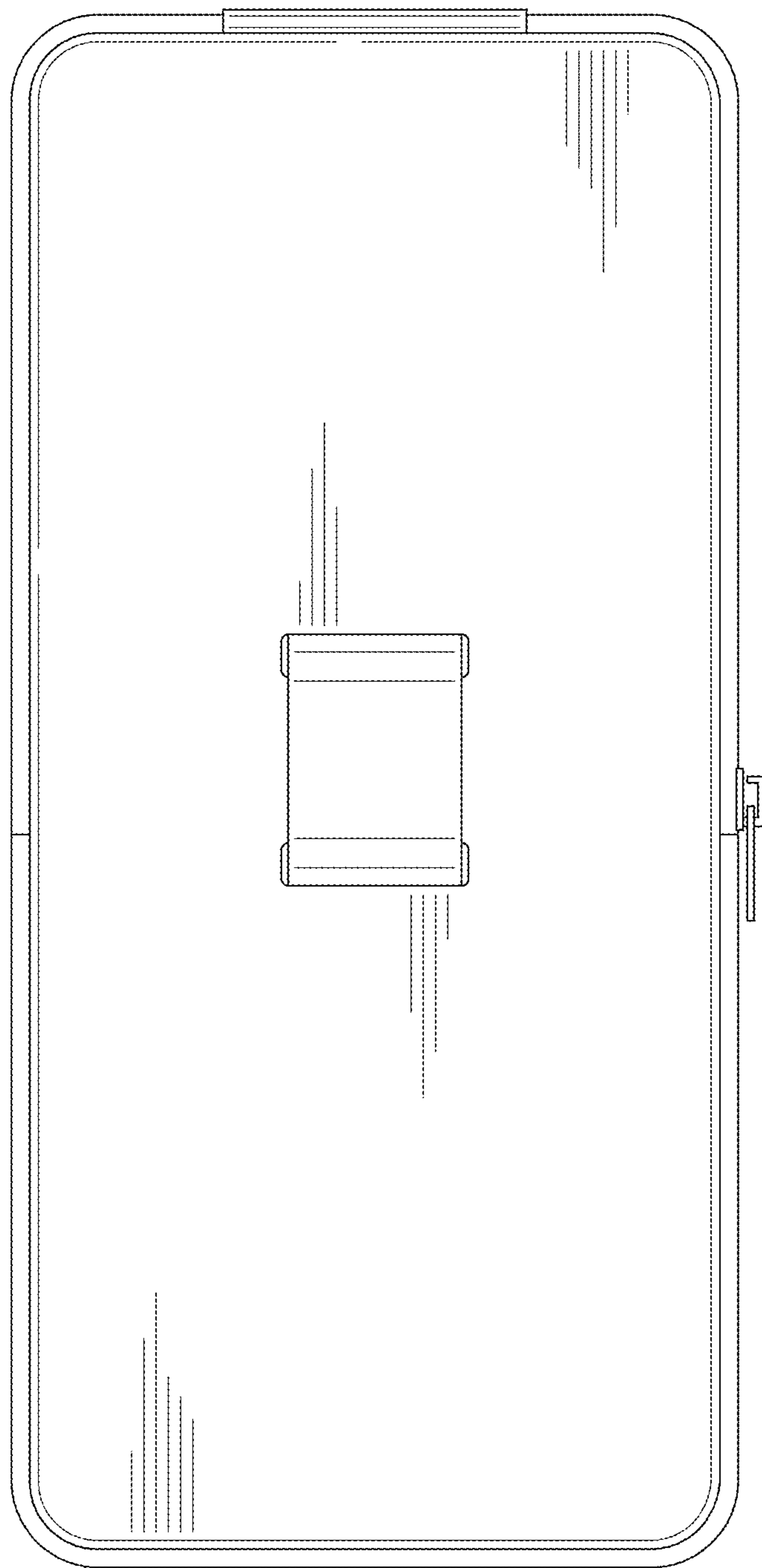


Fig. 4

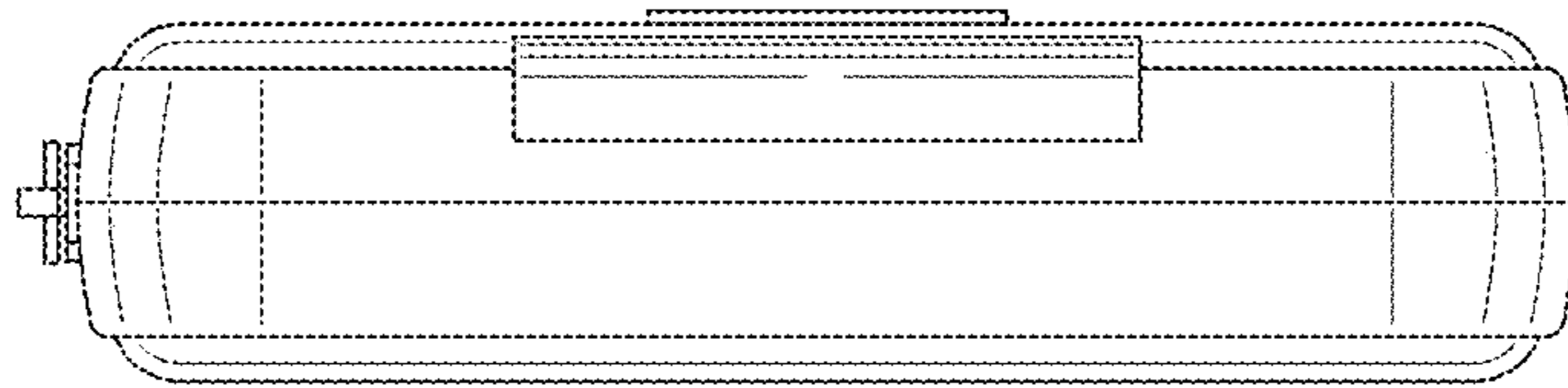


Fig. 5

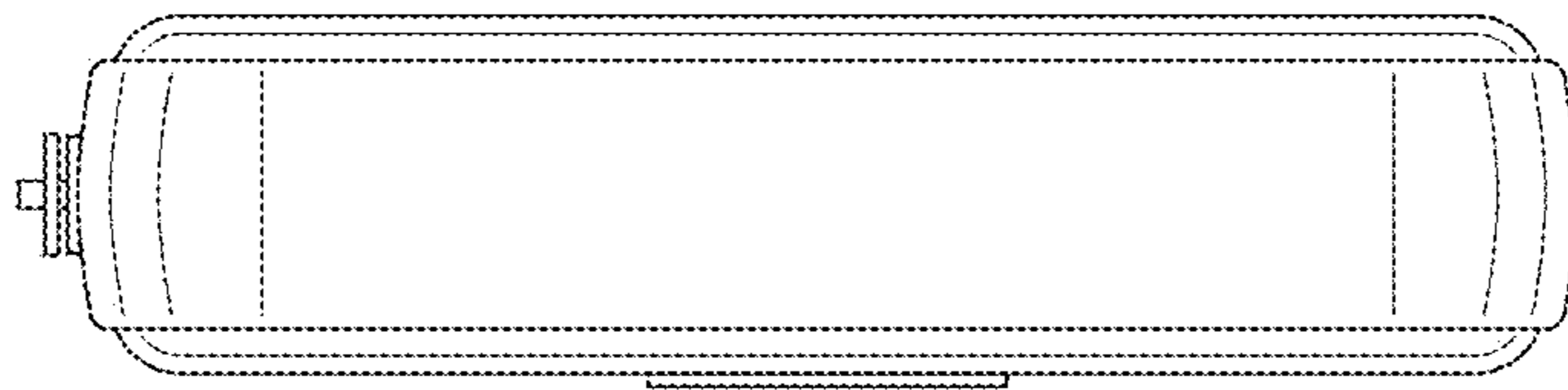


Fig. 6

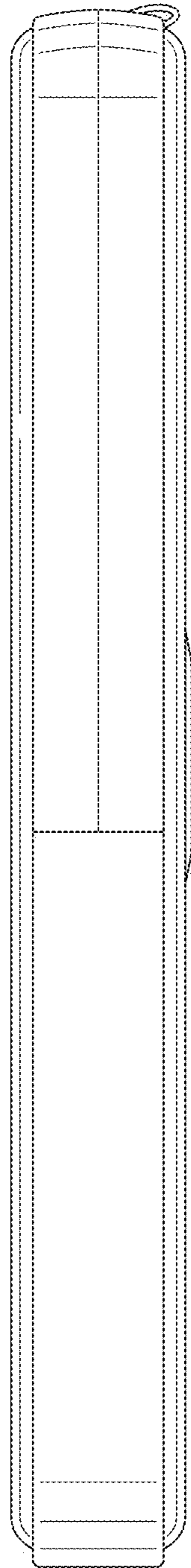


Fig. 7

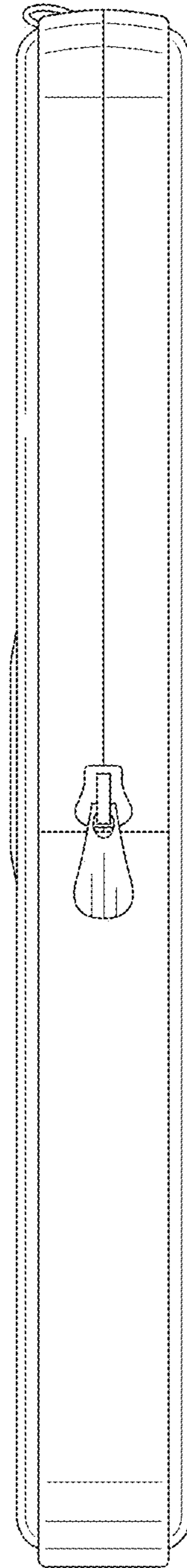


Fig. 8

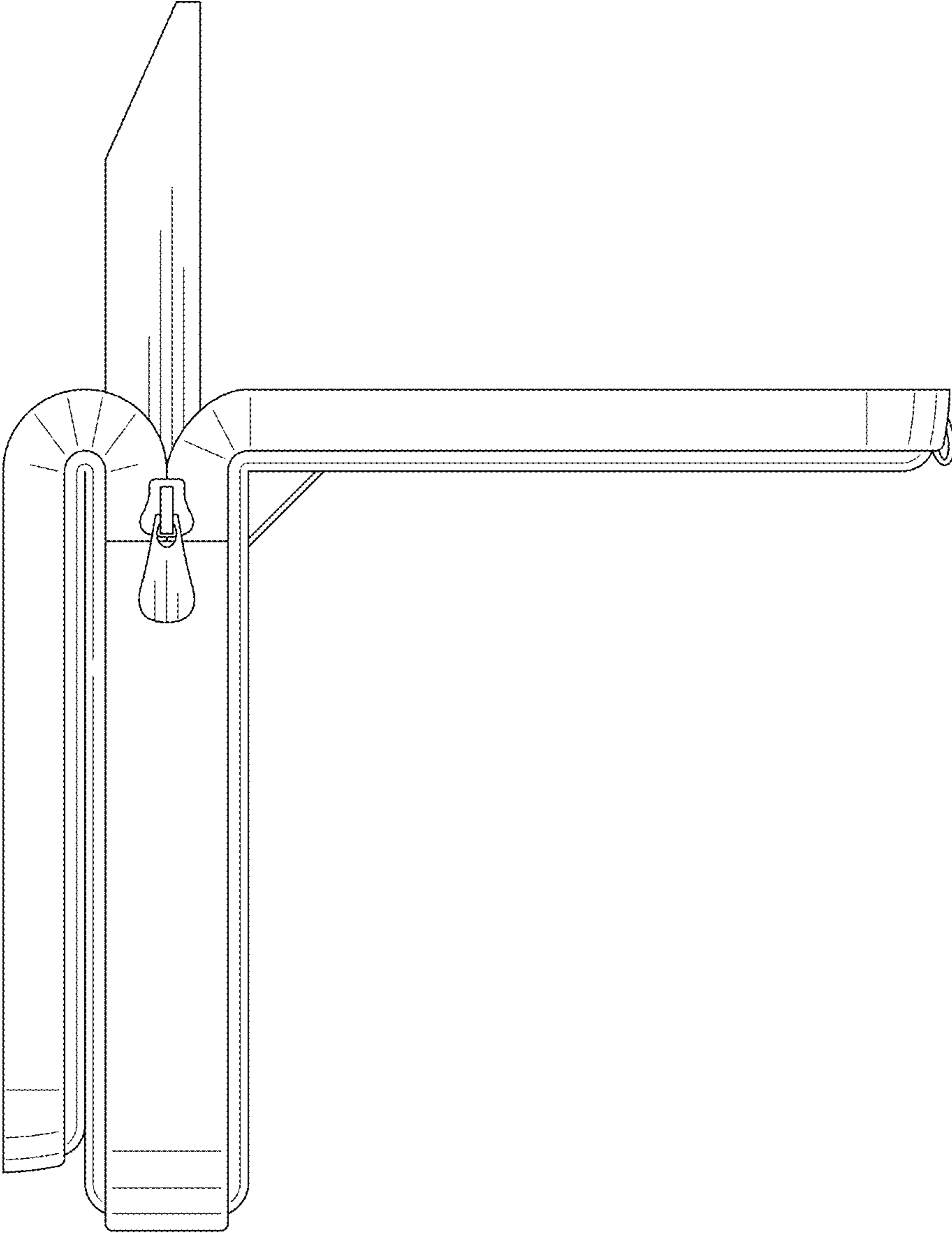


Fig. 9

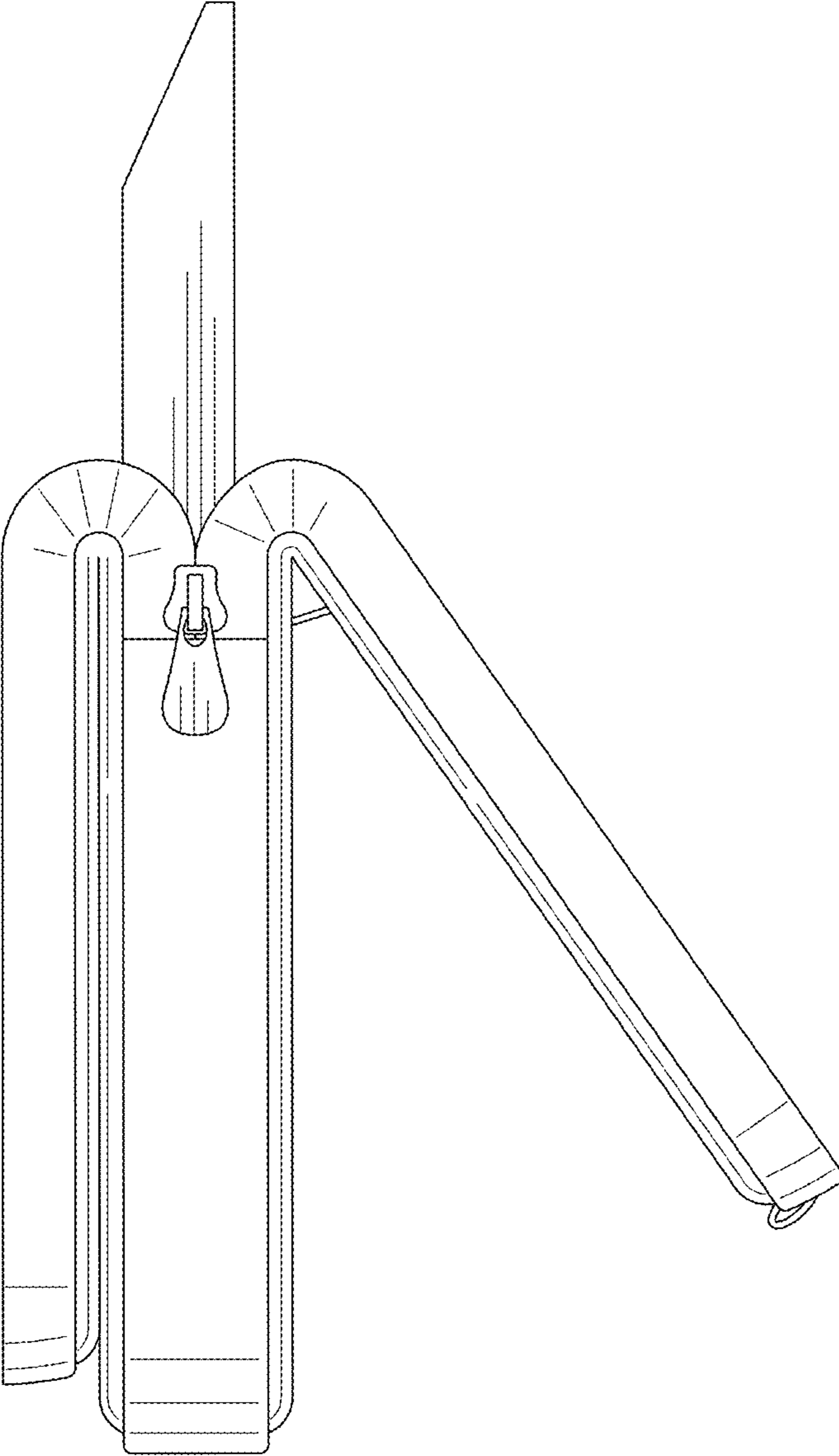


Fig. 10

