

US00D935763S

(12) **United States Design Patent** (10) **Patent No.:** **US D935,763 S**  
**Lu** (45) **Date of Patent:** **\*\* Nov. 16, 2021**

(54) **BAG**  
(71) Applicant: **Jie Lu**, Shenzhen (CN)  
(72) Inventor: **Jie Lu**, Shenzhen (CN)  
(\*\*) Term: **15 Years**  
(21) Appl. No.: **29/753,031**  
(22) Filed: **Sep. 29, 2020**  
(51) **LOC (13) Cl.** ..... **03-02**  
(52) **U.S. Cl.**  
USPC ..... **D3/205**  
(58) **Field of Classification Search**  
USPC ..... D3/205  
CPC ..... A45C 11/34; A45C 11/36  
See application file for complete search history.

D632,079 S \* 2/2011 Spencer ..... D3/301  
D740,019 S 10/2015 Hynek  
D790,211 S 6/2017 Constantini  
D866,180 S \* 11/2019 Johan ..... D3/265  
D879,462 S \* 3/2020 Si ..... D3/206  
D897,667 S \* 10/2020 Taylor ..... D3/206  
D913,758 S \* 3/2021 Diener ..... D7/709  
D927,171 S \* 8/2021 Xie ..... D3/206  
D927,180 S \* 8/2021 Lopez ..... D3/265

\* cited by examiner

*Primary Examiner* — Charles D Hanson

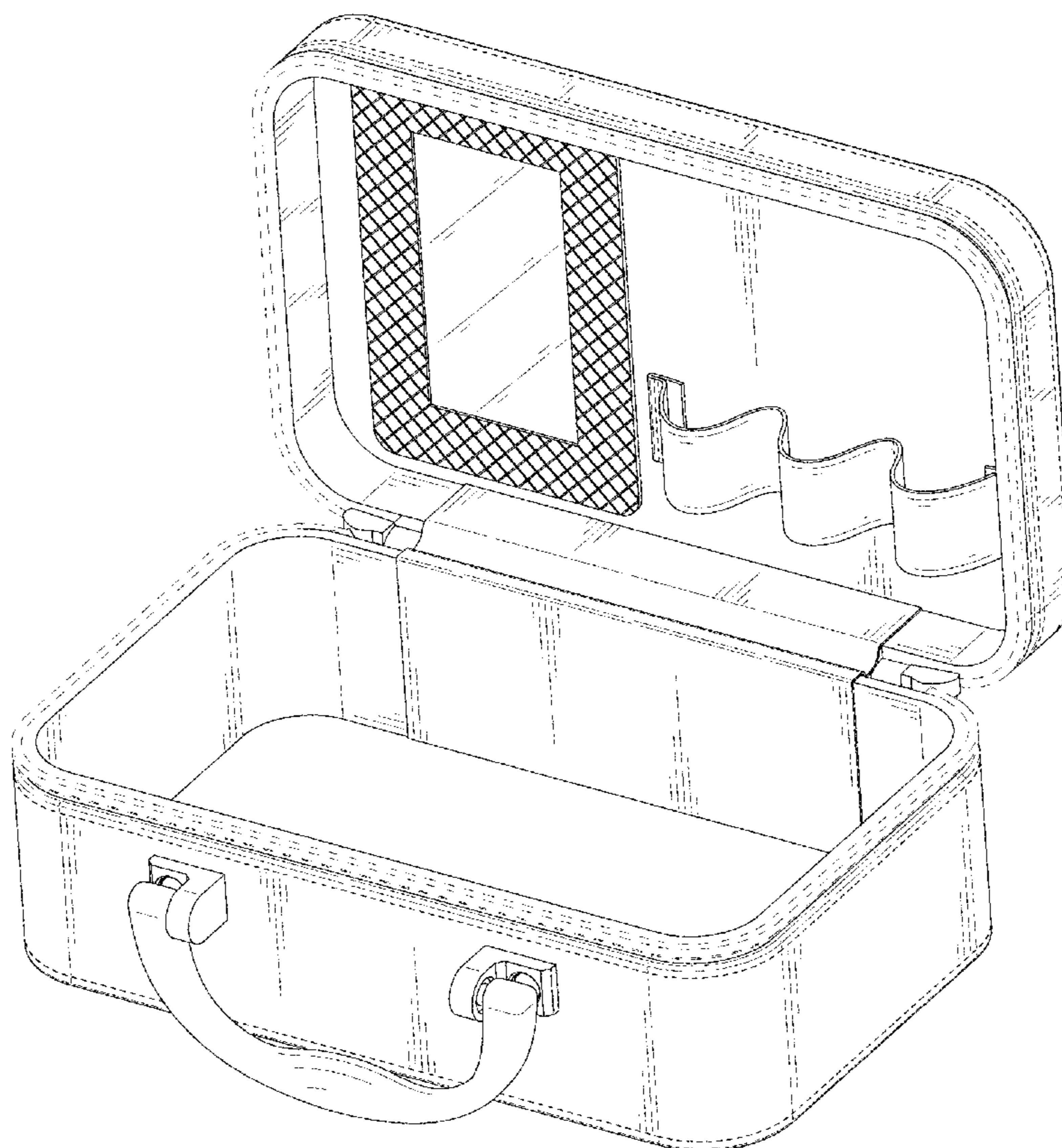
(57) **CLAIM**  
The ornamental design for a bag, as shown and described.

**DESCRIPTION**

FIG. 1 is a perspective view of a bag showing my new design;  
FIG. 2 is another perspective view thereof;  
FIG. 3 is a front elevational view thereof;  
FIG. 4 is a rear elevational view thereof;  
FIG. 5 is a left side elevational view thereof;  
FIG. 6 is a right side elevational view thereof;  
FIG. 7 is a top plan view thereof;  
FIG. 8 is a bottom plan view thereof; and,  
FIG. 9 is a perspective view of the bag where the bag is in a close state.  
The thick short even-spaced broken lines in the drawings depict stitching that form no part of the claimed design. The thin long even-spaced broken lines in the drawings depict portions of the bag that form no part of the claimed design.

(56) **References Cited**  
U.S. PATENT DOCUMENTS  
2,556,066 A \* 6/1951 Cline ..... A45C 11/008  
190/111  
D335,896 S \* 5/1993 Evenson ..... D19/83  
D359,163 S \* 6/1995 Summerfield ..... D3/205  
D423,055 S \* 4/2000 Demsien ..... D19/81  
D450,921 S \* 11/2001 Kirkland ..... D19/77  
D455,005 S \* 4/2002 Wolf ..... D3/205  
D486,634 S \* 2/2004 Fonfeder ..... D3/206  
D487,188 S \* 3/2004 Fonfeder ..... D3/206  
D492,106 S \* 6/2004 Fonfeder ..... D3/206  
D611,697 S 3/2010 Hay

**1 Claim, 9 Drawing Sheets**



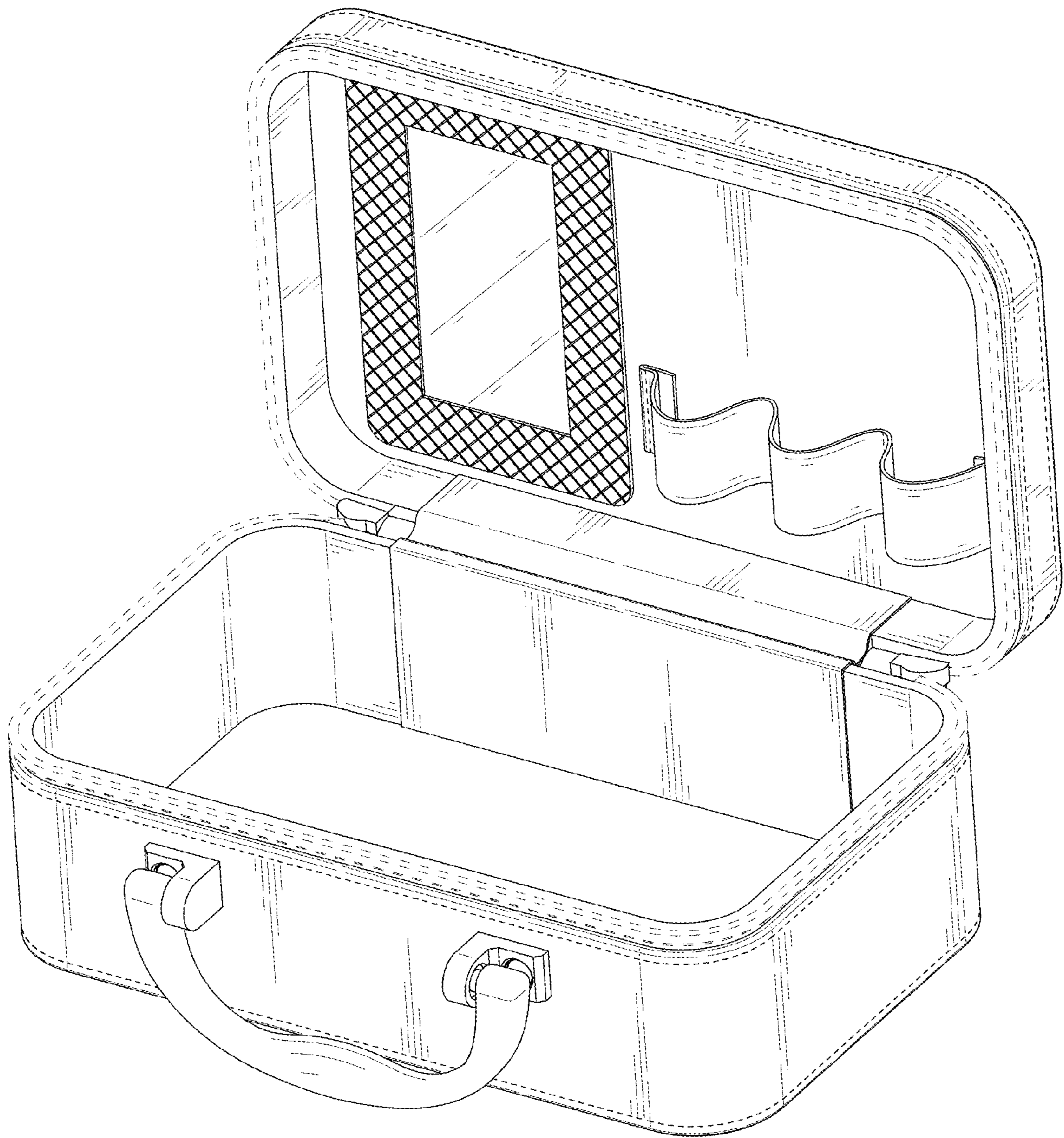


FIG. 1

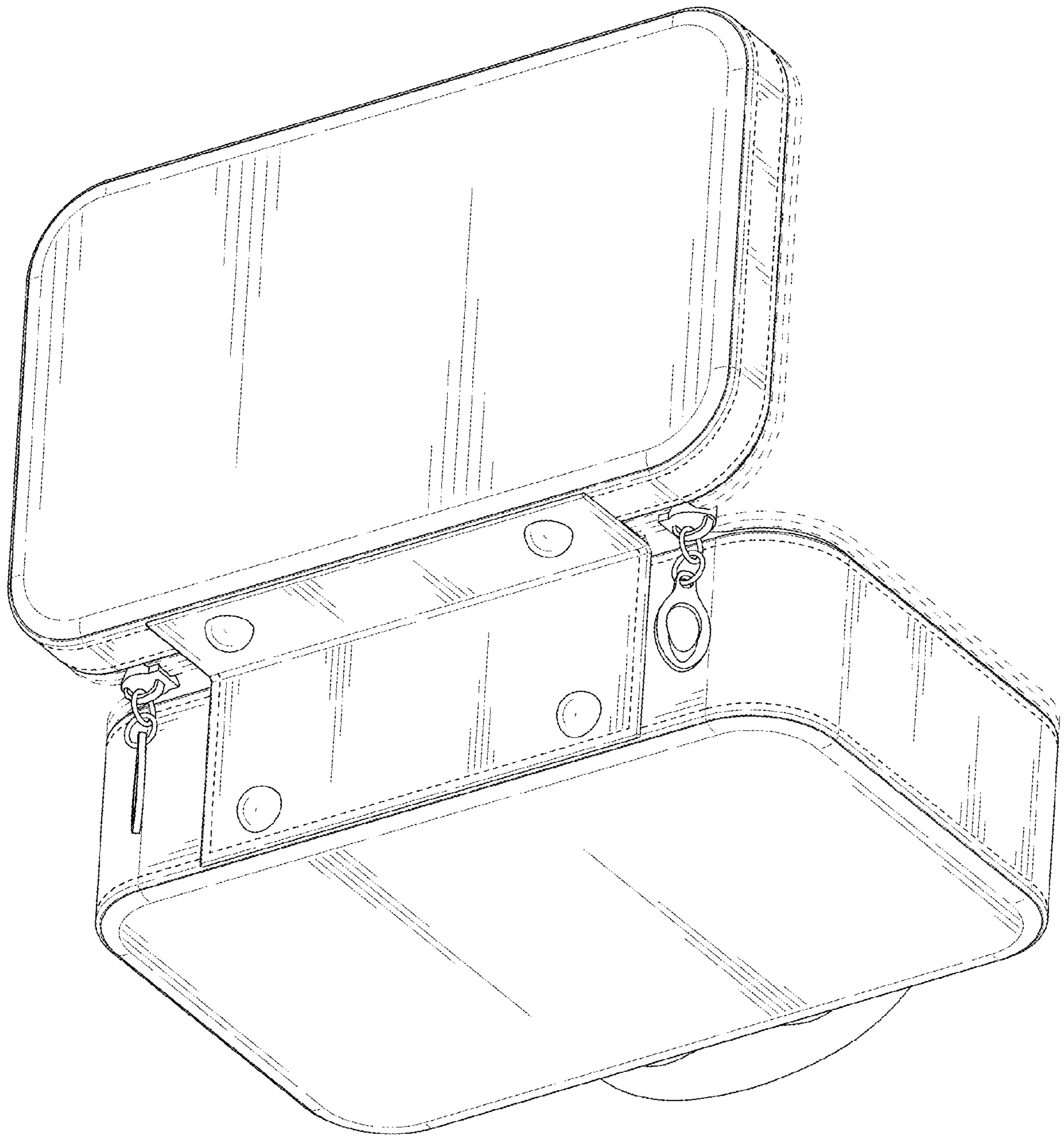


FIG. 2

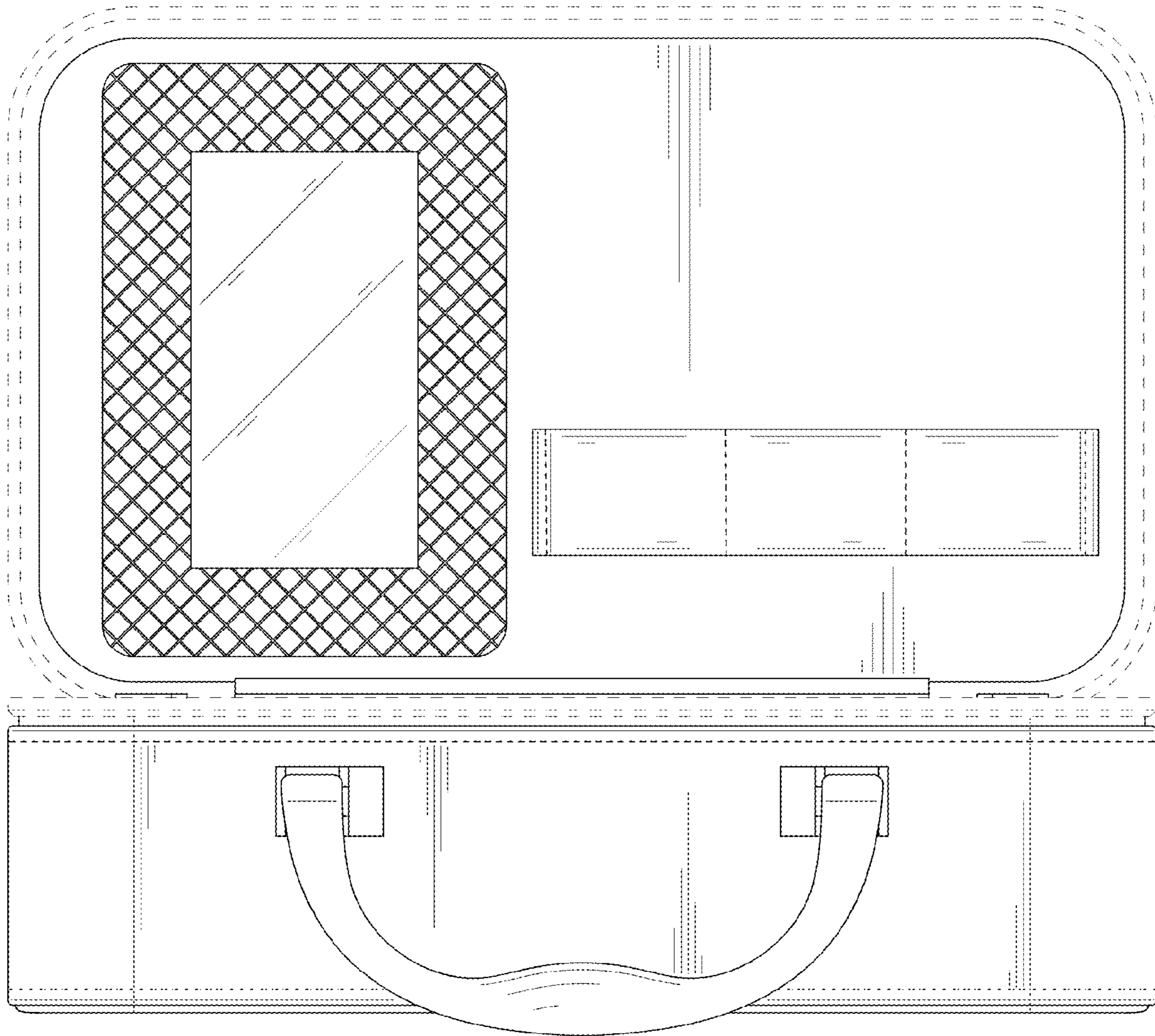


FIG. 3

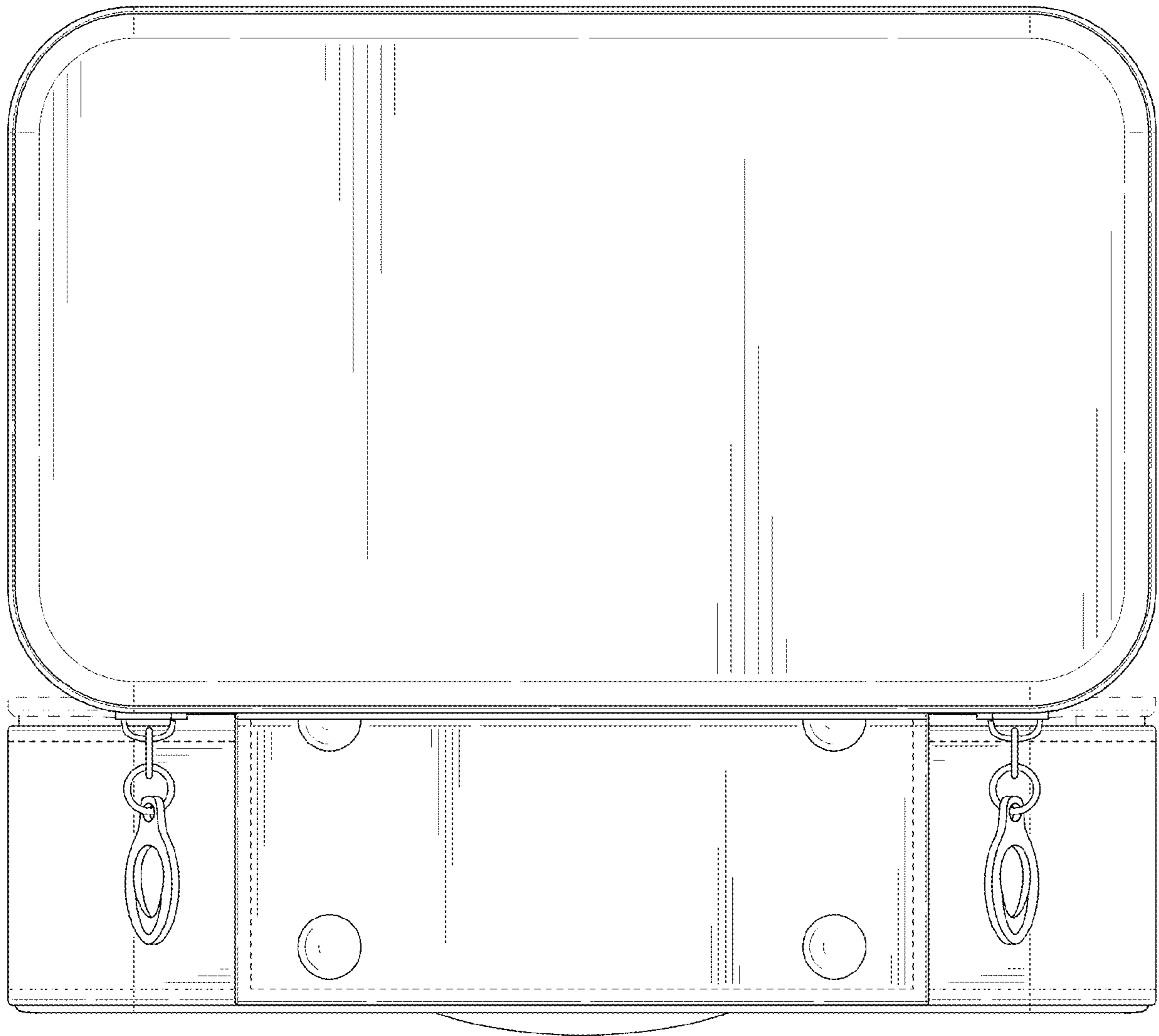


FIG. 4

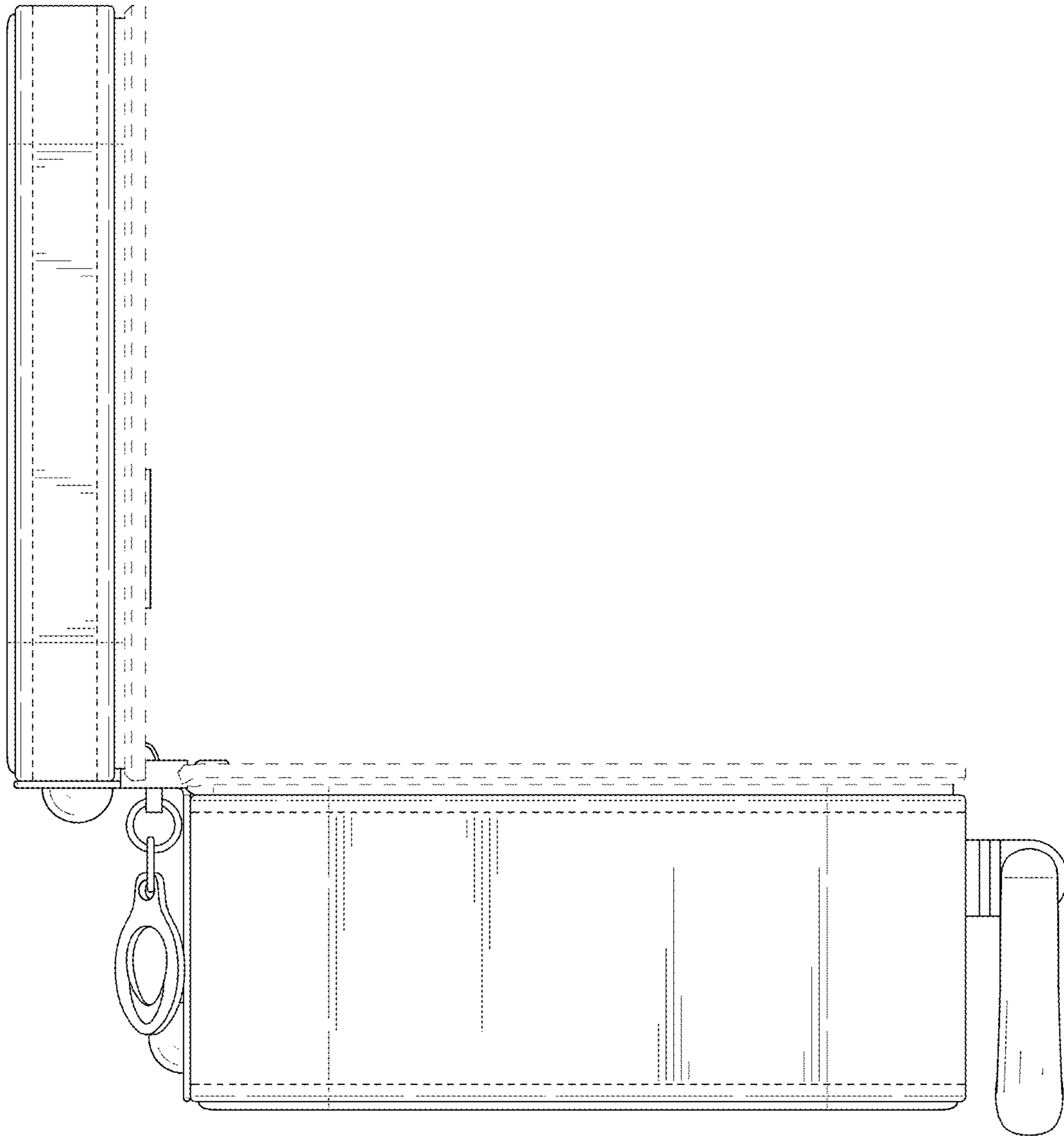


FIG. 5

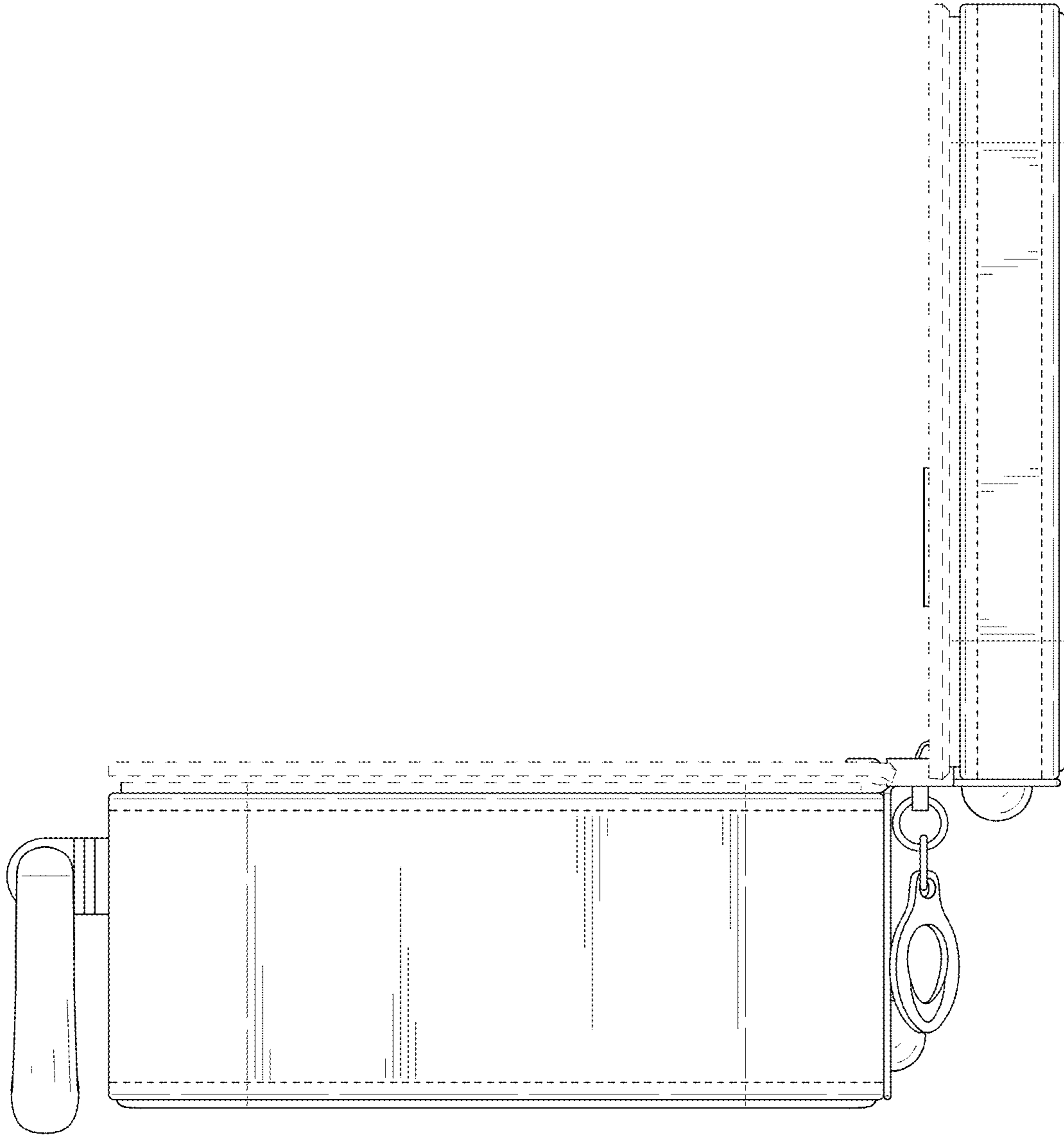


FIG. 6

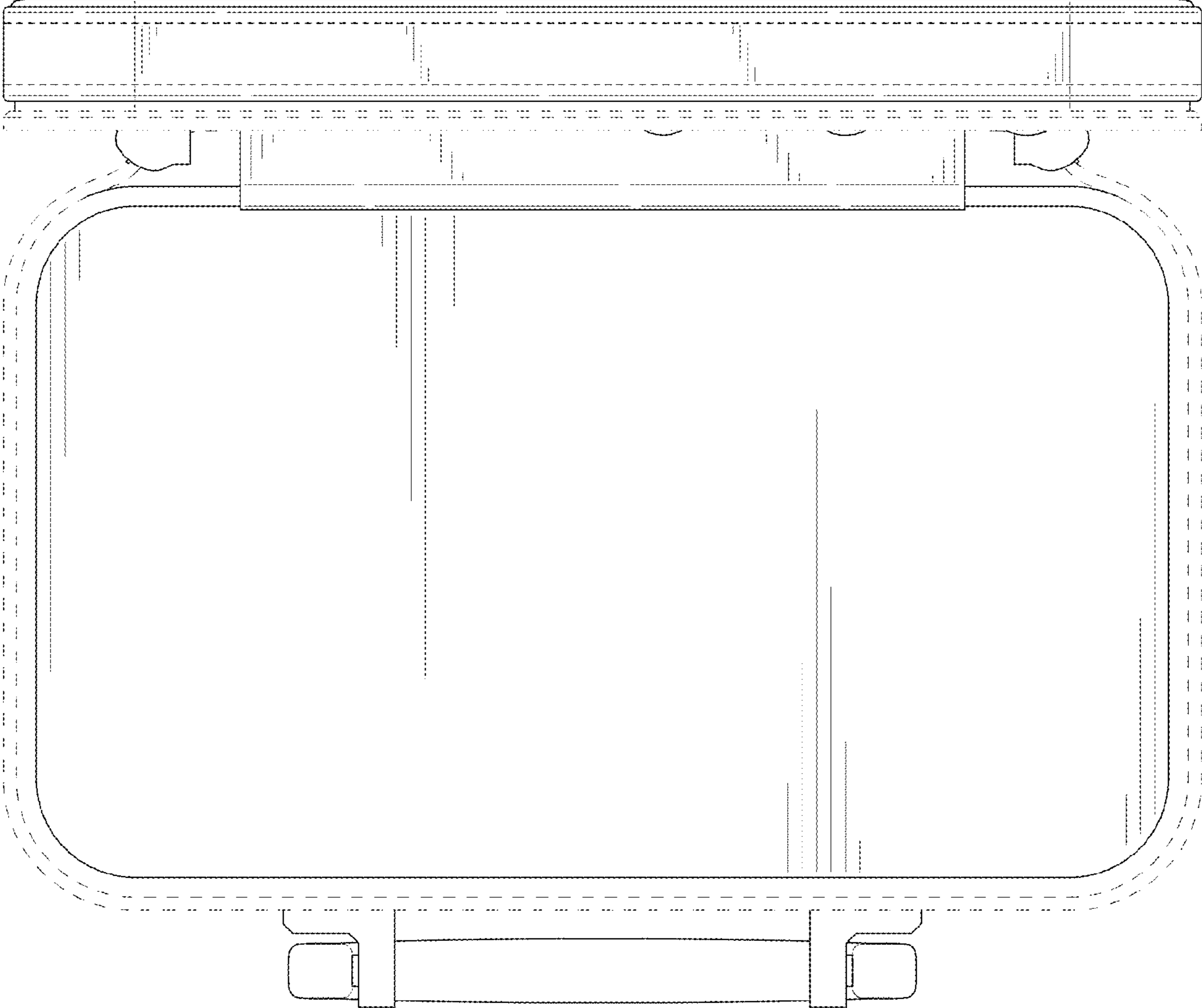


FIG. 7



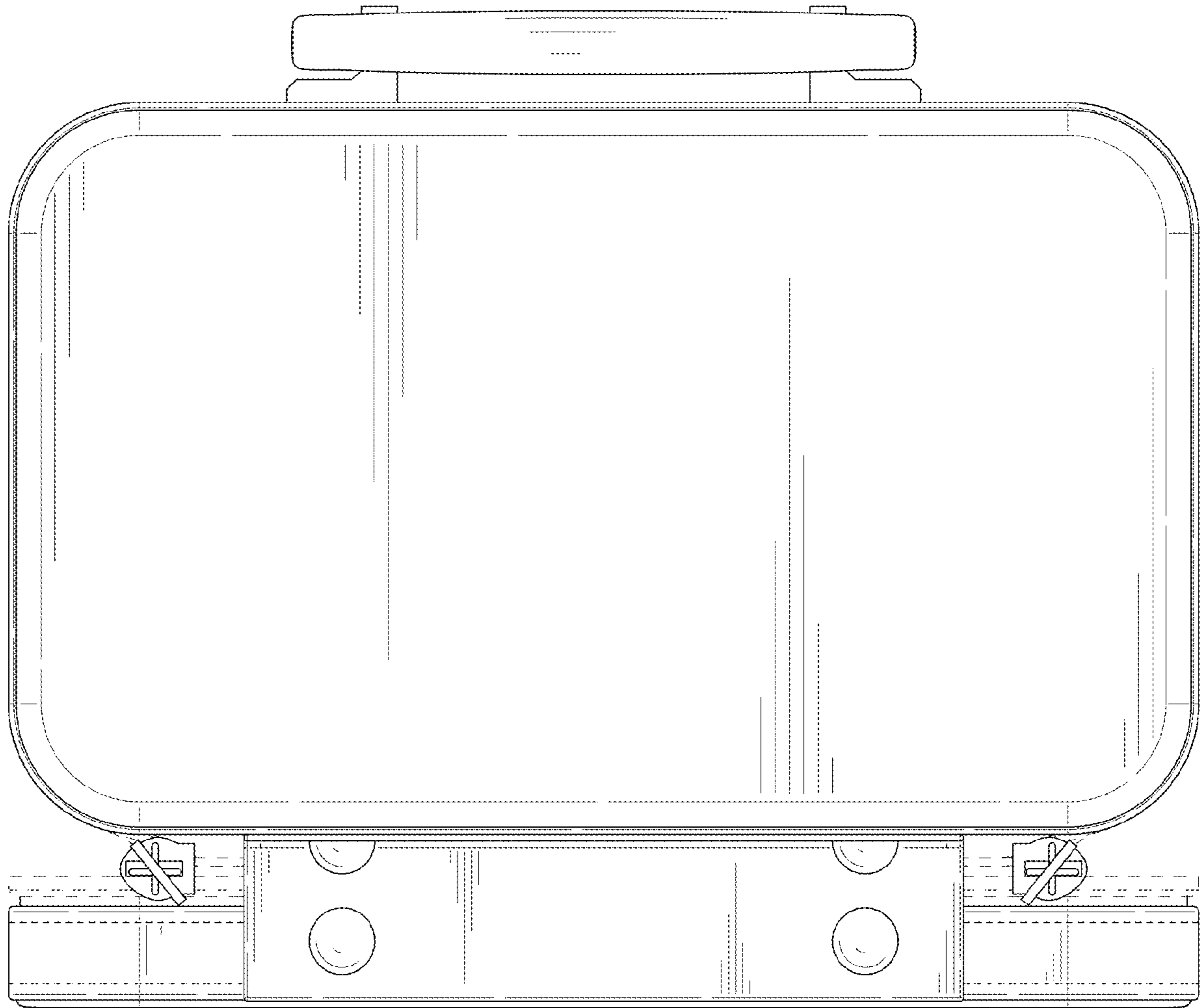


FIG. 8

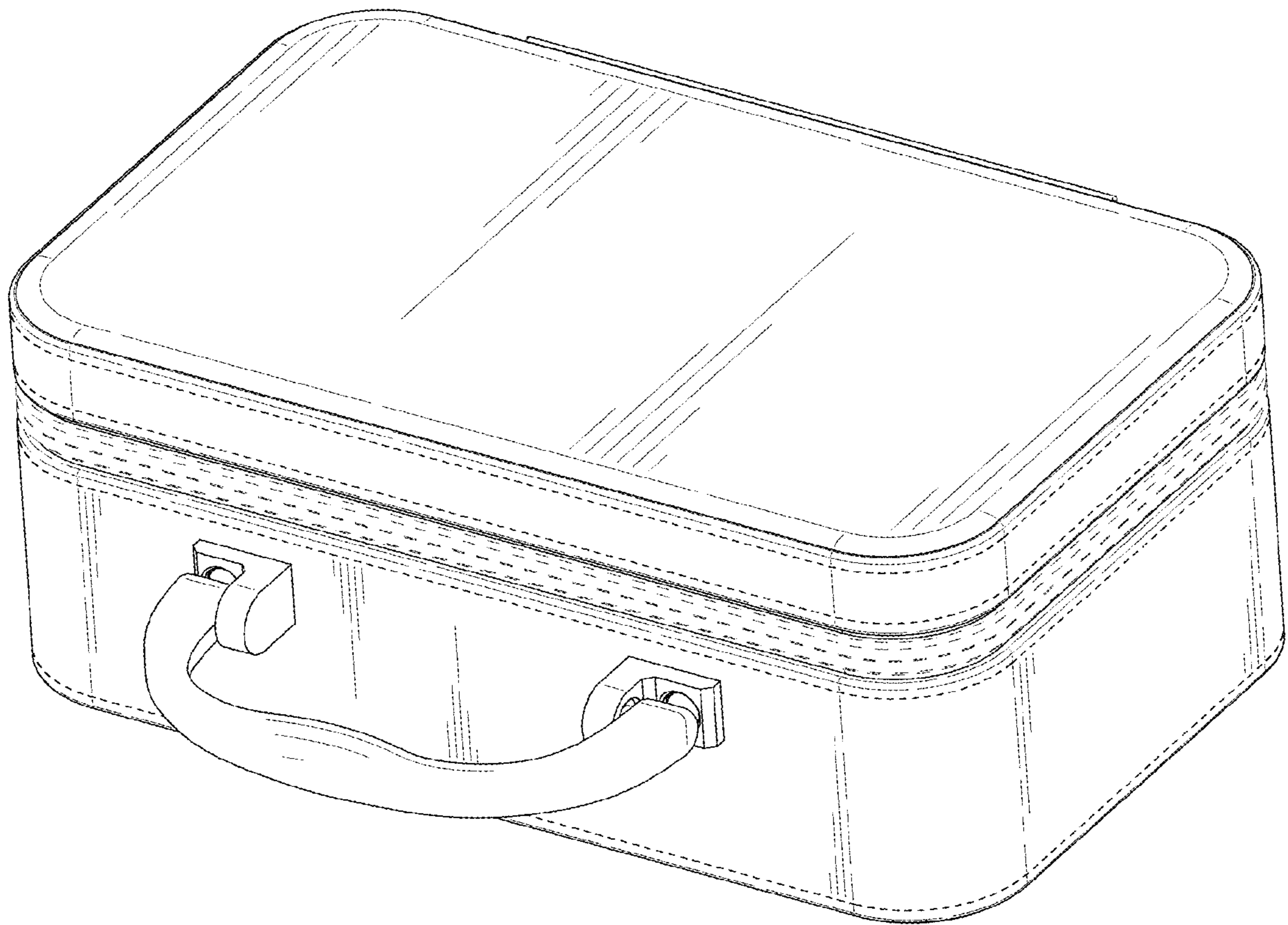


FIG. 9