



US00D935762S

(12) **United States Design Patent** (10) **Patent No.:** **US D935,762 S**
Ma (45) **Date of Patent:** **** Nov. 16, 2021**

(54) **UMBRELLA RUNNER**

FOREIGN PATENT DOCUMENTS

(71) Applicant: **Zhun-An Ma**, Arcadia, CA (US)

CN 202190859 4/2012
DE 3820573 8/1989

(72) Inventor: **Zhun-An Ma**, Arcadia, CA (US)

(Continued)

(**) Term: **15 Years**

OTHER PUBLICATIONS

(21) Appl. No.: **29/712,584**

Rectangular Cantilever Outdoor Umbrella, 11'x10' Rectangular Cantilever Outdoor Umbrella—Rustproof Aluminum Frame, Bronze, potterybarn.com, <https://www.potterybarn.com/products/round-cantilever-umbrella-canopy-pole-set-sunbrella-solid/> (Year: 2021).*

(22) Filed: **Nov. 8, 2019**

(Continued)

(51) **LOC (13) Cl.** **03-03**

(52) **U.S. Cl.**
USPC **D3/10**

(58) **Field of Classification Search**
USPC D3/5, 6, 10
CPC A45B 11/00; A45B 17/00; A45B 19/00;
A45B 23/00; A45B 2023/0012; A45B
2023/0031; A45B 2023/0037; A45B
2023/0043; A45B 2023/005; A45B
2023/0056; A45B 25/00; A45B 25/06;
A45B 25/08; A45B 25/14

Primary Examiner — Steven J Czyz

(74) *Attorney, Agent, or Firm* — Knobbe, Martens, Olson & Bear, LLP

(57) **CLAIM**

The ornamental designs for an umbrella runner, as shown and described.

See application file for complete search history.

DESCRIPTION

(56) **References Cited**

U.S. PATENT DOCUMENTS

90,883 A	6/1869	Smith
D33,847 S	1/1901	Gaskill
878,270 A	2/1908	Blake et al.
911,169 A	2/1909	Smith
919,954 A	4/1909	Riehl
941,952 A	11/1909	Riehl
950,913 A	3/1910	Hartzell
956,396 A	4/1910	Mills et al.
956,657 A	5/1910	Wetteroth
957,528 A	5/1910	Wetteroth
D45,227 S	2/1914	Glauber
1,136,887 A	4/1915	Penn
1,264,799 A	8/1916	Howard

(Continued)

FIG. 1 is a perspective view of a portion of my design as illustrated in FIG. 2 showing an umbrella in phantom lining, an umbrella being one non-limiting environment in which the new design can be used;

FIG. 2 is a top, front, and right side perspective view of an umbrella runner embodying my new design;

FIG. 3 is a bottom, back, and right side perspective view of the design of FIG. 2;

FIG. 4 is a right side view of the design of FIG. 2;

FIG. 5 is a left side view of the design of FIG. 2;

FIG. 6 is a back view of the design of FIG. 2;

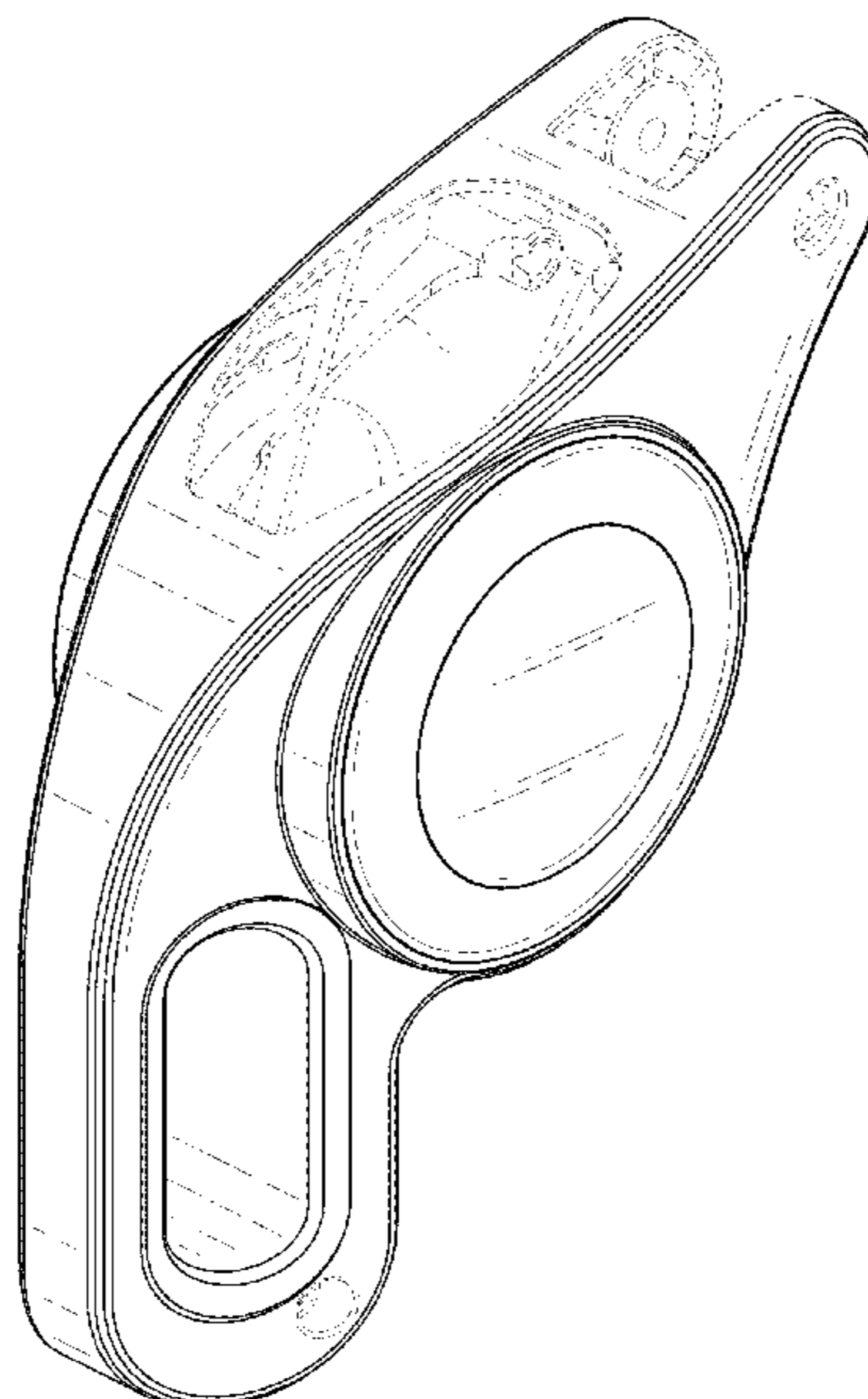
FIG. 7 is a front view of the design of FIG. 2;

FIG. 8 is a top view of the design of FIG. 2; and,

FIG. 9 is a bottom view of the design of FIG. 2.

The broken lines are shown for the purpose of indicating environmental structure and/or portions of the umbrella runner and form no part of the claimed design.

1 Claim, 9 Drawing Sheets



(56)

References Cited

U.S. PATENT DOCUMENTS

			6,305,394 B1 *	10/2001	Reese	A45B 11/00 135/20.1
			6,311,705 B1	11/2001	Ma	
			6,311,706 B1	11/2001	Sato	
			6,311,707 B1	11/2001	Wu et al.	
			6,314,976 B1	11/2001	Clarke	
			6,354,042 B1	3/2002	Kuo	
			6,371,141 B1	4/2002	Lin et al.	
			6,371,686 B1	4/2002	Wu	
			6,386,214 B1	5/2002	Clarke	
			6,386,215 B1	5/2002	Chang	
			6,412,506 B1	7/2002	Reese	
			6,422,251 B1	7/2002	Tseng	
			6,435,444 B1	8/2002	Lin	
			6,478,037 B2	11/2002	Tung	
			6,571,813 B2	6/2003	Lin et al.	
			6,575,182 B2	6/2003	Tung	
			6,575,183 B2	6/2003	Tung	
			D477,458 S	7/2003	Goldwitz	
			6,588,438 B1	7/2003	Steiner	
			D478,416 S	8/2003	Clarke	
			6,619,306 B2	9/2003	Ma	
			6,662,815 B2	12/2003	Tung	
			6,732,753 B2	5/2004	Chang	
			6,758,229 B2	7/2004	Wang	
			D497,478 S	10/2004	Clarke	
			D497,479 S	10/2004	Yu	
			6,837,255 B2	1/2005	Bunch et al.	
			6,851,823 B2	2/2005	Bilotti	
			D503,035 S	3/2005	Ko	
			D503,272 S	3/2005	Machin et al.	
			6,889,699 B2	5/2005	Clarke	
			6,923,193 B2	8/2005	Chen	
			6,941,960 B2	9/2005	Huang	
			D513,471 S	1/2006	Sato et al.	
			D515,222 S	2/2006	Kieffer	
			7,000,624 B2	2/2006	Chang	
			D518,629 S	4/2006	Ma	
			D525,721 S	7/2006	Landes	
			7,082,953 B2	8/2006	Liu	
			7,089,950 B2	8/2006	Lin	
			7,134,442 B2	11/2006	Ma	
			D539,632 S	4/2007	Ma	
			D545,184 S	6/2007	Hanamura	
			D549,285 S	8/2007	Chen	
			7,293,573 B2	11/2007	Clarke	
			D558,444 S	1/2008	Ma	
			7,318,444 B2	1/2008	Clarke	
			7,328,715 B2	2/2008	Neubardt	
			7,341,068 B2	3/2008	Liu	
			7,398,790 B2 *	7/2008	Glatz	A45B 23/00 135/20.1
			D577,423 S	9/2008	Dole	
			7,546,845 B2	6/2009	Prusmack	
			7,556,051 B2 *	7/2009	Lai	A45B 23/00 135/20.3
			D597,822 S *	8/2009	Olsen	D8/356
			D600,326 S	9/2009	Gibb et al.	
			D602,686 S	10/2009	Patzak	
			7,647,936 B1	1/2010	Chen	
			D609,453 S *	2/2010	Liu	D3/5
			7,665,477 B1	2/2010	Hathaway	
			7,686,024 B1	3/2010	Lai	
			7,703,464 B2	4/2010	Ma	
			7,708,022 B2	5/2010	Ma	
			D621,600 S *	8/2010	He	D3/5
			D623,396 S	9/2010	He	
			D626,324 S	11/2010	Ma	
			D631,243 S	1/2011	Forthuber et al.	
			7,861,734 B2	1/2011	Ma	
			7,891,367 B2	2/2011	Ma	
			7,900,643 B2	3/2011	Ma	
			7,913,707 B2 *	3/2011	Lai	A45B 17/00 135/21
			7,913,708 B2	3/2011	Yung	
			D638,622 S *	5/2011	He	D3/5
			D644,832 S	9/2011	Patzak	
			D649,641 S	11/2011	Guttulsrud	
			8,061,375 B2	11/2011	Ma	
1,235,296 A	7/1917	Dillingham				
1,243,594 A	10/1917	Dillingham				
1,255,627 A	2/1918	Morrow et al.				
1,268,354 A	6/1918	Howard				
D90,772 S	9/1933	Kasch				
D127,735 S	6/1941	Dreyfuss				
2,447,972 A	8/1948	Weinert				
2,469,637 A	5/1949	Evans et al.				
2,475,406 A	7/1949	Russell				
D162,678 S	3/1951	Muller-Munk				
D167,619 S	9/1952	Coran				
2,762,383 A	9/1956	Wittman				
2,937,653 A	5/1960	Danciart et al.				
D190,597 S	6/1961	Nelson				
3,120,238 A	2/1964	Glatz				
3,145,720 A	8/1964	Torii				
3,424,180 A	1/1969	Giancarlo				
3,856,032 A	12/1974	Schafer				
D265,498 S	7/1982	Paul				
4,368,749 A	1/1983	Lindler et al.				
D276,838 S	12/1984	Hill et al.				
D278,029 S	3/1985	Suponitsky				
4,576,191 A	3/1986	Schultes et al.				
4,586,525 A	5/1986	Glatz et al.				
4,622,987 A	11/1986	Redl et al.				
4,674,523 A	6/1987	Glatz				
4,697,606 A	10/1987	Ma				
4,811,670 A	3/1989	Kolvites et al.				
4,878,509 A	11/1989	Tung				
5,002,081 A	3/1991	Stromeyer				
5,029,596 A	7/1991	Tung				
D320,111 S	9/1991	Ma				
5,050,627 A	9/1991	Hengtzu				
D321,779 S	11/1991	Ma				
5,144,780 A	9/1992	Gieling et al.				
D344,786 S	3/1994	Short et al.				
5,349,975 A	9/1994	Valdner				
5,357,994 A	10/1994	Chung				
D360,522 S	7/1995	Ko				
5,499,644 A	3/1996	Geniele				
D372,854 S	8/1996	Jimenez				
D376,974 S	12/1996	Chen				
5,584,564 A	12/1996	Phyle				
5,588,455 A	12/1996	Kuo				
5,611,364 A	3/1997	Woods et al.				
5,655,557 A	8/1997	Martin				
5,740,823 A	4/1998	Lin et al.				
5,746,235 A	5/1998	Lin				
5,785,069 A	7/1998	Glatz				
D397,054 S	8/1998	Brantley et al.				
5,794,637 A	8/1998	Figueroa				
D398,443 S	9/1998	Bolle				
5,809,734 A	9/1998	Turner				
D400,777 S	11/1998	Carsello				
5,884,645 A	3/1999	Chen et al.				
D408,621 S	4/1999	Kuo				
5,899,210 A	5/1999	Letherby et al.				
D410,862 S	6/1999	Milhov				
5,937,882 A	8/1999	Harbaugh				
5,960,806 A	10/1999	Steiner				
6,014,980 A	1/2000	Glatz				
6,076,540 A	6/2000	You				
D434,215 S	11/2000	Lin				
D434,476 S	11/2000	Meda				
6,145,523 A	11/2000	Lo				
6,152,156 A *	11/2000	Tung	A45B 17/00 135/20.1			
D434,556 S	12/2000	Lin				
6,192,907 B1	2/2001	Wu				
D438,783 S	3/2001	Elliott				
6,220,261 B1	4/2001	Glatz				
6,230,728 B1	5/2001	Reese				
6,247,483 B1	6/2001	Rung				
6,298,867 B1	10/2001	Chang				

(56)

References Cited

U.S. PATENT DOCUMENTS

8,082,935 B2 12/2011 Ma
 8,096,310 B2 1/2012 Clarke
 D662,064 S 6/2012 Natoli et al.
 D668,446 S 10/2012 Patzak
 D669,555 S 10/2012 Jaworski et al.
 8,443,819 B2 5/2013 Beaulieu
 D687,102 S 7/2013 Chandaria
 D698,320 S 1/2014 Condo et al.
 D700,835 S 3/2014 Langlois et al.
 D711,730 S 8/2014 McKiernan
 8,807,513 B2* 8/2014 Volin A45B 17/00
 248/521
 D719,343 S 12/2014 Ma
 8,961,340 B2 2/2015 Boatwright et al.
 D738,609 S 9/2015 Ma
 D738,610 S * 9/2015 Ma E04H 15/50
 D3/10
 D741,701 S 10/2015 McNeil et al.
 9,220,325 B2* 12/2015 Ma A45B 23/00
 D748,464 S 2/2016 Kury
 D749,835 S 2/2016 Whitaker
 D758,177 S 6/2016 Riccione
 D760,486 S 7/2016 Patzak
 D766,711 S 9/2016 Babbage
 D770,886 S 11/2016 Whitaker
 D781,787 S 3/2017 Spiel
 D782,179 S 3/2017 Ma
 D808,634 S * 1/2018 Ma A45B 17/00
 D3/10
 D808,635 S * 1/2018 Ma D3/10
 D808,636 S * 1/2018 Ma D3/10
 D809,283 S * 2/2018 Ma A45B 23/00
 D3/10
 D809,284 S * 2/2018 Ma A45B 17/00
 D3/10
 D809,775 S * 2/2018 Ma D3/10
 D814,172 S * 4/2018 Ma D3/10
 D814,782 S * 4/2018 Ma D3/10
 D820,581 S * 6/2018 Ma D3/10
 10,017,955 B2* 7/2018 Ye A45B 11/00
 10,136,709 B2* 11/2018 Ma A45B 23/00
 D847,487 S 5/2019 Ma
 D848,139 S 5/2019 Ma
 10,524,550 B2* 1/2020 Zhu A45B 19/00
 10,537,161 B1* 1/2020 Volin A45B 25/02
 10,932,536 B2* 3/2021 Kong A45B 17/00
 2002/0083969 A1 7/2002 Tung
 2002/0129843 A1 9/2002 Wang
 2002/0139405 A1 10/2002 Lee
 2003/0015230 A1 1/2003 Glatz
 2003/0140955 A1* 7/2003 Chou E04H 15/50
 135/98
 2004/0031513 A1 2/2004 Bunch et al.
 2004/0055627 A1 3/2004 Moga
 2004/0055628 A1 3/2004 Yu

2004/0069333 A1 4/2004 Ma
 2004/0154525 A1 8/2004 Wirth et al.
 2004/0182429 A1 9/2004 Chen
 2004/0206382 A1 10/2004 Clarke
 2004/0206383 A1 10/2004 Clarke
 2005/0016571 A1* 1/2005 Wu A45B 25/165
 135/20.1
 2005/0098200 A1 5/2005 Su
 2005/0115599 A1 6/2005 You
 2005/0194027 A1 9/2005 Ko
 2005/0241687 A1 11/2005 Ko
 2006/0005867 A1 1/2006 Chang
 2006/0151019 A1 7/2006 Lo
 2007/0113878 A1 5/2007 Ko
 2008/0066793 A1 3/2008 Ma
 2008/0202570 A1 8/2008 Clarke
 2009/0007945 A1 1/2009 Ma
 2009/0014041 A1 1/2009 Li
 2009/0260664 A1 10/2009 Ma
 2010/0132165 A1 6/2010 Shor et al.
 2010/0139724 A1 6/2010 Lai
 2010/0139725 A1 6/2010 Lai
 2011/0017249 A1 1/2011 Ma
 2011/0061694 A1 3/2011 Vanderminden, Sr.
 2011/0132418 A1 6/2011 Ma
 2011/0209732 A1 9/2011 Ma
 2011/0214705 A1 9/2011 Ma
 2011/0277800 A1 11/2011 Tung
 2012/0227221 A1 9/2012 Whitaker et al.
 2013/0152984 A1 6/2013 Chou
 2013/0276843 A1 10/2013 Ma
 2014/0020725 A1 1/2014 Ma
 2014/0096803 A1 4/2014 Siegenthaler
 2014/0251394 A1 9/2014 Ma

FOREIGN PATENT DOCUMENTS

FR 2672781 A3 8/1992
 JP 2006-110317 A 4/2006
 JP 2007-222591 9/2007
 JP 2008-142310 6/2008
 WO WO 2005/058089 6/2005

OTHER PUBLICATIONS

Allen + Roth Offset Square Umbrella, lowes.com, <https://www.lowes.ca/product/patio-umbrellas/allen-roth-offset-square-umbrella-aluminum-10-ft-grey-808561> (Year: 2021).
 3m Round Cantilever Umbrella, coolaroo.co.za, <https://coolaroo.co.za/product/cantilever-umbrella-3m-round/> (Year: 2021).
 Operation Manual Easy Sun Parasol Sunshade (Issue: Jul. 2004) pp. 1-17.
 Activa Leisure, 2010 Product Catalog.
 Treasure Garden, Inc., Collections 2015, Product Catalog, including front and rear covers.

* cited by examiner

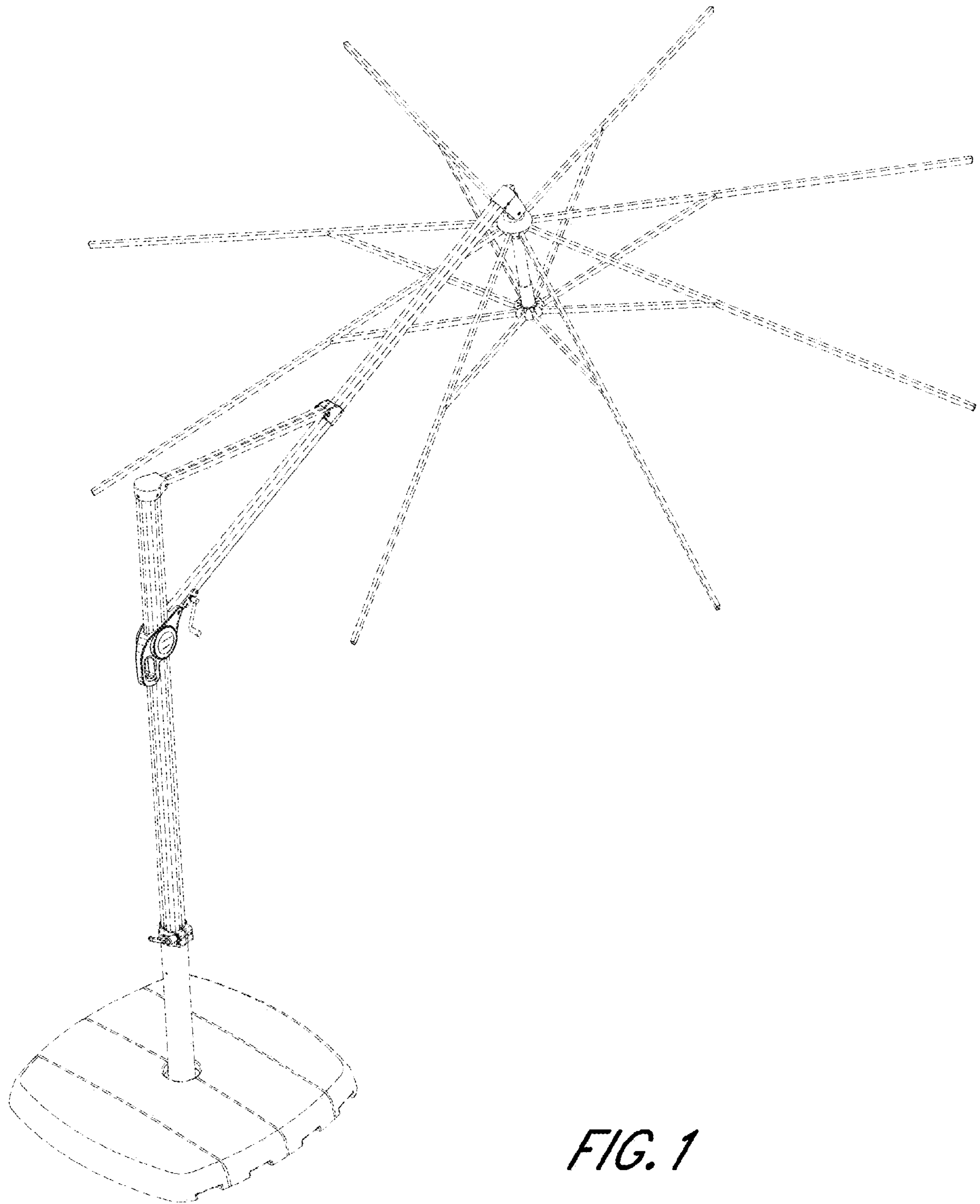


FIG. 1

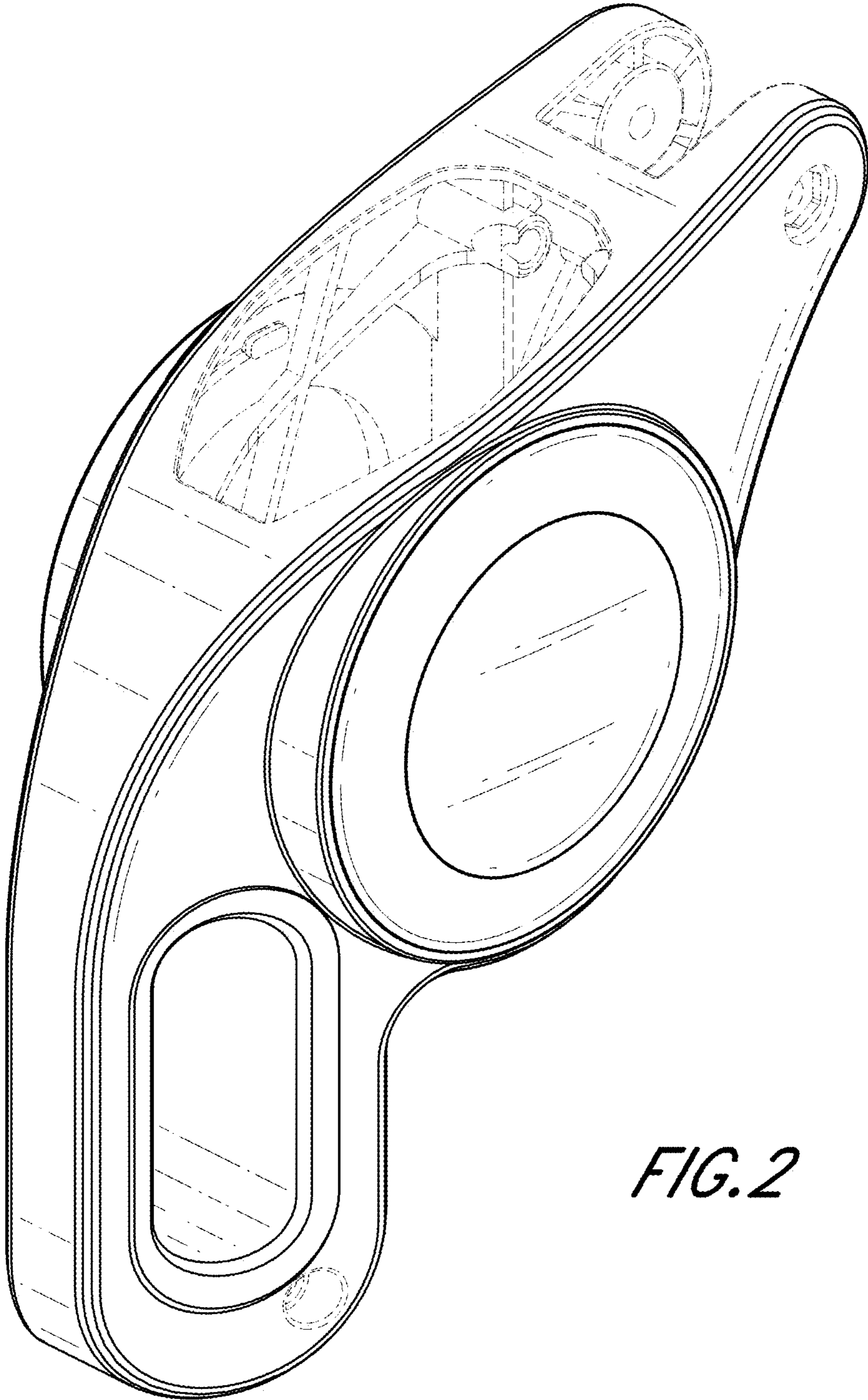


FIG. 2

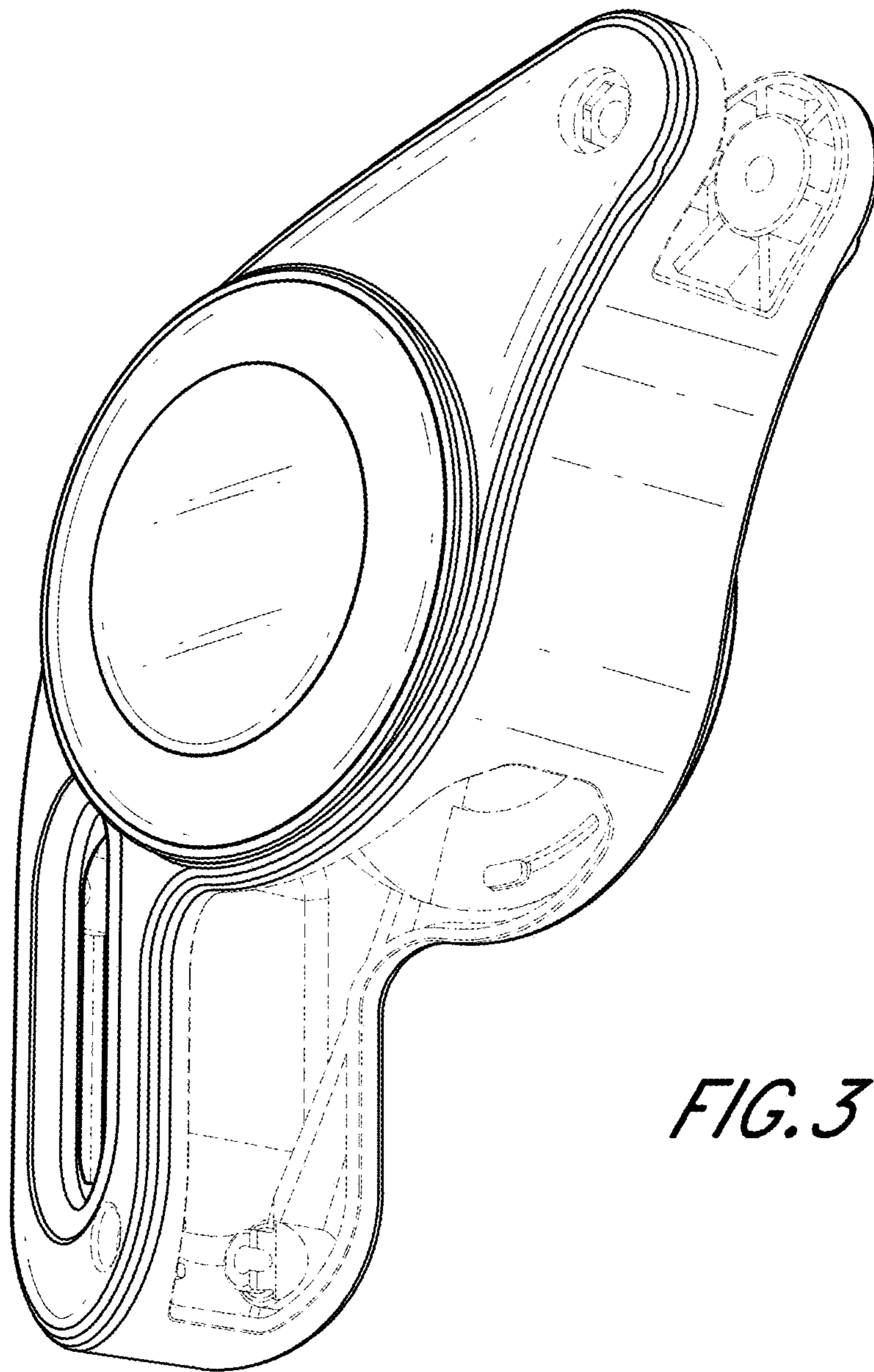


FIG. 3

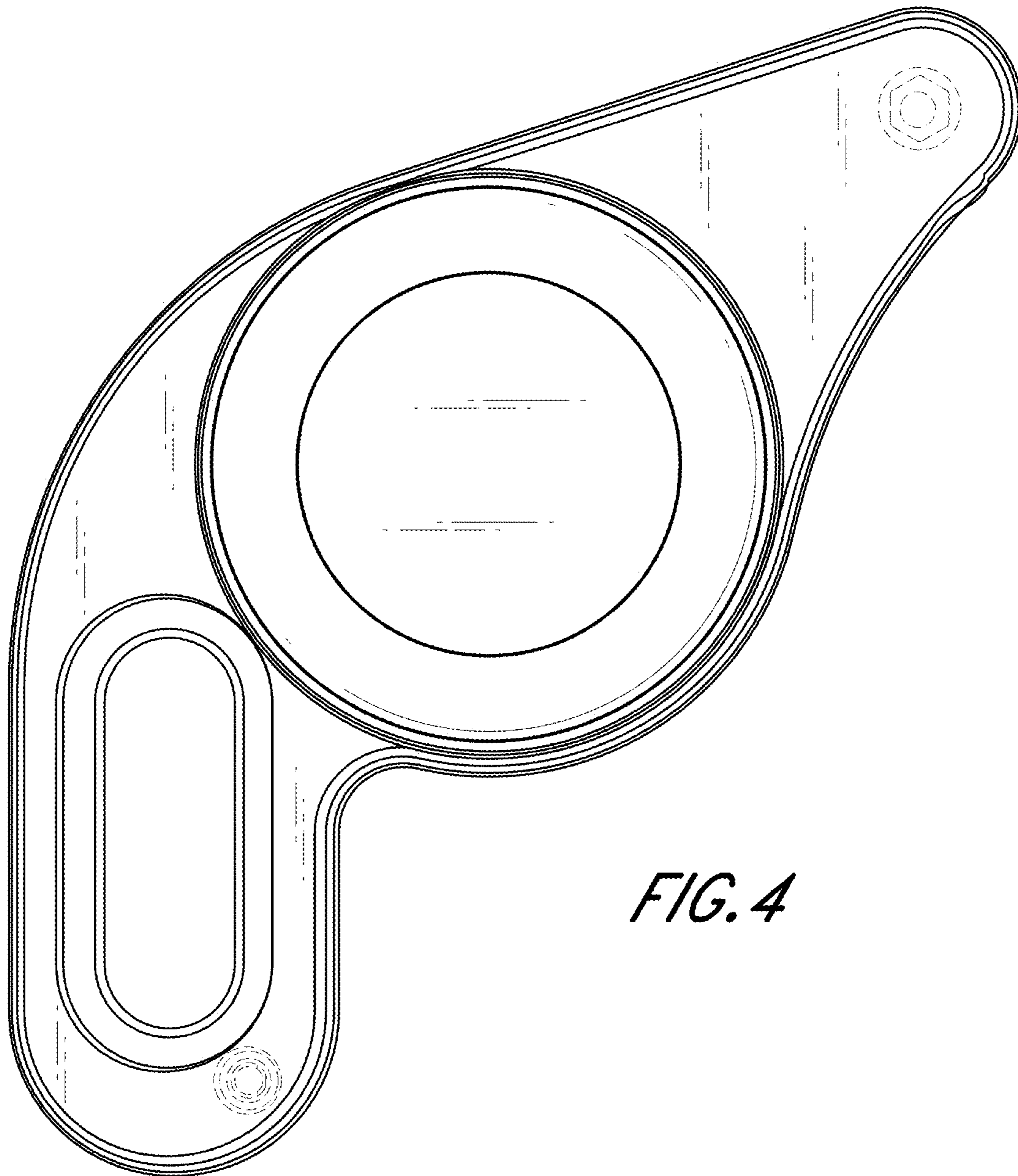


FIG. 4

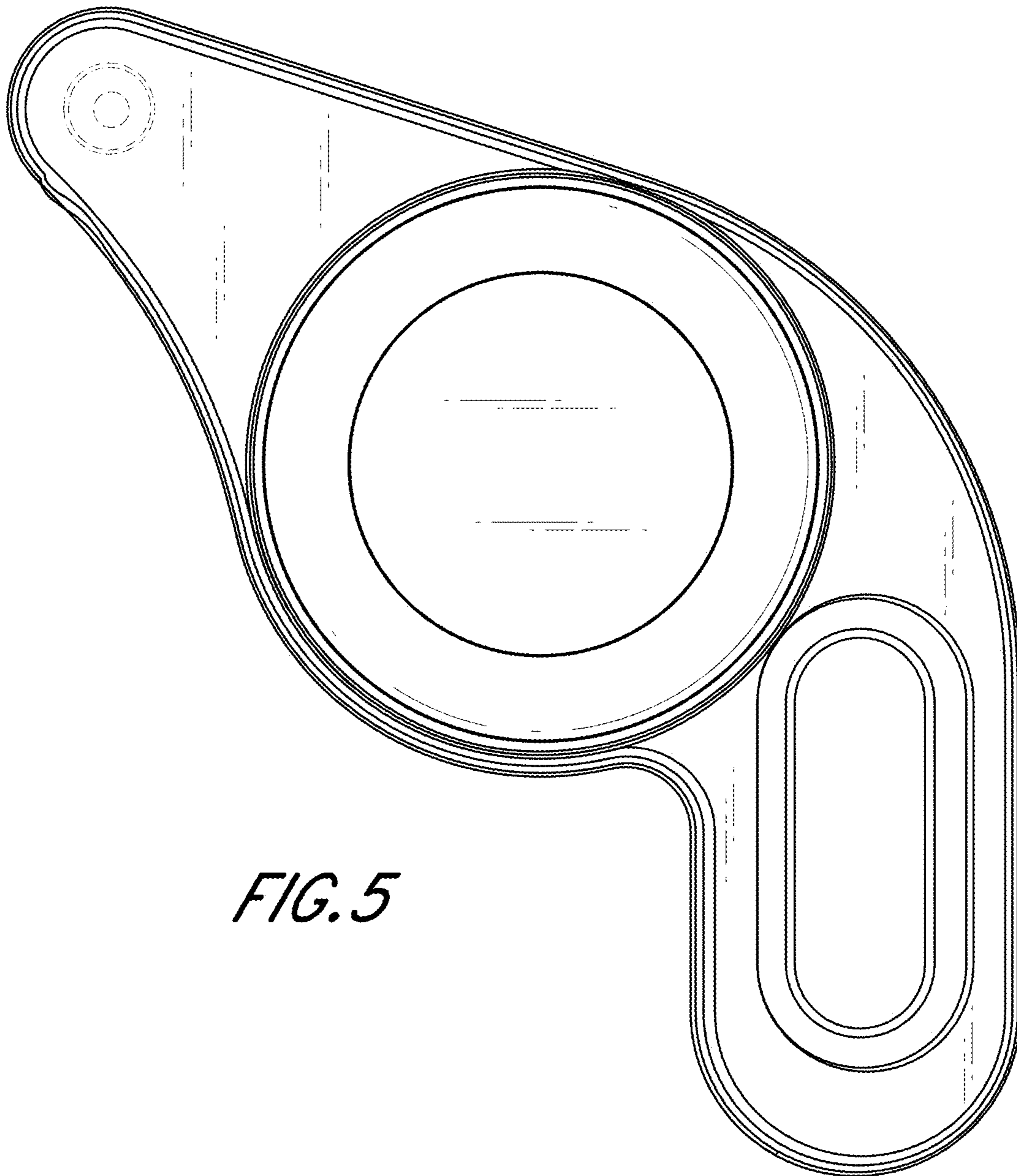


FIG. 5

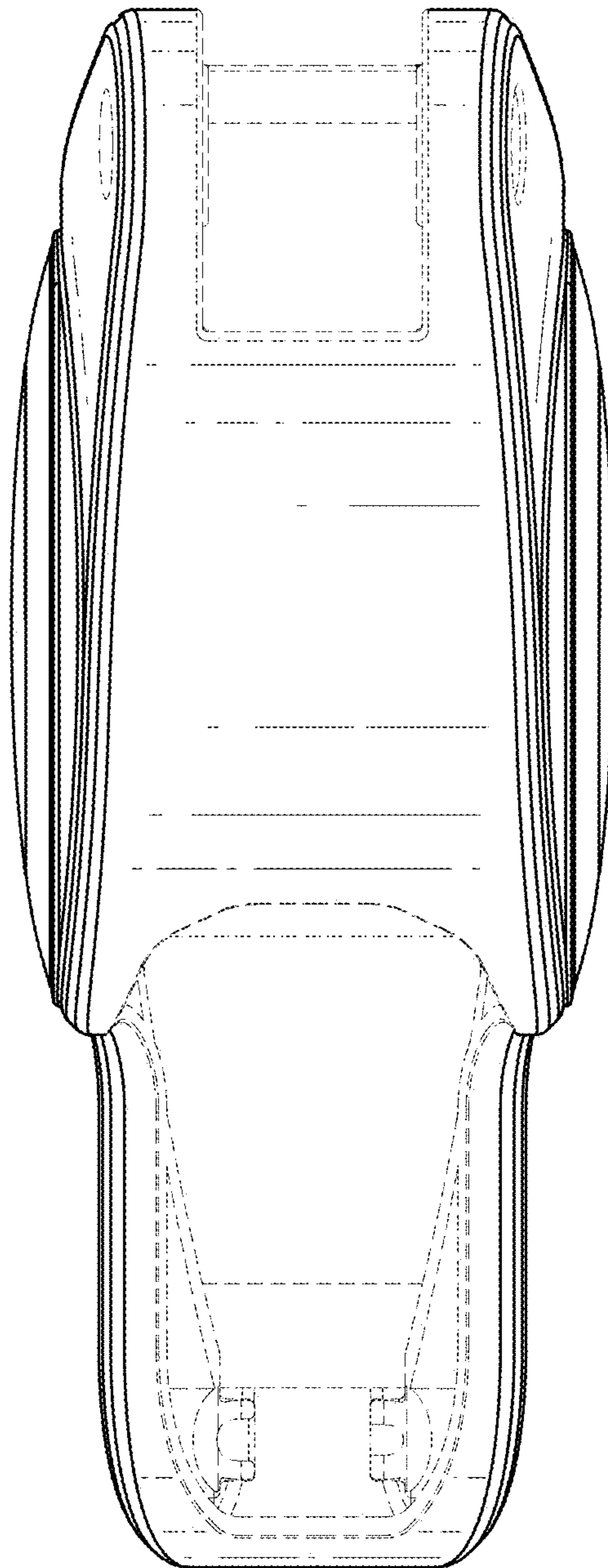


FIG. 6

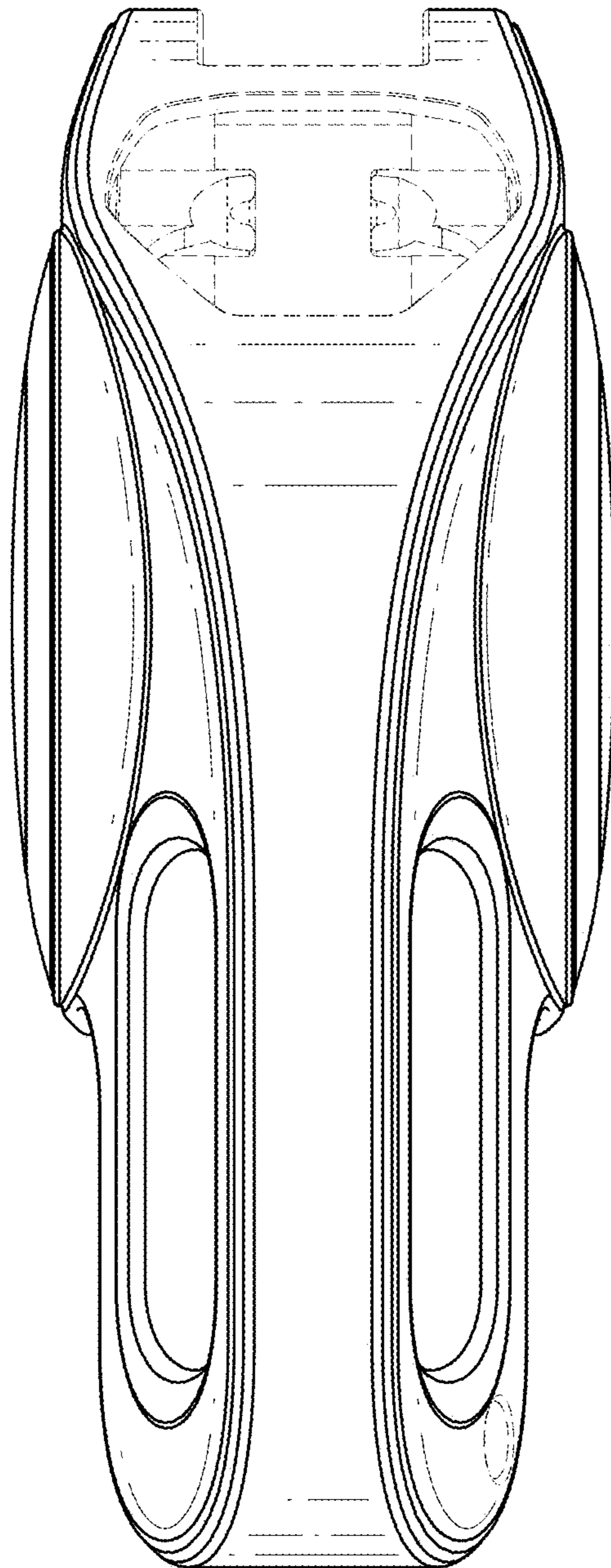


FIG. 7

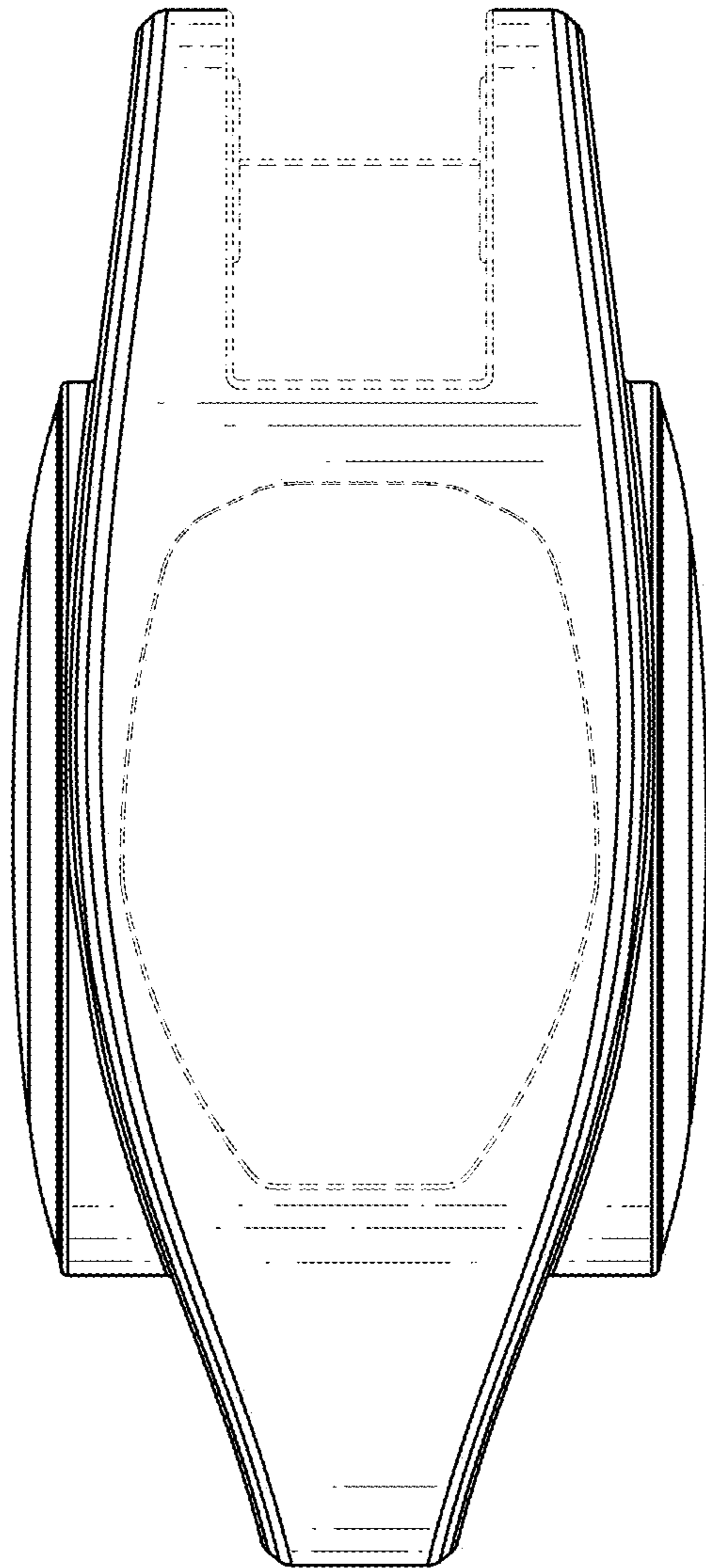


FIG. 8

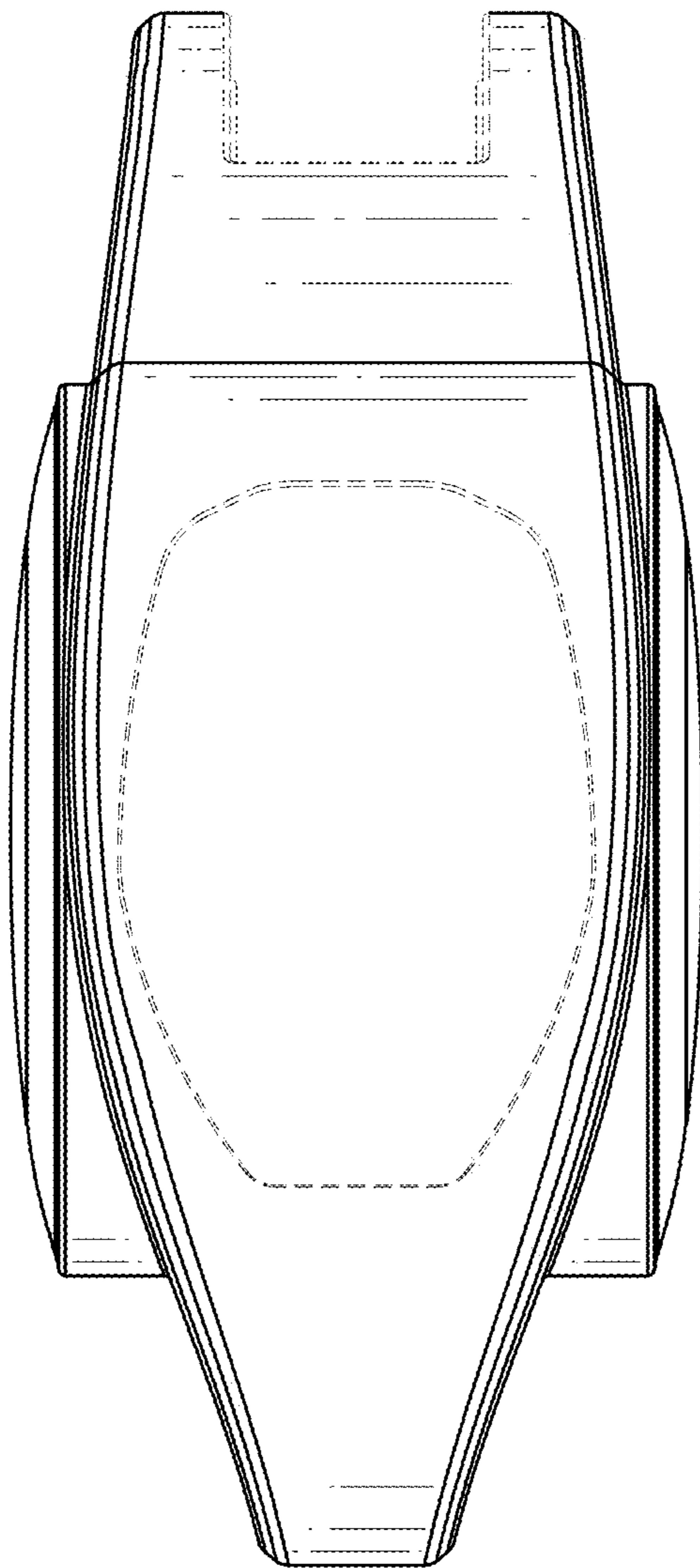


FIG. 9