



US00D935745S

(12) **United States Design Patent** (10) **Patent No.:** **US D935,745 S**  
**Murphy et al.** (45) **Date of Patent:** **\*\* \*Nov. 16, 2021**

(54) **SKULLCAP** 1,342,277 A \* 6/1920 Dowd ..... A42B 1/046  
2/4  
(71) Applicant: **Chrome Dome, LLC**, Carlsbad, CA 1,400,528 A 12/1921 Cook  
(US) 1,426,402 A \* 8/1922 Moore ..... A42B 1/12  
2/200.2

(72) Inventors: **Joseph P. Murphy**, Carlsbad, CA (US);  
**Ana Maria Zamingir**, San Diego, CA  
(US)

(Continued)

**FOREIGN PATENT DOCUMENTS**

(73) Assignee: **Chrome Dome, LLC**, Carlsbad, CA  
(US)

GB 918449 A 2/1963

**OTHER PUBLICATIONS**

(\*) Notice: This patent is subject to a terminal disclaimer.

Chrome Dome Caps, [on-line video]; [video uploaded to the Internet on Dec. 16, 2013]; [retrieved from the Internet on Sep. 10, 2018]; URL: <https://vimeo.com/82046612>. (4 pgs). (Year: 2013).\*

(\*\*) Term: **15 Years**

(Continued)

(21) Appl. No.: **29/595,740**

(22) Filed: **Mar. 1, 2017**

*Primary Examiner* — Jasmine Mlinarcik  
(74) *Attorney, Agent, or Firm* — Procopio, Cory,  
Hargreaves & Savitch LLP

**Related U.S. Application Data**

(63) Continuation of application No. 14/693,257, filed on Apr. 22, 2015, now abandoned.

(51) **LOC (13) Cl.** ..... **02-03**

(52) **U.S. Cl.**

USPC ..... **D2/867**

(58) **Field of Classification Search**

USPC ..... D2/865, 866, 867, 868, 869, 870, 871,  
D2/872, 873, 874, 875, 876, 877, 878,  
D2/879, 880, 881, 882, 883, 884, 885,  
D2/886, 887, 888, 889, 890, 891, 892,  
D2/893, 894, 895

CPC .. A42B 1/00; A42B 1/004; A42B 1/04; A42B  
1/041; A42B 1/12; A42B 3/00; A42B  
3/066; A41G 3/0041

See application file for complete search history.

(56) **References Cited**

**U.S. PATENT DOCUMENTS**

48,412 A \* 6/1865 Komp ..... A42B 1/041  
2/171  
563,280 A \* 7/1896 Kornfeld ..... A42B 1/043  
2/209.5

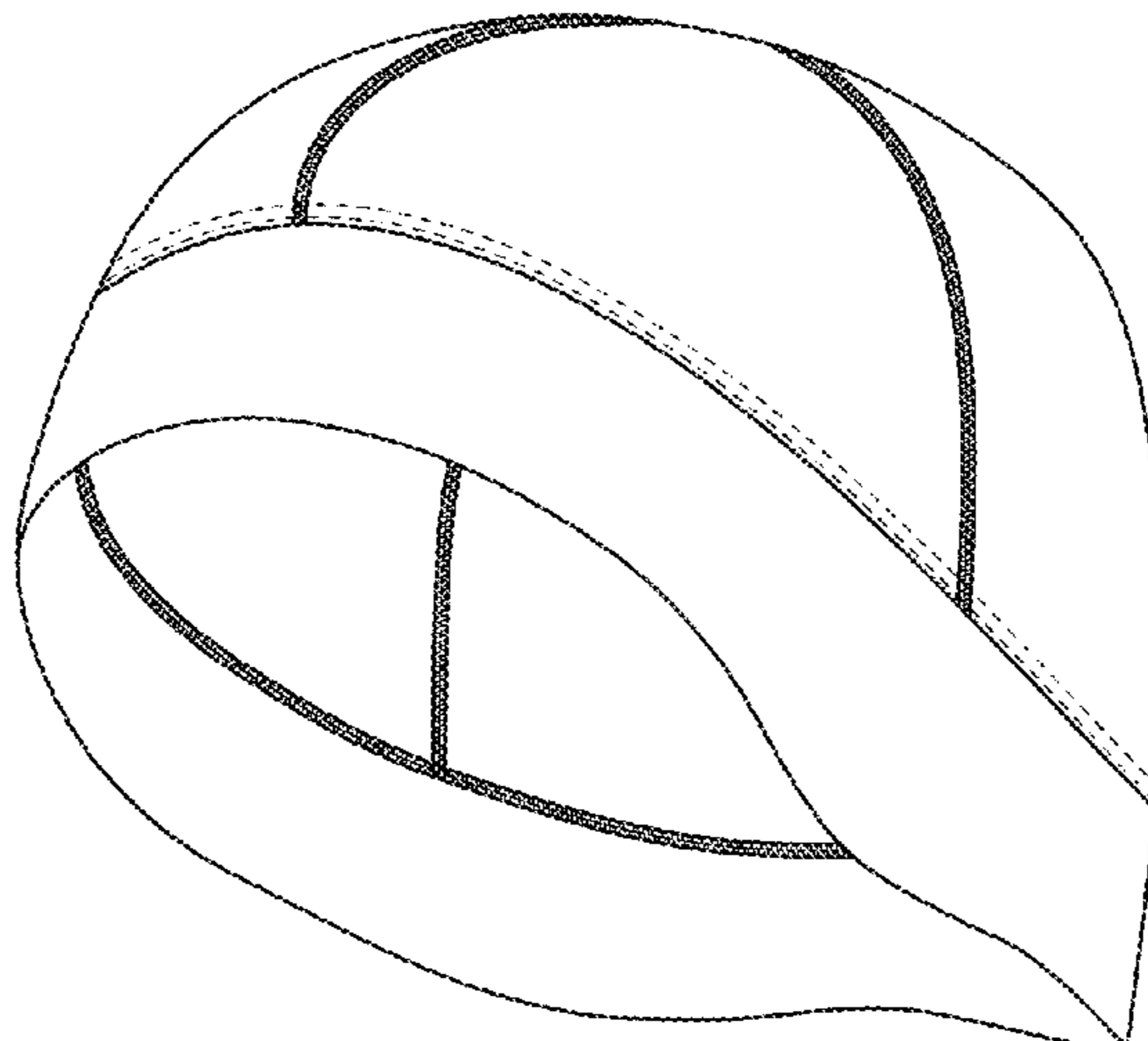
(57) **CLAIM**

The ornamental design for the skullcap, as shown and described.

**DESCRIPTION**

FIG. 1 shows a perspective view of a skullcap according to the present invention;  
FIG. 2 shows a front elevation view of the skullcap of FIG. 1;  
FIG. 3 shows a rear elevation view of the skullcap of FIG. 1; and,  
FIG. 4 shows a right side elevation view of the skullcap of FIG. 1, the left side elevation view being a mirror image thereof.  
The broken lines depict claimed stitching of the skullcap.

**1 Claim, 2 Drawing Sheets**



(56)

References Cited

U.S. PATENT DOCUMENTS

1,434,607 A \* 11/1922 Gilson ..... A42B 1/041  
132/274  
1,521,149 A \* 12/1924 Clarizio ..... A45D 8/40  
132/274  
1,606,798 A \* 11/1926 Karger ..... D04B 1/24  
2/195.8  
1,622,647 A \* 3/1927 Jackson ..... A45D 24/36  
132/213  
1,697,507 A \* 1/1929 Karger ..... A42B 1/066  
2/172  
1,883,756 A \* 10/1932 Bloom ..... A42B 1/066  
2/172  
1,957,206 A 5/1934 Goldstein et al.  
2,104,997 A 1/1938 Lawrence  
2,264,594 A \* 12/1941 Schuessler ..... A42B 1/066  
2/172  
2,647,264 A \* 8/1953 Hutton ..... A42B 1/12  
2/174  
2,717,394 A 8/1955 Portis  
D176,046 S \* 11/1955 Spriereggen ..... D29/106  
2,730,720 A \* 1/1956 Saunders ..... A42B 1/12  
2/68  
D187,519 S \* 3/1960 Lasting ..... D2/865  
3,276,039 A \* 10/1966 Lish ..... A42B 1/041  
2/183  
3,447,164 A \* 6/1969 Greenhouse ..... A42B 1/12  
2/68  
3,582,990 A \* 6/1971 Frieder ..... F41H 1/08  
2/6.6  
5,495,622 A 3/1996 Kaufinan  
5,632,046 A 5/1997 Green et al.  
D473,039 S \* 4/2003 Erspamer ..... D2/889  
7,069,597 B2 \* 7/2006 Hardenbrook ..... A42B 1/041  
2/171  
7,360,258 B2 \* 4/2008 Jaye ..... A42B 1/225  
2/171.1  
D584,000 S \* 12/2008 Saluan ..... D29/106  
D599,085 S \* 9/2009 Booker ..... D2/867  
D630,004 S \* 1/2011 Martinez ..... D2/865  
D639,532 S \* 6/2011 Malarky, II ..... D2/878  
D659,351 S \* 5/2012 Benkendorfer ..... D2/865  
8,613,114 B1 12/2013 Velasco  
D704,894 S \* 5/2014 Jennings ..... D29/102  
D720,520 S \* 1/2015 Klaiber ..... D2/867  
9,095,183 B2 \* 8/2015 Aronson ..... A42C 5/04

9,848,664 B2 \* 12/2017 Poldoski ..... A42B 1/247  
10,172,404 B2 \* 1/2019 Elharar ..... A42B 1/041  
D850,761 S \* 6/2019 Anderson ..... D2/870  
D877,462 S \* 3/2020 Teat ..... D2/867  
D925,870 S \* 7/2021 Boyd ..... D2/889  
2005/0097655 A1 \* 5/2005 Bascom ..... A42B 1/225  
2/171  
2006/0168708 A1 8/2006 Moshier  
2006/0179544 A1 8/2006 Knieval  
2013/0180029 A1 7/2013 Danner  
2014/0109281 A1 \* 4/2014 Waller ..... A42B 1/12  
2/68  
2014/0137310 A1 \* 5/2014 Malone ..... A42B 1/008  
2/171.2  
2015/0181969 A1 \* 7/2015 Elharar ..... A42B 1/041  
2/171  
2015/0335086 A1 \* 11/2015 Murphy ..... A42B 1/041  
2/171  
2016/0331057 A1 \* 11/2016 Hawes ..... A42B 1/245  
2017/0340043 A1 \* 11/2017 Andersen ..... A42B 1/041  
2019/0254371 A1 \* 8/2019 Feumba ..... A41G 3/0016  
2019/0381360 A1 \* 12/2019 Yeomans ..... G06F 30/00  
2020/0060372 A1 \* 2/2020 Bonhomme ..... A42B 1/12  
2020/0391083 A1 \* 12/2020 Vega ..... A42B 1/12

OTHER PUBLICATIONS

US Trademark Application #77538552 (now Registered Trademark #4132178) for “Chrome Dome.” Filed on Aug. 4, 2008 by Chrome Dome, LLC. First Use in Commerce Date: Mar. 12, 2012. (4 pgs). (Year: 2012).\*

US Trademark Application #86239164 (now Registered Trademark #4628658) for “Chrome Dome.” Filed on Apr. 1, 2014 by Chrome Dome, LLC. First Use in Commerce Date: Mar. 12, 2012. (3 pgs). (Year: 2012).\*

Chrome Dome Caps, [on-line video]; [video uploaded to the Internet on Dec. 16, 2013]; [retrieved originally from the Internet on Sep. 10, 2018]; URL: <https://vimeo.com/82046612>. (4 pgs). (Year: 2013).\*

“Skull Cap”, web retrieved Aug. 1, 2016 <http://www.gripgrab.com/product/skull-cap-windster>.

Renew Prime: Be more “environmentally—aware” even when practising sport!. Aug. 28, 2013. Web. Retrieved Jan. 8, 2015. <http://www.carvico.com/en/press/press-releases/362/Renew-Prime-be-more-environmentally-aware-even-when-practising-sport>.

Renew Prime fabrics. Dec. 30, 2014. Web. Retrieved Jan. 9, 2015. [http://www.carvico.com/en/fabrics/renew\\_prime](http://www.carvico.com/en/fabrics/renew_prime).

\* cited by examiner

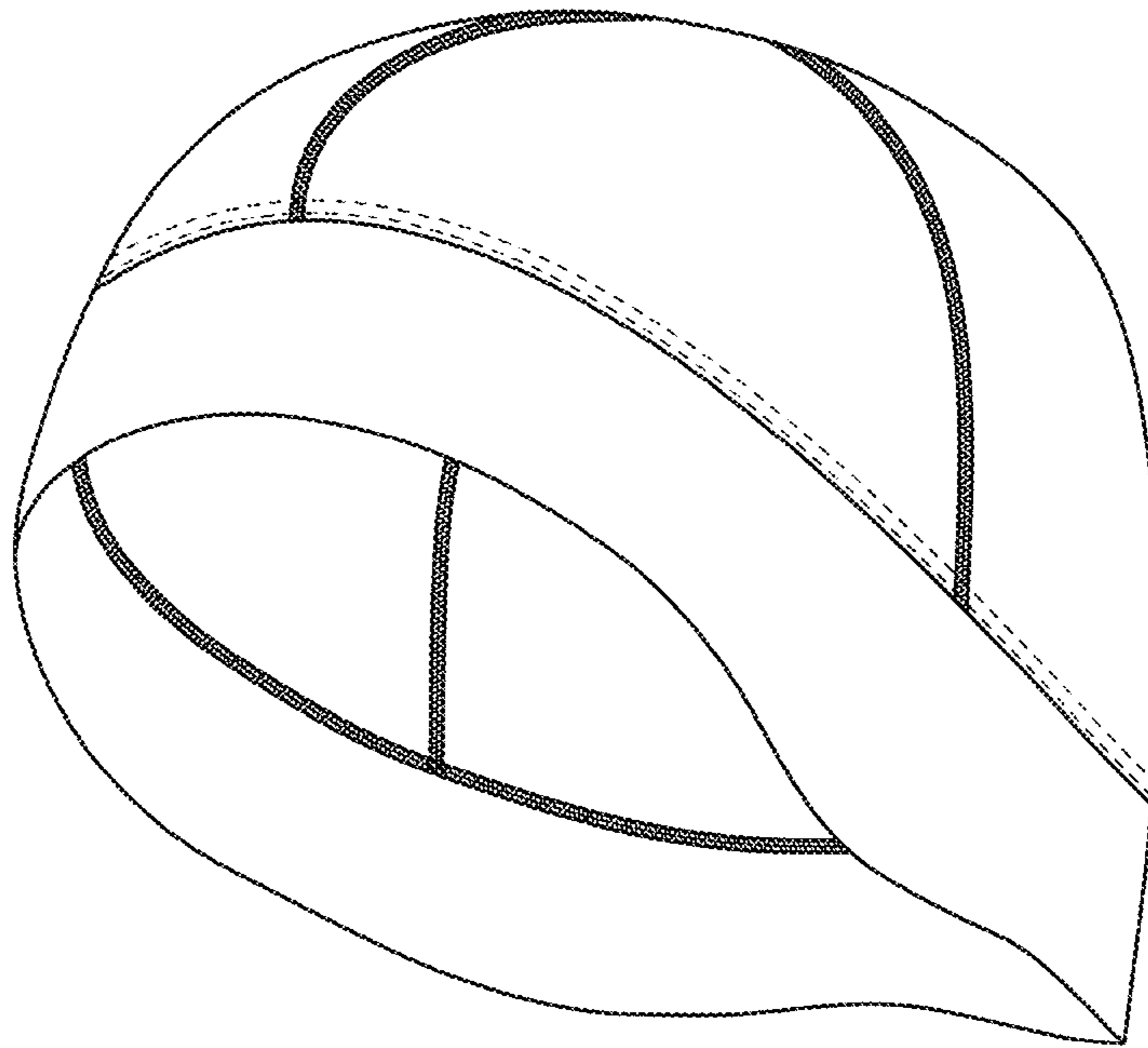


FIG. 1

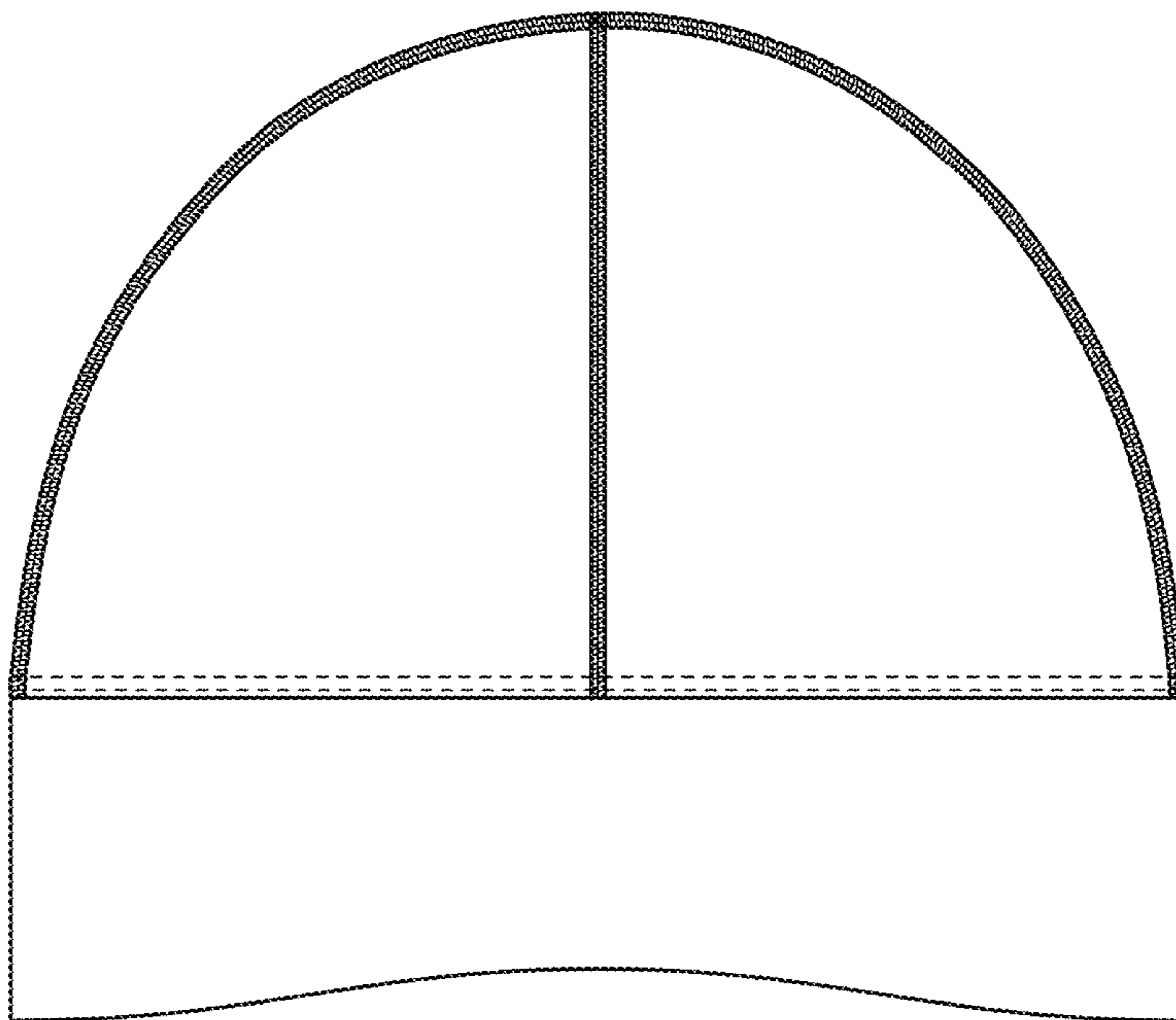


FIG. 2

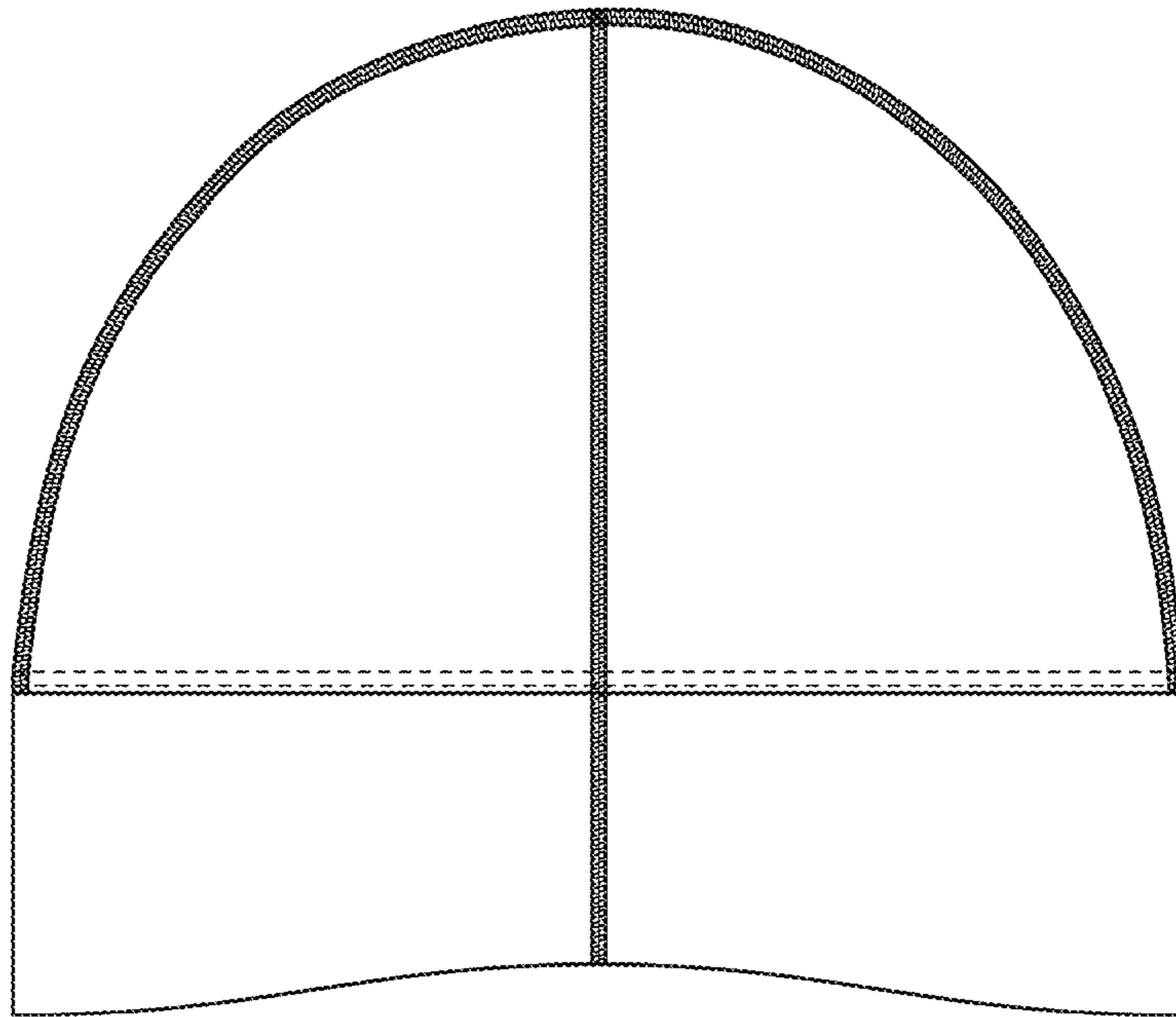


FIG. 3

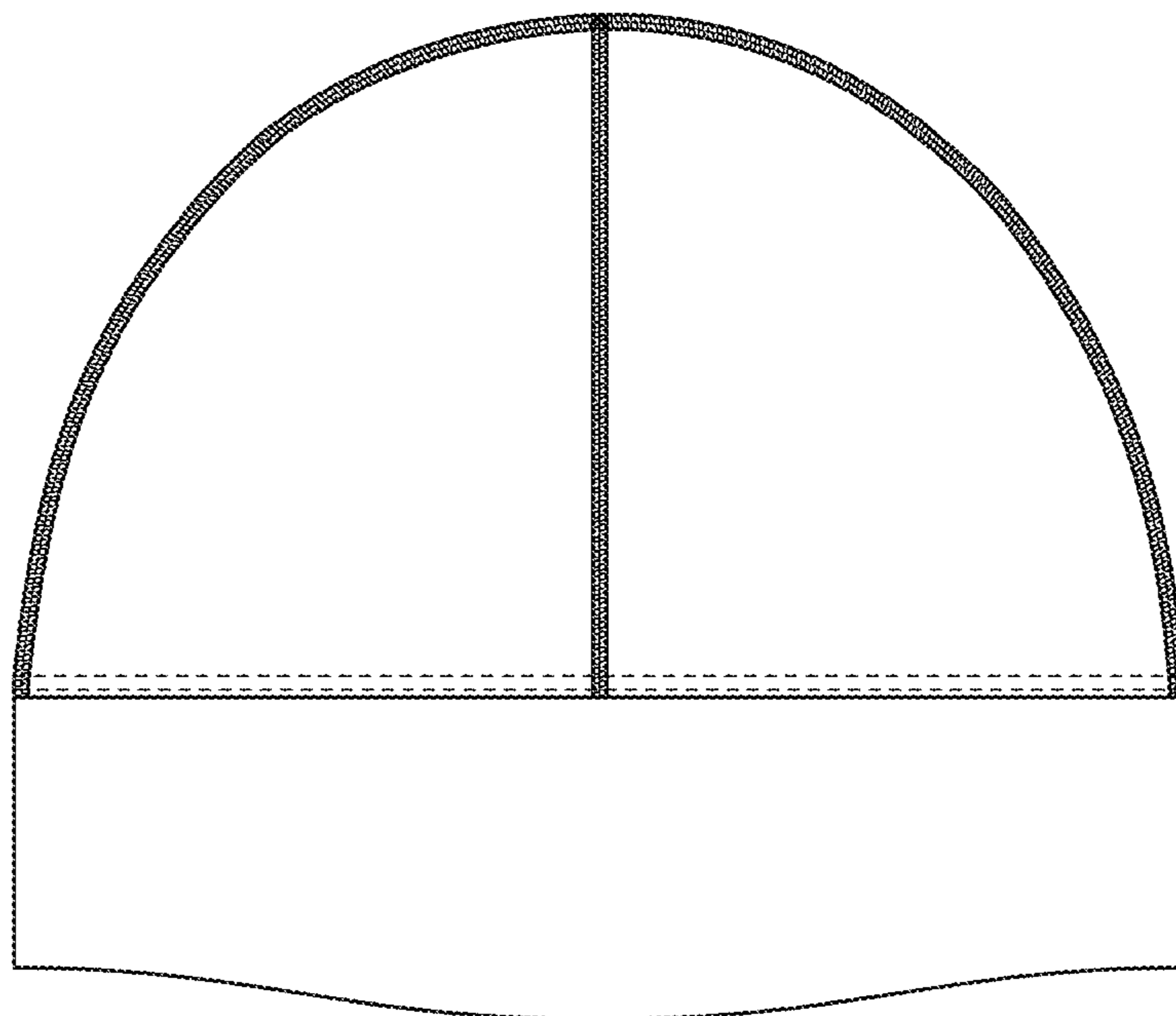


FIG. 4