



US00D935741S

(12) **United States Design Patent** (10) **Patent No.:** **US D935,741 S**
Surabian et al. (45) **Date of Patent:** **** Nov. 16, 2021**

(54) **VEST**

D891,732 S * 8/2020 Yong D2/829
D896,444 S * 9/2020 Shi D29/101.4
D909,012 S * 2/2021 Yong D2/750
2016/0295937 A1 * 10/2016 Harrington A41D 19/0006

(71) Applicant: **The Richard Surabian Irrevocable Trust**, South Yarmouth, MA (US)

(72) Inventors: **Richard Surabian**, South Yarmouth, MA (US); **Steven Surabian**, South Yarmouth, MA (US)

(73) Assignee: **The Richard Surabian Irrevocable Trust**, South Yarmouth, MA (US)

(**) Term: **15 Years**

(21) Appl. No.: **29/701,762**

(22) Filed: **Aug. 14, 2019**

(51) **LOC (13) Cl.** **02-02**

(52) **U.S. Cl.**
USPC **D2/829**

(58) **Field of Classification Search**
USPC D2/828-829, 750; D29/101.1, 101.4
CPC A41D 13/0051; A41D 1/04
See application file for complete search history.

(56) **References Cited**

U.S. PATENT DOCUMENTS

1,031,078 A * 7/1912 Matthews A41D 1/04
2/102
D140,533 S * 3/1945 Schechter D2/829
5,031,244 A * 7/1991 Inagaki A41D 13/0012
2/102
D453,055 S * 1/2002 Ode D2/829
D526,468 S * 8/2006 Dingman D2/829
D714,026 S * 9/2014 Adams D2/829
9,637,209 B1 * 5/2017 Brown B63C 9/1255

OTHER PUBLICATIONS

Mens Mercenary Handmade Genuine Leather Biker Vest, posted NA [online], (retrieved Jul. 13, 2021). Retrieved from the internet, <https://www.jacketsmaker.com/shop/mens-mercenary-handmade-genuine-leather-biker-vest> (Year: NA) (Year: NA).*
Sur Tan Original Lightweight Black Denim Biker's Vest with Leather Trim, posted NA [online], (retrieved Jul. 13, 2021). Retrieved from the internet, <https://www.surtanusa.com/collections/jackets-and-vests/products/sur-tan-patent-pending-original-bikers-vest-w-leather-trim> (Year: NA) (Year: NA).*

* cited by examiner

Primary Examiner — Kevin K Rudzinski

Assistant Examiner — J. Thorn, Sr.

(74) *Attorney, Agent, or Firm* — Bay State IP, LLC

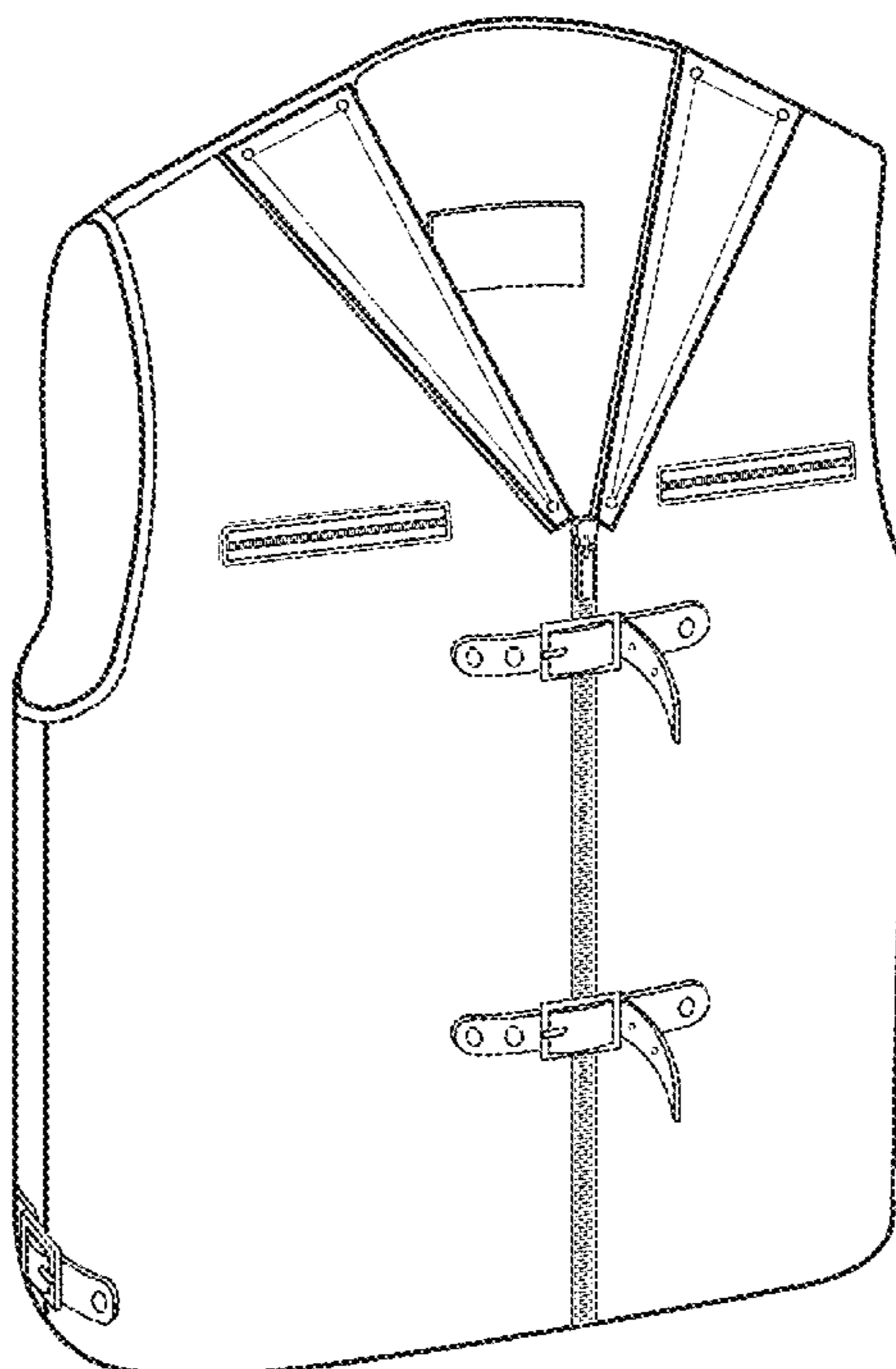
(57) **CLAIM**

The ornamental design for a vest, as shown and described.

DESCRIPTION

FIG. 1 is a front perspective view of a vest showing our new design;
FIG. 2 is a front view thereof;
FIG. 3 is a back view thereof;
FIG. 4 is a left side view thereof;
FIG. 5 is a right side view thereof;
FIG. 6 is a top view thereof; and,
FIG. 7 is a bottom view thereof.

1 Claim, 4 Drawing Sheets



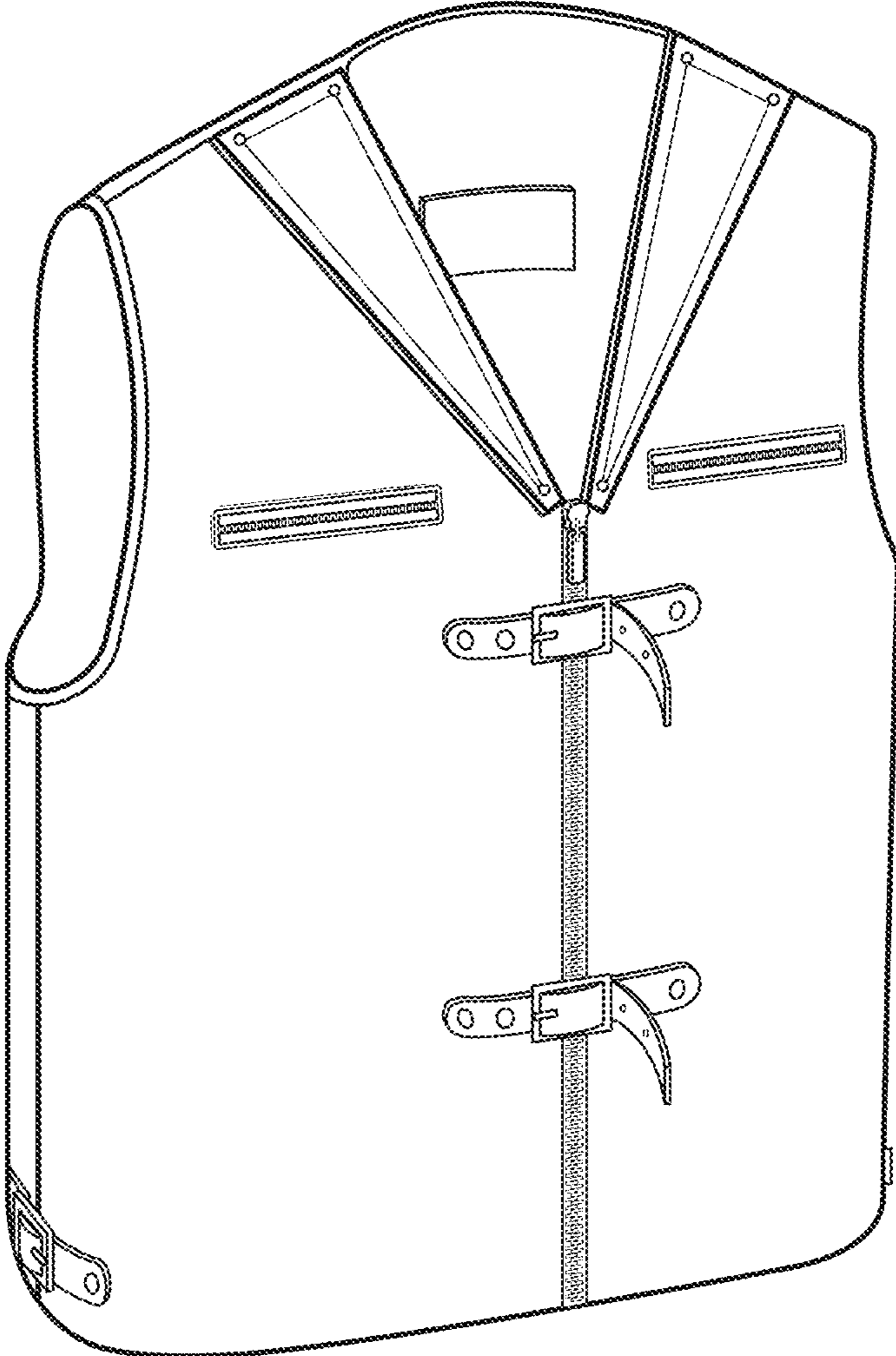


Fig. 1

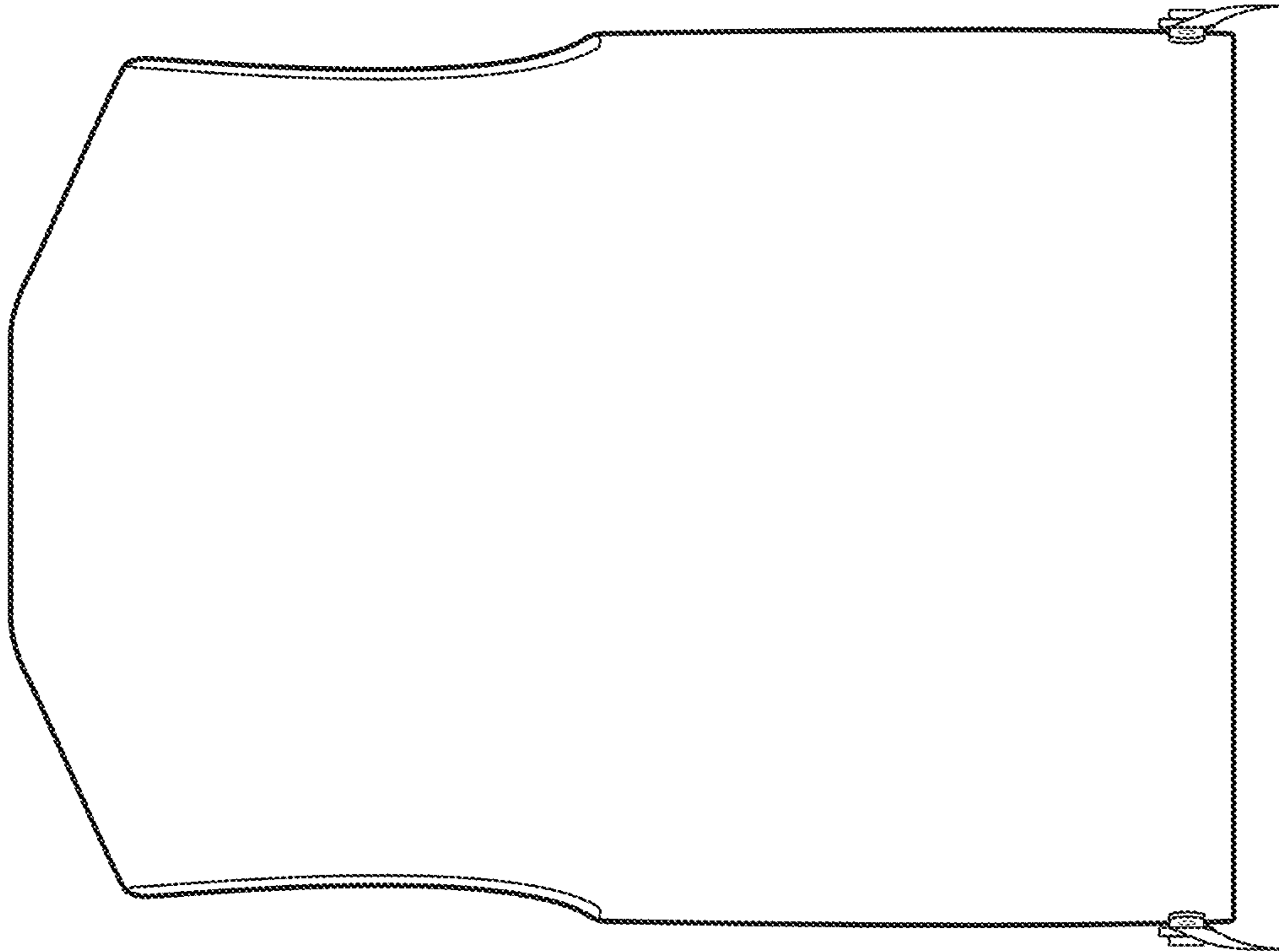


Fig. 3

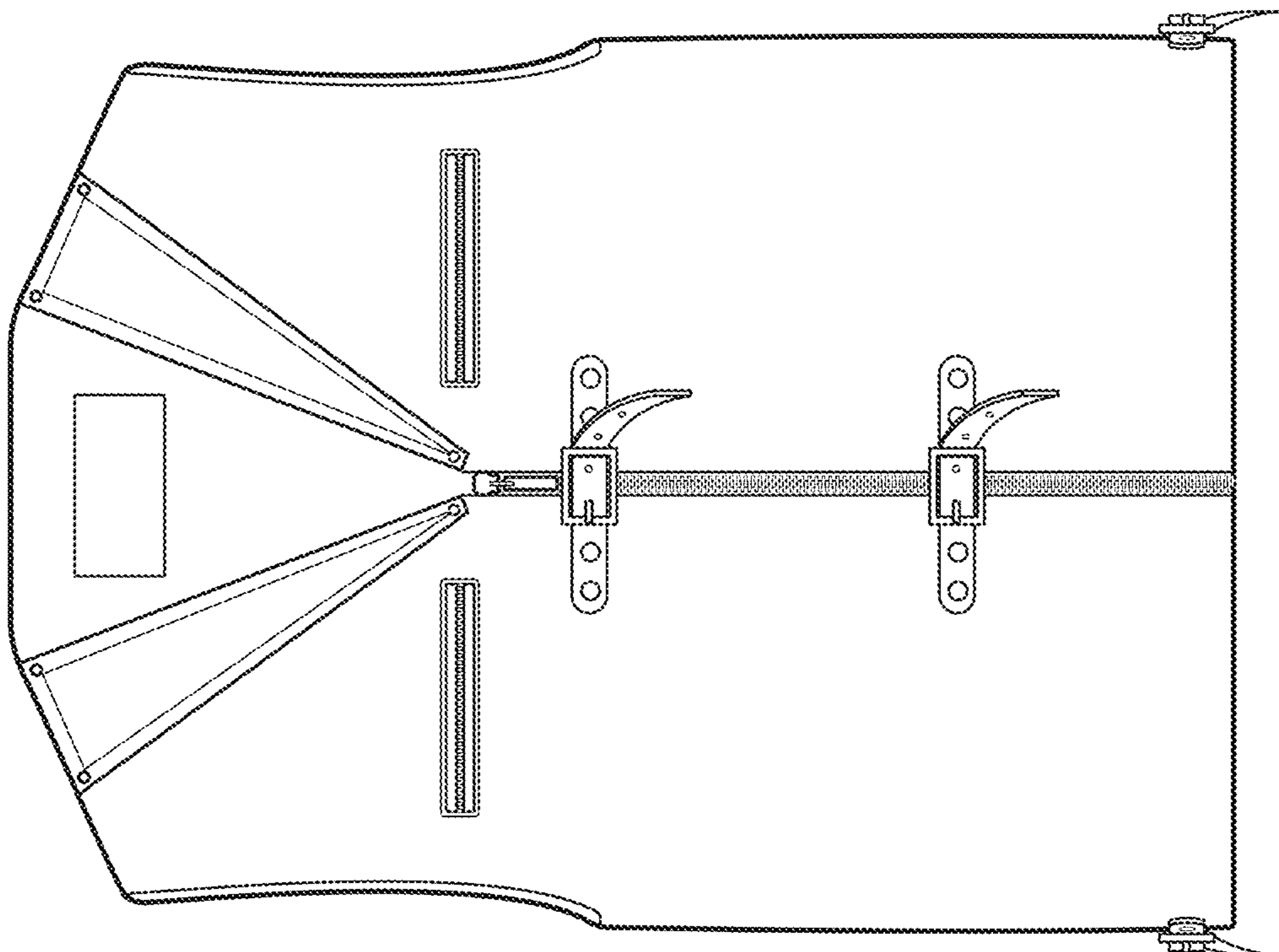


Fig. 2

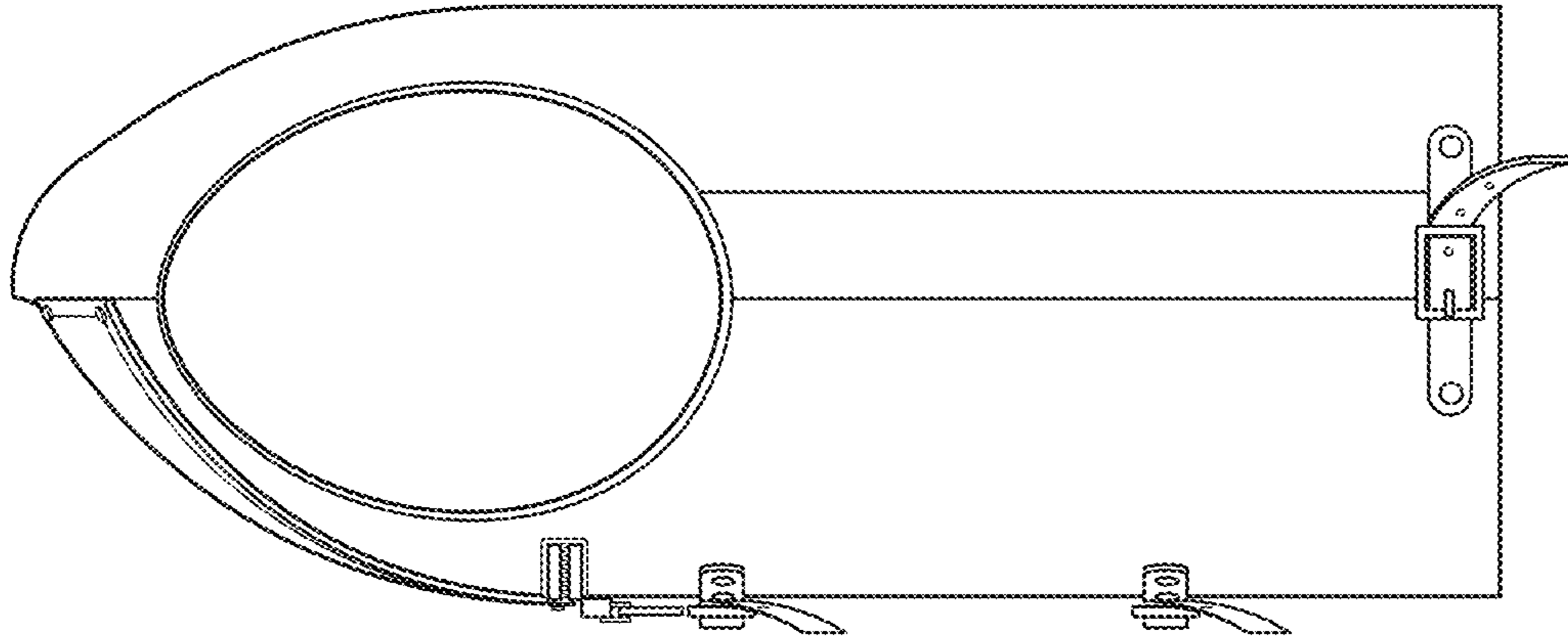


Fig. 5

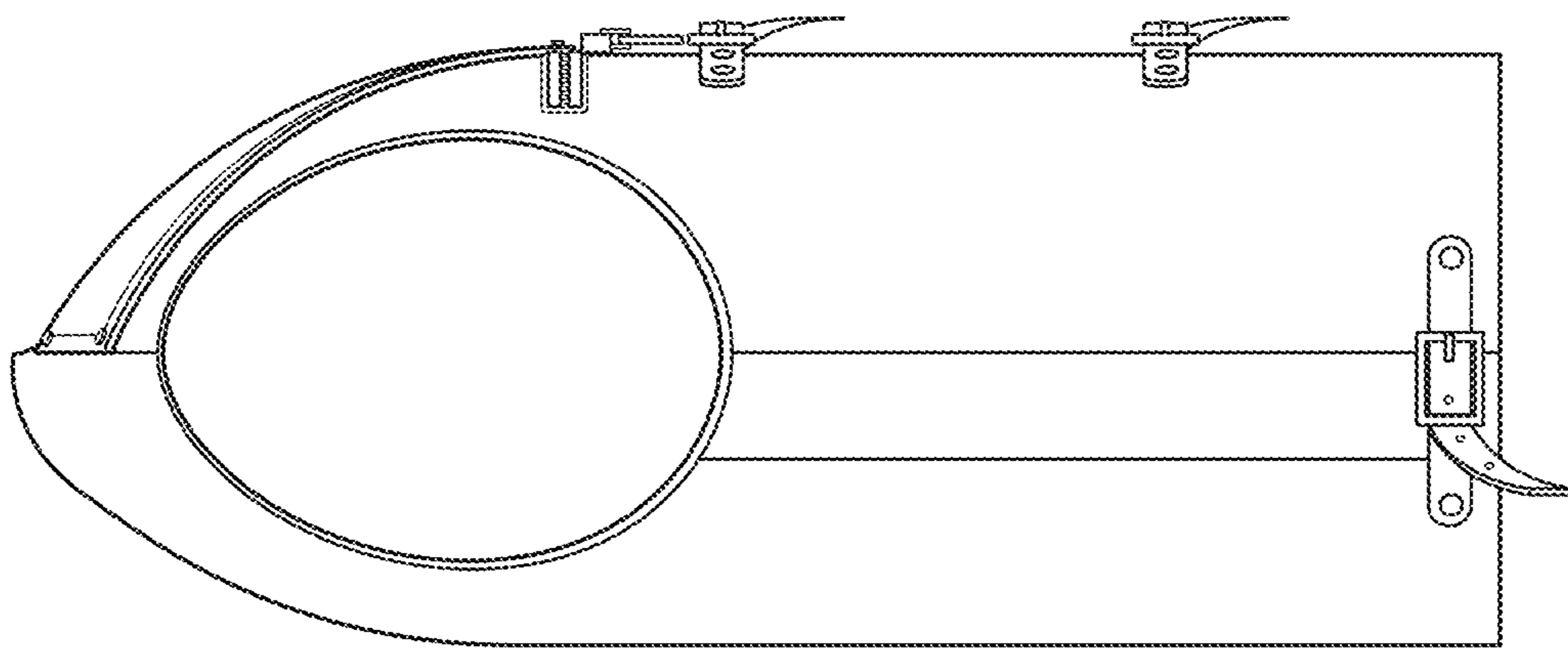


Fig. 4

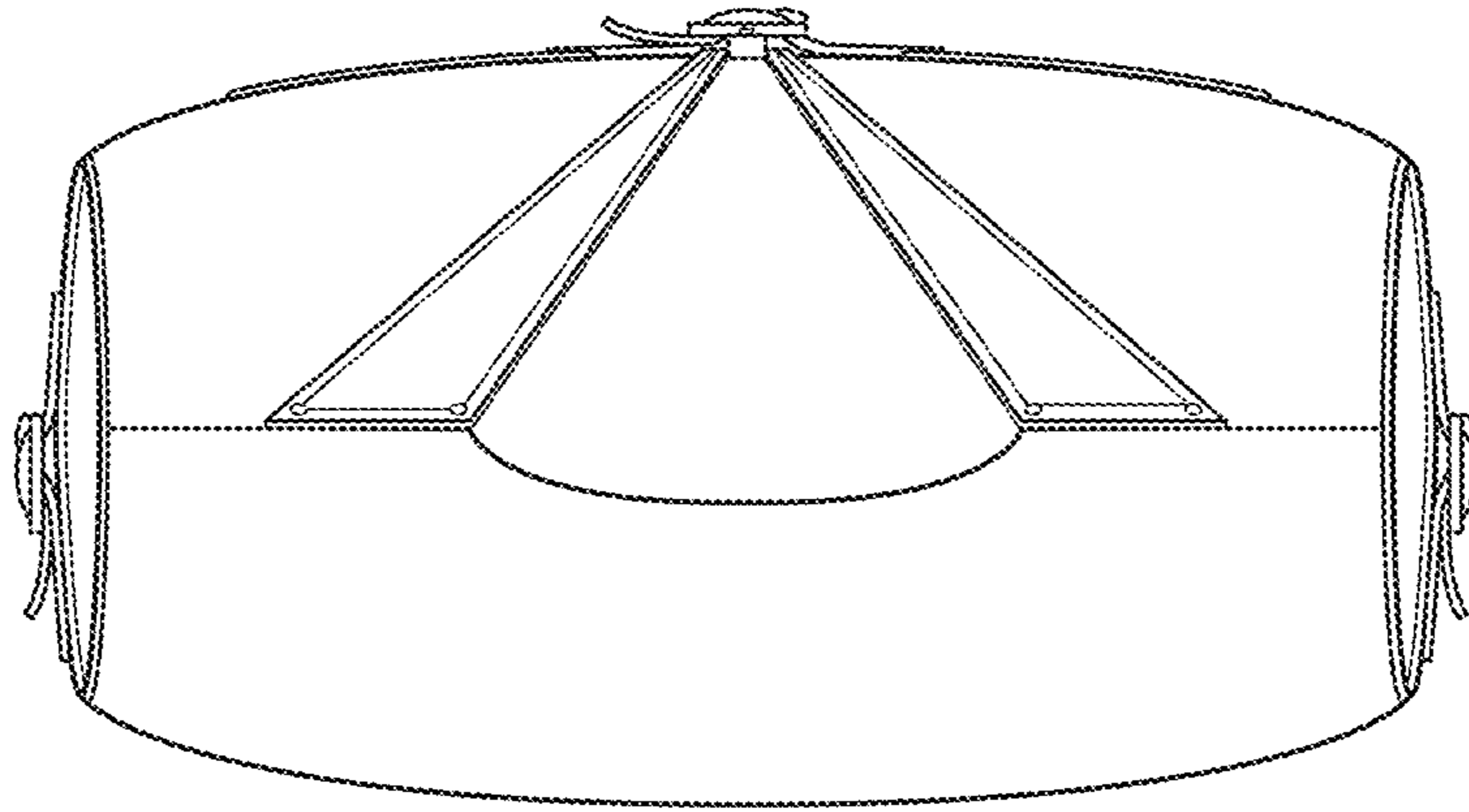


Fig. 6

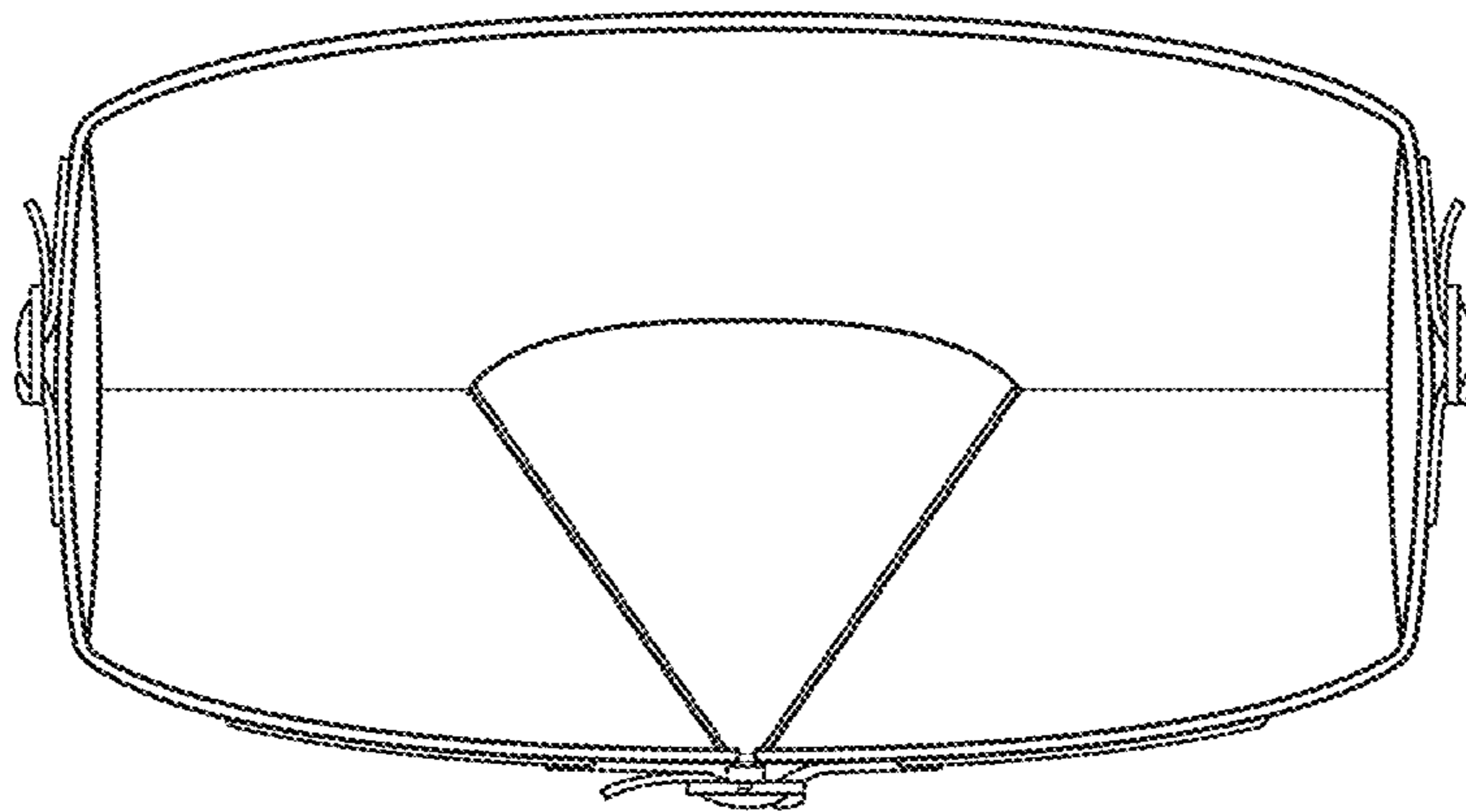


Fig. 7