



US00D935737S

(12) **United States Design Patent**
Farina

(10) **Patent No.:** **US D935,737 S**

(45) **Date of Patent:** **** Nov. 16, 2021**

(54) **GARMENT**

(71) Applicant: **Alina Sol**, Miami Beach, FL (US)

(72) Inventor: **Alissa Farina**, New York, NY (US)

(73) Assignee: **Alina Sol**, Miami Beach, FL (US)

(**) Term: **15 Years**

(21) Appl. No.: **29/740,343**

(22) Filed: **Jul. 2, 2020**

(51) **LOC (13) Cl.** **02-02**

(52) **U.S. Cl.**
USPC **D2/731**

(58) **Field of Classification Search**

USPC D2/700, 702, 704, 705, 712, 713, 714,
D2/715, 716, 728, 731, 732, 733, 734,
D2/737, 738, 742, 743, 744, 745, 853,
D2/857, 627; D3/224, 225, 226;
D21/662, 683
CPC A41B 11/14; A41B 11/143; A41B 11/146;
A41B 9/00; A41B 9/02; A41B 9/002;
A41B 9/04; A41B 9/14; A41D 1/06;
A41D 1/062; A41D 1/065; A41D 1/08;
A41D 1/084; A41D 1/088; A41D 7/00;
A41D 7/005; A41D 13/0015; A41D
13/0017; A41D 13/02; A41D 27/24;
A41D 27/245; A41D 2400/24; A41D
2400/38; A41D 17/02

See application file for complete search history.

(56) **References Cited**

U.S. PATENT DOCUMENTS

D661,871 S * 6/2012 Savage D2/742
D687,214 S * 8/2013 Farina D2/853
D746,051 S * 12/2015 Conway D3/226
D754,948 S * 5/2016 Cockram D2/853
D773,807 S 12/2016 Do

D793,665 S * 8/2017 Perez D2/742
D808,153 S * 1/2018 Denny D3/226
D816,303 S * 5/2018 Diakonov D2/857
9,961,947 B2 * 5/2018 Cockram A41D 27/20
D821,061 S 6/2018 Do
D827,057 S * 8/2018 Piotrowski D21/662
D842,585 S 3/2019 Do
D869,578 S * 12/2019 Voigt D21/662
2020/0187573 A1 * 6/2020 Junod A41D 13/0058

* cited by examiner

Primary Examiner — Jasmine Mlinarcik

(74) *Attorney, Agent, or Firm* — Arent Fox LLP

(57) **CLAIM**

The ornamental design for a garment, as shown and described.

DESCRIPTION

FIG. 1 is a top front left perspective view of a garment showing my new design in an inverse state, wherein the inside of the garment when worn is presently shown as the outside of the garment;

FIG. 2 is a front view of the design shown of FIG. 1;

FIG. 3 is a rear view of the design shown of FIG. 1;

FIG. 4 is a left side view of the design shown of FIG. 1;

FIG. 5 is a right side view of the design shown of FIG. 1;

FIG. 6 is a top view of the design shown of FIG. 1; and,

FIG. 7 is a bottom view of the design shown of FIG. 1.

The figures include broken, solid and dash-dot-dash lines.

The dash-dot-dash lines illustrate an unclaimed boundary of the claimed design. The areas within the solid lines and

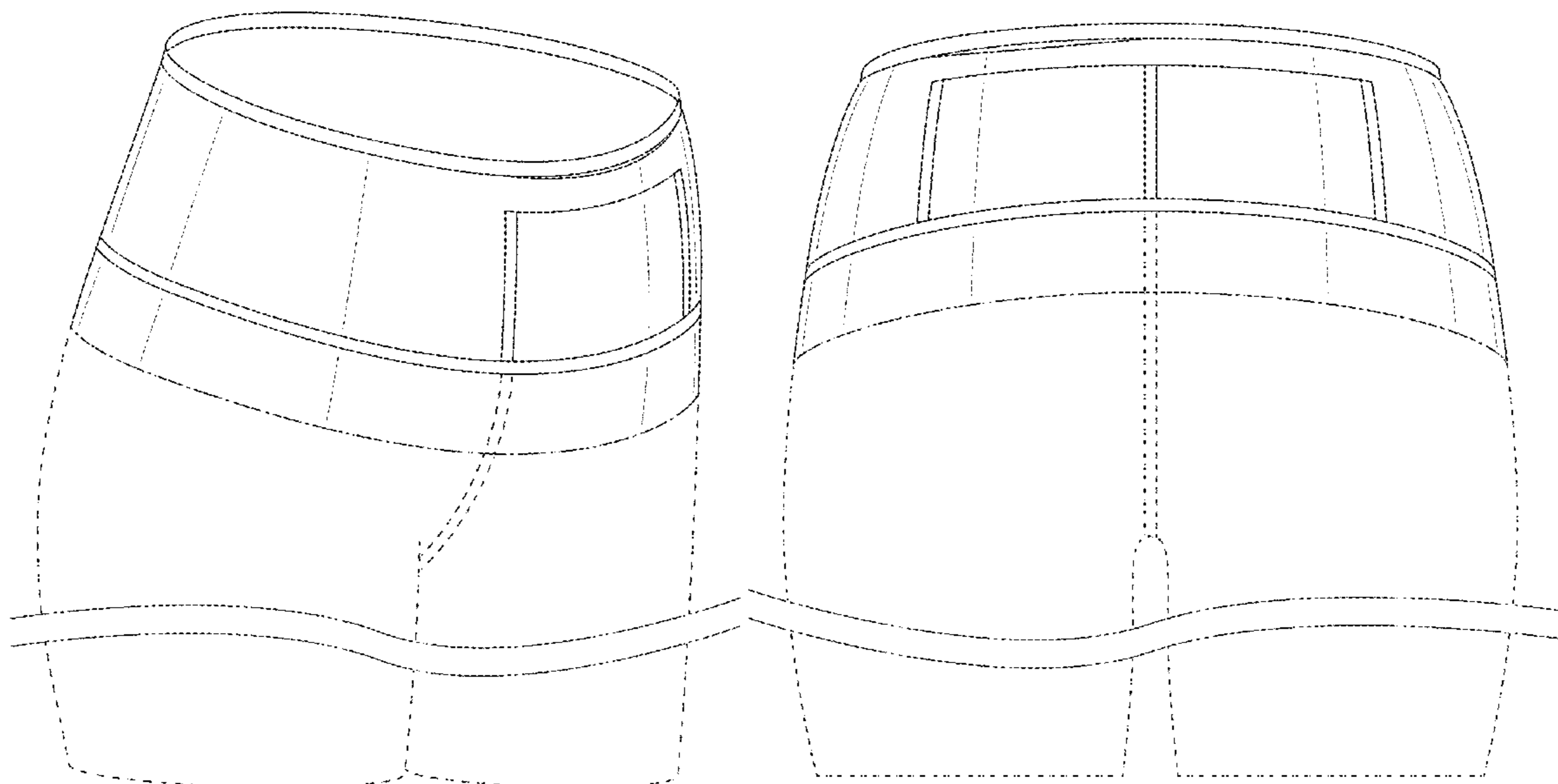
inside the dash-dot-dash lines form the claimed design. The break lines shown in the Figures indicate that the appearance

of any portion of the article between the break lines forms no part of the claimed design. The broken lines in the

Figures illustrate portions of the garment that form no part

of the claimed design.

1 Claim, 7 Drawing Sheets



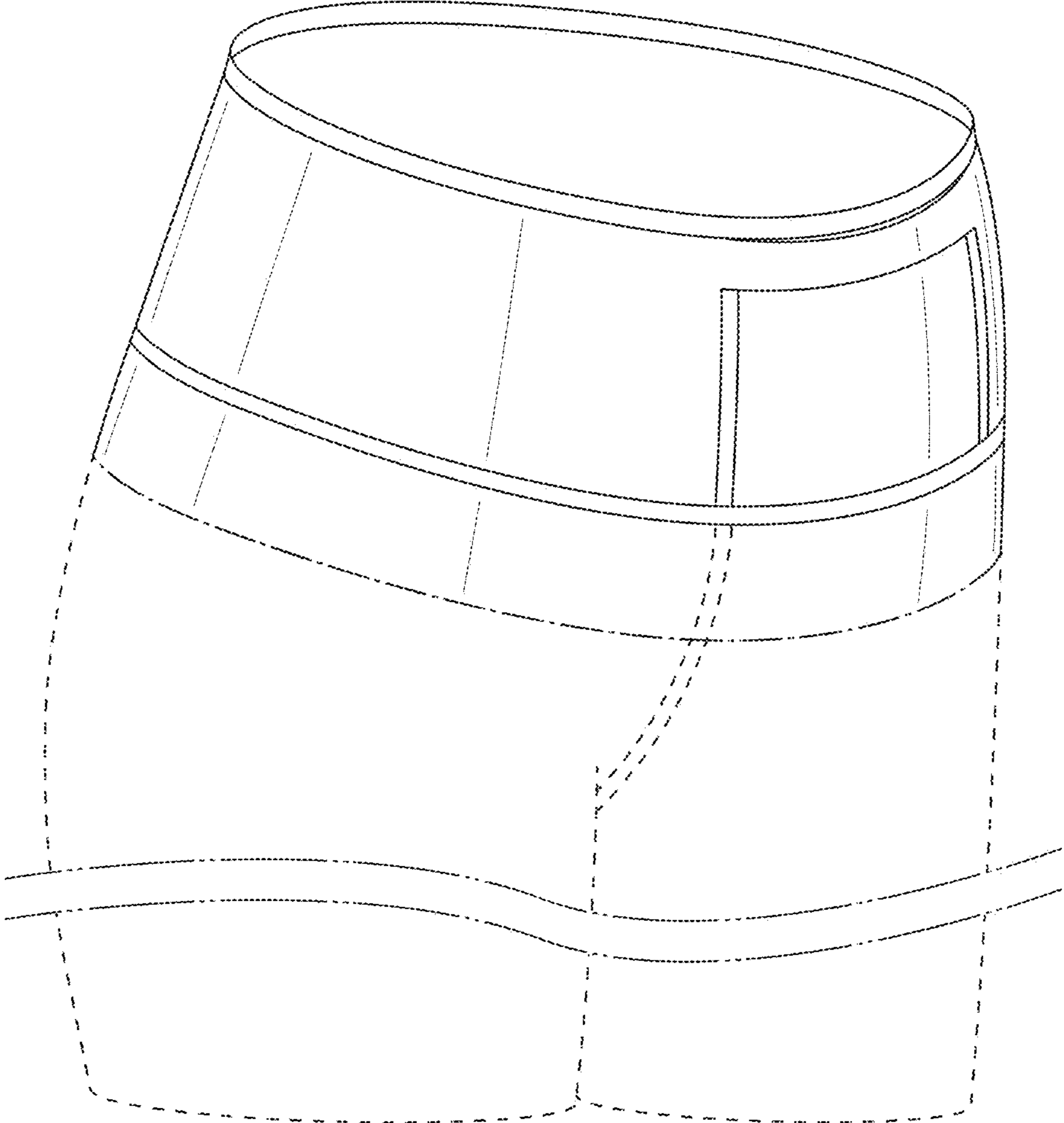


FIG. 1

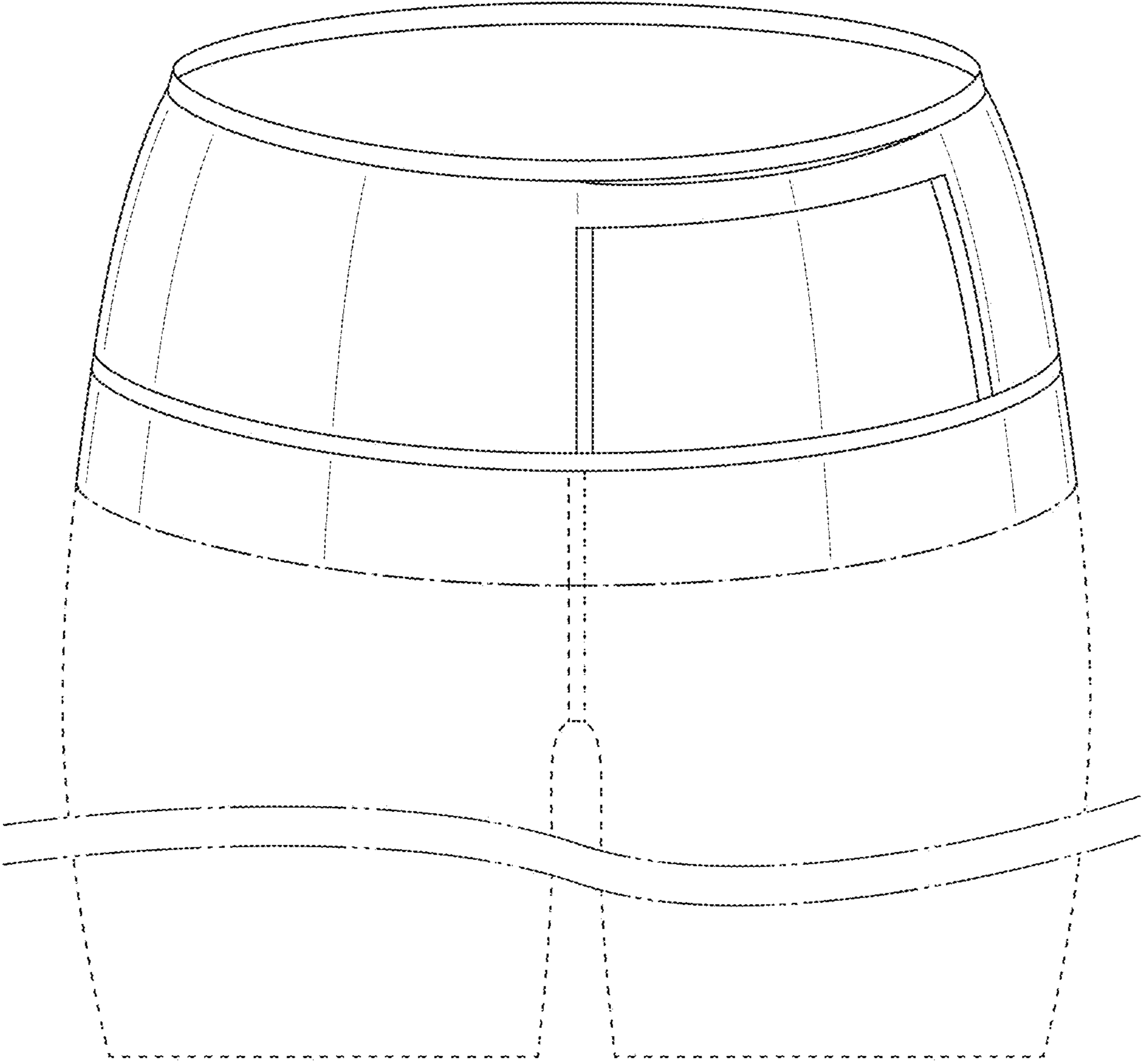


FIG. 2

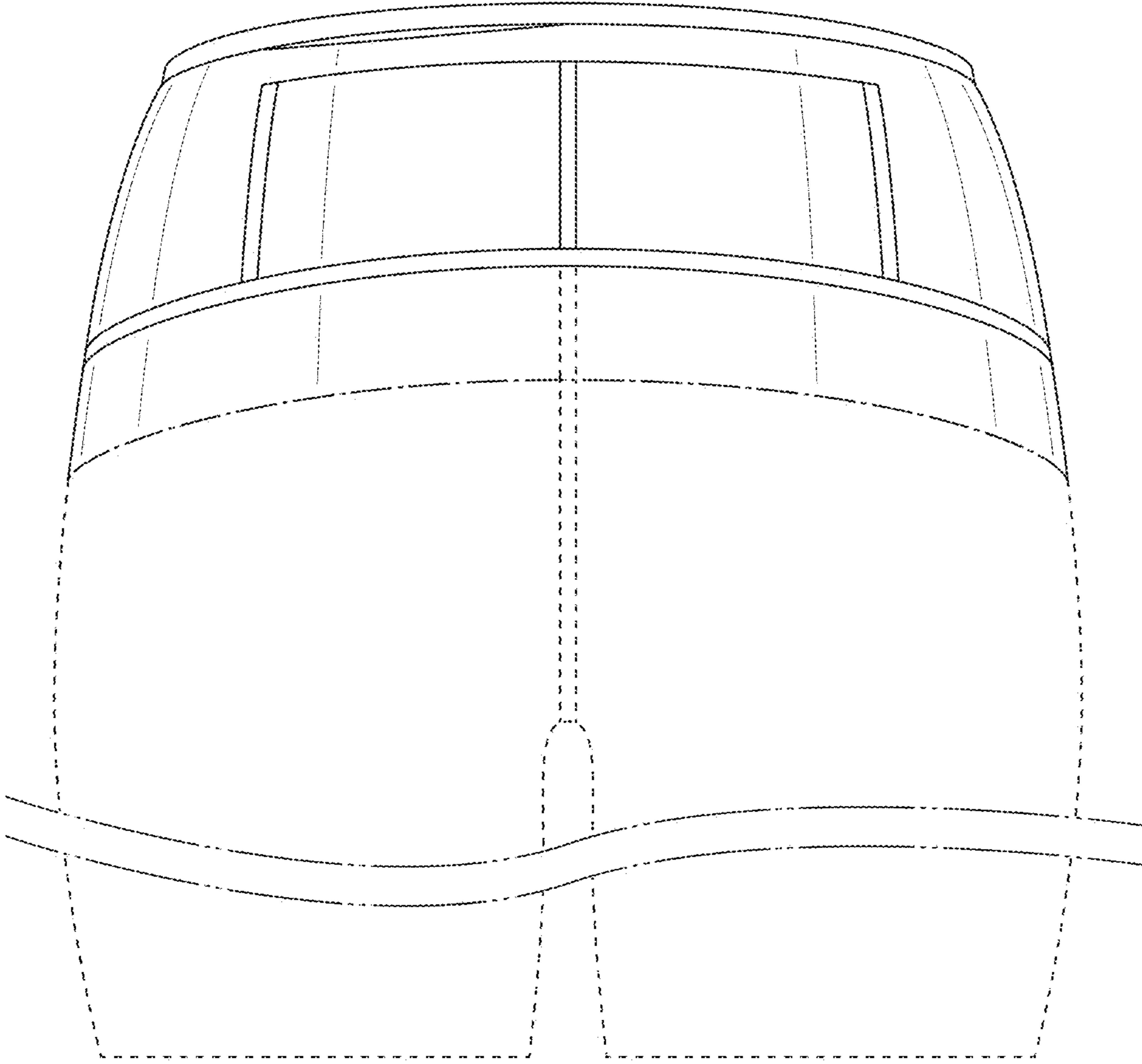


FIG. 3

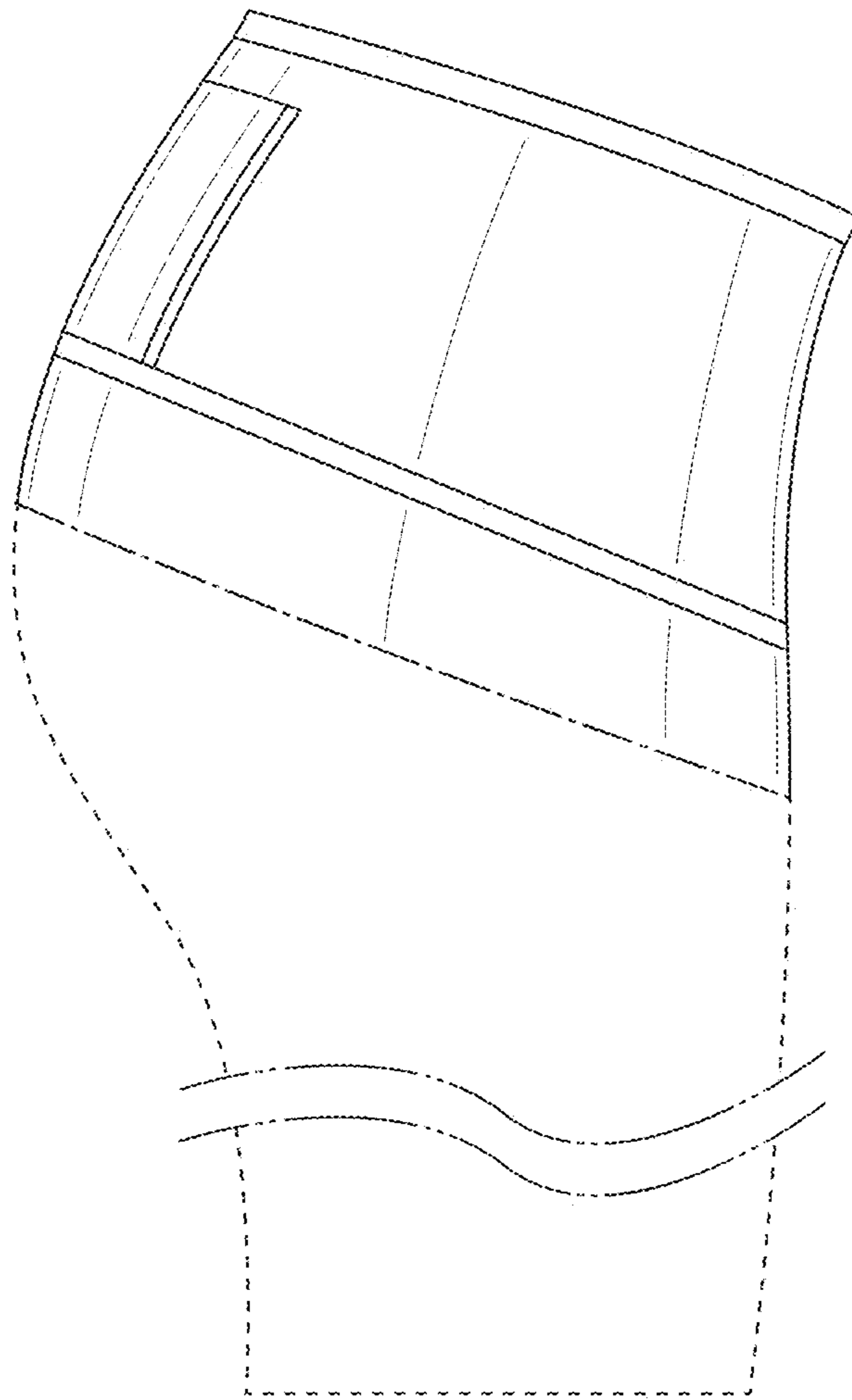


FIG. 4

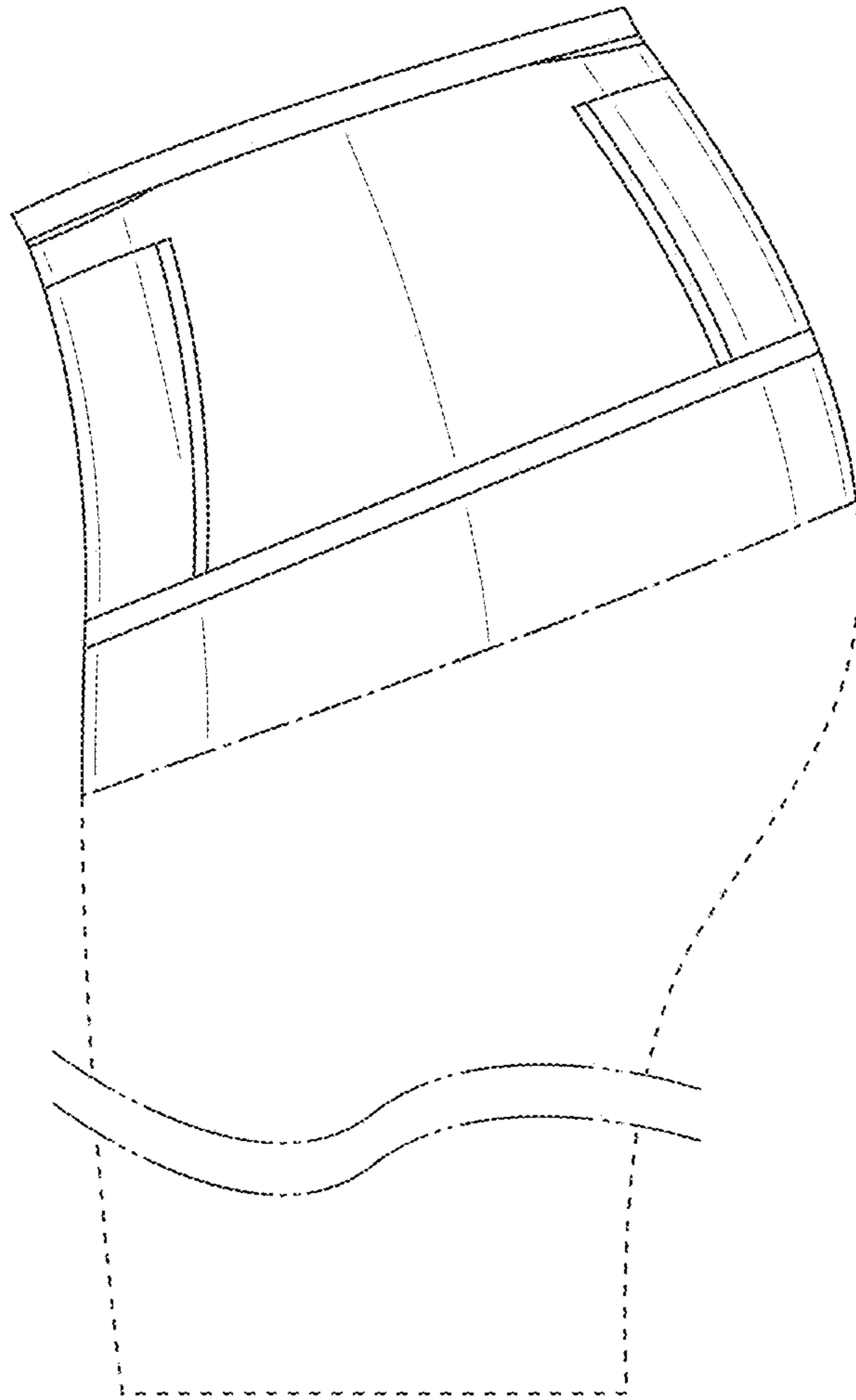


FIG. 5

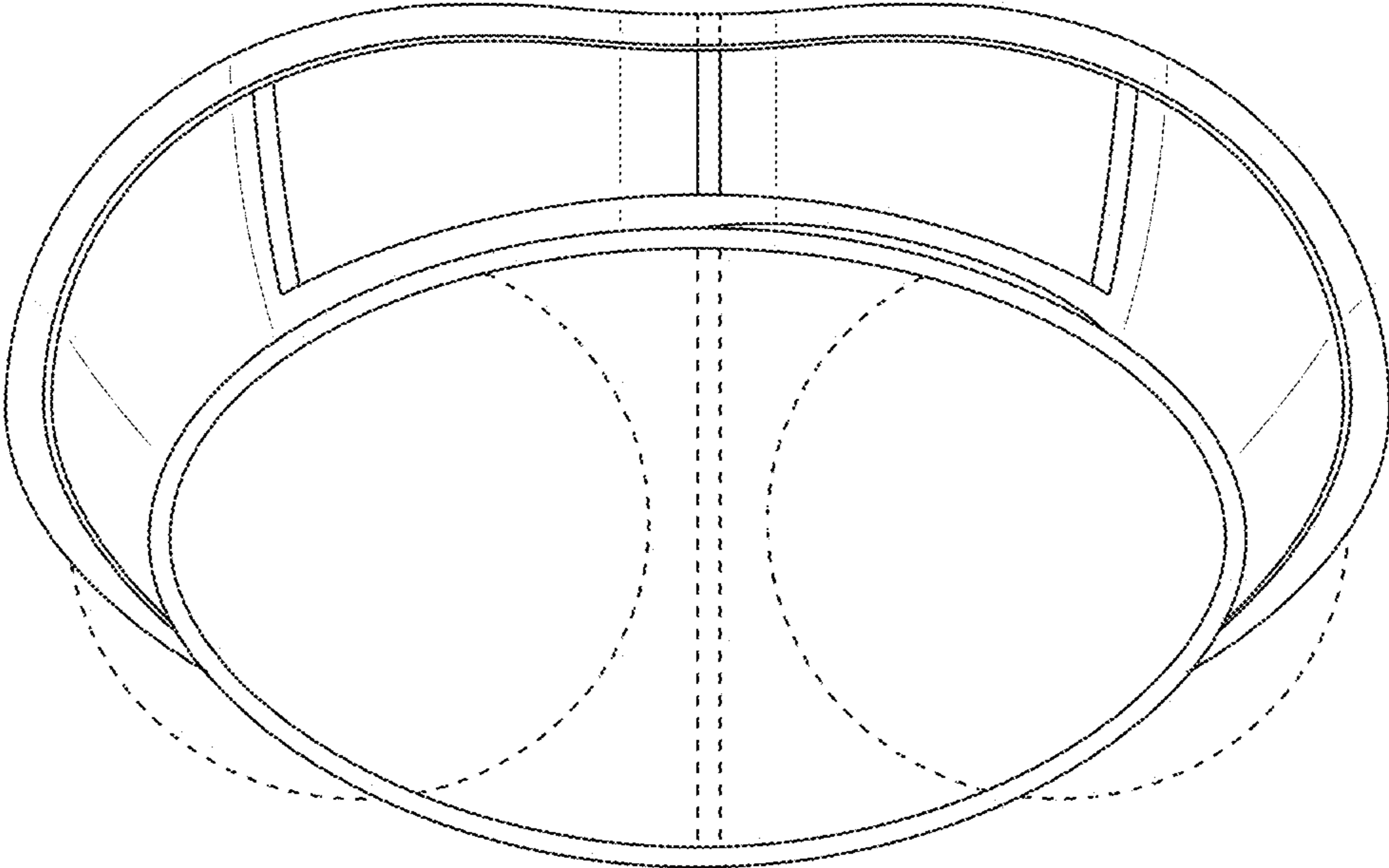


FIG. 6

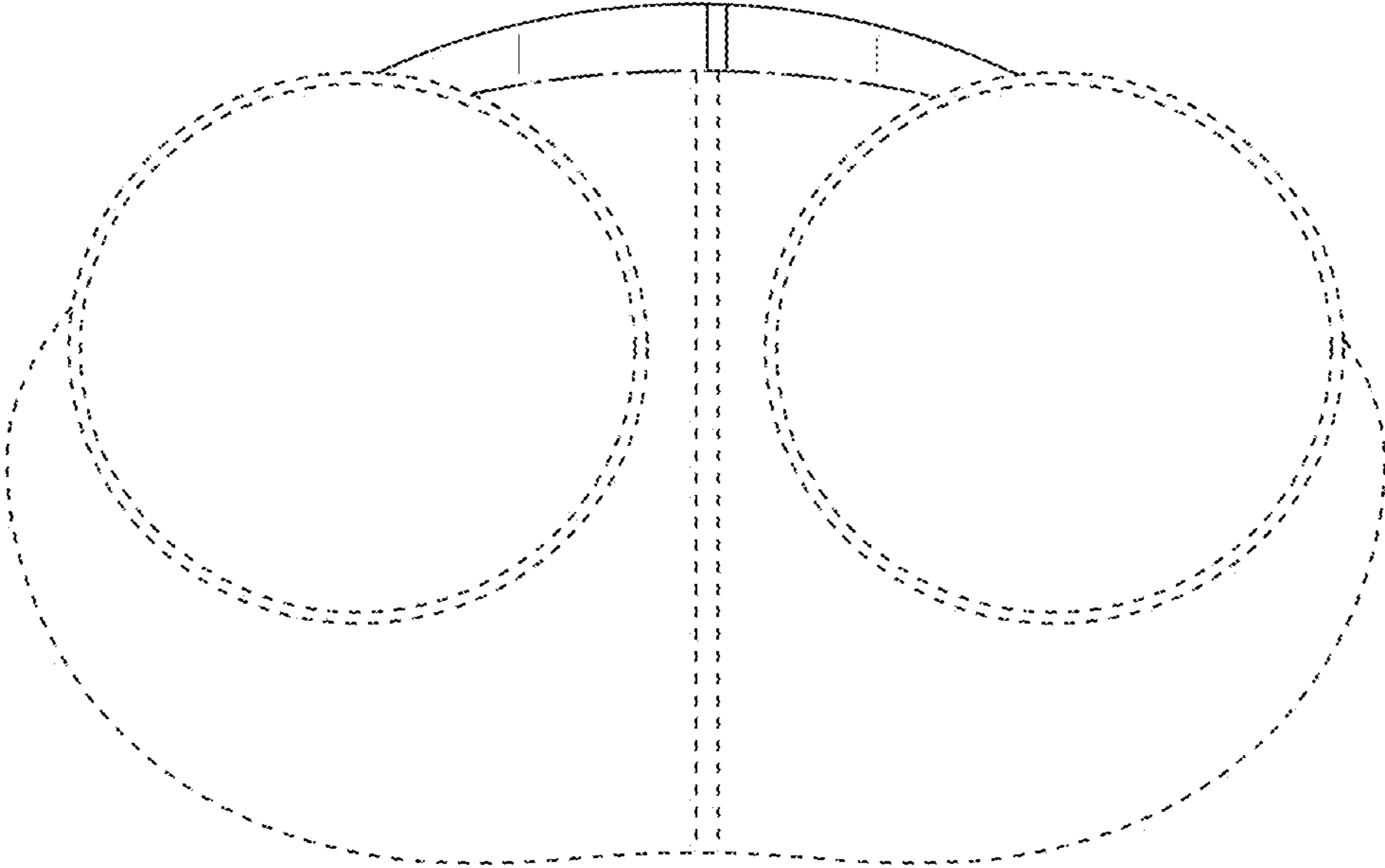


FIG. 7