



US00D935732S

(12) **United States Design Patent**  
**Guidolin**

(10) **Patent No.:** **US D935,732 S**

(45) **Date of Patent:** **\*\* Nov. 16, 2021**

(54) **SNACK**

(71) Applicant: **MAFIN S.R.L.**, Galliera Veneta (IT)

(72) Inventor: **Eraldo Guidolin**, Galliera Veneta (IT)

(73) Assignee: **MAFIN S.R.L.**, Galliera Veneta (IT)

(\*\*) Term: **15 Years**

(21) Appl. No.: **29/765,840**

(22) Filed: **Jan. 12, 2021**

**Related U.S. Application Data**

(62) Division of application No. 29/706,973, filed on Sep. 25, 2019, now Pat. No. Des. 917,827.

(30) **Foreign Application Priority Data**

Mar. 25, 2019 (EM) ..... 006329249

(51) **LOC (13) Cl.** ..... **01-01**

(52) **U.S. Cl.**  
USPC ..... **D1/125**; D1/128

(58) **Field of Classification Search**  
USPC ..... D1/100–130, 199; 426/94, 104, 138,  
426/143, 144, 274, 283, 303, 391, 512,  
426/514, 518, 549; D6/597, 601;  
D7/675, 560, 566, 568; D24/101–104;  
D28/8.1, 8.2; D21/385, 386, 707  
CPC ..... A23L 1/0067; A23L 1/005; A23L 1/0052;  
A23L 1/217; A23G 9/48; A23G 3/54;  
A23V 2002/00  
See application file for complete search history.

(56) **References Cited**

**U.S. PATENT DOCUMENTS**

D115,322 S 6/1939 Streit  
3,441,001 A \* 4/1969 Fisher ..... A01K 15/025  
119/709

D242,188 S \* 11/1976 Vondell ..... D1/123  
4,084,365 A \* 4/1978 Read ..... E04D 1/2918  
52/529  
4,314,095 A \* 2/1982 Moore ..... A61N 1/05  
174/84 C  
206/584  
D279,170 S \* 6/1985 Witte .....  
D315,437 S 3/1991 Stein  
D323,233 S 1/1992 Duffy  
D323,234 S 1/1992 Duffy  
D324,290 S 3/1992 Stein  
D334,645 S 4/1993 Kennedy  
D391,736 S 3/1998 Oelke  
5,747,092 A 5/1998 Carey et al.  
D423,186 S 4/2000 Stalder

(Continued)

**OTHER PUBLICATIONS**

Gupta A., “Shakkarpara/Shankarpali/Meethe Pare”, Food Fitness Beauty and More, <https://www.foodfitnessbeautyandmore.com/shakkarpara-shankarpali-meethe-pare/> (Oct. 11, 2019).

(Continued)

*Primary Examiner* — Katie Jane Stofko

(74) *Attorney, Agent, or Firm* — Scully, Scott, Murphy & Presser, P.C.

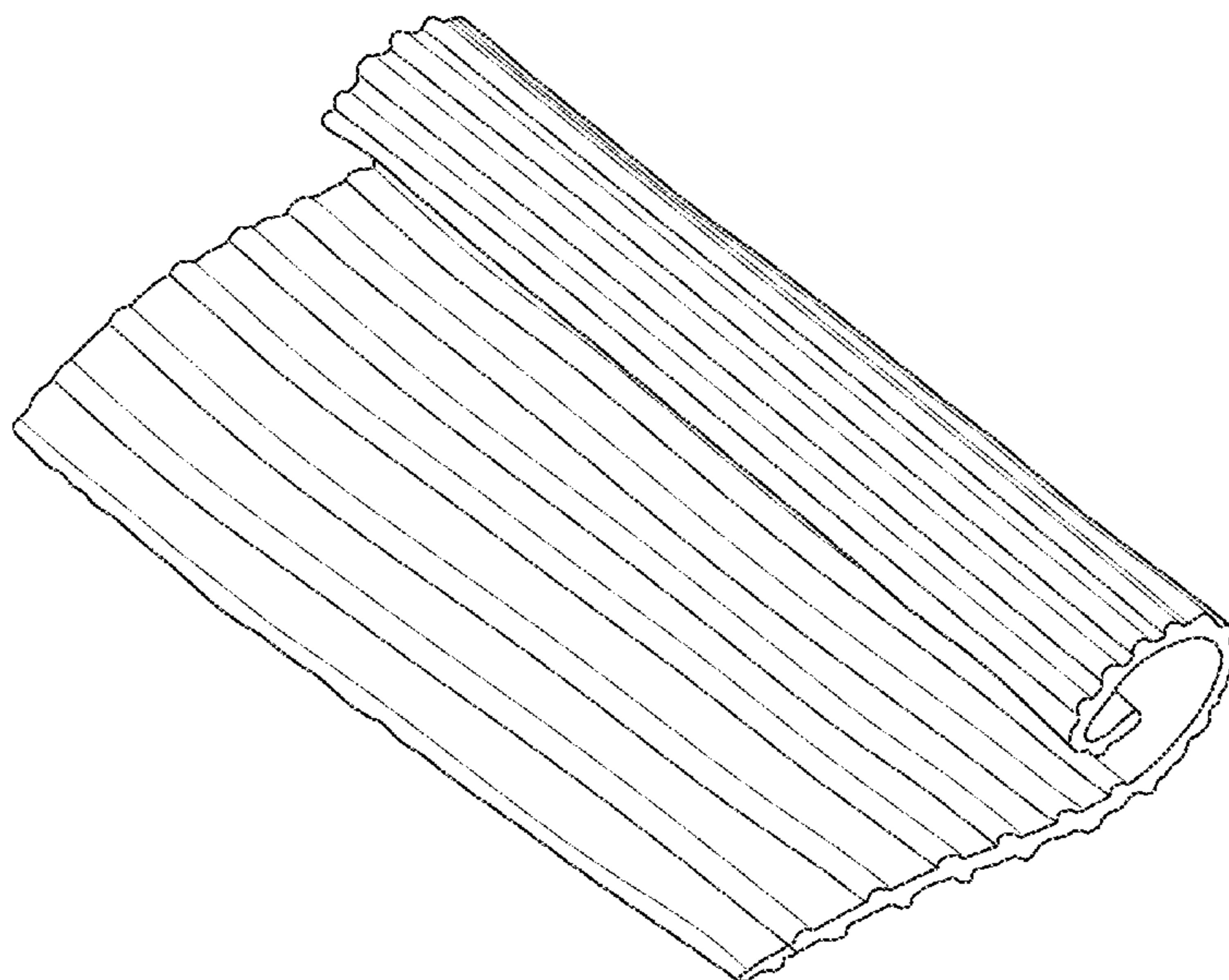
(57) **CLAIM**

The ornamental design for a snack, as shown.

**DESCRIPTION**

FIG. 1 is a perspective view of a snack showing my new design;  
FIG. 2 is a front view thereof;  
FIG. 3 is a rear view thereof;  
FIG. 4 is a left side view thereof;  
FIG. 5 is a right side view thereof;  
FIG. 6 is a top view thereof; and,  
FIG. 7 is a bottom view thereof.

**1 Claim, 4 Drawing Sheets**



(56)

References Cited

U.S. PATENT DOCUMENTS

D452,360 S 12/2001 Teras  
 D453,863 S 2/2002 Kang et al.  
 6,491,959 B1 12/2002 Chiang et al.  
 D493,271 S 7/2004 Bhaskar et al.  
 D527,497 S 8/2006 Grimes  
 D533,981 S 12/2006 Bond  
 D578,276 S 10/2008 Pavan  
 D643,176 S 8/2011 Pavan  
 D652,179 S \* 1/2012 Haaf ..... D30/160  
 D678,656 S 3/2013 Gottardi B. Maia  
 D681,309 S 5/2013 Pavan  
 D713,118 S \* 9/2014 Park ..... D1/128  
 D731,741 S 6/2015 Brown et al.  
 D732,732 S 6/2015 Rushforth et al.  
 D764,741 S \* 8/2016 Guidolin ..... D1/128  
 D778,526 S 2/2017 Martin et al.  
 D784,605 S 4/2017 Rushforth et al.  
 D788,997 S 6/2017 Fore  
 D798,525 S 10/2017 Guidolin  
 D798,528 S 10/2017 Guidolin  
 D810,392 S 2/2018 Mathew et al.  
 D822,324 S 7/2018 Bello  
 D838,081 S 1/2019 Marks

D850,755 S 6/2019 Howe et al.  
 D858,031 S \* 9/2019 Guidolin ..... D1/123  
 D871,716 S \* 1/2020 Guidolin ..... D1/123  
 D911,832 S 3/2021 Ball  
 D917,827 S \* 5/2021 Guidolin ..... D1/128  
 2002/0043158 A1 4/2002 Stevenson et al.  
 2003/0096039 A1 5/2003 Lauen et al.  
 2005/0074537 A1 4/2005 Bakos  
 2006/0193963 A1 8/2006 Harrington  
 2007/0169232 A1 \* 7/2007 Rampersad ..... A21D 13/40  
 426/106  
 2007/0220678 A1 9/2007 Ciliento  
 2011/0308538 A1 \* 12/2011 Jarvis ..... A21D 13/48  
 131/226

OTHER PUBLICATIONS

U.S. non-Final Office Action dated Jun. 23, 2021 in related application, namely, U.S. Appl. No. 29/765,842.  
 U.S. non-Final Office Action dated Jun. 11, 2021 in related application, namely, U.S. Appl. No. 29/765,844.  
 U.S. Notice of Allowance dated Jul. 7, 2021 in related application, namely, U.S. Appl. No. 29/765,841.

\* cited by examiner

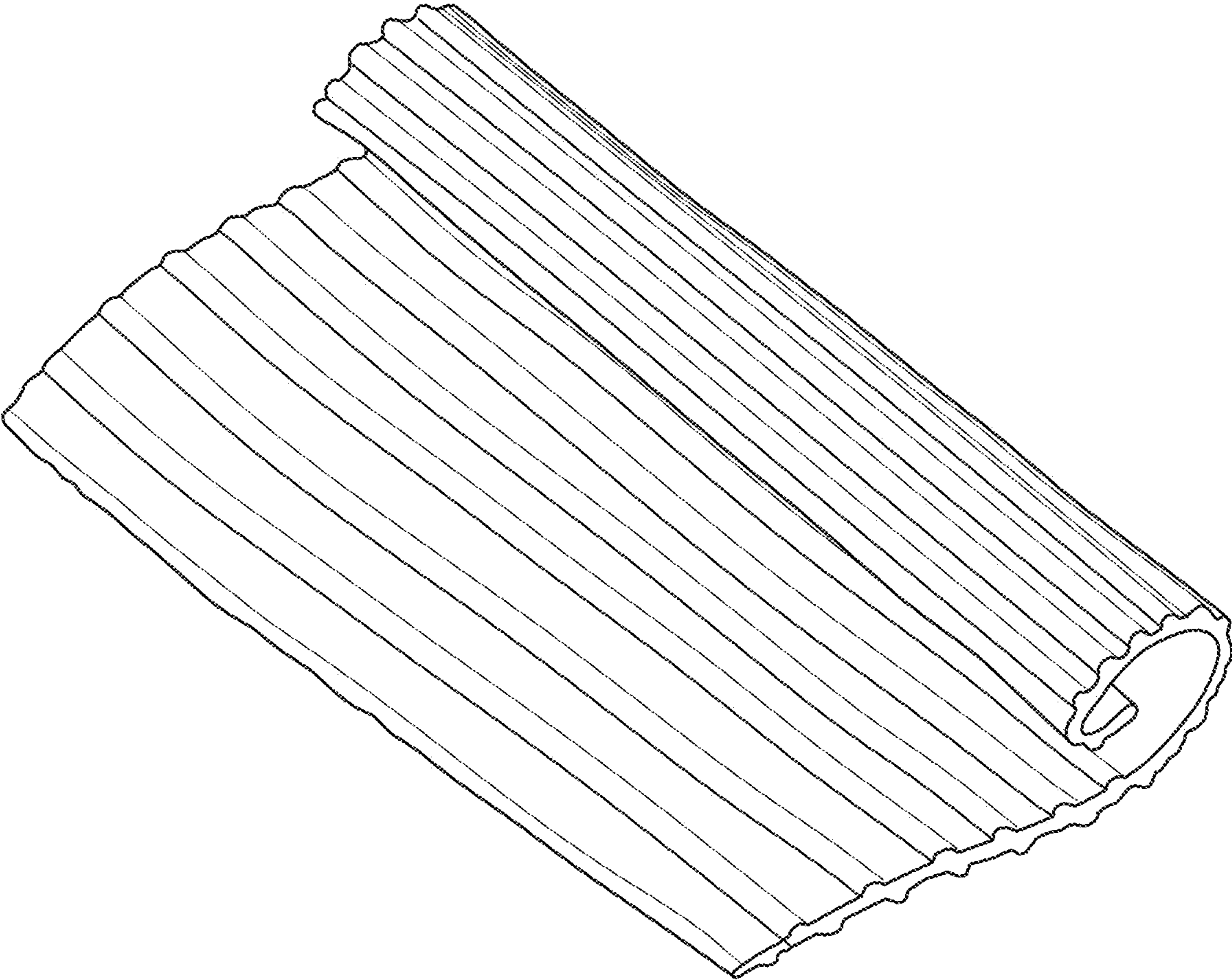


FIG. 1

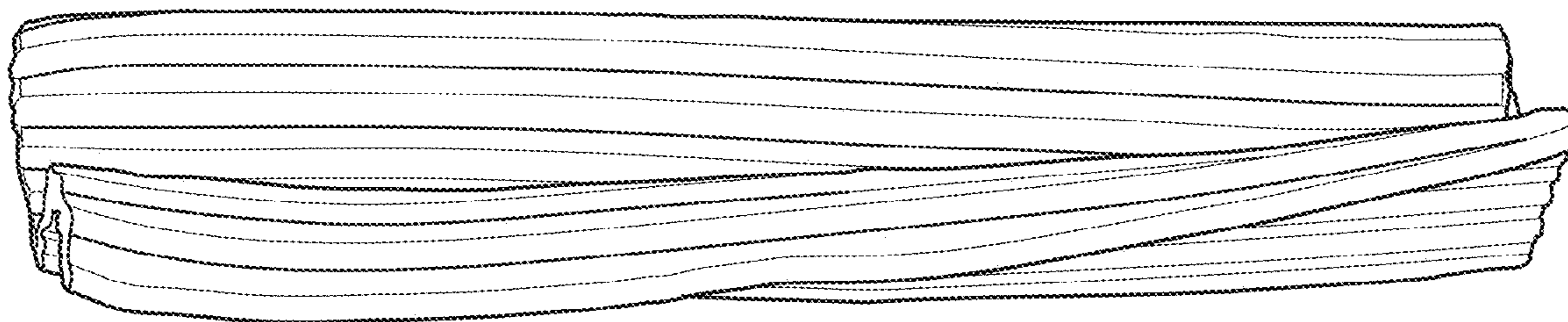


FIG. 2

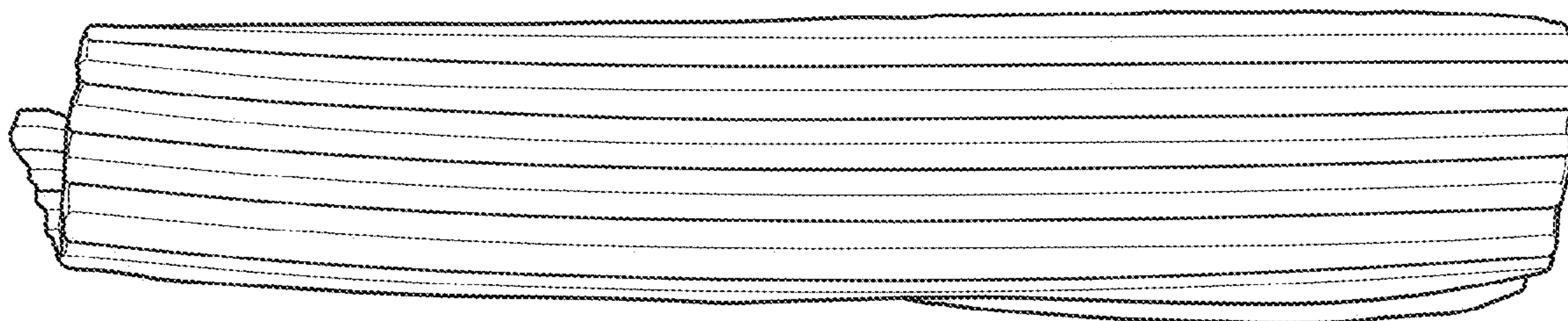


FIG. 3

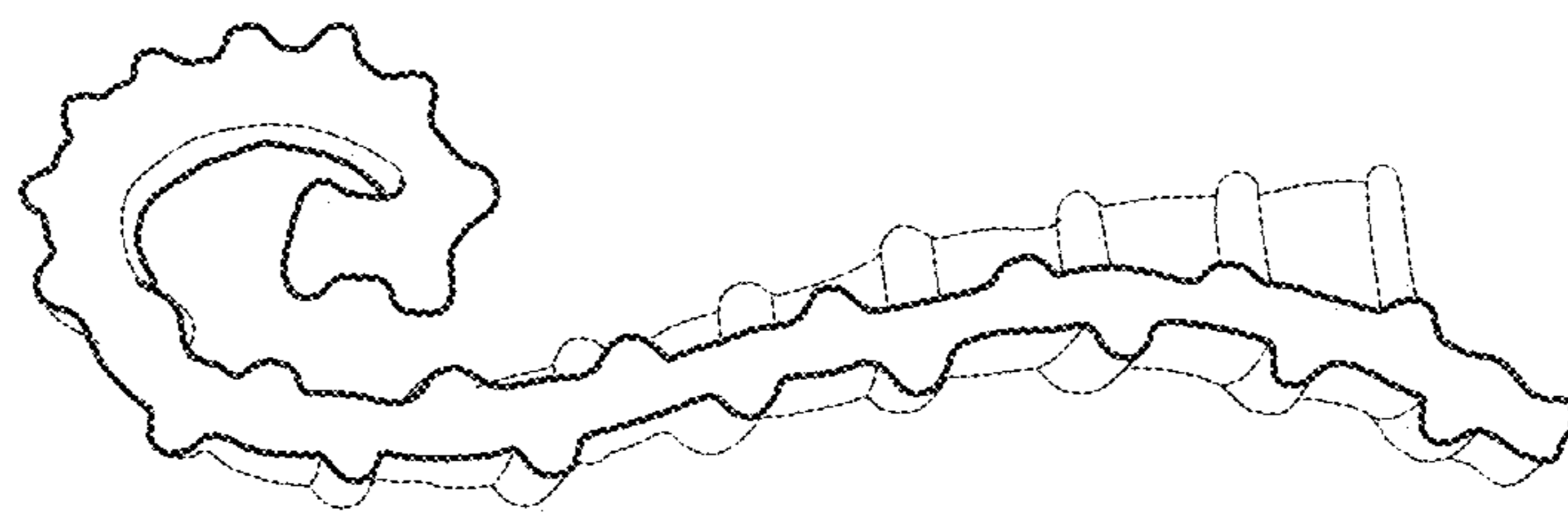


FIG. 4



FIG. 5

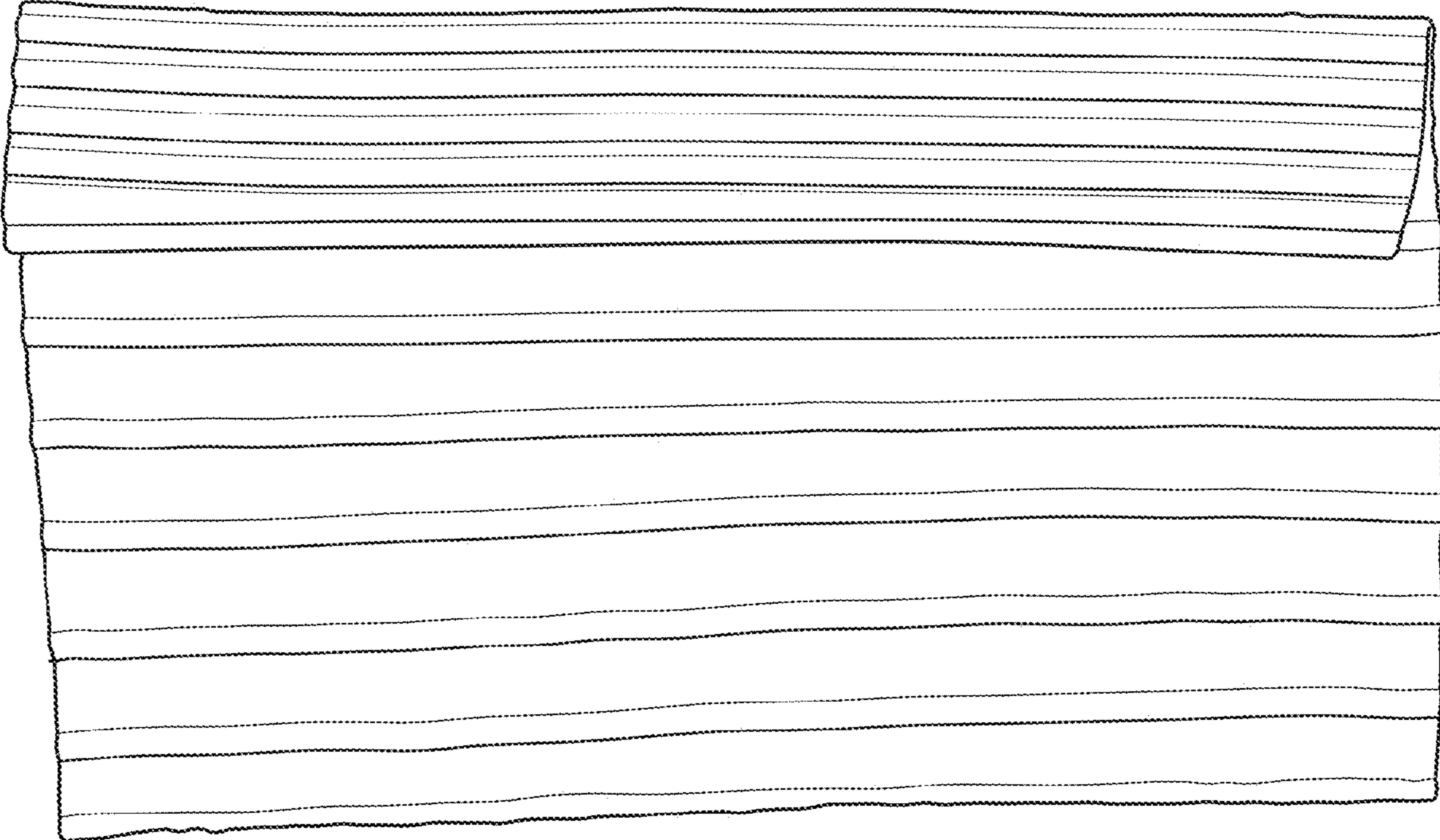


FIG. 6

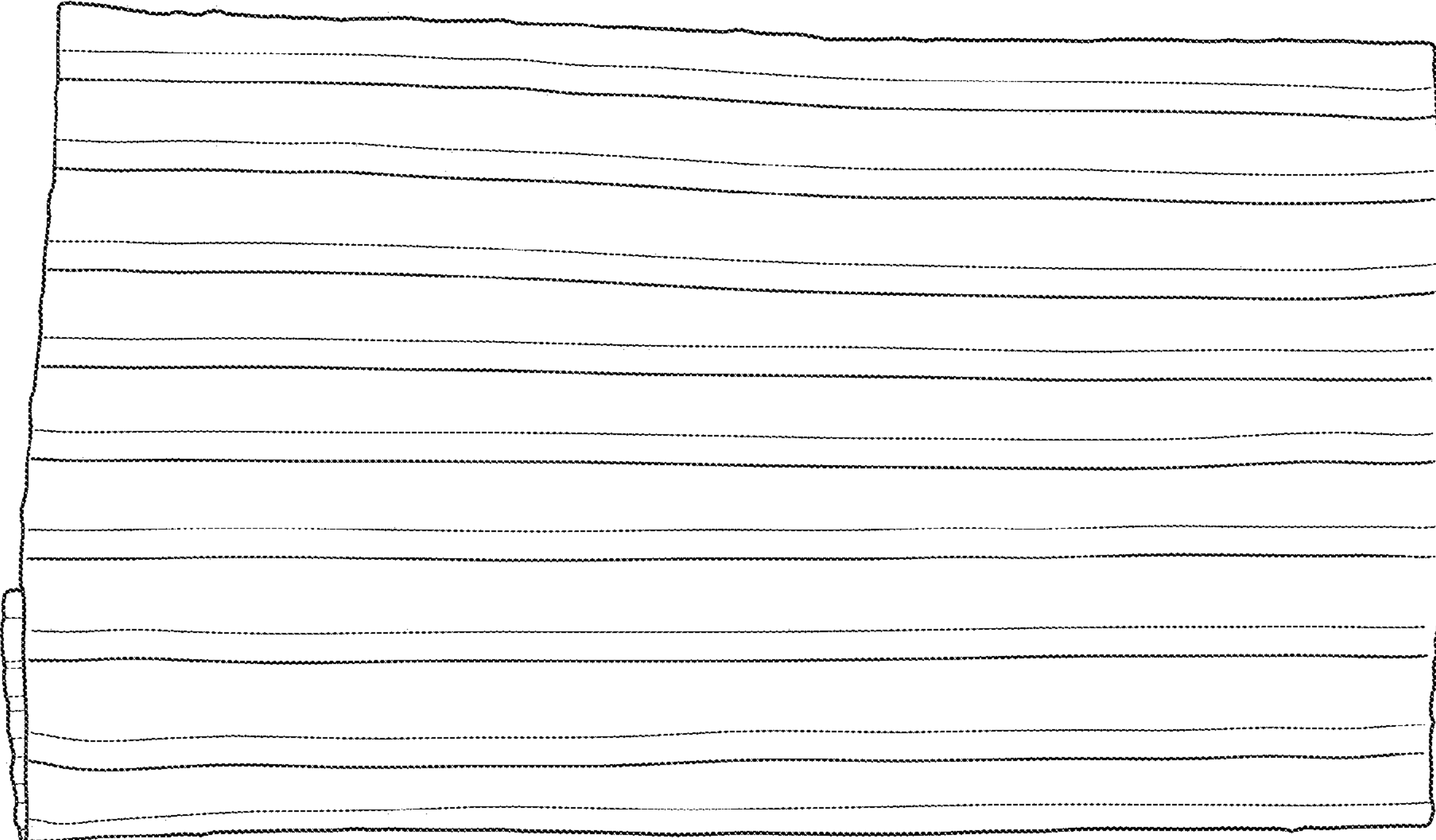


FIG. 7