



US00D935731S

(12) **United States Design Patent** (10) **Patent No.:** **US D935,731 S**  
**Lafreniere et al.** (45) **Date of Patent:** **\*\* Nov. 16, 2021**

(54) **LOW-PROFILE CABLE ARMOR** 3,930,419 A \* 1/1976 Kramer ..... F16C 1/26  
74/502.5

(71) Applicant: **AFC Cable Systems, Inc.**, New Bedford, MA (US) 4,282,398 A 8/1981 Solomon  
D326,257 S \* 5/1992 Lee ..... D13/129  
5,189,719 A \* 2/1993 Coleman ..... G02B 6/4435  
174/102 D

(72) Inventors: **Peter Lafreniere**, Mattapoisett, MA (US); **Stephen Lundgren**, Marion, MA (US); **Paulo Damoura**, Dorchester, MA (US); **Ronald Pegg**, New Bedford, MA (US); **Antonio Araujo**, New Bedford, MA (US); **David Campbell**, Bristol, RI (US) 5,259,418 A 11/1993 Hamrick  
5,329,605 A 7/1994 Wargotz  
5,350,885 A 9/1994 Falciglia et al.  
5,600,098 A \* 2/1997 Kazaks ..... H02G 3/0481  
174/135  
D380,197 S \* 6/1997 Garcia ..... D13/152  
5,708,235 A 1/1998 Falciglia et al.  
5,739,472 A 4/1998 Buck et al.  
6,034,329 A \* 3/2000 Kawamura ..... B60R 16/0215  
138/162

(73) Assignee: **AFC Cable System, Inc.**, Bedford, MA (US) 6,127,632 A 10/2000 Oswald et al.  
6,140,584 A \* 10/2000 Baldissara ..... H02G 3/045  
174/68.3

(\*\*) Term: **15 Years** 6,255,592 B1 7/2001 Pennington et al.  
(Continued)

(21) Appl. No.: **29/706,679**

(22) Filed: **Sep. 23, 2019**

(51) **LOC (13) Cl.** ..... **13-03**

(52) **U.S. Cl.**  
USPC ..... **D1/100; D13/155; D13/156**

(58) **Field of Classification Search**  
USPC ..... **D13/155, 152, 153, 129**  
CPC ..... **H02G 3/0481; F16C 1/26; H01T 4/08; B60R 16/0215**  
See application file for complete search history.

(56) **References Cited**

U.S. PATENT DOCUMENTS

1,134,119 A 4/1915 Gilson  
1,215,365 A 2/1917 Gilson  
1,819,175 A 8/1931 James  
1,908,063 A 5/1933 Schneider  
2,454,625 A 11/1948 Bondon  
3,311,133 A 3/1967 Kinander  
3,369,153 A \* 2/1968 Arnold ..... H01T 4/08  
361/55

**FOREIGN PATENT DOCUMENTS**

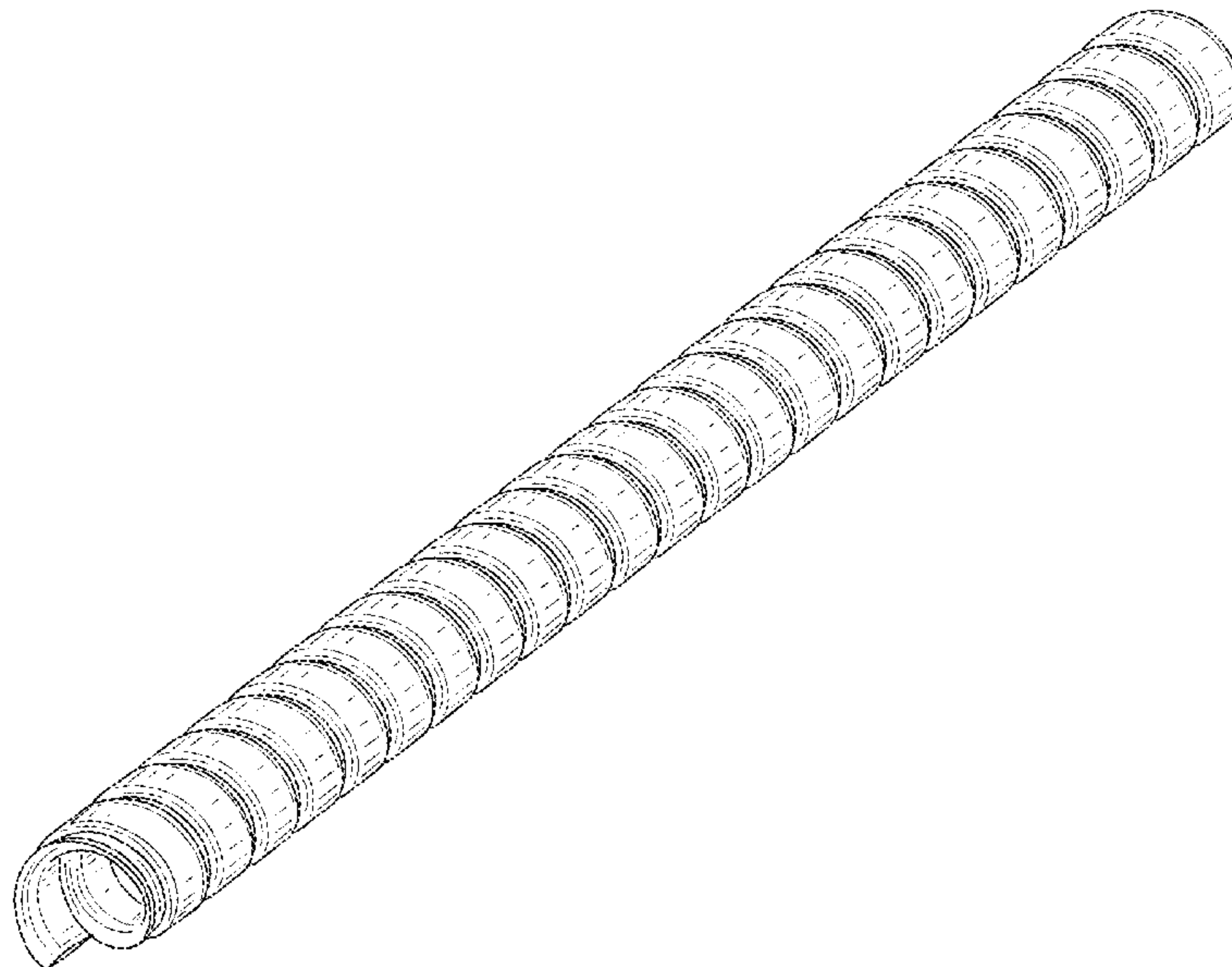
EP 0595535 B1 3/1997  
*Primary Examiner* — Rhea Shields  
(74) *Attorney, Agent, or Firm* — Kacvinsky Daisak Bluni PLLC

(57) **CLAIM**  
The ornamental design for a low-profile cable armor, as shown and described.

**DESCRIPTION**

FIG. 1 is an isometric view of our new design;  
FIG. 2 is a first side view of the design of FIG. 1;  
FIG. 3 is a second side view and of the design of FIG. 1;  
FIG. 4 is a first end view of the design of FIG. 1;  
FIG. 5 is a second end view of the design of FIG. 1.  
FIG. 6 is a top view of the design of FIG. 1; and,  
FIG. 7 is a bottom view of the design of FIG. 1.

**1 Claim, 6 Drawing Sheets**



(56)

**References Cited**

U.S. PATENT DOCUMENTS

6,274,813	B1 *	8/2001	Houte .....	B60R 16/0215 174/68.3
D489,336	S *	5/2004	Kitamura .....	D13/153
6,825,418	B1	11/2004	Dollins et al.	
D506,444	S *	6/2005	Nakamura .....	D13/153
6,906,264	B1	6/2005	Grant, Jr. et al.	
6,998,538	B1	2/2006	Fetterolf, Sr. et al.	
7,205,480	B2	4/2007	Fetterolf, Sr. et al.	
7,420,120	B2	9/2008	Vertente et al.	
7,465,878	B2	12/2008	Dollins et al.	
D588,997	S *	3/2009	Hunt, Sr. ....	D13/153
8,088,997	B2	1/2012	Picard et al.	
8,278,554	B2	10/2012	Dollins et al.	
D729,176	S *	5/2015	Herring .....	D13/155
D729,177	S *	5/2015	Baldwin .....	D13/155
D760,667	S *	7/2016	Grote .....	D13/153
9,576,702	B2	2/2017	Wobick et al.	
10,431,353	B2	10/2019	Straniero et al.	
2013/0056105	A1	3/2013	Graham et al.	
2014/0238718	A1	8/2014	Tanner	

\* cited by examiner

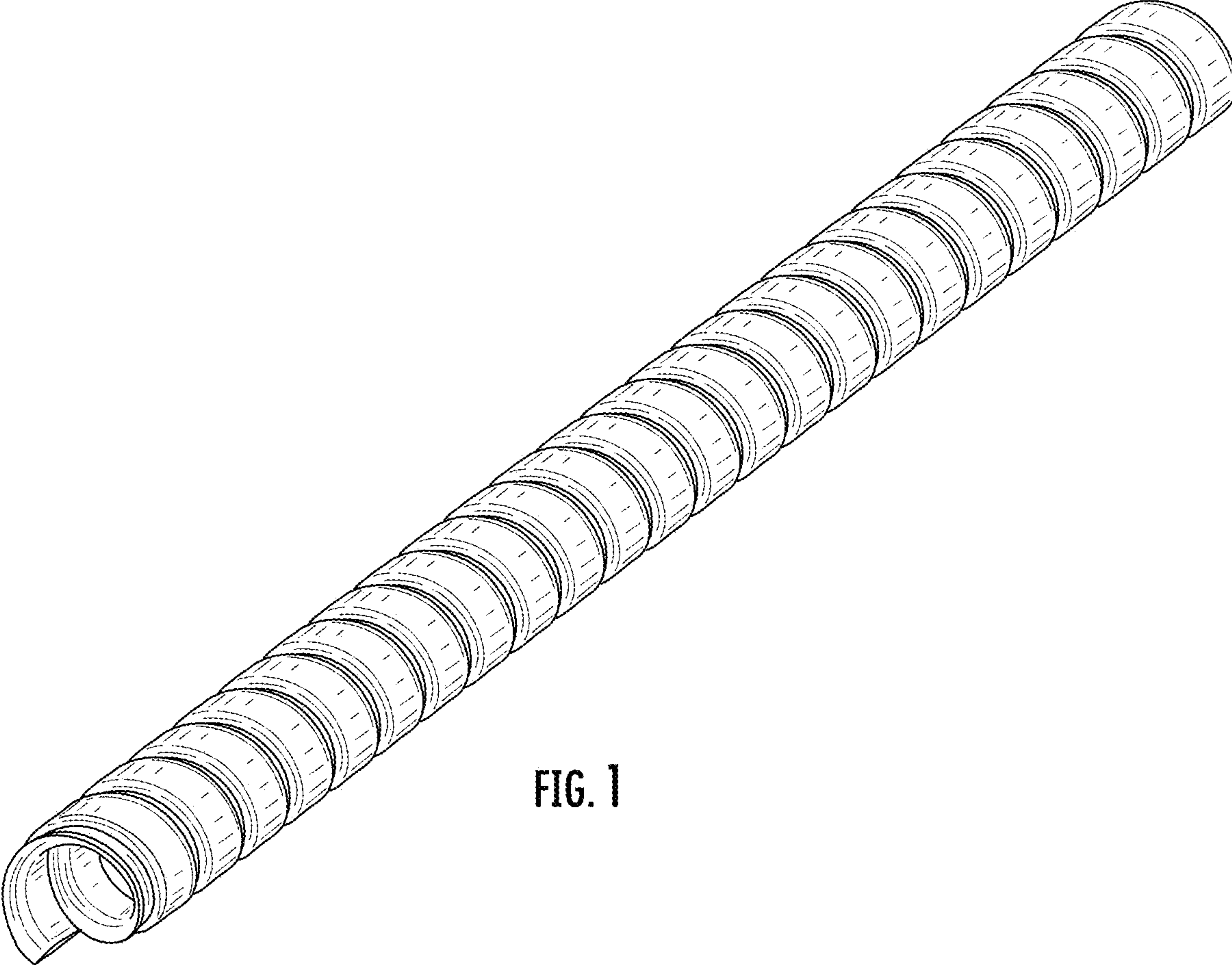


FIG. 1

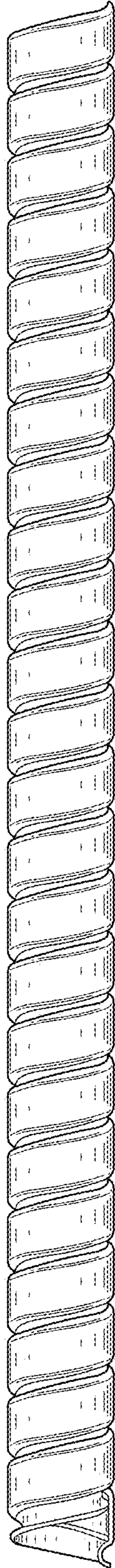


FIG. 2



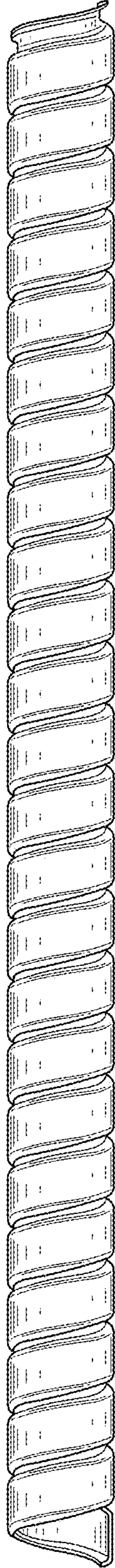


FIG. 3

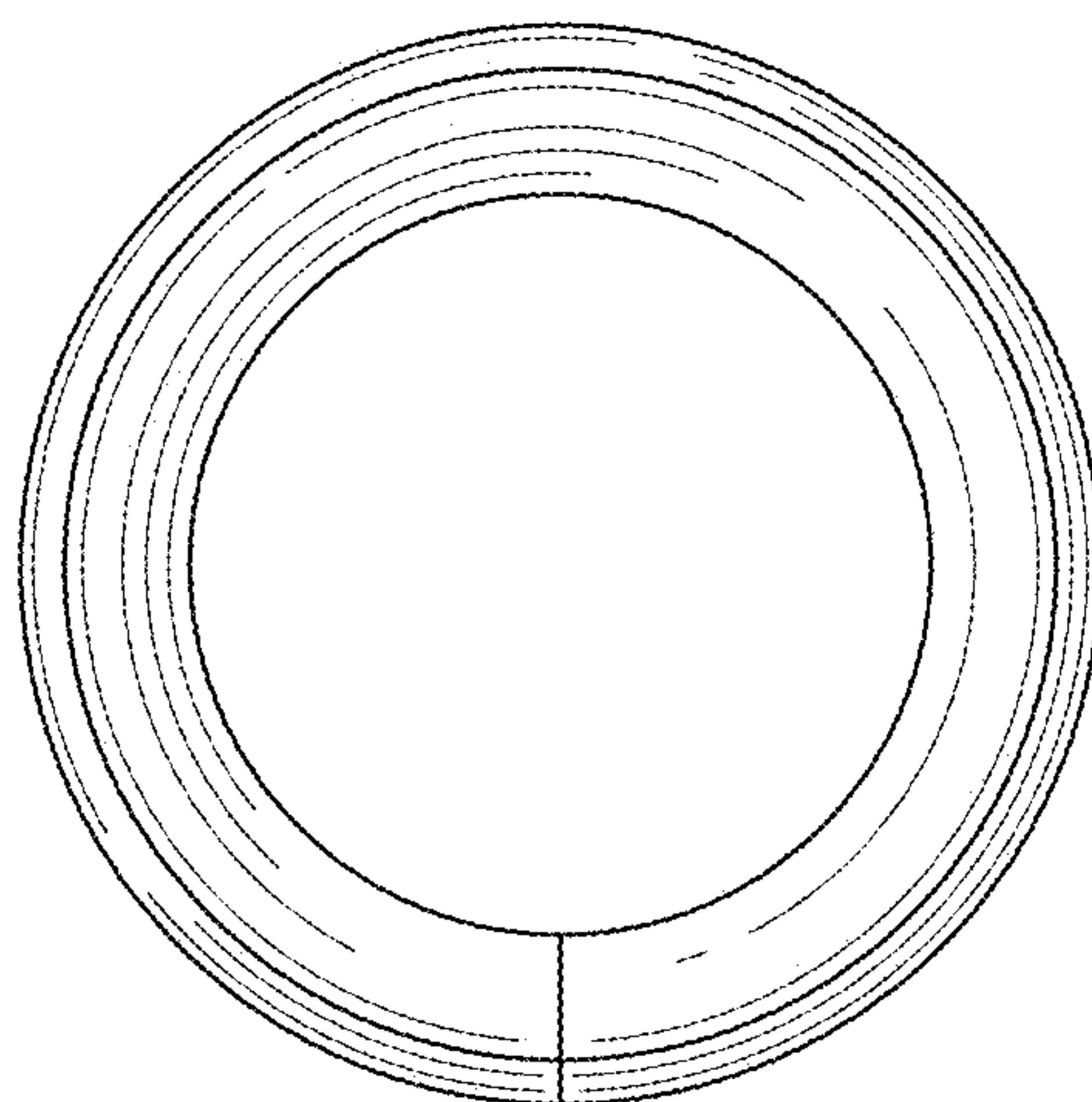


FIG. 4

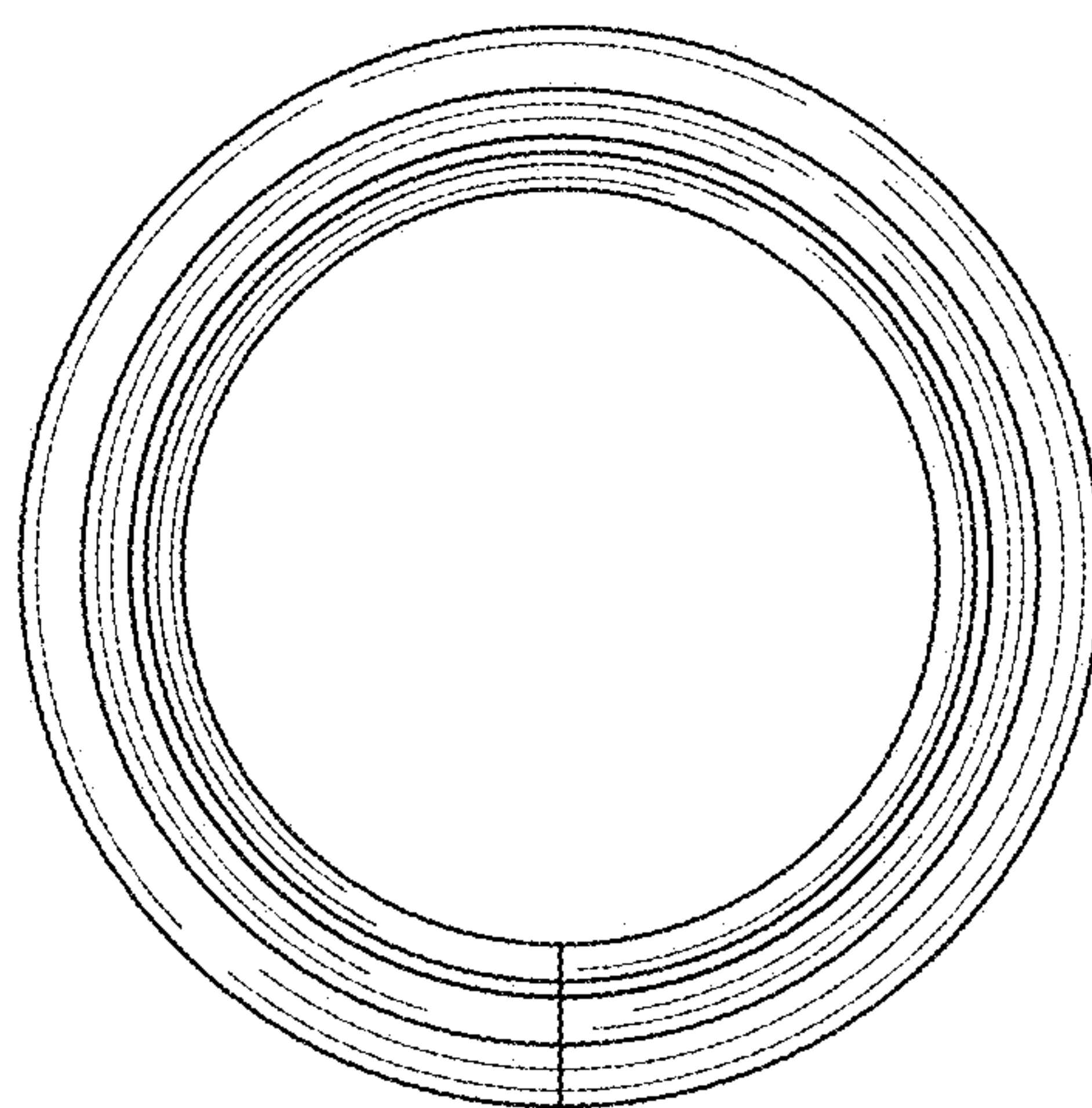


FIG. 5

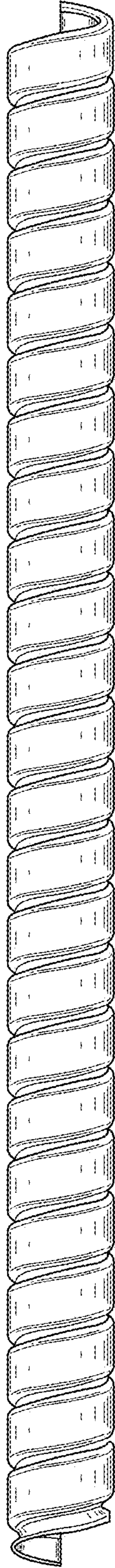


FIG. 6

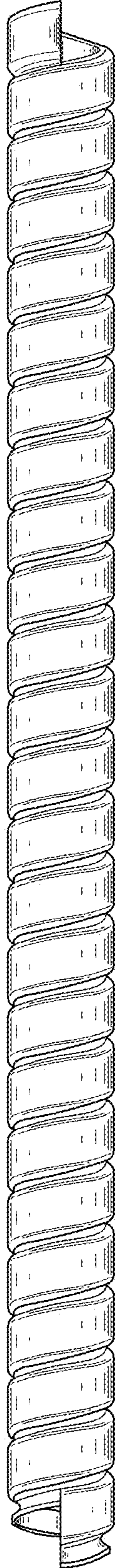


FIG. 7