



US00D935728S

(12) **United States Design Patent**
Rietveld

(10) **Patent No.:** **US D935,728 S**

(45) **Date of Patent:** **** Nov. 9, 2021**

- (54) **MINI URN**
- (71) Applicant: **Hakari BV**, Dongen (NL)
- (72) Inventor: **Harm Rietveld**, Dongen (NL)
- (73) Assignee: **Hakari BV**, Dongen (NL)
- (**) Term: **15 Years**
- (21) Appl. No.: **29/720,188**
- (22) Filed: **Jan. 10, 2020**
- (51) **LOC (13) Cl.** **99-00**
- (52) **U.S. Cl.**
USPC **D99/5**
- (58) **Field of Classification Search**
USPC D99/5, 8, 17, 19; 27/1; D19/85;
D26/20, 9, 96; D7/605, 607, 608, 624.1,
D7/624.2; D27/102, 172, 194, 183, 109,
D27/103; D11/145, 153, 131; D21/455,
D21/459; 431/126, 295; 215/393, 241,
215/13.1; 220/592.01; D8/375, 386,
D8/382; 446/46, 589
CPC A61G 17/00; A61G 17/08; B65D 65/00;
B65D 25/10; B65D 25/54; A01G 25/00;
A47J 39/00
See application file for complete search history.

(56) **References Cited**

U.S. PATENT DOCUMENTS

- 1,342,786 A * 6/1920 White A01G 27/04
47/81
- 1,383,838 A * 7/1921 Mrazek A47G 19/24
222/78
- 1,771,186 A * 7/1930 Mock A47G 19/2288
62/457.3
- 1,925,241 A * 9/1933 Fullerton A47G 23/03
215/393
- 2,035,384 A * 3/1936 Hinchliff D04B 1/18
66/170
- D119,982 S * 4/1940 Munz D11/145

- 2,361,029 A * 10/1944 Heidl A01G 9/02
47/69
- 2,467,043 A * 4/1949 Kotler A63B 67/14
473/588
- 2,591,374 A * 4/1952 Place B65D 23/06
215/371
- 2,622,415 A * 12/1952 Smith F25D 3/08
62/457.3
- 2,704,211 A * 3/1955 Decepoli B44C 1/26
473/588
- 2,745,642 A * 5/1956 Hermann A47J 43/24
366/130

(Continued)

FOREIGN PATENT DOCUMENTS

KR 300784213.0000 * 2/2015

Primary Examiner — Paula Allen Greene

(74) *Attorney, Agent, or Firm* — Ellenoff Grossman & Schole LLP; James M. Smedley; Alex Korona

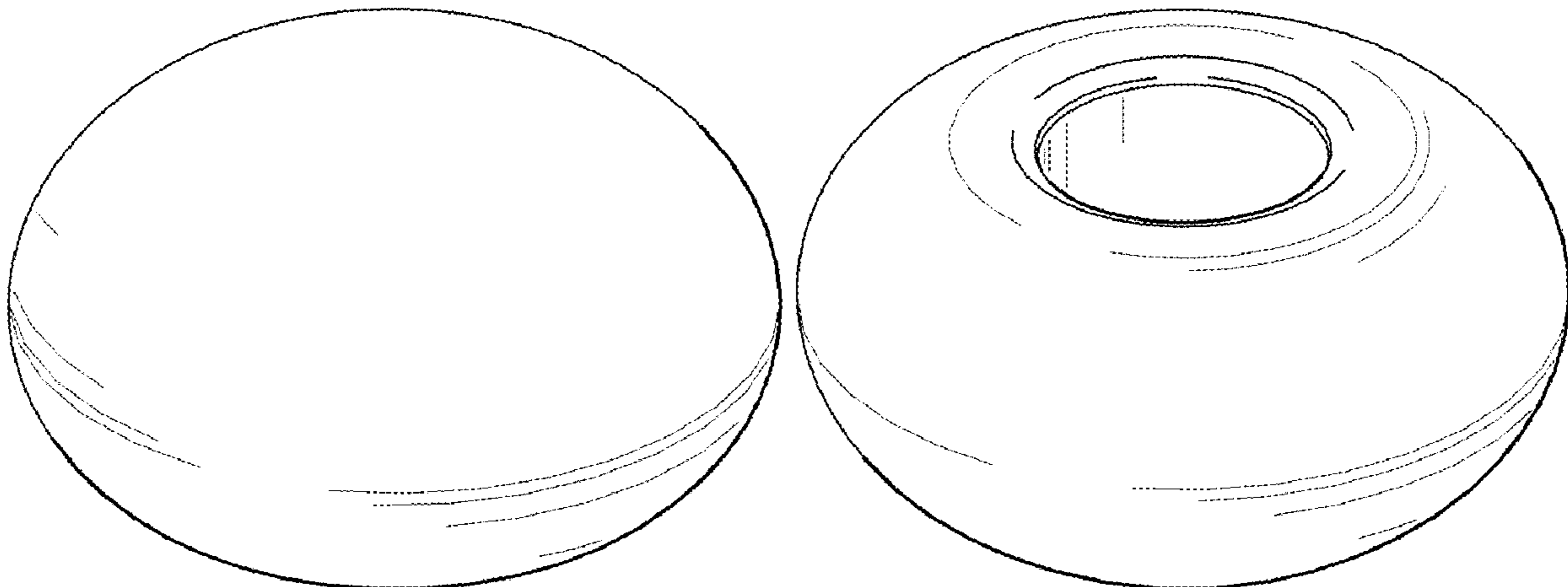
(57) **CLAIM**

I claim the ornamental design for a mini urn, as shown and described.

DESCRIPTION

FIG. 1 is a top perspective view showing the new design. FIG. 2 is a bottom perspective view showing the new design. FIG. 3 is a top plan view showing the new design. FIG. 4 is bottom plan view showing the new design. FIG. 5 is a front plan view showing the new design, which is a mirror image of the rear, left, and right side plan views showing the new design; and, FIG. 6 is a cross-sectional view showing the new design as taken along line 6-6 of FIG. 5. The shading lines shown in the drawings represent the approximate three-dimensional contour of the design, and are not intended to indicate surface decoration.

1 Claim, 2 Drawing Sheets



(56)

References Cited

U.S. PATENT DOCUMENTS

2,802,305 A * 8/1957 MacNaughton A01G 27/06
47/81
2,885,825 A * 5/1959 Longacre A01G 27/02
47/79
2,994,985 A * 8/1961 Jackson, Jr. A47G 7/06
47/41.11
3,006,824 A * 10/1961 Story C25C 1/02
205/558
3,269,144 A * 8/1966 Poris F25D 3/00
62/457.3
3,311,248 A * 3/1967 Marchant A45D 40/0068
215/13.1
3,359,678 A * 12/1967 Headrick A63H 33/18
446/46
3,394,562 A * 7/1968 Coleman F25D 3/00
62/457.3
3,410,634 A * 11/1968 Buckner G02B 27/025
359/804
3,544,113 A * 12/1970 Hand A63H 33/18
473/588
3,673,731 A * 7/1972 Farhi A63H 33/18
446/46
3,732,602 A * 5/1973 Vigh A61G 17/0136
27/1
3,753,315 A * 8/1973 Adam A01G 27/06
47/79
3,781,164 A * 12/1973 McCaffery F21V 35/00
431/291
3,962,824 A * 6/1976 Poston A01G 27/04
47/81
D254,127 S * 2/1980 Sgroi 47/71
D260,134 S * 8/1981 Bercu D11/153
D266,486 S * 10/1982 Lutz D23/202
4,356,660 A * 11/1982 O'Brien A63B 67/086
446/256
D269,638 S * 7/1983 Frye, Jr. D26/9
D276,118 S * 10/1984 Conti D7/392.1
4,525,950 A * 7/1985 Glassman A47G 7/06
428/13
4,568,297 A * 2/1986 Dunipace A63H 33/18
446/46
4,681,553 A * 7/1987 Rodarte A63H 33/18
446/46
D299,277 S * 1/1989 Bussell D28/8.2
4,858,381 A * 8/1989 Walton A01G 27/04
47/79
4,940,441 A * 7/1990 Novinsky A63H 33/18
446/46
4,941,590 A * 7/1990 Pantaleo A47G 19/2227
206/217

5,036,998 A * 8/1991 Dunn A47G 19/30
220/23.87
D333,265 S * 2/1993 Lindsey D7/619.1
5,353,546 A * 10/1994 Bock A47G 7/06
239/51.5
D356,523 S * 3/1995 Rahr D11/143
5,395,011 A * 3/1995 Kennedy B67D 3/00
221/150 R
5,491,929 A * 2/1996 Peacock A01G 27/04
47/41.01
5,553,733 A * 9/1996 Rosenthal A47G 29/06
150/154
5,697,694 A * 12/1997 Cutts C11C 5/008
362/161
5,704,162 A * 1/1998 Holtkamp, Jr. A61L 9/048
47/79
D400,398 S * 11/1998 McNaughton D7/513
D407,995 S * 4/1999 Gallegos D11/164
6,435,694 B1 * 8/2002 Bell C11C 5/008
362/161
6,474,980 B2 * 11/2002 LaVanier F21S 13/12
431/126
6,716,026 B1 * 4/2004 Beougher F21V 35/00
431/290
6,962,264 B2 * 11/2005 Zilberman A47G 19/2227
220/662
6,973,747 B2 * 12/2005 Ratmansky G09F 3/18
40/27.5
D524,282 S * 7/2006 Beasley D13/108
D537,753 S * 3/2007 Belokin D11/145
D572,084 S * 7/2008 Blake D7/509
D601,861 S * 10/2009 Richardson D7/624.1
D613,996 S * 4/2010 Ross D7/523
D616,602 S * 5/2010 Leeds D27/102
D620,757 S * 8/2010 Ahlm D7/523
D621,124 S * 8/2010 Biegel D99/5
D630,124 S * 1/2011 Connell D11/152
D631,700 S * 2/2011 Flick D7/523
D675,955 S * 2/2013 De Togni D11/131
D699,149 S * 2/2014 Wolff D11/153
9,062,835 B2 * 6/2015 White F21V 35/00
D742,563 S * 11/2015 Kasha A47G 7/06
D26/9
D749,504 S * 2/2016 Jeong D13/108
D759,338 S * 6/2016 Reynolds A61G 17/08
D99/5
D782,973 S * 4/2017 Zhou D13/108
D794,557 S * 8/2017 Kim D13/108
D795,183 S * 8/2017 Akana D13/108
D846,358 S * 4/2019 Winter D7/624.2
2008/0254398 A1 * 10/2008 Chadha F23D 3/16
431/291
2013/0020334 A1 * 1/2013 Chiou B65D 25/24
220/636

* cited by examiner

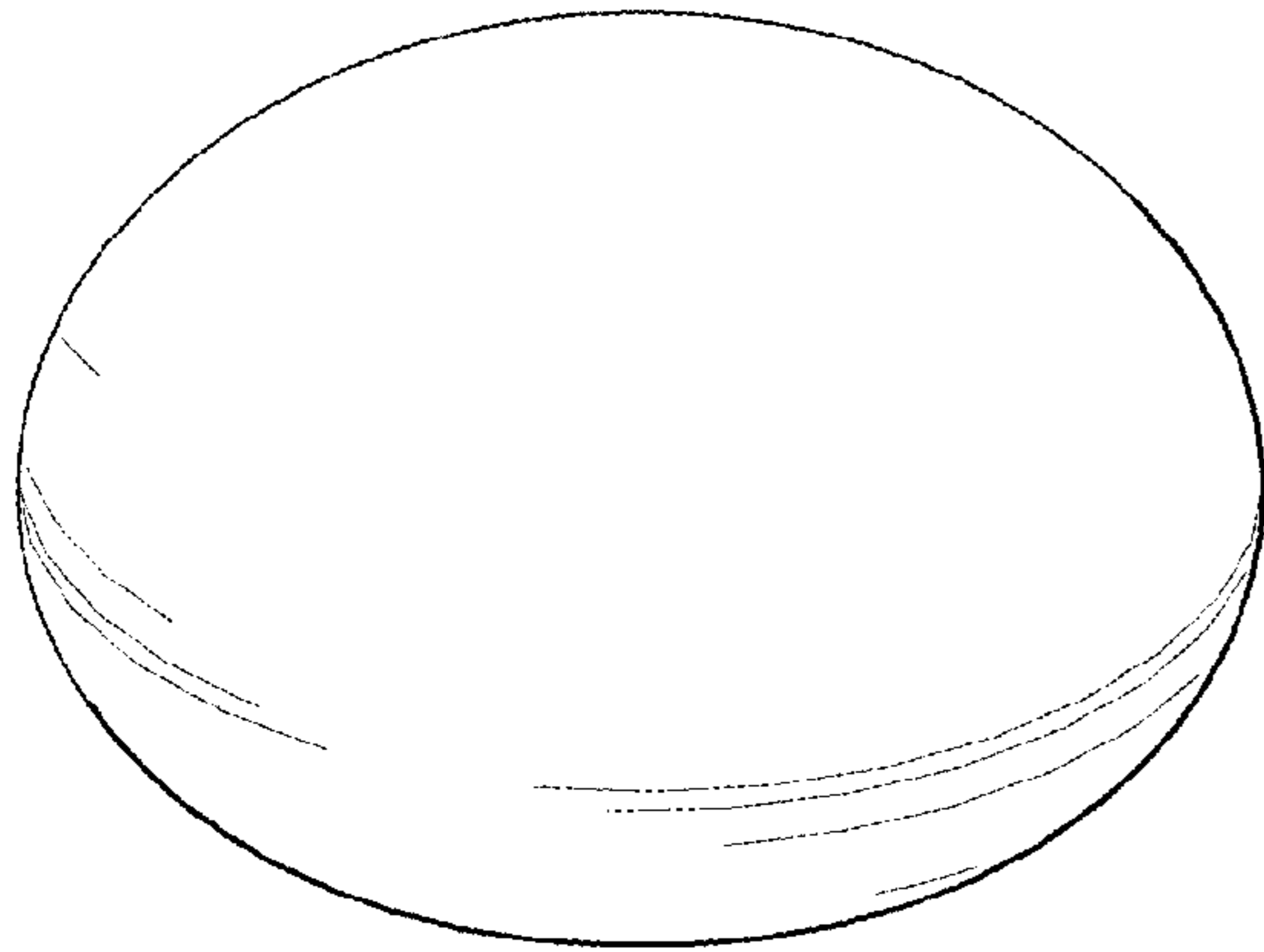


FIG. 1

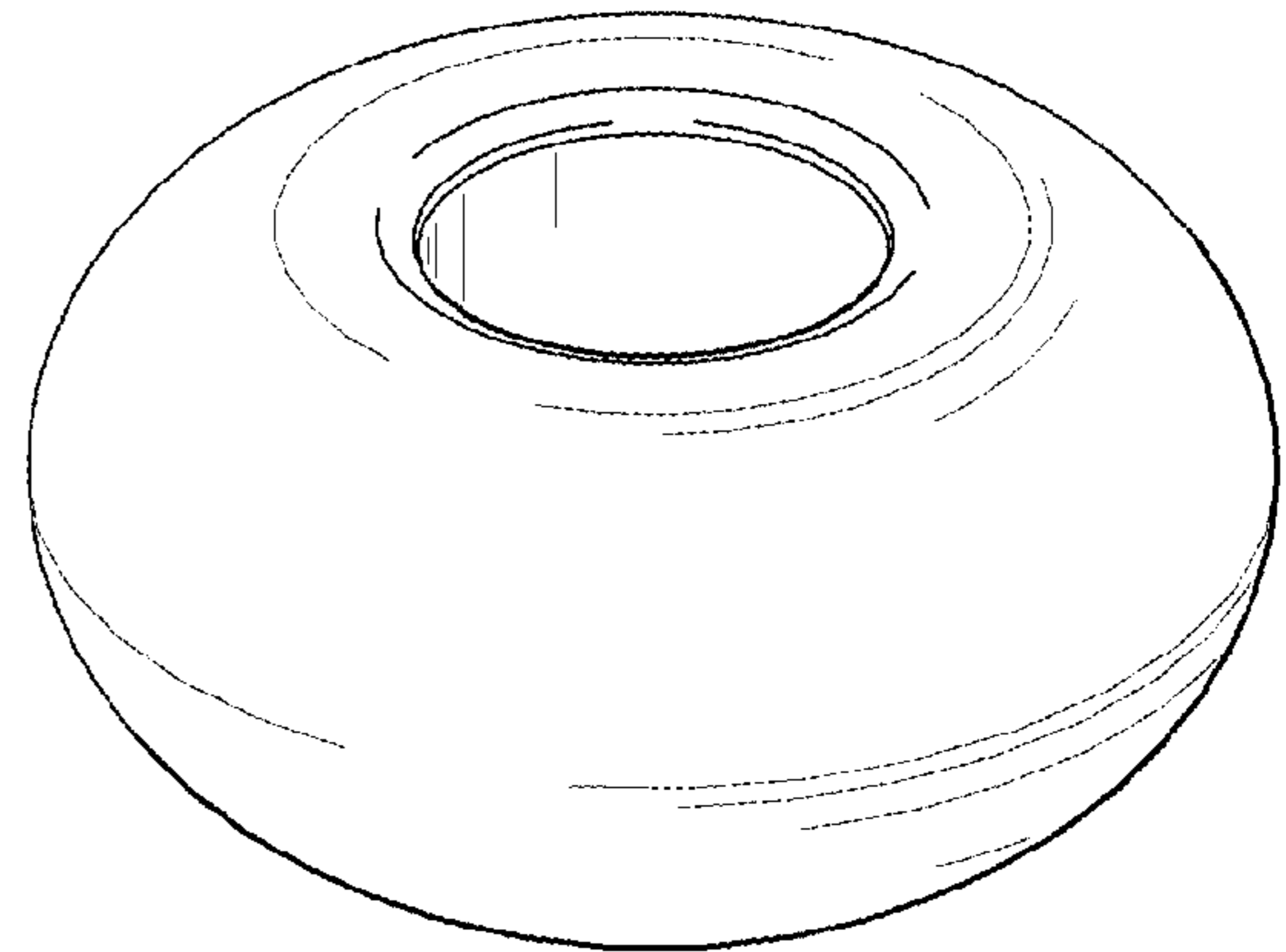


FIG. 2

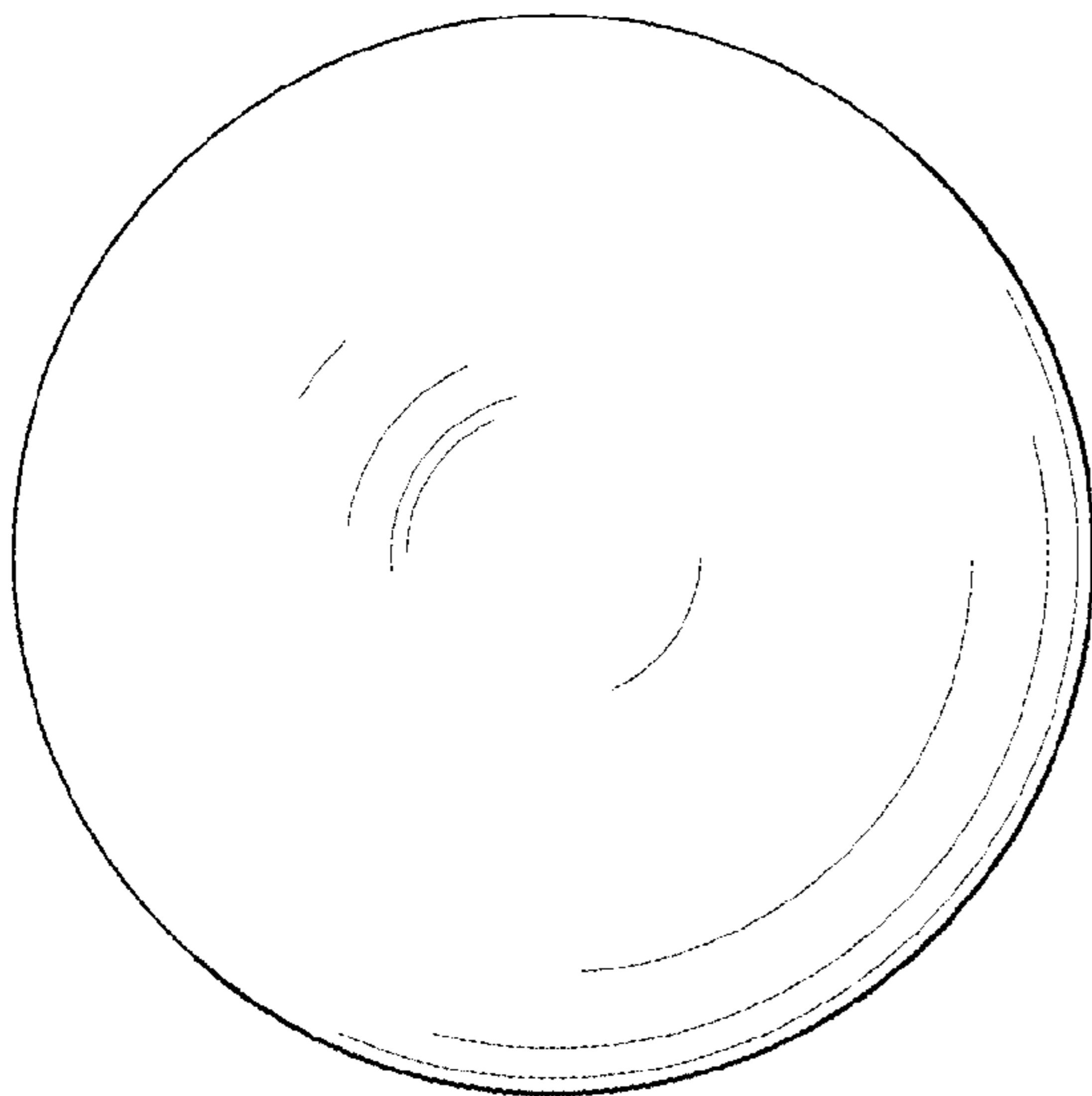


FIG. 3

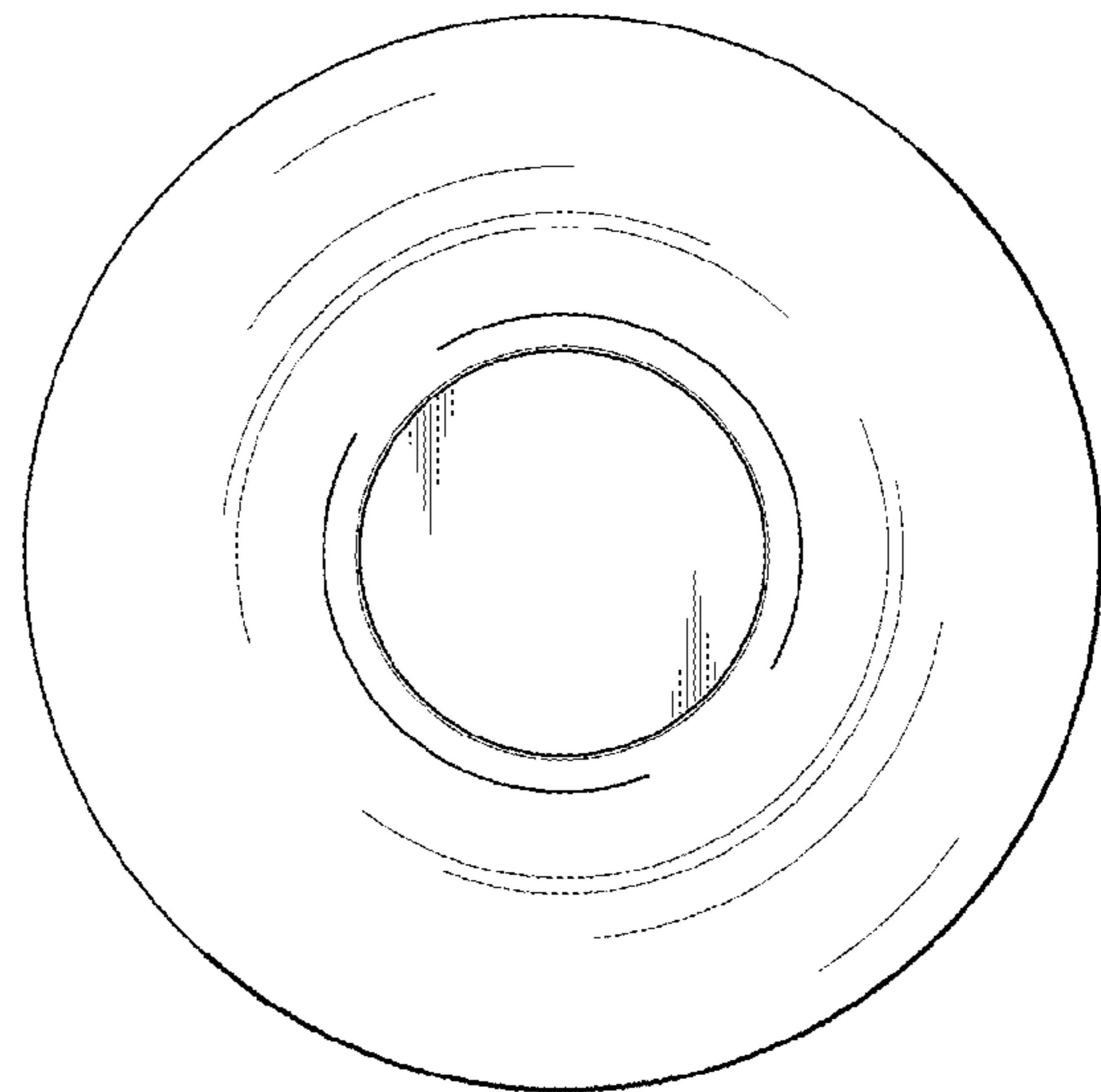


FIG. 4

