



US00D935725S

(12) **United States Design Patent** (10) **Patent No.:** **US D935,725 S**
Fitzgerald et al. (45) **Date of Patent:** **** Nov. 9, 2021**

(54) **TRASH RECEPTACLE WITH LID ASSEMBLY**
(71) Applicant: **Valet Living, LLC**, Tampa, FL (US)
(72) Inventors: **Thomas M. Fitzgerald**, Naples, FL (US); **David D. McClanahan**, Harleysville, PA (US); **Kelly Veatch**, Mt. Pleasant, SC (US)
(73) Assignee: **Valet Living, LLC**, Tampa, FL (US)
(**) Term: **15 Years**
(21) Appl. No.: **29/737,581**
(22) Filed: **Jun. 10, 2020**
(51) **LOC (13) Cl.** **09-09**
(52) **U.S. Cl.**
USPC **D34/7**
(58) **Field of Classification Search**
USPC D34/1, 7, 8, 9, 10, 11
CPC B65F 1/163; B65F 1/16; B65F 2250/116; B65F 2250/12; B65F 1/00; B65F 1/1638; B65F 1/0033; B65F 1/122; B65F 2001/1669
See application file for complete search history.

(56) **References Cited**
U.S. PATENT DOCUMENTS
D250,744 S * 1/1979 Morin D34/5
D355,740 S * 2/1995 Kirchner D34/1
D362,932 S * 10/1995 Brightbill D32/37
D488,902 S * 4/2004 Yang D34/8
D580,613 S * 11/2008 Yang D34/7
D675,802 S * 2/2013 Yang D34/7
D725,860 S * 3/2015 Spivey D34/7
D762,037 S * 7/2016 Chen D34/7
D790,145 S * 6/2017 Chen D34/7
D792,673 S * 7/2017 Lloyd D34/7
D796,766 S * 9/2017 Chen D34/7
D809,729 S * 2/2018 Chen D34/7

D836,278 S * 12/2018 Berberet B08B 9/08 D34/7
D855,919 S * 8/2019 Yang D34/7
D860,570 S * 9/2019 Chen D34/7
D871,012 S * 12/2019 Chen D34/7
D872,959 S * 1/2020 Chen D34/7
D872,960 S * 1/2020 Chen D34/7
D877,441 S * 3/2020 Zhou D34/9
D903,217 S * 11/2020 Smeets D34/7
D905,367 S * 12/2020 Smeets D34/9
D909,002 S * 1/2021 Chang D34/9
D915,021 S * 3/2021 Massar D34/7
D922,718 S * 6/2021 Wang D34/11
2009/0230131 A1 * 9/2009 McDuffie B65F 1/163 220/495.06
2011/0049149 A1 * 3/2011 Shih B65F 1/1607 220/260
2011/0220648 A1 * 9/2011 Yang B65F 1/1638 220/211

(Continued)

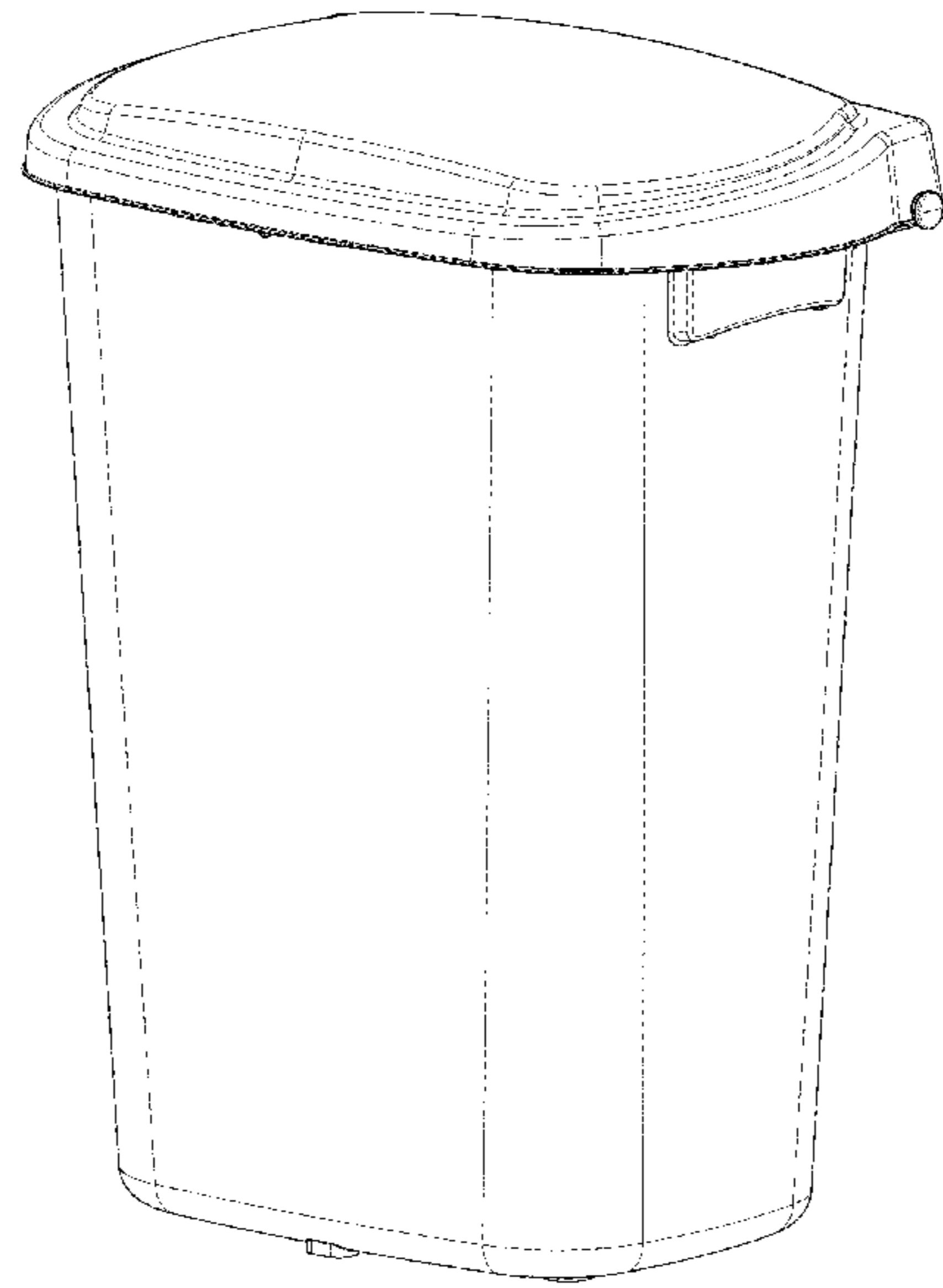
Primary Examiner — Cynthia Ramirez
(74) *Attorney, Agent, or Firm* — Stanton IP Law Firm, P.A.

(57) **CLAIM**
The ornamental design for a trash receptacle with lid assembly, as shown and described.

DESCRIPTION

FIG. 1 is a top, right perspective view for a trash receptacle with lid assembly showing our new design;
FIG. 2 is a top plan view thereof;
FIG. 3 is a bottom plan view thereof;
FIG. 4 is a right-side view thereof;
FIG. 5 is a left-side view thereof;
FIG. 6 is a front elevational view thereof; and,
FIG. 7 is a rear elevational view thereof.
The broken lines in the figures show portions of the trash receptacle with lid assembly that form no part of the claimed design.

1 Claim, 6 Drawing Sheets



(56)

References Cited

U.S. PATENT DOCUMENTS

2013/0277365 A1* 10/2013 Kaufman B65F 1/1623
220/8
2013/0298506 A1* 11/2013 Lucas B65B 1/02
53/452
2015/0251849 A1* 9/2015 Yang B65F 1/062
220/661
2016/0052711 A1* 2/2016 Fitzgerald B65F 1/06
220/495.08
2018/0079592 A1* 3/2018 Wang B65F 1/1646
2018/0305120 A1* 10/2018 Yang B65F 1/163
2019/0329977 A1* 10/2019 Sofy B65F 1/06
2020/0207544 A1* 7/2020 Pestl E05F 15/73
2020/0391939 A1* 12/2020 Wang A61L 2/24
2020/0391940 A1* 12/2020 Wang B65F 1/02
2021/0061559 A1* 3/2021 Fitzgerald B65F 1/1623

* cited by examiner

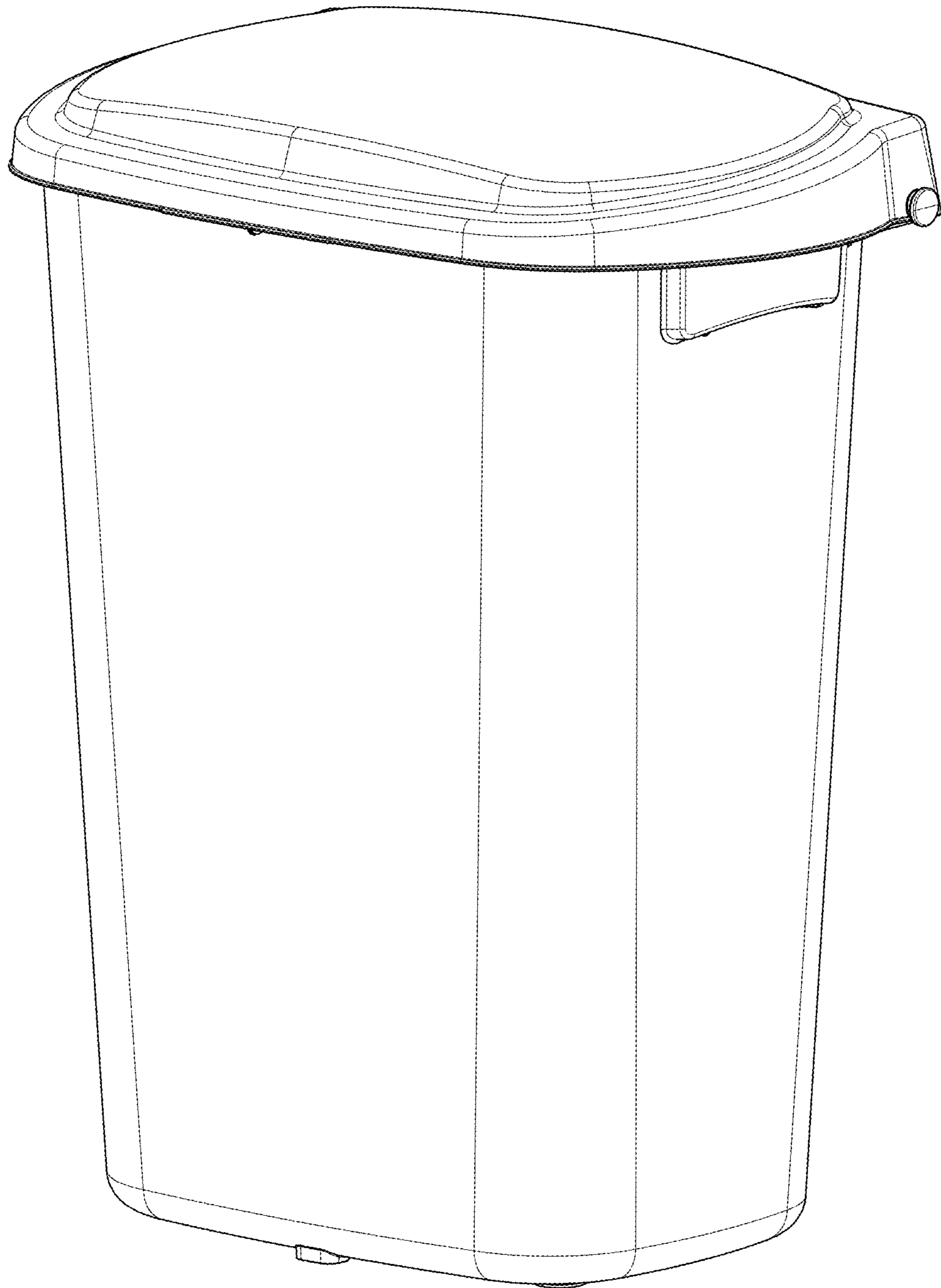


FIG. 1

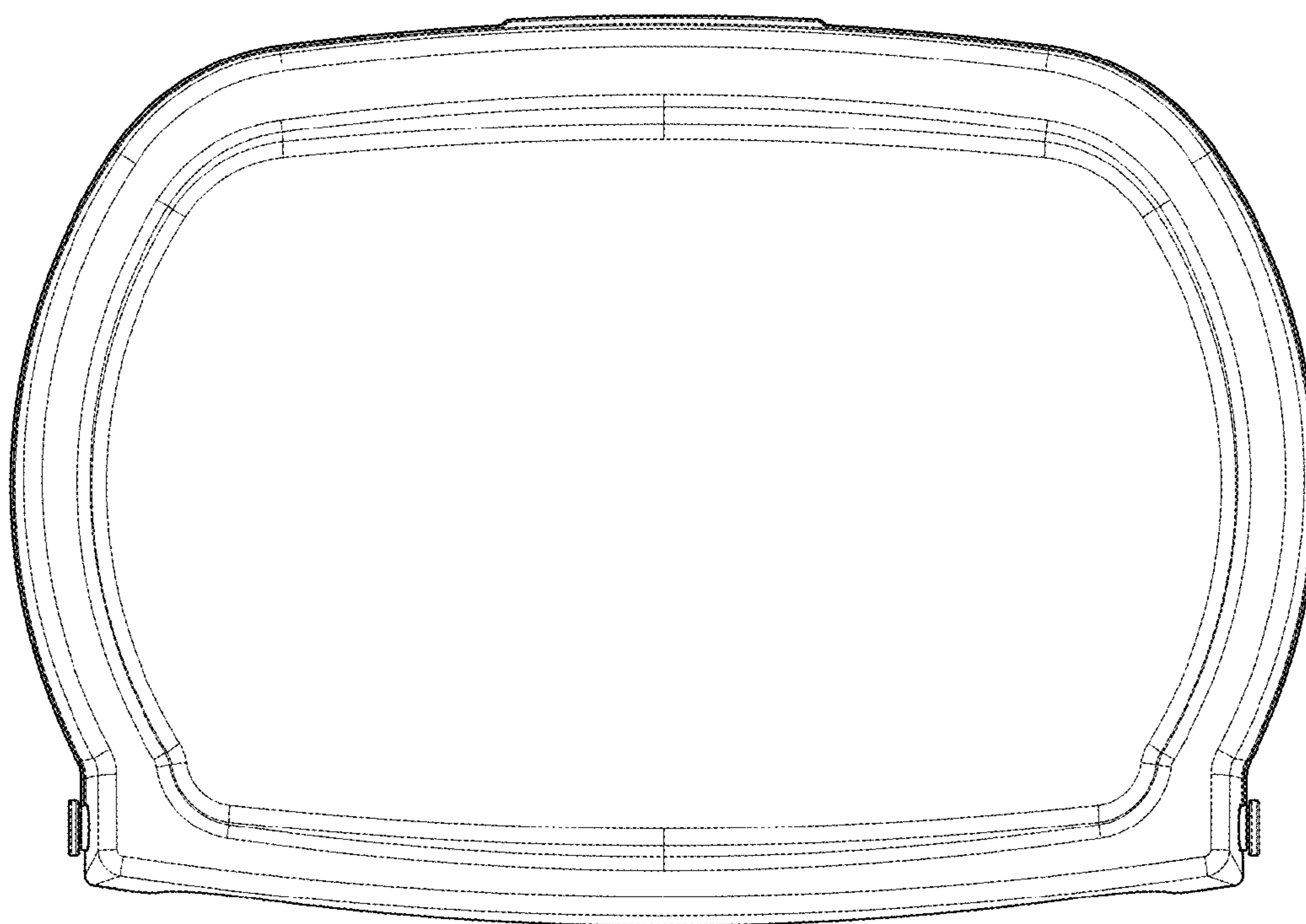


FIG. 2

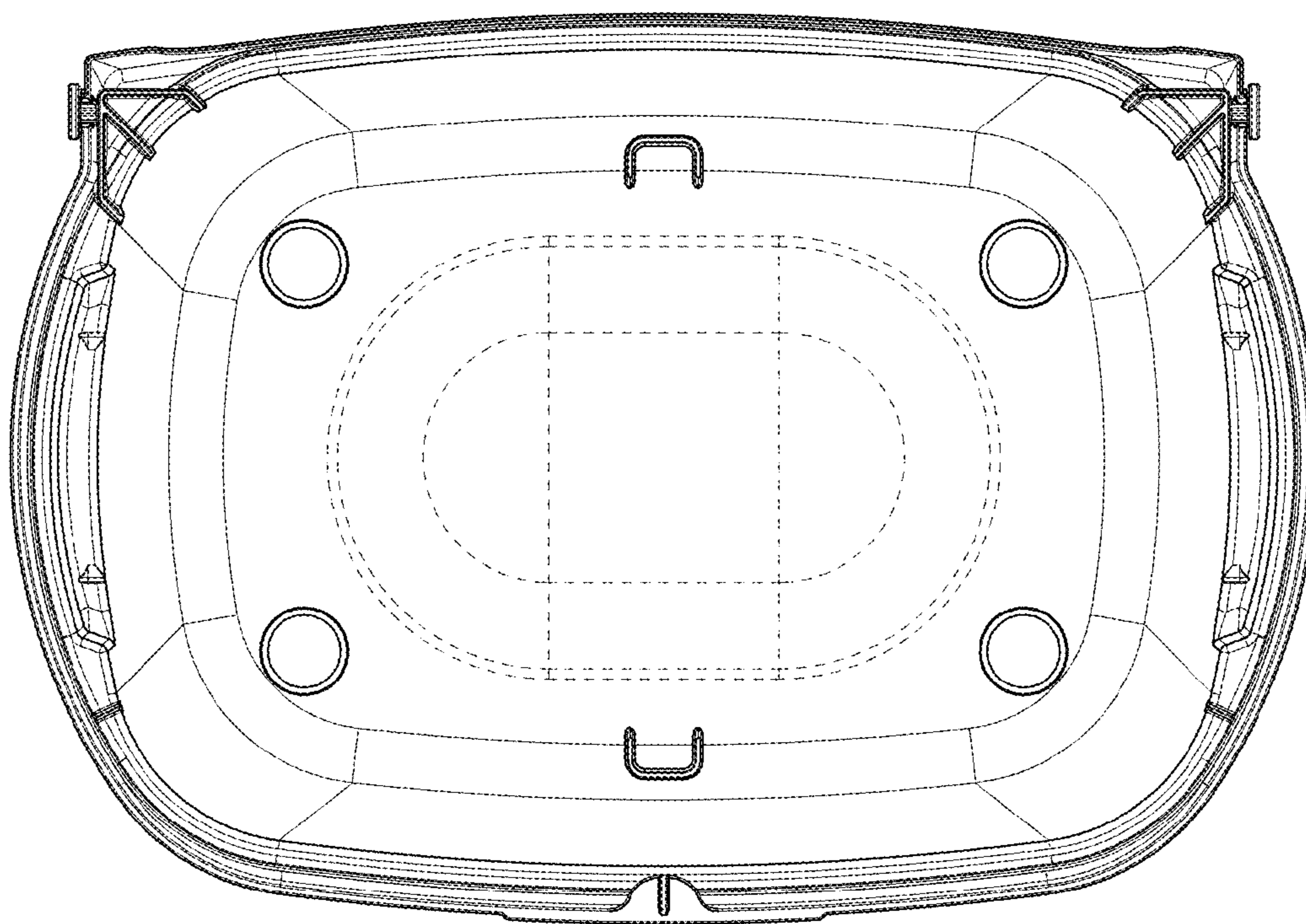


FIG. 3

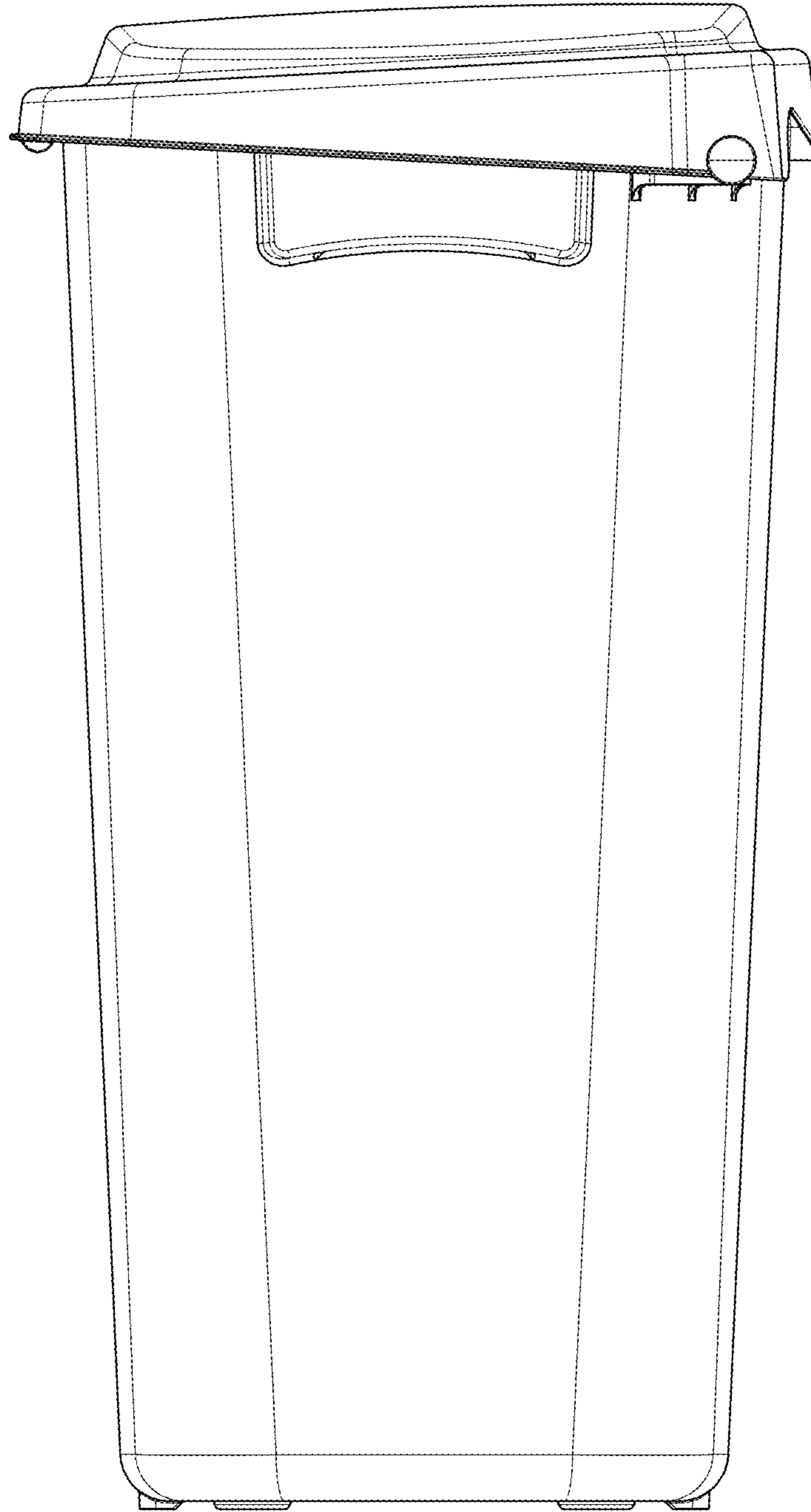


FIG.4

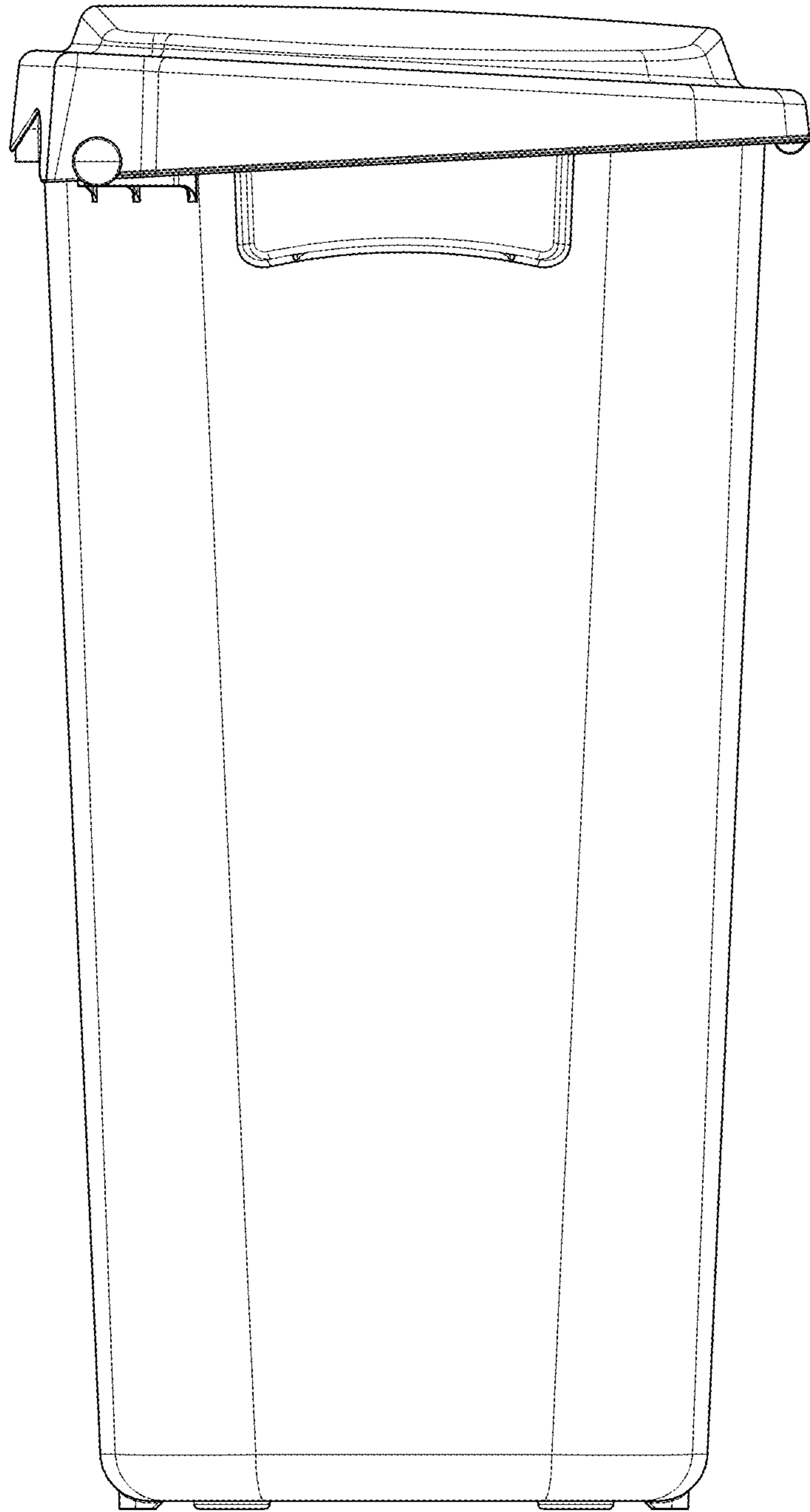


FIG. 5

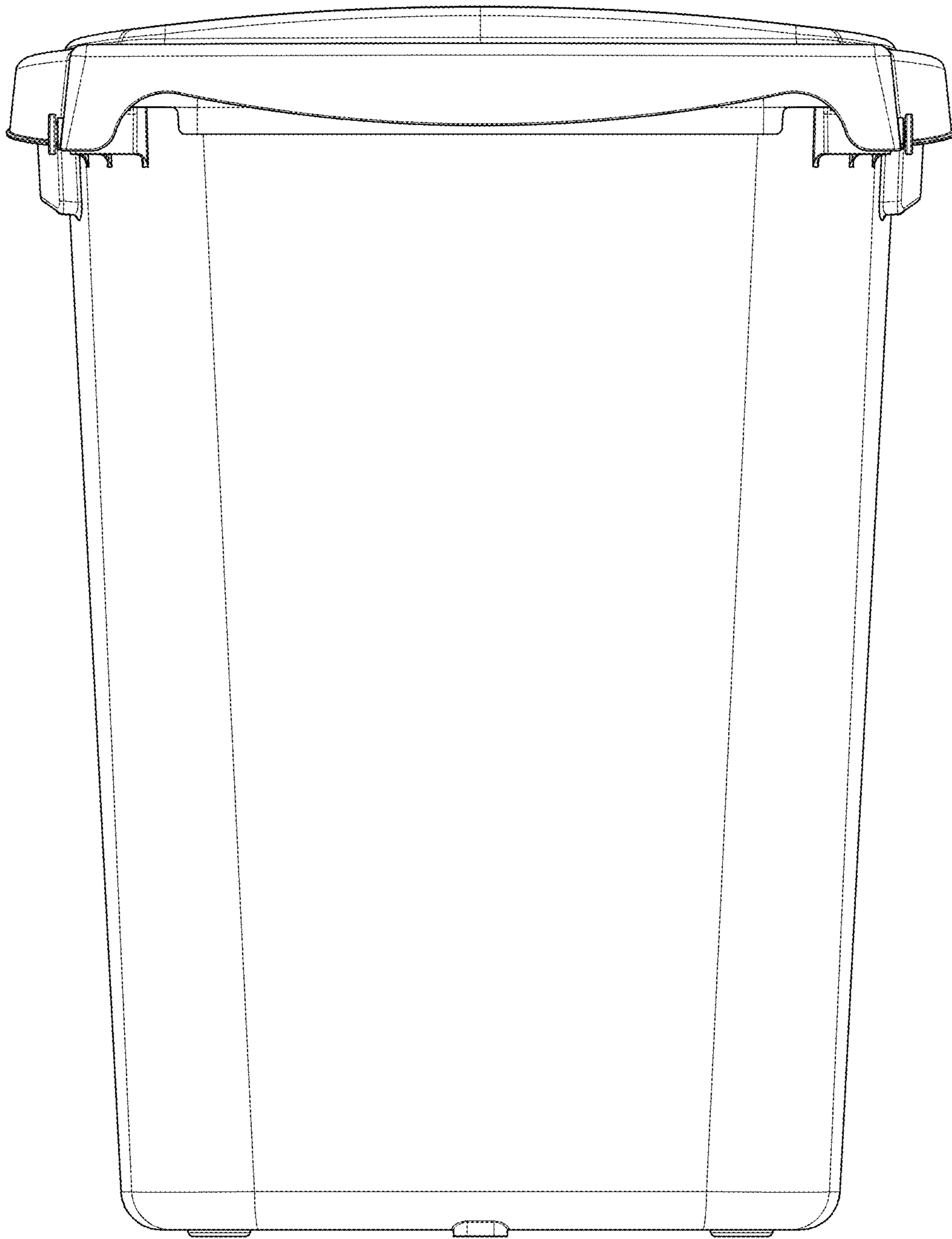


FIG. 6

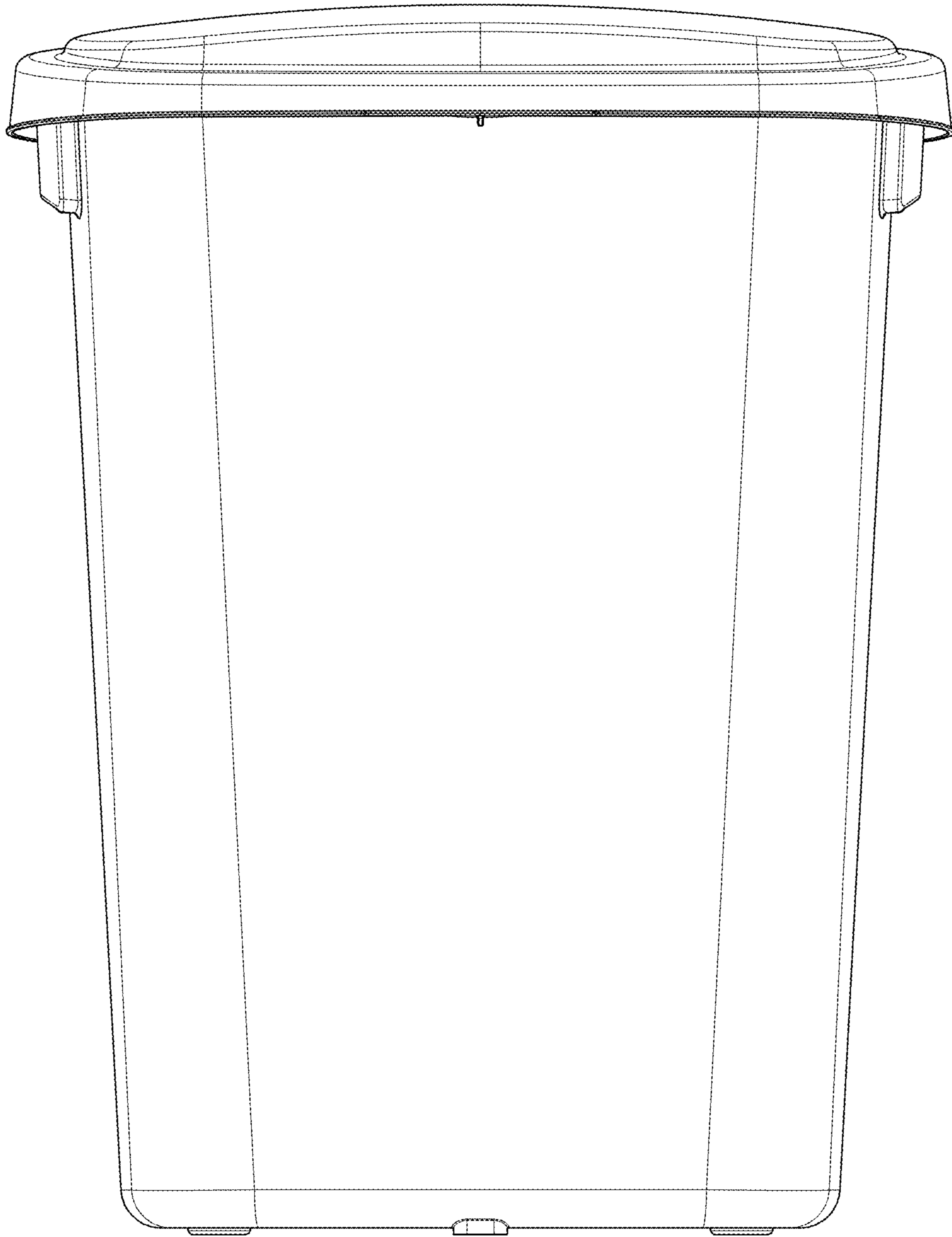


FIG. 7