



US00D935724S

(12) **United States Design Patent** (10) **Patent No.:** **US D935,724 S**  
**Fitzgerald et al.** (45) **Date of Patent:** **\*\* Nov. 9, 2021**

- (54) **TRASH RECEPTACLE WITH LID ASSEMBLY**
- (71) Applicant: **Valet Living, LLC**, Tampa, FL (US)
- (72) Inventors: **Thomas M. Fitzgerald**, Naples, FL (US); **David D. McClanahan**, Harleysville, PA (US); **Kelly Veatch**, Mt. Pleasant, SC (US)
- (73) Assignee: **Valet Living, LLC**, Tampa, FL (US)
- (\*\*) Term: **15 Years**
- (21) Appl. No.: **29/737,576**
- (22) Filed: **Jun. 10, 2020**
- (51) **LOC (13) Cl.** ..... **09-09**
- (52) **U.S. Cl.**  
USPC ..... **D34/7**
- (58) **Field of Classification Search**  
USPC ..... D34/1, 7, 8, 9, 10, 11  
CPC ..... B65F 1/163; B65F 1/16; B65F 2250/116;  
B65F 2250/12; B65F 1/00; B65F 1/1638;  
B65F 1/0033; B65F 1/122; B65F  
2001/1669  
See application file for complete search history.

(56) **References Cited**

U.S. PATENT DOCUMENTS

D250,744 S *	1/1979	Morin	.....	D34/5
D355,740 S *	2/1995	Kirchner	.....	D34/1
D362,932 S *	10/1995	Brightbill	.....	D32/37
D488,902 S *	4/2004	Yang	.....	D34/8
D580,613 S *	11/2008	Yang	.....	D34/7
D675,802 S *	2/2013	Yang	.....	D34/7
D725,860 S *	3/2015	Spivey	.....	D34/7
D762,037 S *	7/2016	Chen	.....	D34/7
D790,145 S *	6/2017	Chen	.....	D34/7
D792,673 S *	7/2017	Lloyd	.....	D34/7
D796,766 S *	9/2017	Chen	.....	D34/7

D809,729 S *	2/2018	Chen	.....	D34/7
D836,278 S *	12/2018	Berberet	.....	B08B 9/08 D34/7
D855,919 S *	8/2019	Yang	.....	D34/7
D860,570 S *	9/2019	Chen	.....	D34/7
D871,012 S *	12/2019	Chen	.....	D34/7
D872,959 S *	1/2020	Chen	.....	D34/7
D872,960 S *	1/2020	Chen	.....	D34/7
D877,441 S *	3/2020	Zhou	.....	D34/9
D903,217 S *	11/2020	Smeets	.....	D34/7
D905,367 S *	12/2020	Smeets	.....	D34/9
D909,002 S *	1/2021	Chang	.....	D34/9
D915,021 S *	3/2021	Massar	.....	D34/7
D922,718 S *	6/2021	Wang	.....	D34/11
2009/0230131 A1 *	9/2009	McDuffie	.....	B65F 1/163 220/495.06
2011/0049149 A1 *	3/2011	Shih	.....	B65F 1/1607 220/260

(Continued)

*Primary Examiner* — Cynthia Ramirez

(74) *Attorney, Agent, or Firm* — Stanton IP Law Firm, P.A.

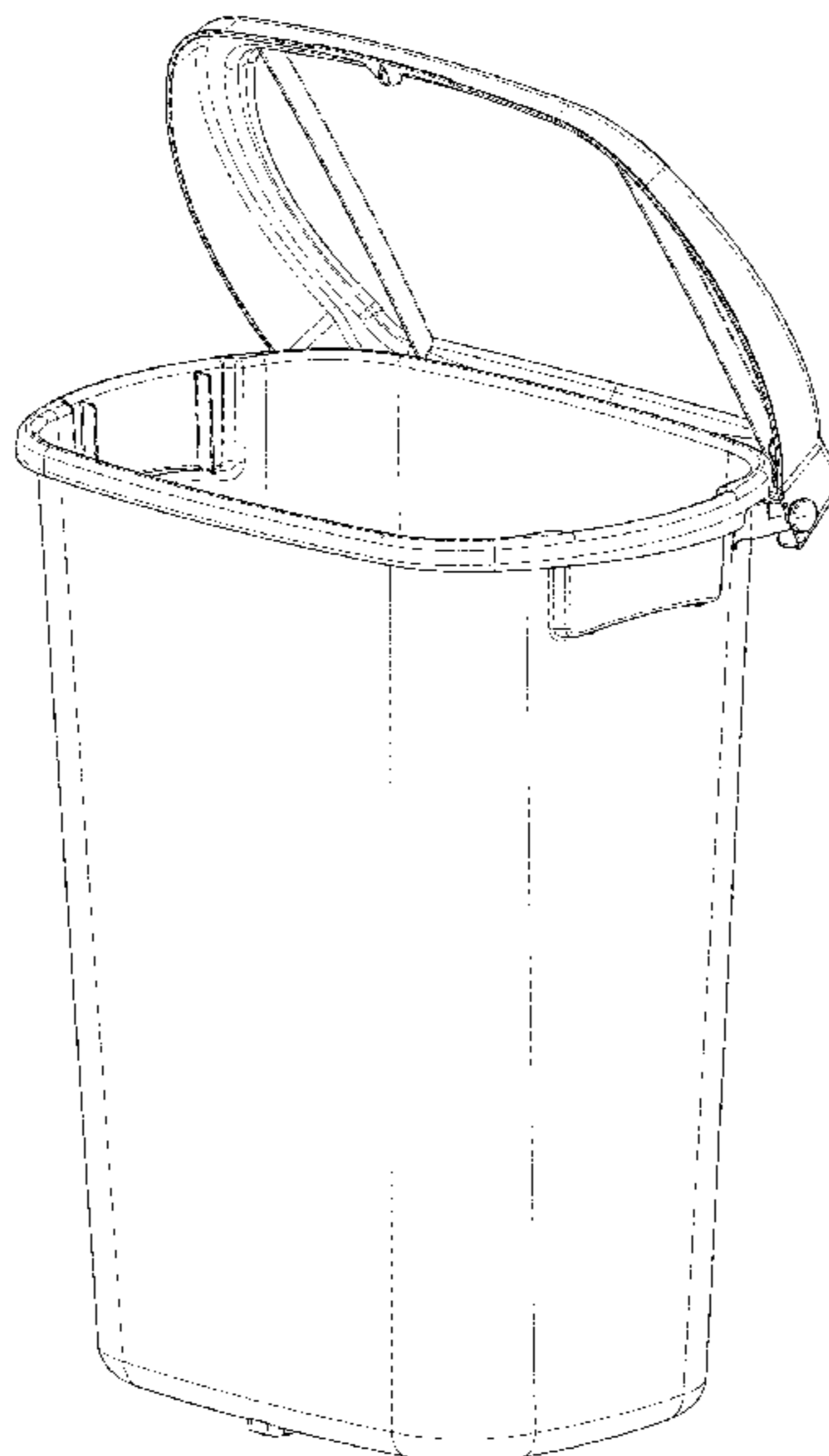
(57) **CLAIM**

The ornamental design for a trash receptacle with lid assembly, as shown and described.

**DESCRIPTION**

FIG. 1 is a perspective view as seen from the top and upper right of a first embodiment of a trash receptacle with lid assembly showing our new design;  
 FIG. 2 is a top plan view thereof;  
 FIG. 3 is a bottom plan view thereof;  
 FIG. 4 is a right-side view thereof;  
 FIG. 5 is a left-side view thereof;  
 FIG. 6 is a front elevational view thereof; and,  
 FIG. 7 is a rear elevational view thereof.  
 The broken lines in the figures show portions of the trash receptacle with lid assembly that form no part of the claimed design.

**1 Claim, 6 Drawing Sheets**



(56)

**References Cited**

U.S. PATENT DOCUMENTS

2011/0220648 A1\* 9/2011 Yang ..... B65F 1/1638  
220/211  
2013/0277365 A1\* 10/2013 Kaufman ..... B65F 1/1623  
220/8  
2013/0298506 A1\* 11/2013 Lucas ..... B65B 1/02  
53/452  
2015/0251849 A1\* 9/2015 Yang ..... B65F 1/062  
220/661  
2016/0052711 A1\* 2/2016 Fitzgerald ..... B65F 1/06  
220/495.08  
2018/0079592 A1\* 3/2018 Wang ..... B65F 1/1646  
2018/0305120 A1\* 10/2018 Yang ..... B65F 1/163  
2019/0329977 A1\* 10/2019 Sofy ..... B65F 1/06  
2020/0207544 A1\* 7/2020 Pestl ..... E05F 15/73  
2020/0391939 A1\* 12/2020 Wang ..... A61L 2/24  
2020/0391940 A1\* 12/2020 Wang ..... B65F 1/02  
2021/0061559 A1\* 3/2021 Fitzgerald ..... B65F 1/1623

\* cited by examiner

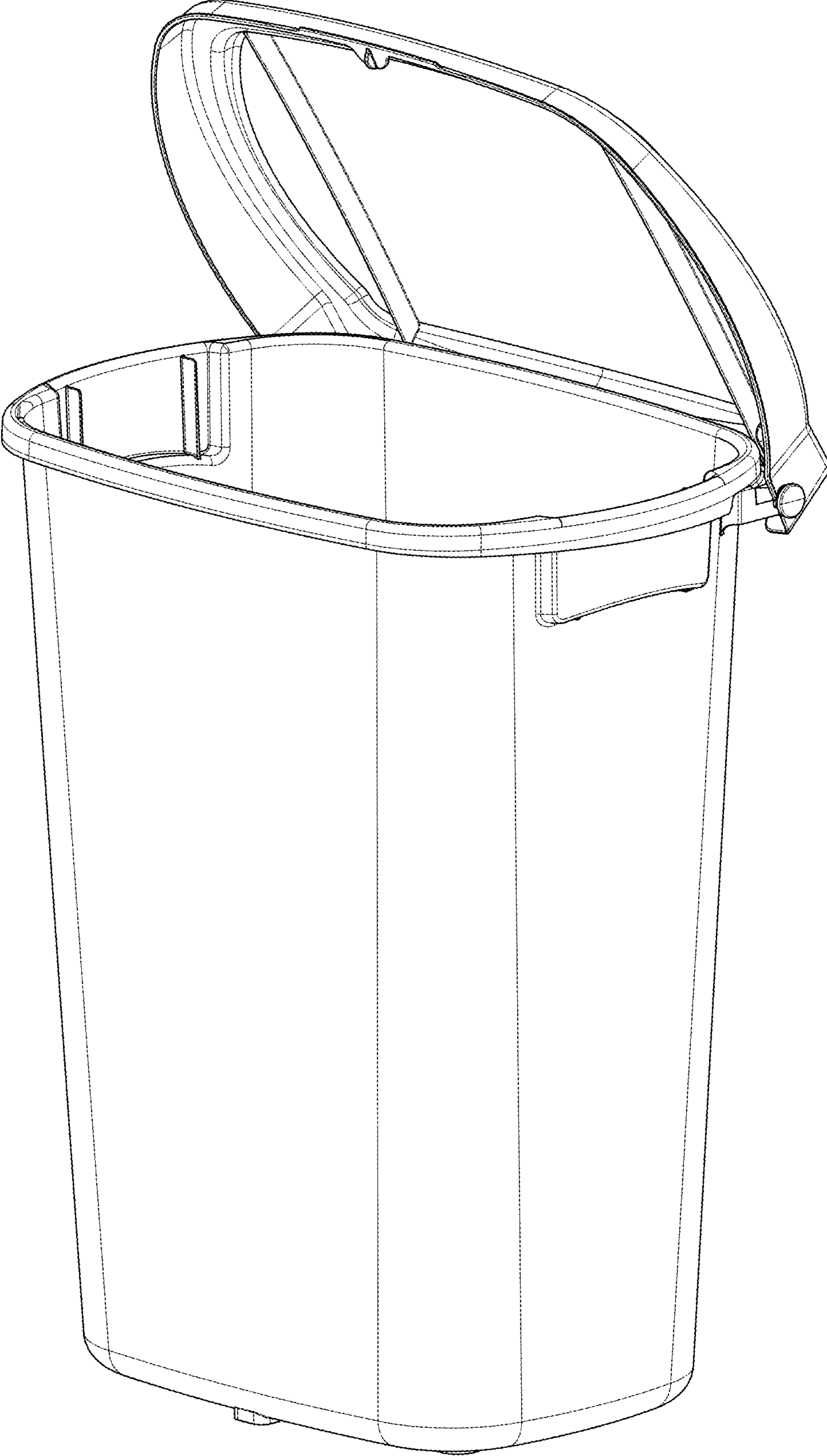


FIG. 1



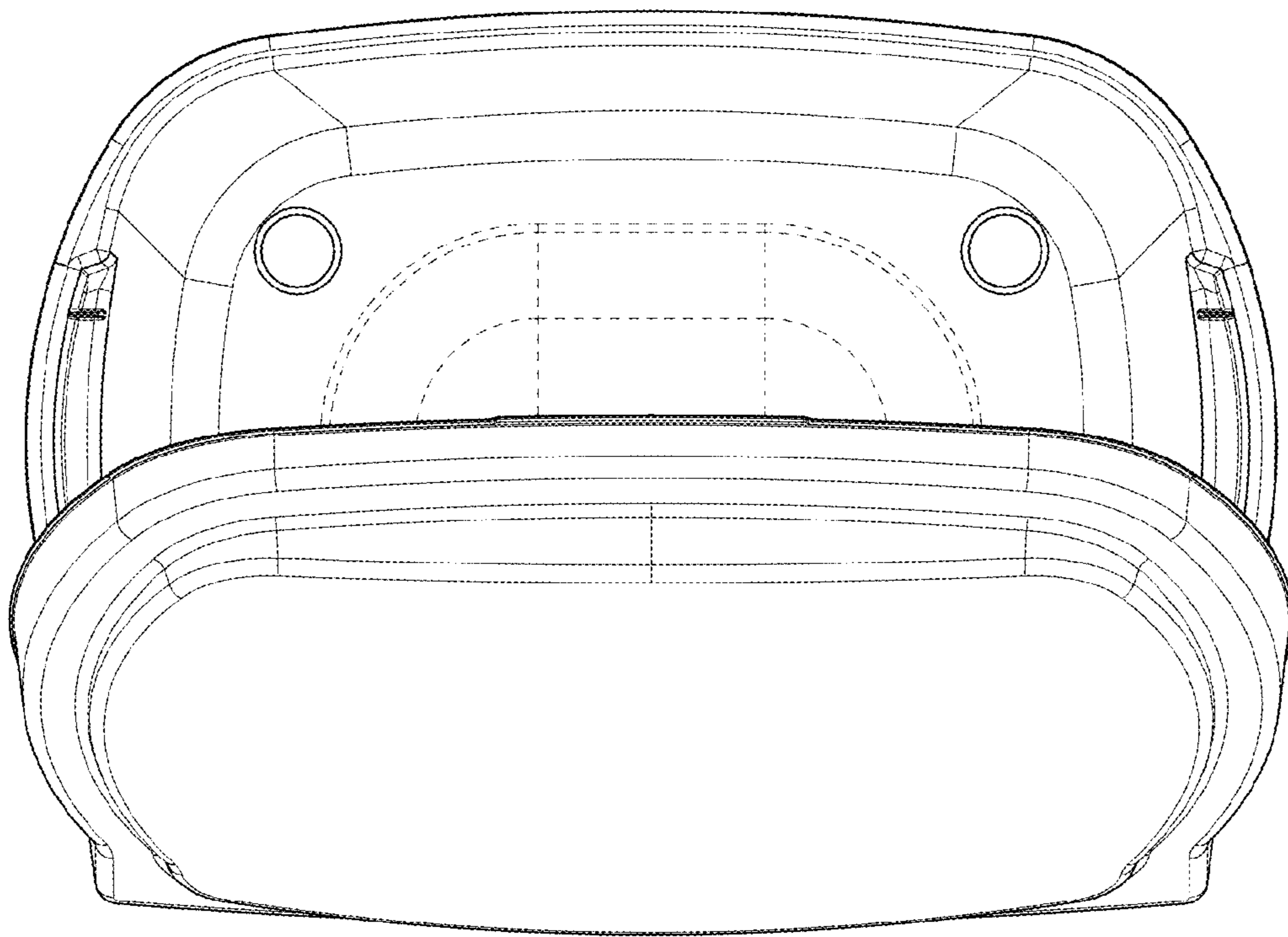


FIG. 2

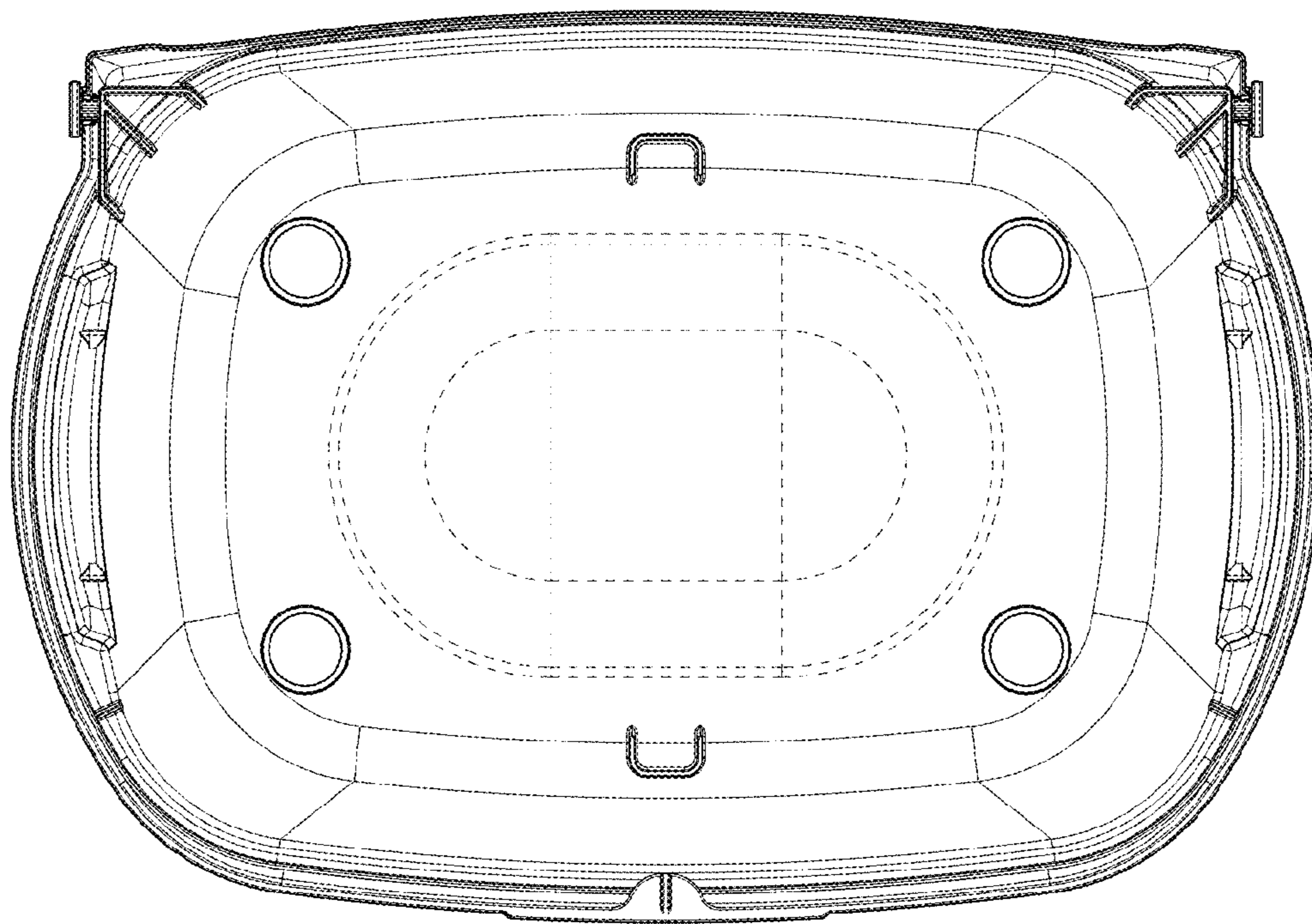


FIG. 3

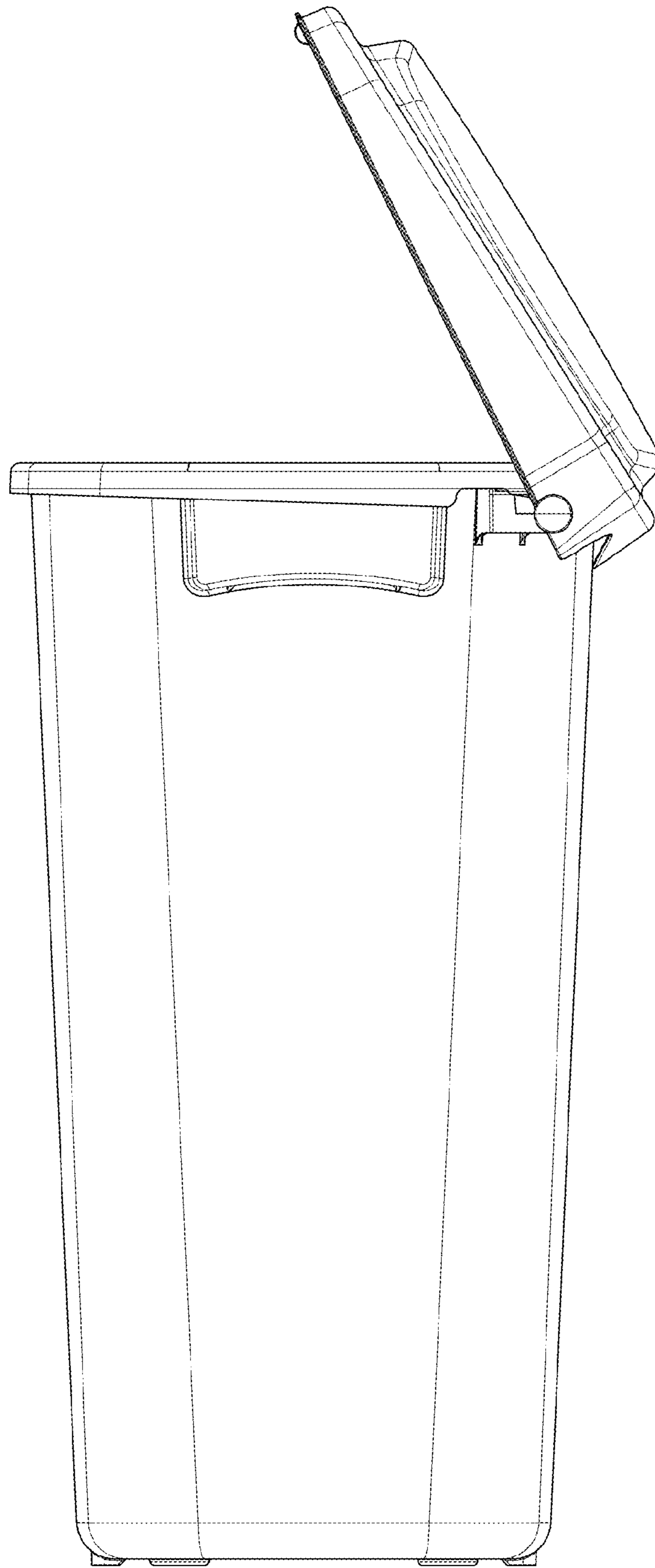


FIG.4

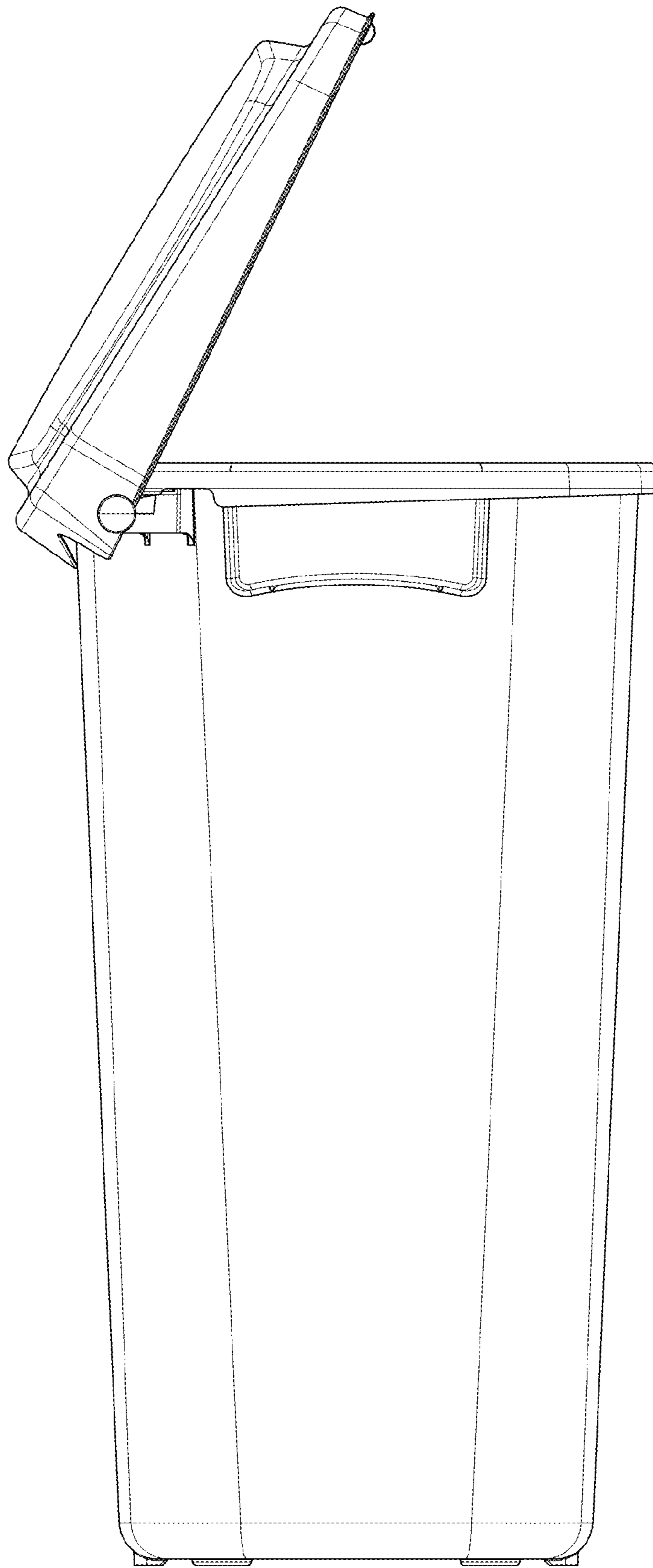


FIG.5

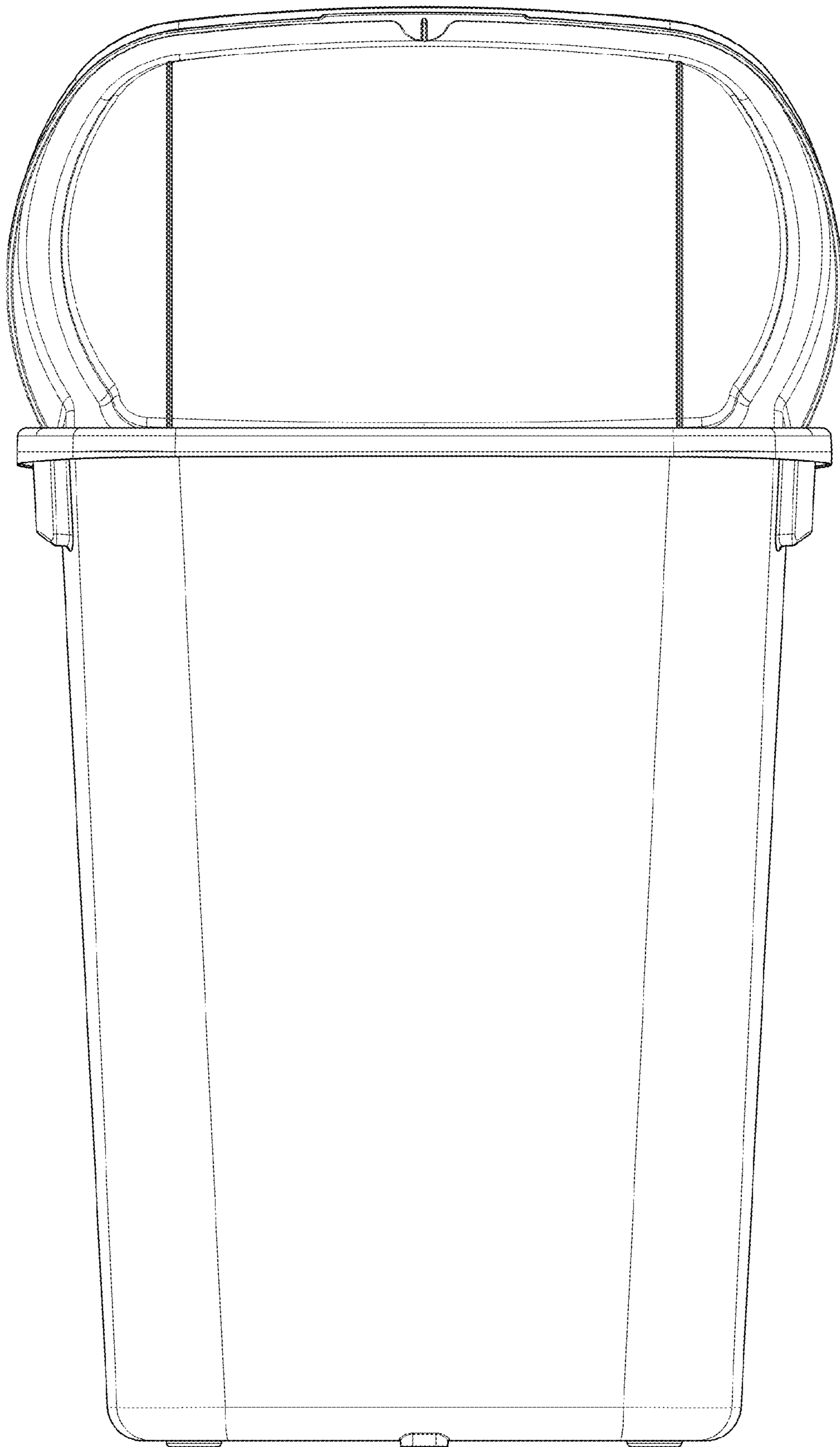


FIG.6

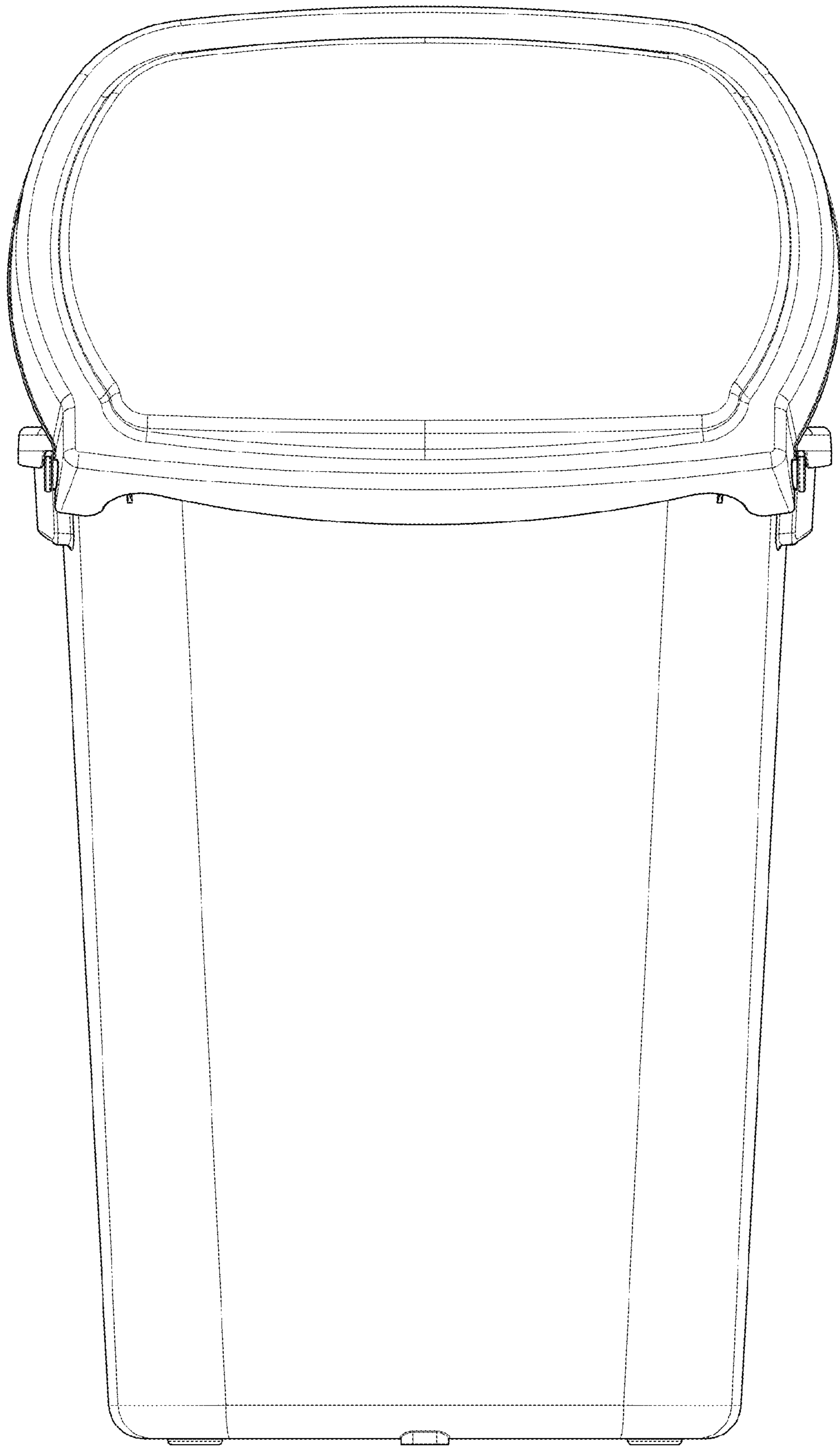


FIG. 7