



US00D935719S

(12) **United States Design Patent**
Huang

(10) **Patent No.:** **US D935,719 S**

(45) **Date of Patent:** **** Nov. 9, 2021**

(54) **FLOOR MOP**

(71) Applicant: **Jierong Huang**, Nanping (CN)

(72) Inventor: **Jierong Huang**, Nanping (CN)

(**) Term: **15 Years**

(21) Appl. No.: **29/747,066**

(22) Filed: **Aug. 19, 2020**

(51) **LOC (13) Cl.** **07-05**

(52) **U.S. Cl.**
USPC **D32/51**

(58) **Field of Classification Search**
USPC D4/137-138, 127; D32/45, 50-52
CPC A47L 17/04; A47L 17/00; A47L 13/16;
A47L 13/17; A47L 13/50; A47L 13/20;
A47L 13/00

See application file for complete search history.

(56) **References Cited**

U.S. PATENT DOCUMENTS

- 4,433,931 A * 2/1984 Malish B25G 3/30
403/194
- D284,897 S * 7/1986 Rubio D32/50
- D297,275 S * 8/1988 Cook D32/44
- D364,715 S * 11/1995 Amram 401/203
- D386,851 S * 11/1997 Levine D32/40
- D404,863 S * 1/1999 Flohs D32/51
- D409,343 S * 5/1999 Kingry A47L 13/254
D32/50
- D423,742 S * 4/2000 Kingry A47L 13/254
D32/40
- D467,396 S * 12/2002 Savage D32/51
- RE38,380 E * 1/2004 Libman A47L 13/142
15/120.1
- D490,952 S * 6/2004 Ajluni D32/50
- D547,017 S * 7/2007 Van Lanningham, Jr. D32/51
- D564,164 S * 3/2008 Harper D32/51
- D581,618 S * 11/2008 Soller D32/50
- D586,513 S * 2/2009 Pho D32/50

- D622,018 S * 8/2010 Renner D32/50
- D644,386 S * 8/2011 Tawara D32/51
- D660,535 S * 5/2012 Menius D32/51
- D685,969 S * 7/2013 Smith D32/50
- D719,712 S * 12/2014 Widmer A46B 17/00
D32/50
- D720,906 S * 1/2015 Baldwin D32/50
- 9,307,883 B2 * 4/2016 Bober A47L 13/16
- 9,943,207 B1 * 4/2018 Patterson A47L 13/258
- 9,980,621 B1 * 5/2018 Morad A47L 13/23
- D819,905 S * 6/2018 Blom
- D822,299 S * 7/2018 Fair D32/50
- D849,347 S * 5/2019 Hekking D32/40
- D855,271 S * 7/2019 Liang D32/50
- D864,512 S * 10/2019 Wu et al.

(Continued)

FOREIGN PATENT DOCUMENTS

- CN 305039780 * 2/2019 4/1
- CN 305127829 * 4/2019 4/1
- CN 305501621 * 12/2019 4/1

Primary Examiner — John R Yeh

(74) *Attorney, Agent, or Firm* — ScienBiziP, P.C.

(57) **CLAIM**

The ornamental design for a floor mop, as shown and described.

DESCRIPTION

FIG. 1 is a front perspective view of a floor mop, showing my design.

FIG. 2 is a front elevation view thereof.

FIG. 3 is a rear elevation view thereof.

FIG. 4 is a left side elevation view thereof.

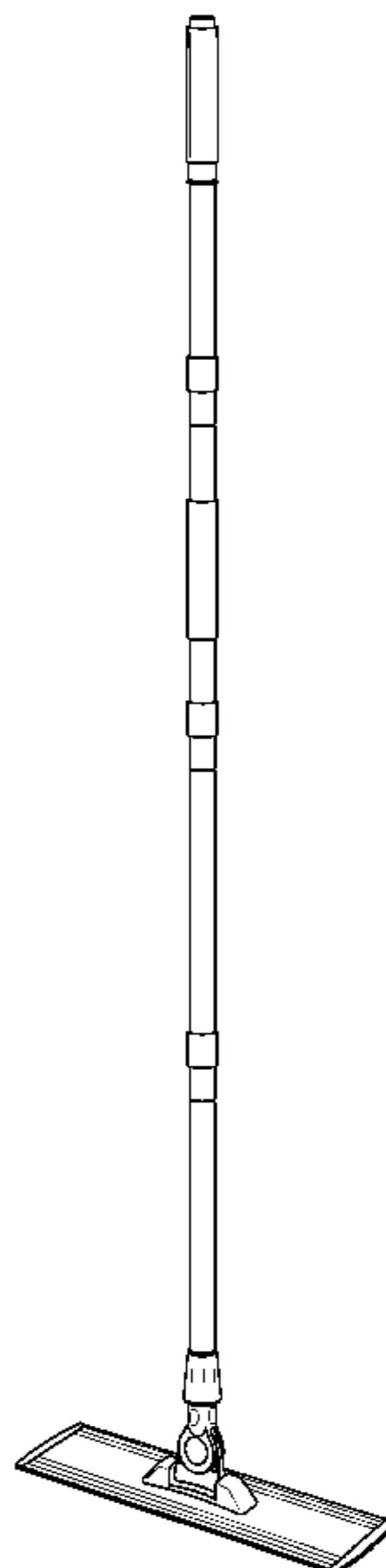
FIG. 5 is a right side elevation view thereof.

FIG. 6 is a top plan view thereof; and,

FIG. 7 is a bottom plan view thereof.

The broken lines in the figures illustrate portions of the floor mop that form no part of the claimed design.

1 Claim, 7 Drawing Sheets



(56)

References Cited

U.S. PATENT DOCUMENTS

D908,297 S *	1/2021	Carriere	D32/35
D915,703 S *	4/2021	Harrington	D32/50
D922,712 S *	6/2021	Harrington	D32/50
D925,850 S *	7/2021	Tullney	D32/50
2004/0107522 A1 *	6/2004	Paas	A47L 11/4069 15/98
2007/0256267 A1 *	11/2007	Burnett	A47L 13/20 15/229.1
2012/0159728 A1 *	6/2012	Suda	B32B 5/26 15/104.93

* cited by examiner

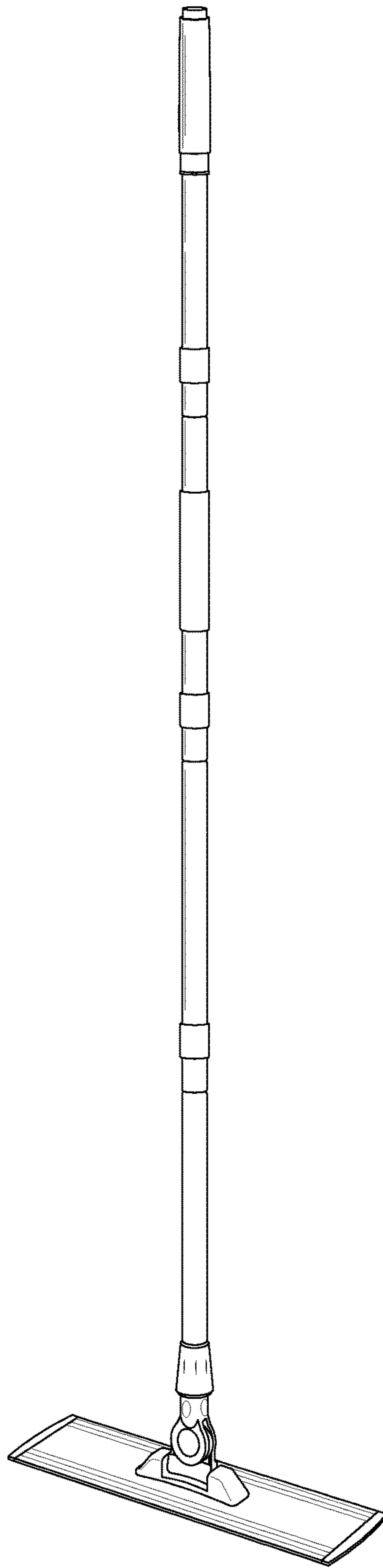


FIG. 1

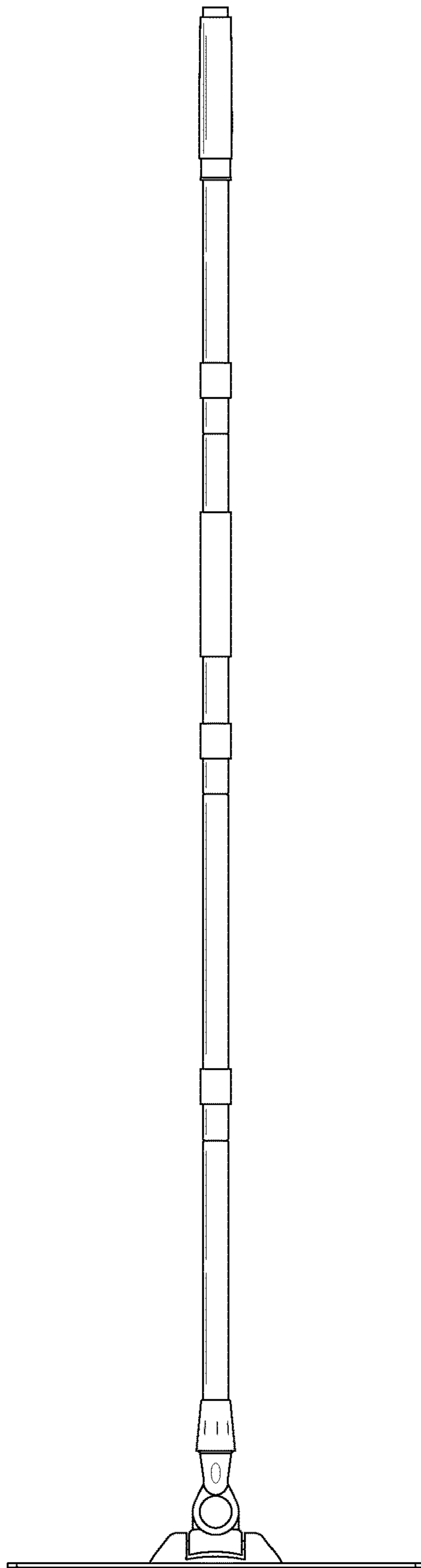


FIG.2

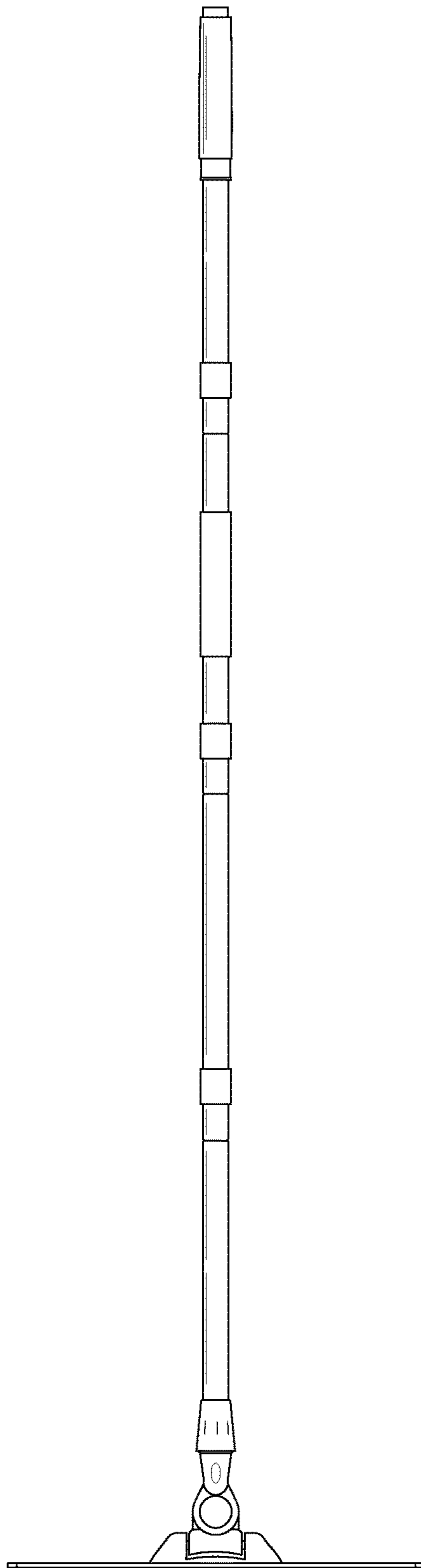


FIG.3

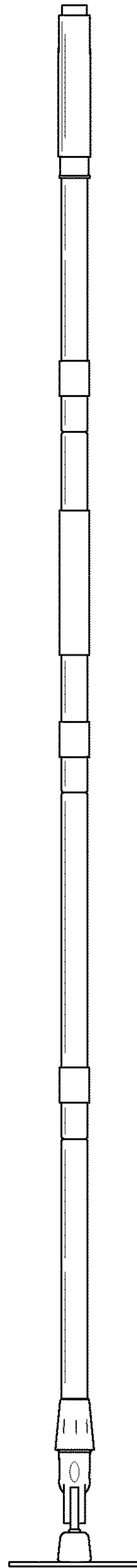


FIG.4

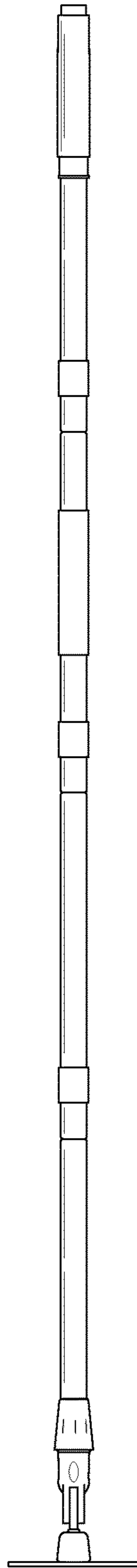


FIG.5

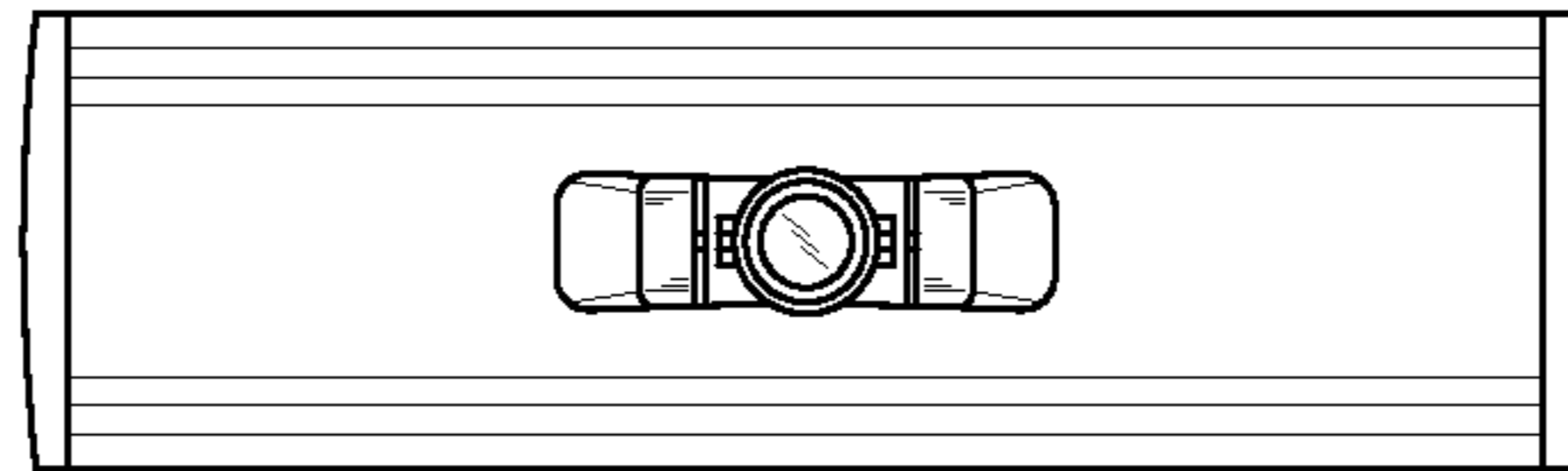


FIG.6

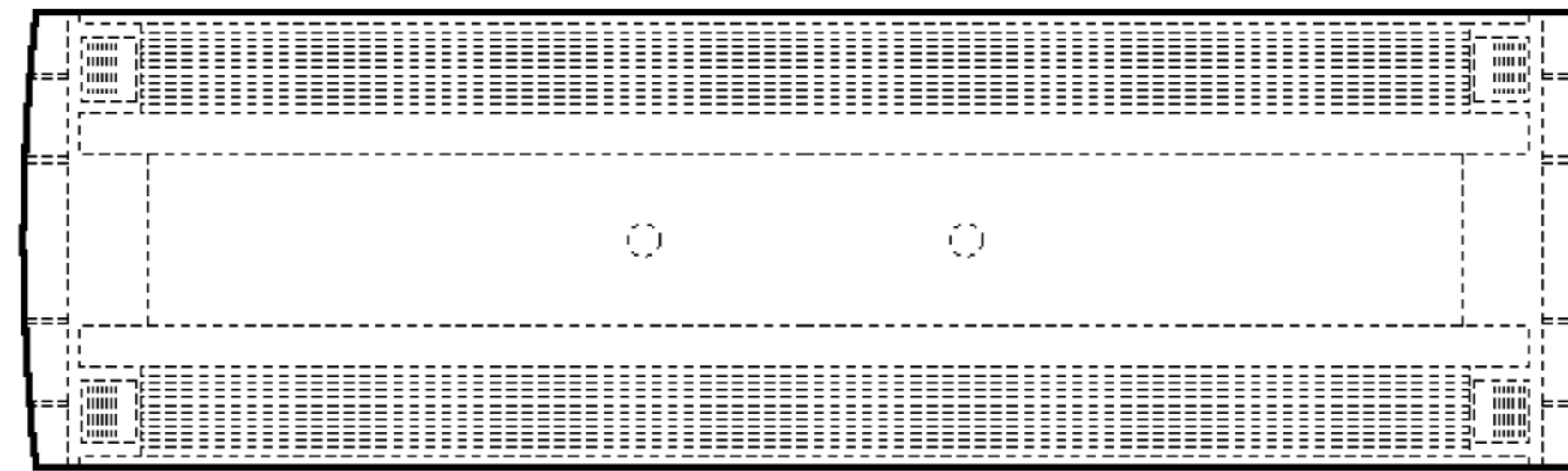


FIG. 7