



US00D935717S

(12) **United States Design Patent** (10) **Patent No.:** **US D935,717 S**
Chaffee et al. (45) **Date of Patent:** **** Nov. 9, 2021**

(54) **CLEANING TOOL HANDLE**
(71) Applicant: **3M INNOVATIVE PROPERTIES COMPANY**, St. Paul, MN (US)
(72) Inventors: **Matthew D. Chaffee**, Minneapolis, MN (US); **Mark W. Baldwin**, Woobury, MN (US)

(**) Term: **15 Years**

(21) Appl. No.: **29/704,584**

(22) Filed: **Sep. 5, 2019**

(51) **LOC (13) Cl.** **07-05**

(52) **U.S. Cl.**
USPC **D32/49**; D4/132

(58) **Field of Classification Search**
USPC D32/30-33, 40-43, 45-49, 50-52;
D4/118, 116, 128, 136, 138; D8/6-9, 20,
D8/45, 107; D7/670, 697; D6/551, 524
CPC . A47L 13/02; A47L 13/08; A47L 9/06; B25G
1/00; B25G 1/01; A46B 9/02
See application file for complete search history.

(56) **References Cited**

U.S. PATENT DOCUMENTS

D280,769 S * 9/1985 Johnson D32/44
D294,073 S * 2/1988 Lin D32/51
D393,167 S * 4/1998 Bussa D4/116
D413,470 S * 9/1999 Burton D6/551
5,984,555 A * 11/1999 Samad A46B 9/02
15/164
D448,176 S * 9/2001 Petner D4/119
6,804,852 B1 * 10/2004 Hay A46B 9/02
15/143.1
D603,115 S * 10/2009 McNeil D32/40
D685,152 S * 6/2013 Smith D32/40
D782,765 S * 3/2017 Mooney D32/40
10,021,872 B2 * 7/2018 Biyani A46B 5/02
D833,155 S * 11/2018 Lien D4/128
D856,776 S * 8/2019 Jun D8/107

D860,555 S * 9/2019 de Martrin-Donos D32/14
D864,585 S * 10/2019 Siragusa D4/128
D889,132 S * 7/2020 Kuang D4/116
D897,725 S * 10/2020 Stelmarski D6/551
D906,614 S * 12/2020 Chen D32/40
D913,701 S * 3/2021 Rubel D4/126
D917,197 S * 4/2021 Kwak D6/524
2008/0156680 A1 * 7/2008 Lai A47K 17/00
206/361
2011/0010880 A1 * 1/2011 Smith, Jr. A46B 5/00
15/160

(Continued)

FOREIGN PATENT DOCUMENTS

CN 305944258 * 7/2020
WO WO D209765-003 * 8/2020

OTHER PUBLICATIONS

Lowes Chlorox toilet brush, reviews 2018, site visited Jun. 16, 2021, <https://www.lowes.com/pd/Clorox-Poly-Fiber-Toilet-Brush/1000509511>.*

Primary Examiner — John R Yeh

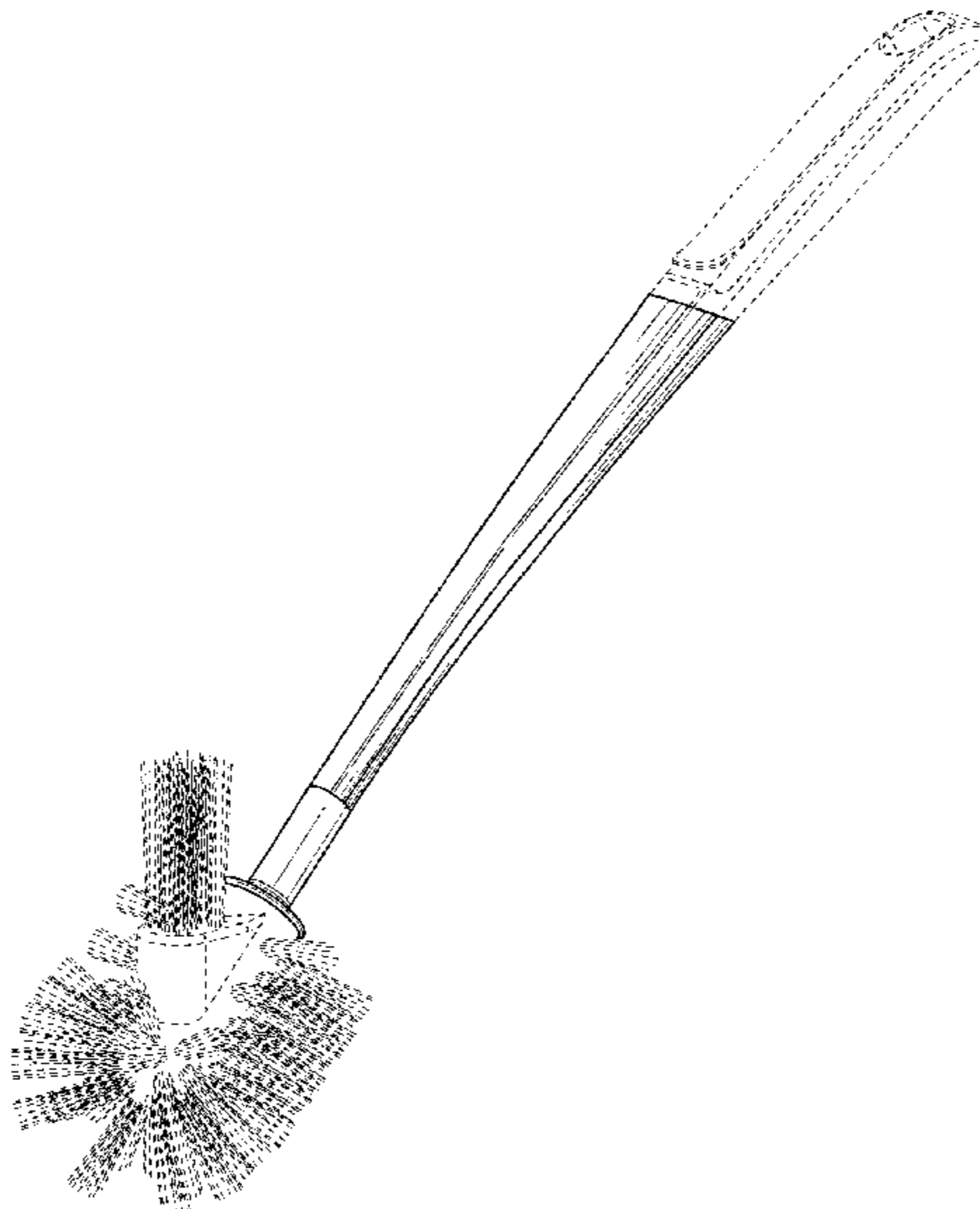
(57) **CLAIM**

The ornamental design for a cleaning tool handle, as shown and described.

DESCRIPTION

FIG. 1 is a perspective view showing the new design for a cleaning tool handle;
FIG. 2 is a front view thereof;
FIG. 3 is a rear view thereof;
FIG. 4 is a right view thereof;
FIG. 5 is a left view thereof;
FIG. 6 is a top view thereof; and,
FIG. 7 is a bottom view thereof.
The broken lines shown in FIGS. 1-7 depict portions of the cleaning tool handle that form no part of the claimed design.

1 Claim, 4 Drawing Sheets



(56)

References Cited

U.S. PATENT DOCUMENTS

2011/0225751 A1* 9/2011 Chapman A46B 15/0055
15/114

* cited by examiner

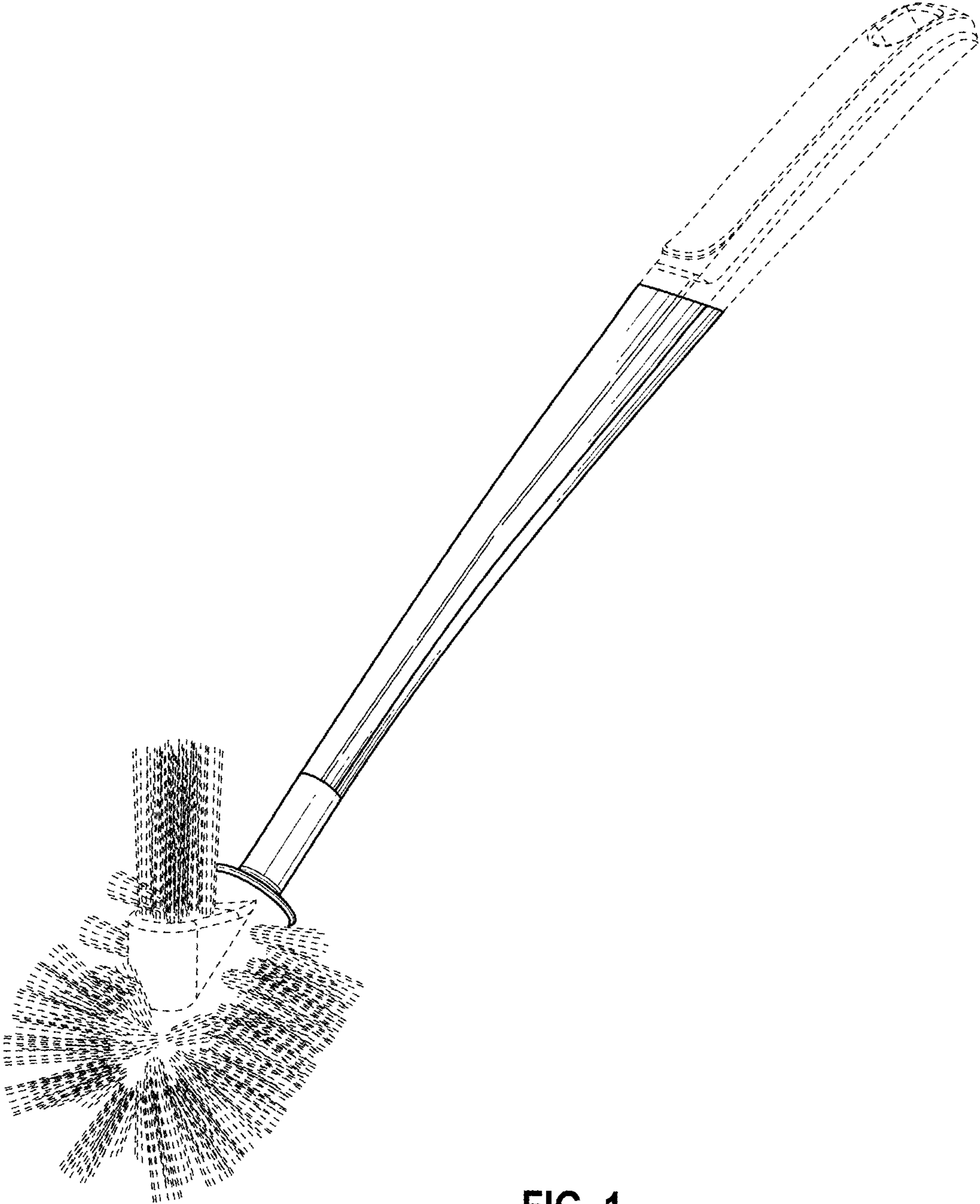


FIG. 1

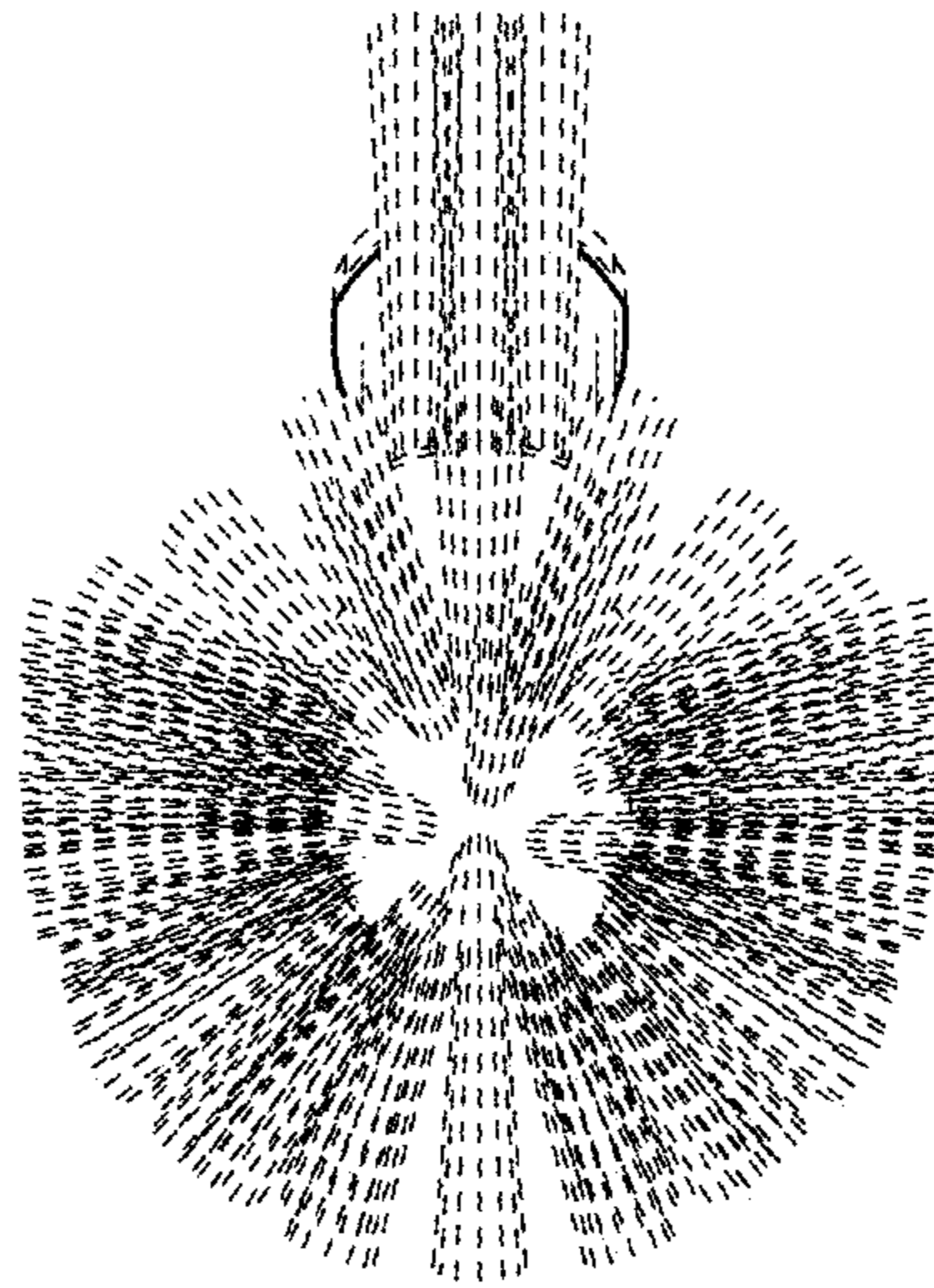


FIG. 2

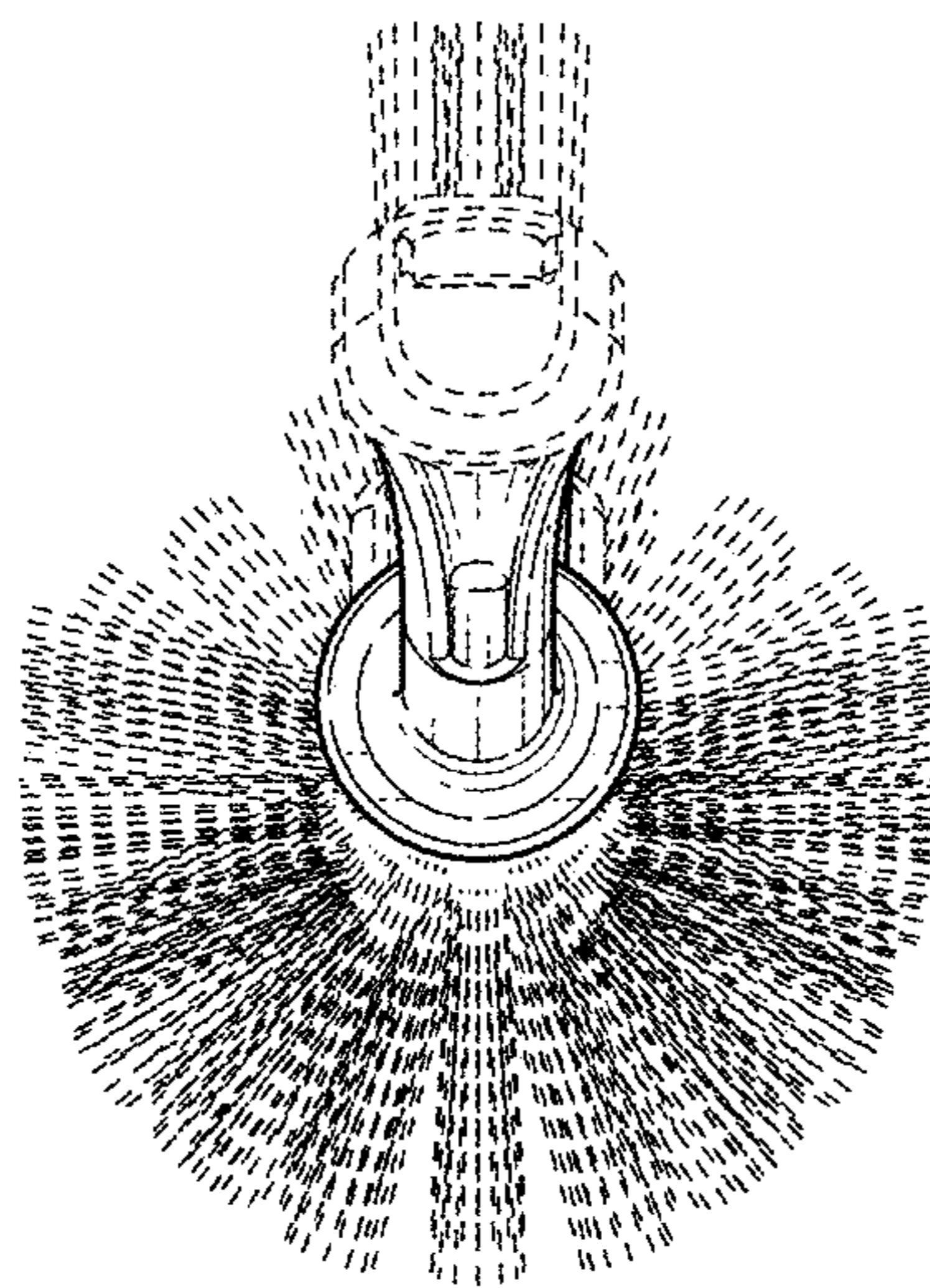


FIG. 3

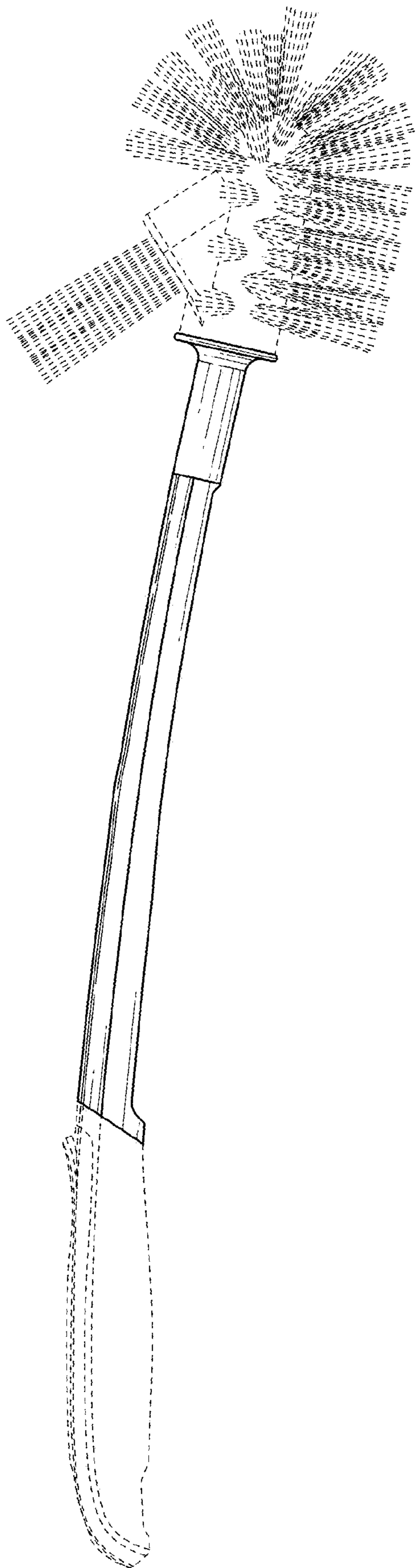


FIG. 4

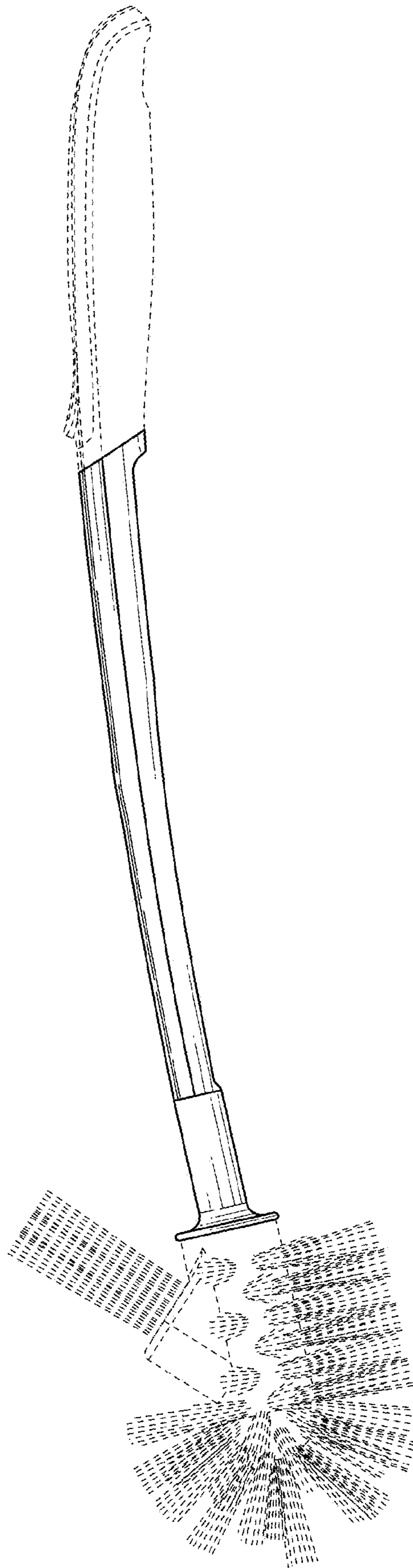


FIG. 5

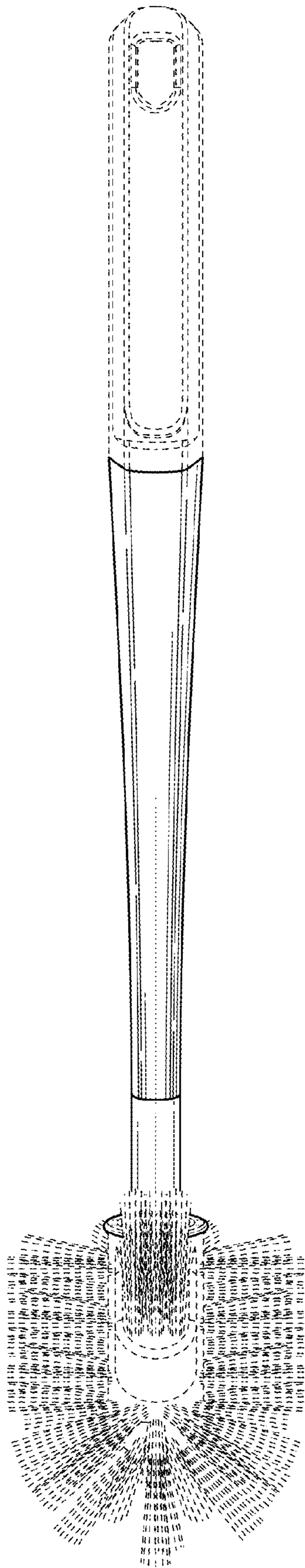


FIG. 6

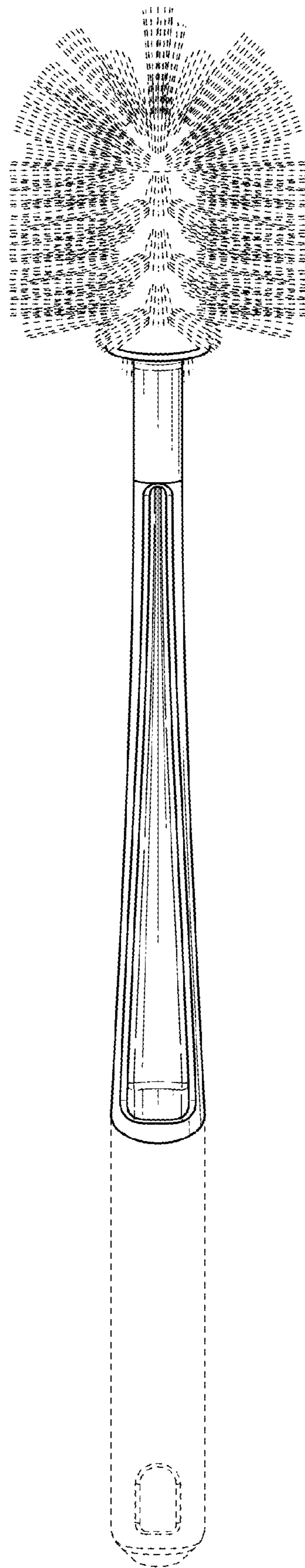


FIG. 7