



US00D935716S

(12) **United States Design Patent**
O'Donnell

(10) **Patent No.:** **US D935,716 S**

(45) **Date of Patent:** **** Nov. 9, 2021**

(54) **SCRAPER TOOL**

(71) Applicant: **Medium Rare Industries, Inc.**,
Newtown, PA (US)

(72) Inventor: **Michael O'Donnell**, Newtown, PA
(US)

(73) Assignee: **CHERTAN LLC**, Chicago, IL (US)

(**) Term: **15 Years**

(21) Appl. No.: **29/734,517**

(22) Filed: **May 13, 2020**

(51) **LOC (13) Cl.** **07-05**

(52) **U.S. Cl.**
USPC **D32/46; D8/34**

(58) **Field of Classification Search**
USPC D8/14, 18, 19, 33, 34, 40; D32/46
CPC A47L 13/02; A47L 13/022; A47L 13/08;
A47L 13/34; A47L 17/06; A47J 37/0786
See application file for complete search history.

(56) **References Cited**

U.S. PATENT DOCUMENTS

D341,453 S * 11/1993 Roma D32/46
D420,265 S * 2/2000 Pierce D8/18

D520,312 S * 5/2006 Roma D32/42
D637,463 S * 5/2011 Silvers D8/18
D730,706 S * 6/2015 Farland D8/45
D771,444 S * 11/2016 Anzalone D7/643
D902,515 S * 11/2020 Sharma D32/46
D911,647 S * 2/2021 Sarabia D32/46
2017/0332875 A1 * 11/2017 Persichina A47L 17/06

* cited by examiner

Primary Examiner — Philip S Hyder

(74) *Attorney, Agent, or Firm* — Honigman LLP

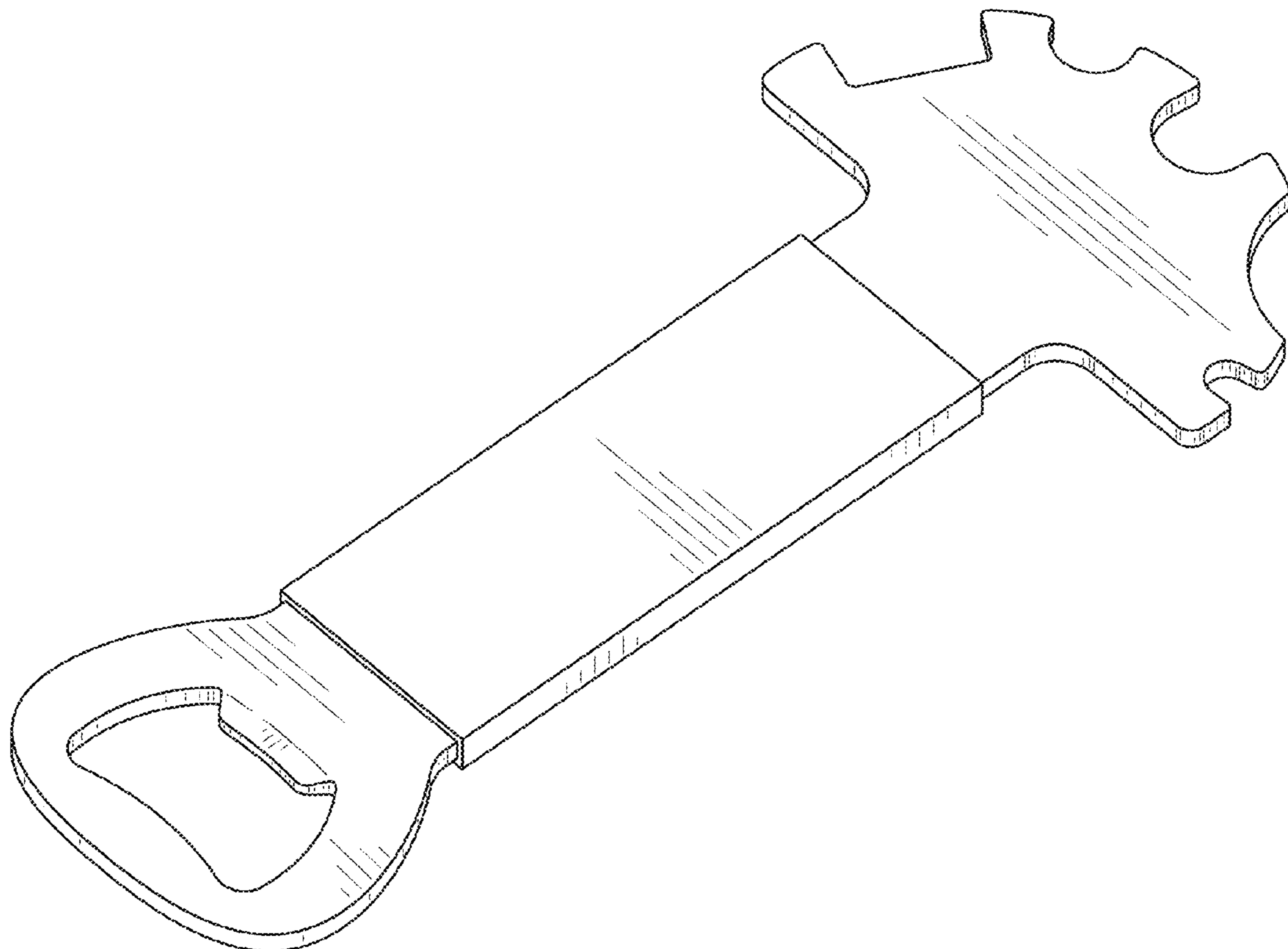
(57) **CLAIM**

The ornamental design for a scraper tool, as shown and described.

DESCRIPTION

FIG. 1 is a perspective view of the scraper tool;
FIG. 2 is a front view of the scraper tool;
FIG. 3 is a rear view of the scraper tool;
FIG. 4 is a right side view of the scraper tool;
FIG. 5 is a left side view of the scraper tool;
FIG. 6 is a top view of the scraper tool; and,
FIG. 7 is a bottom view of the scraper tool.

1 Claim, 3 Drawing Sheets



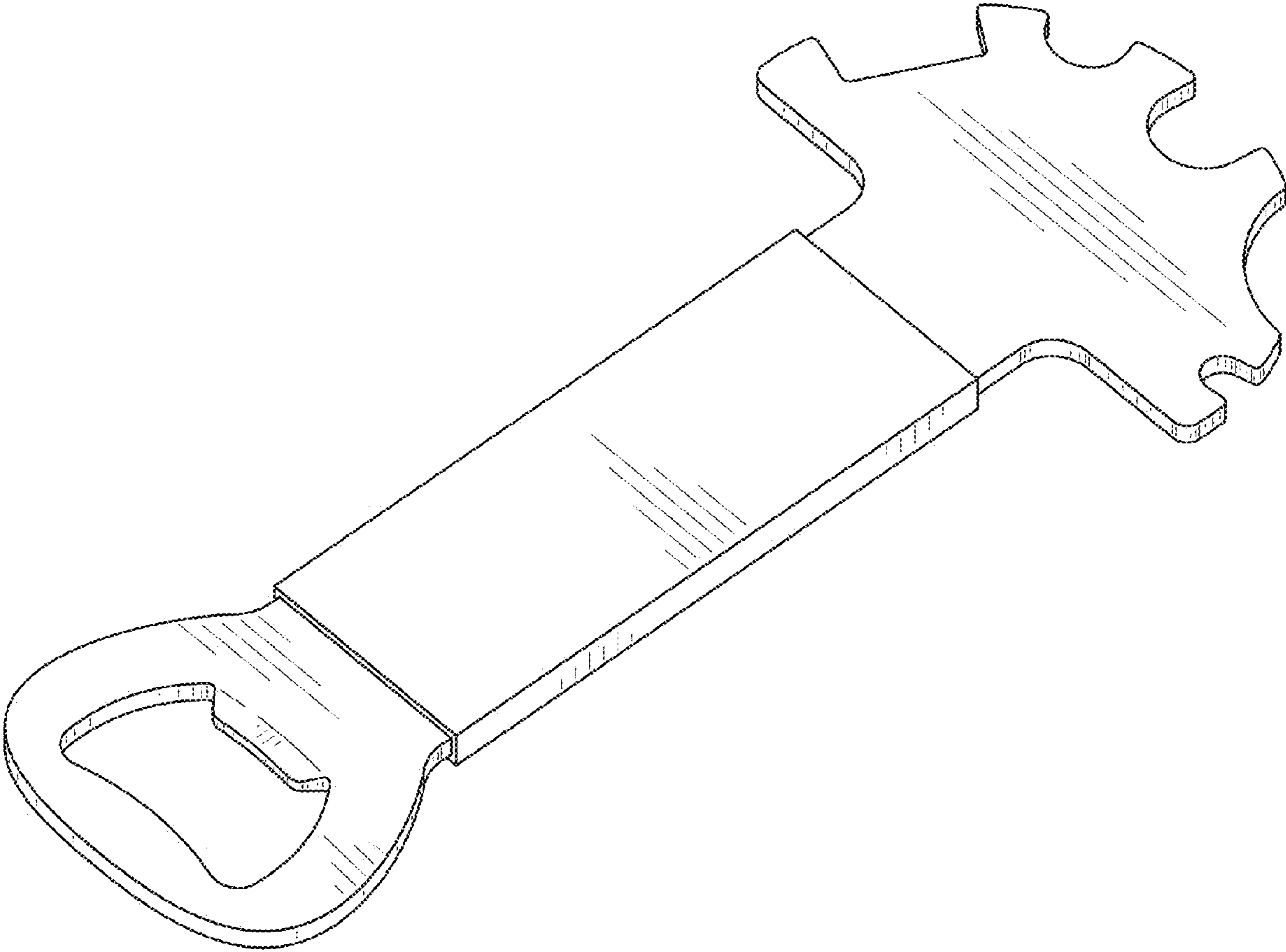


FIG. 1

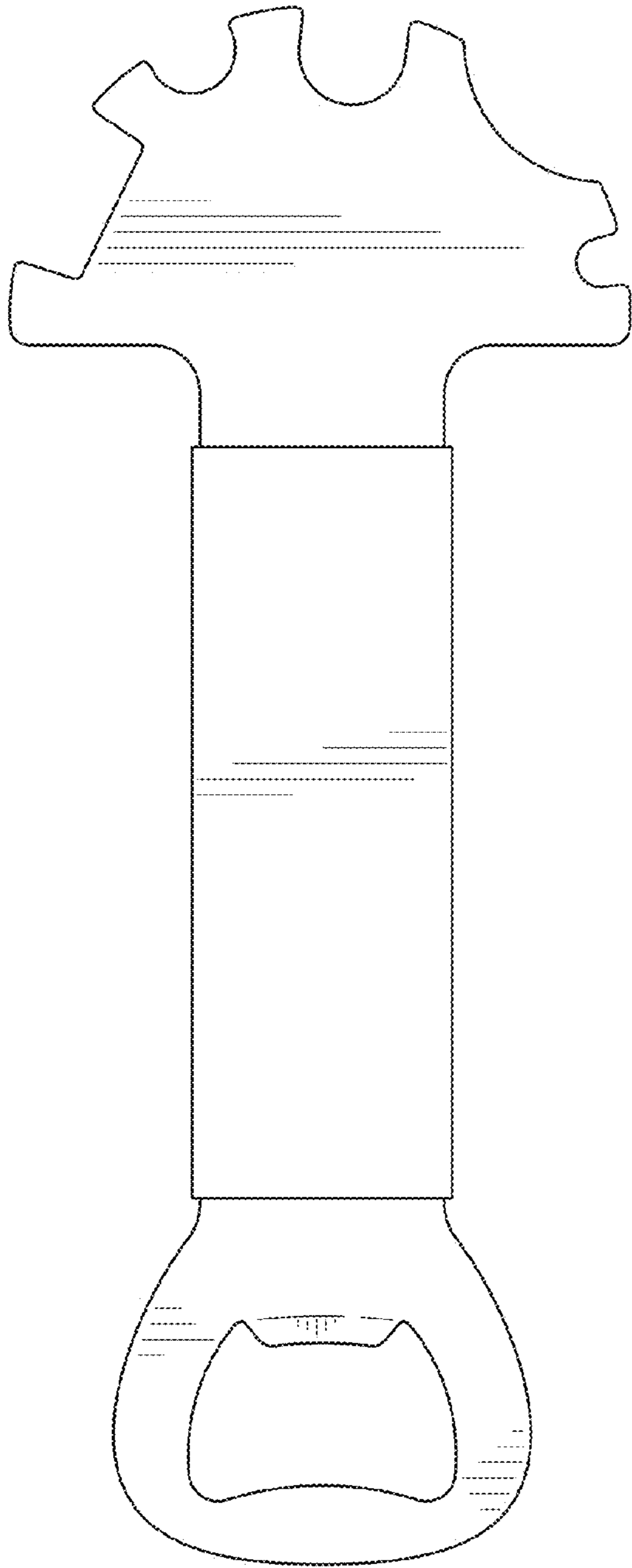


FIG. 2

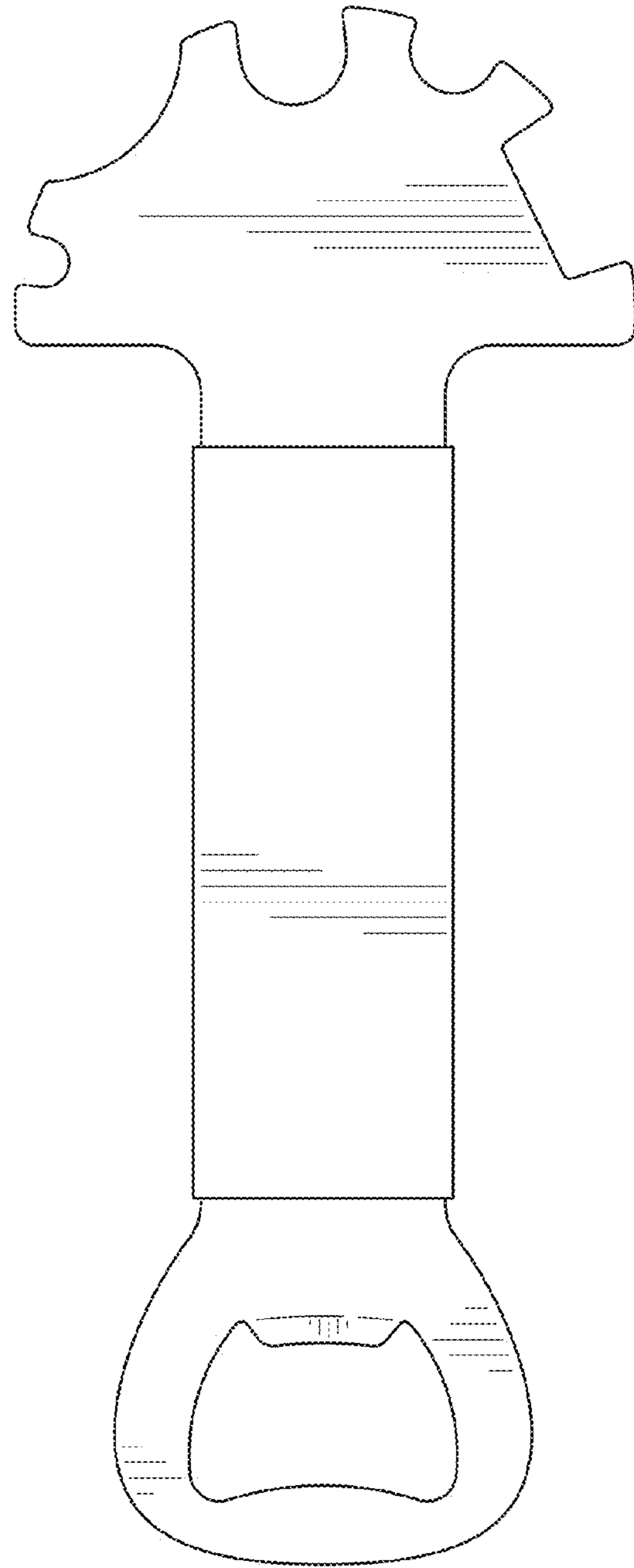


FIG. 3



FIG. 4



FIG. 5



FIG. 6

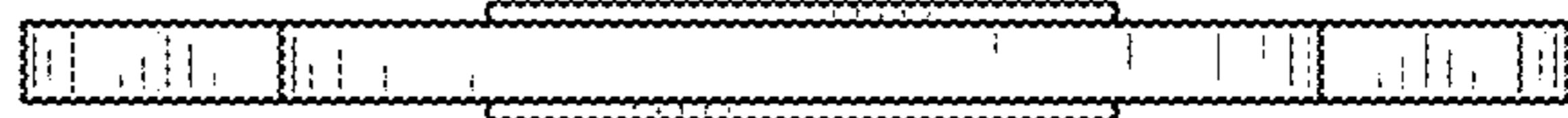


FIG. 7