



US00D935714S

(12) **United States Design Patent** (10) **Patent No.:** **US D935,714 S**
Park (45) **Date of Patent:** **** Nov. 9, 2021**

(54) **CLEANER**

(71) Applicant: **Samsung Electronics Co., Ltd.**,
Suwon-si (KR)

(72) Inventor: **Jinsun Park**, Suwon-si (KR)

(73) Assignee: **Samsung Electronics Co., Ltd.**,
Suwon-si (KR)

(**) Term: **15 Years**

(21) Appl. No.: **29/781,971**

(22) Filed: **May 3, 2021**

(30) **Foreign Application Priority Data**

Dec. 15, 2020 (KR) 30-2020-0062200

(51) **LOC (13) Cl.** **15-05**

(52) **U.S. Cl.**
USPC **D32/22**

(58) **Field of Classification Search**
USPC D32/15, 21, 22, 24, 31, 33, 45; D21/526
CPC A46B 9/06; A47L 5/24; A47L 5/28; A47L
5/30; A47L 5/34; A47L 7/0004; A47L
9/04; A47L 9/325; A47L 9/1683; A47L
11/302;

(Continued)

(56) **References Cited**

U.S. PATENT DOCUMENTS

D43,654 S * 2/1913 Straschnow D32/22
D114,601 S * 5/1939 Rosen et al. D32/45

(Continued)

FOREIGN PATENT DOCUMENTS

CN 201830623959 11/2018
CN 201830730406 12/2018

(Continued)

OTHER PUBLICATIONS

SWDK Cordless Slight Wet Electronic Mop, available in Amazon.com, date first available Aug. 27, 2020 [online], [site visited Jul. 26,

2021], Available from the internet URL: https://www.amazon.com/dp/B08GSMSF25/ref=cm_sw_r_em_apglt_fabc_E5C90CXFJYT640MKKB0W?_encoding=UTF8&psc=1 (Year: 2020).*

Primary Examiner — Lilyana Bekic

Assistant Examiner — Jennylou M Binas

(74) *Attorney, Agent, or Firm* — NSIP Law

(57) **CLAIM**

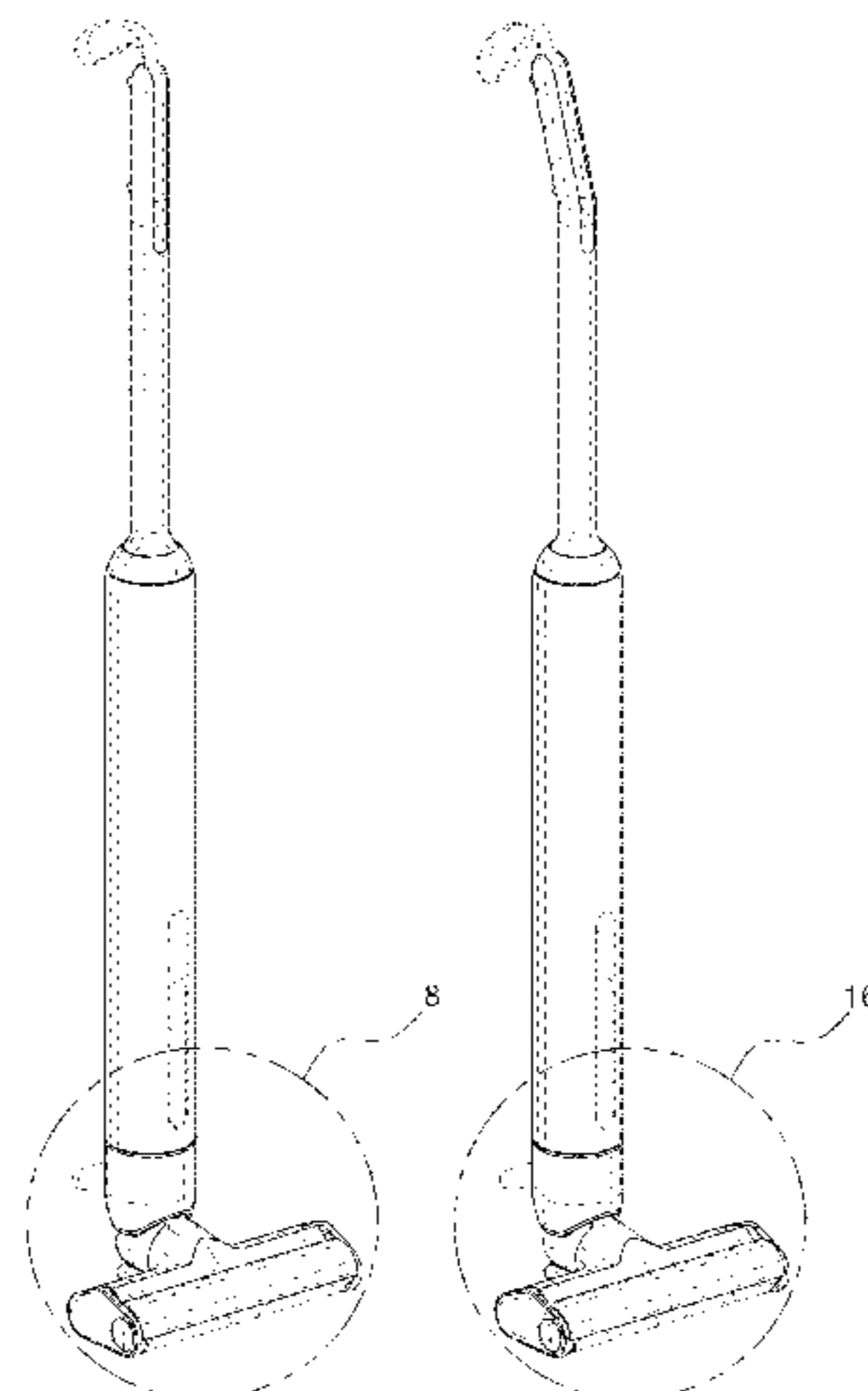
I claim the ornamental design for a cleaner, as shown and described.

DESCRIPTION

FIG. 1 is a front perspective view of a cleaner showing my new design in accordance to a first embodiment;
FIG. 2 is a front view thereof;
FIG. 3 is a rear view thereof;
FIG. 4 is a left-side view thereof;
FIG. 5 is a right-side view thereof;
FIG. 6 is a top view thereof;
FIG. 7 is a bottom view thereof;
FIG. 8 is an enlarged view of the encircled portion in FIG. 1;
FIG. 9 is a front perspective view of a cleaner showing my new design in accordance to a second embodiment;
FIG. 10 is a front view thereof;
FIG. 11 is a rear view thereof;
FIG. 12 is a left-side view thereof;
FIG. 13 is a right-side view thereof;
FIG. 14 is a top view thereof;
FIG. 15 is a bottom view thereof; and,
FIG. 16 is an enlarged view of the encircled portion in FIG. 9.

The broken lines in the figures depict portions of the cleaner which form no part of the claimed design.
The dot-dot-dash broken lines encircling portions of the claimed design that are illustrated in enlargements form no part of the claimed design.

1 Claim, 14 Drawing Sheets



(58) **Field of Classification Search**
 CPC .. A47L 11/34; A47L 11/4005; A47L 11/4008;
 A47L 11/4016; A47L 11/4041; A47L
 11/4044; A47L 11/4088; A47L 13/225;
 B04C 5/185; B08B 3/04; B23Q 11/0046;
 B23Q 11/0071; E04H 4/1636
 See application file for complete search history.

(56) **References Cited**

U.S. PATENT DOCUMENTS

D153,974 S * 5/1949 Petersen D32/15
 D155,903 S * 11/1949 Kelly D32/22
 D157,774 S * 3/1950 Minerley D32/22
 D188,411 S * 7/1960 Gantz D32/22
 D189,124 S * 11/1960 Kelnhofer D32/22
 D191,300 S * 9/1961 Anderson D32/22
 D198,443 S * 6/1964 Mango et al. D32/22
 D203,968 S * 3/1966 Lagerstrom et al. D32/22
 D280,661 S * 9/1985 Hill D23/383
 D296,486 S * 6/1988 Staubitz D32/22
 D305,373 S * 1/1990 Yamamoto D32/22

D364,948 S * 12/1995 Hunt D32/45
 D382,681 S * 8/1997 Thomas D32/22
 D398,096 S * 9/1998 Gildersleeve D32/22
 D398,099 S * 9/1998 Leung D32/22
 D420,475 S * 2/2000 Yuen D32/22
 D482,506 S * 11/2003 Honda D32/22
 D482,829 S * 11/2003 Vosbikian D32/45
 D558,943 S * 1/2008 Labarbera D32/22
 D743,125 S * 11/2015 Lee D32/22
 D872,396 S * 1/2020 Miyawaki D32/22
 D901,795 S * 11/2020 Rummel D32/15
 D910,944 S * 2/2021 Uim D32/22
 2019/0167058 A1* 6/2019 Cho A47L 9/248

FOREIGN PATENT DOCUMENTS

KR 300775801.0000 * 12/2014
 KR 30-2018-0040759 5/2019
 KR 301035453.0000 * 12/2019
 KR 30-2020-0000465 3/2020
 KR 30-2019-0057929 7/2020
 WO WO-D212175-002 * 7/2021

* cited by examiner

FIG. 1

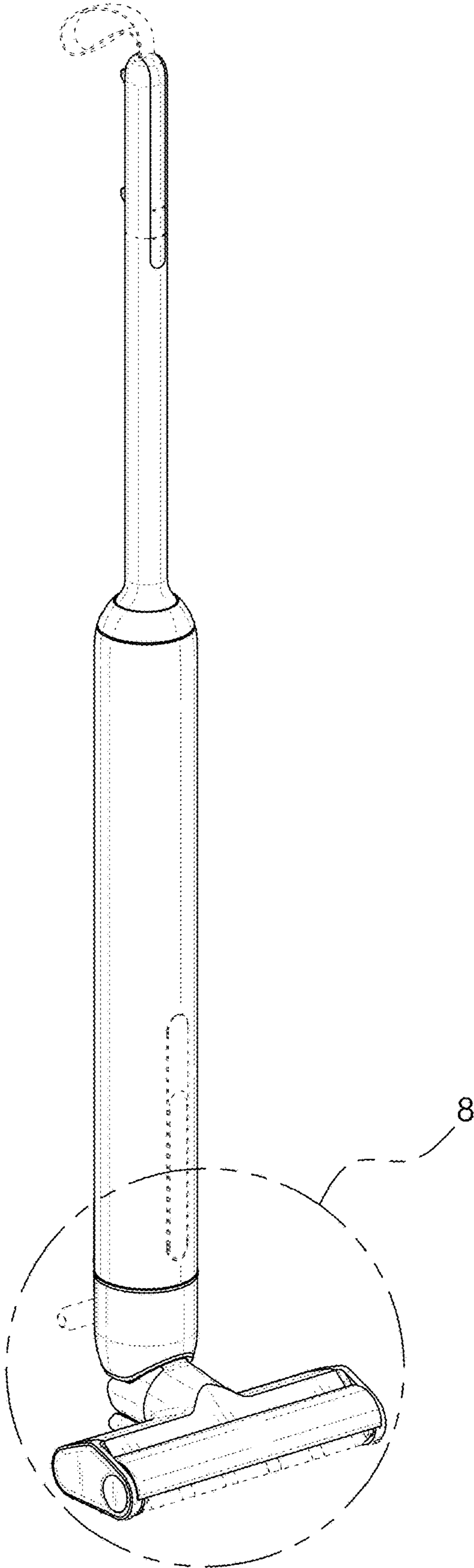


FIG. 2

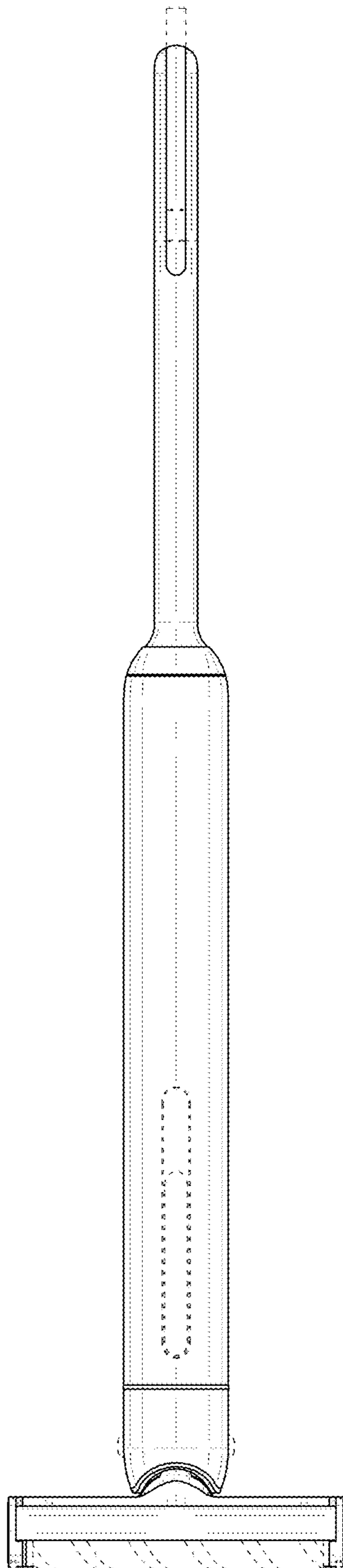


FIG. 3

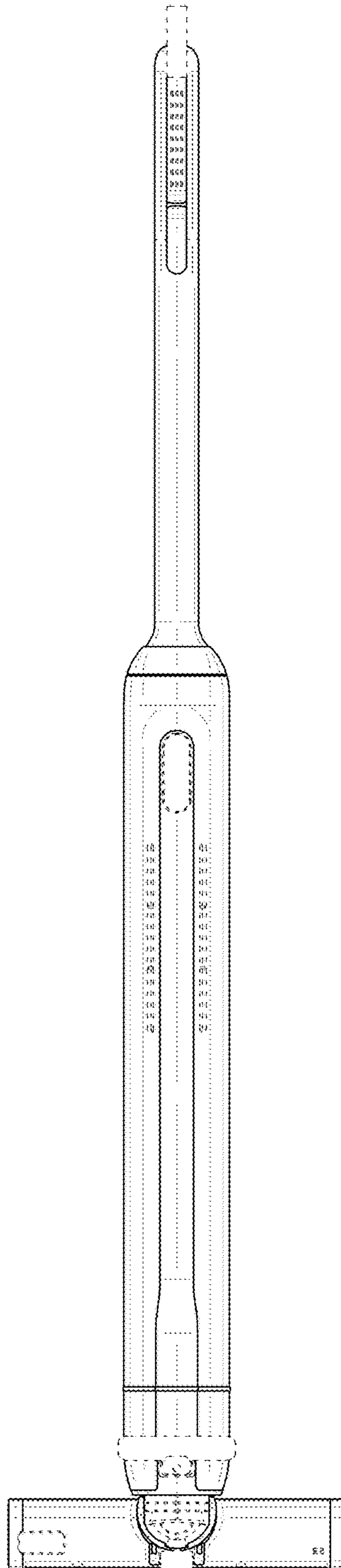


FIG. 4

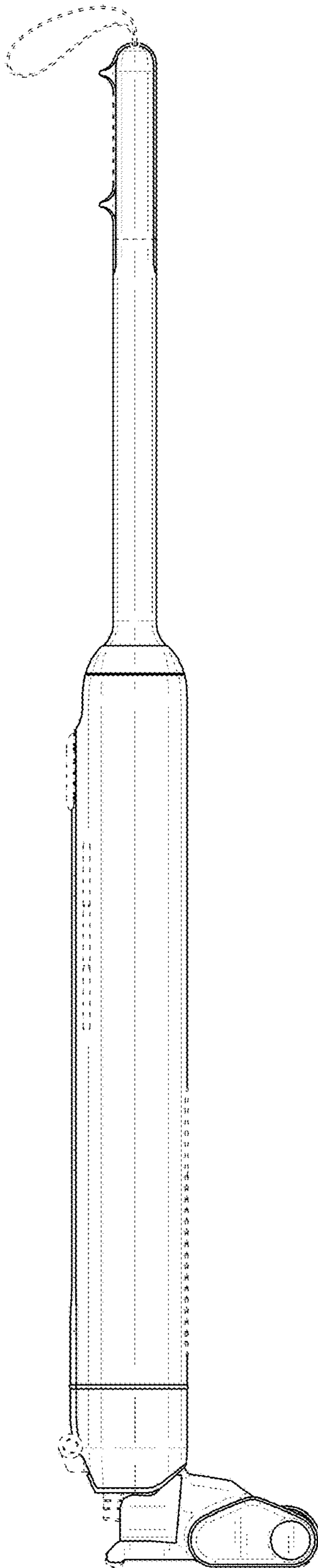


FIG. 5

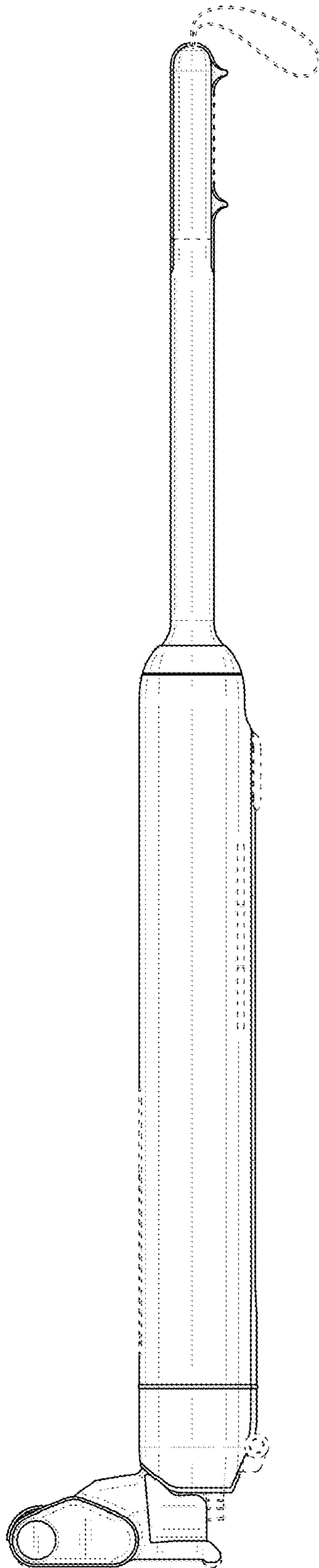


FIG. 6

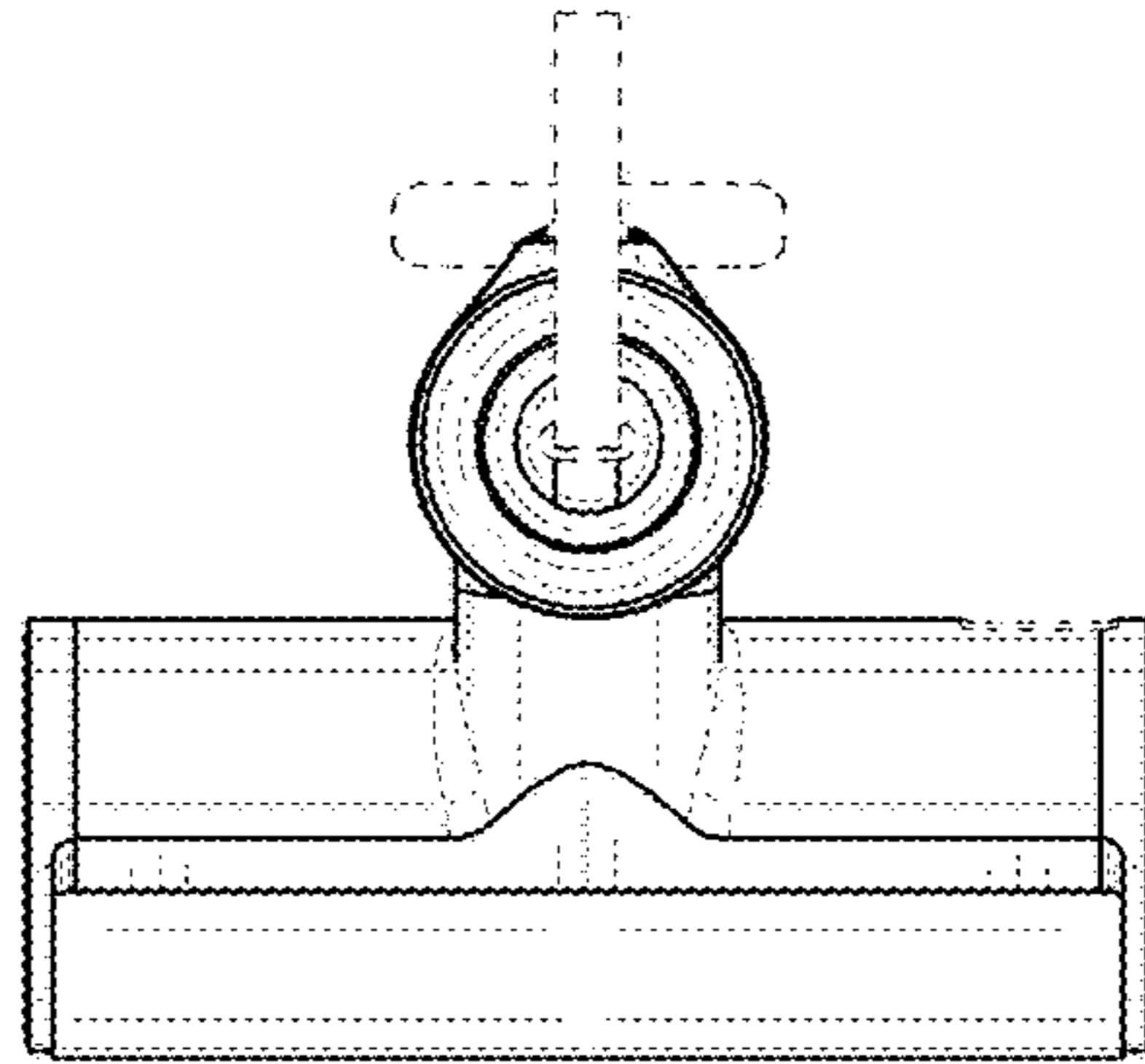


FIG. 7

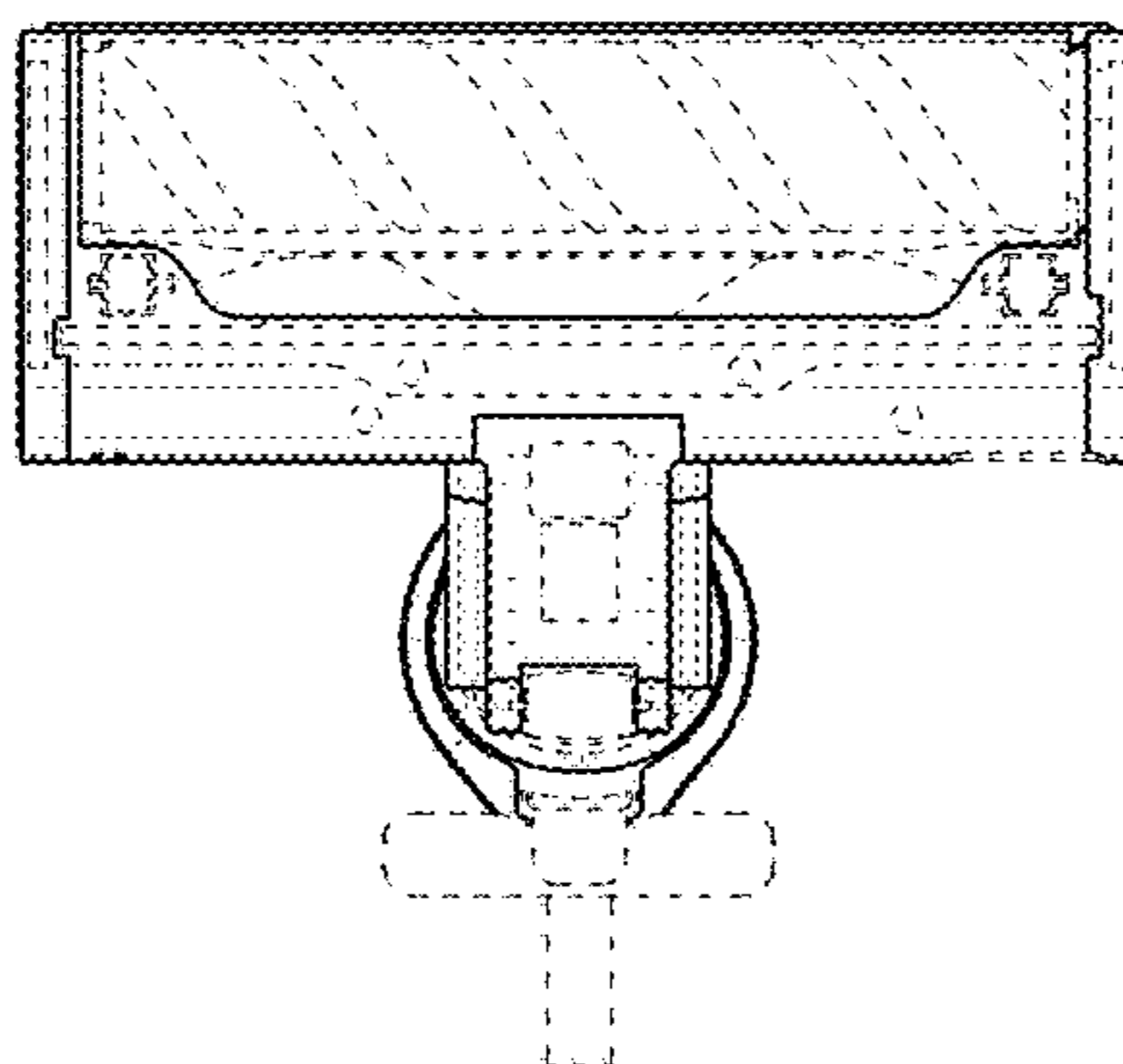


FIG. 8

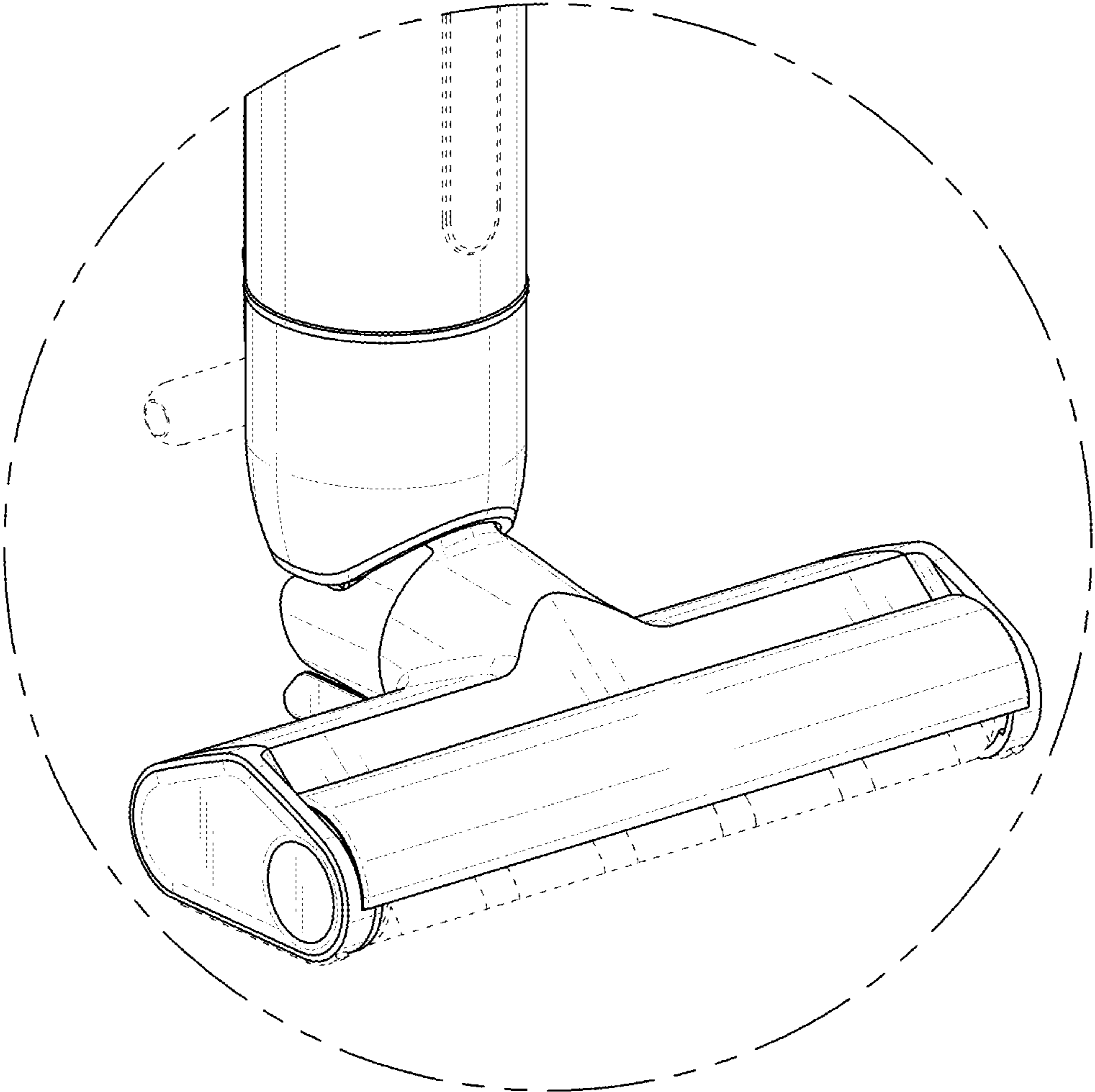


FIG. 9

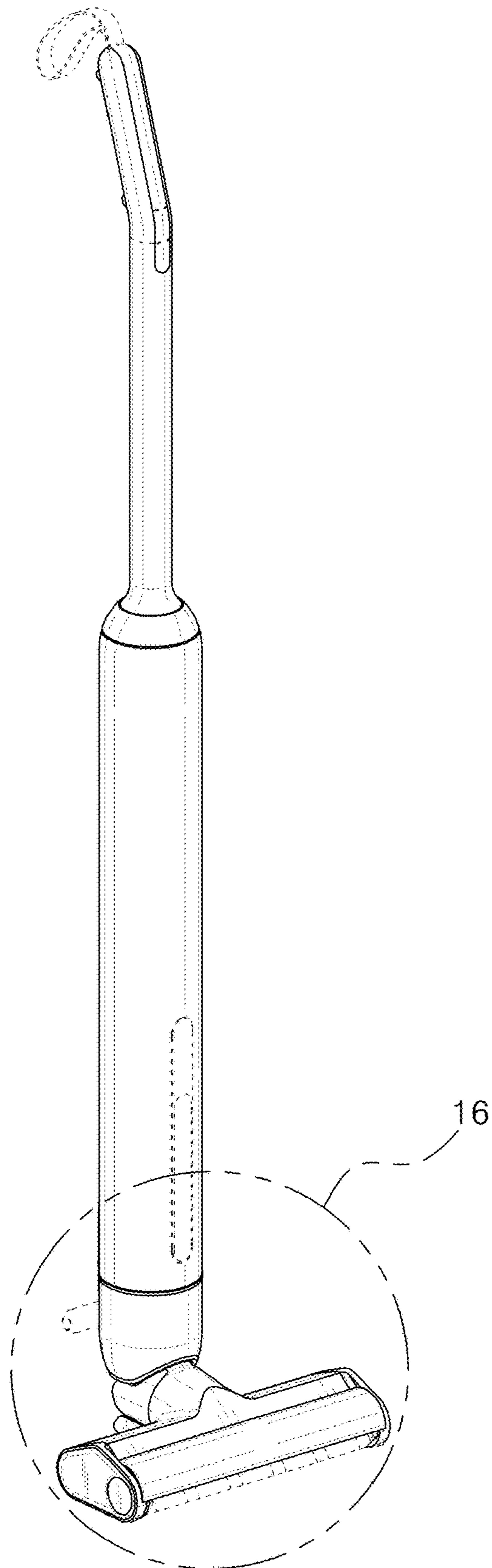


FIG. 10

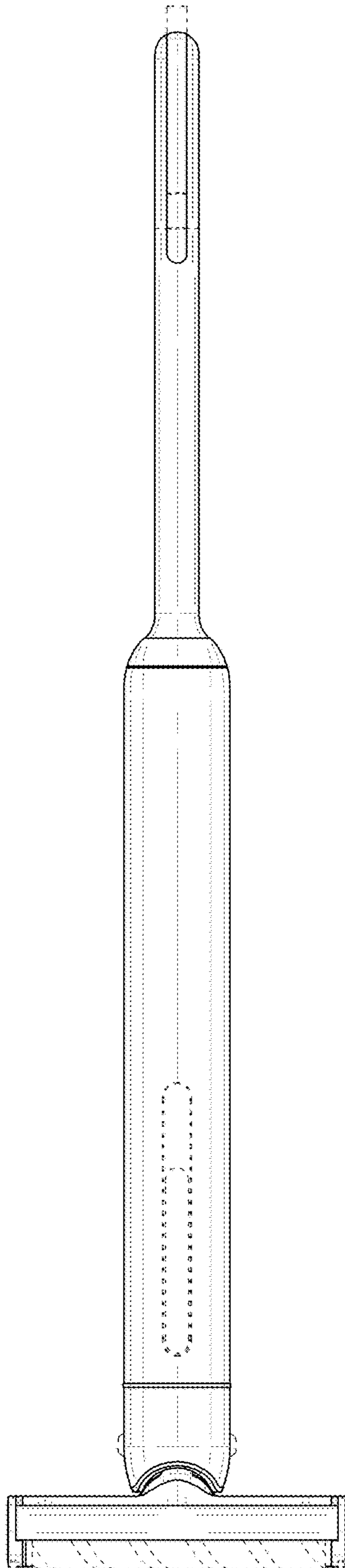


FIG. 11

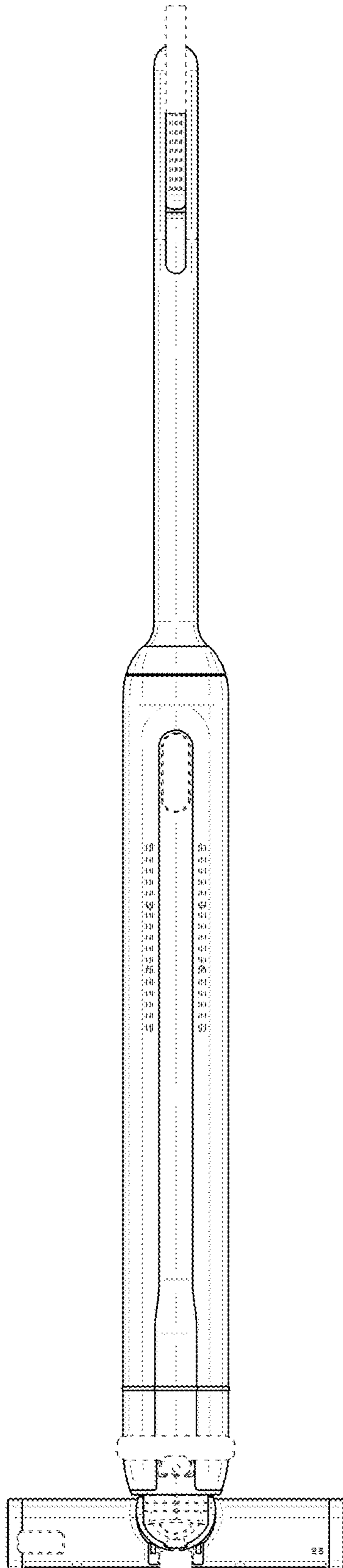


FIG. 12

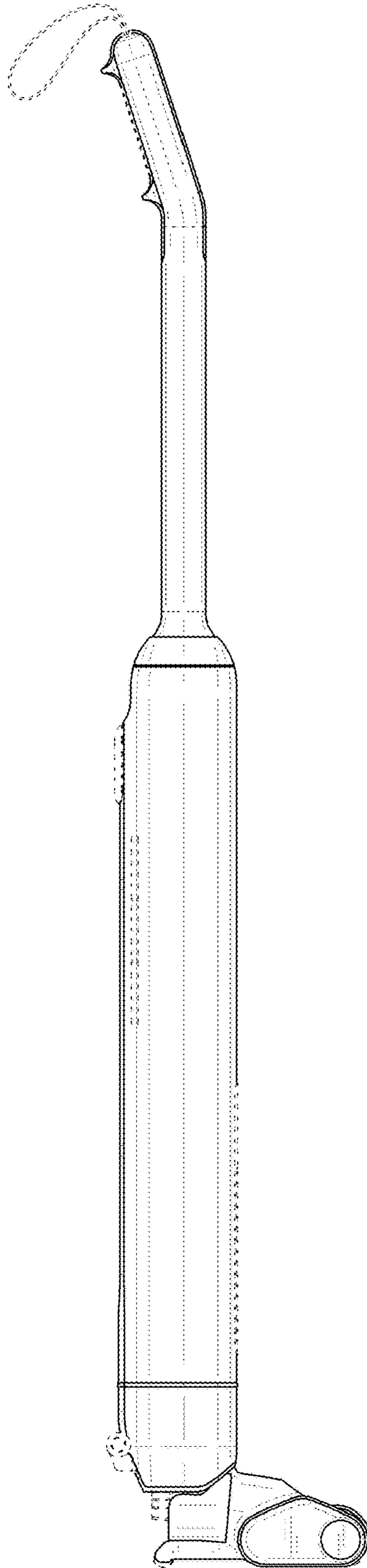


FIG. 13

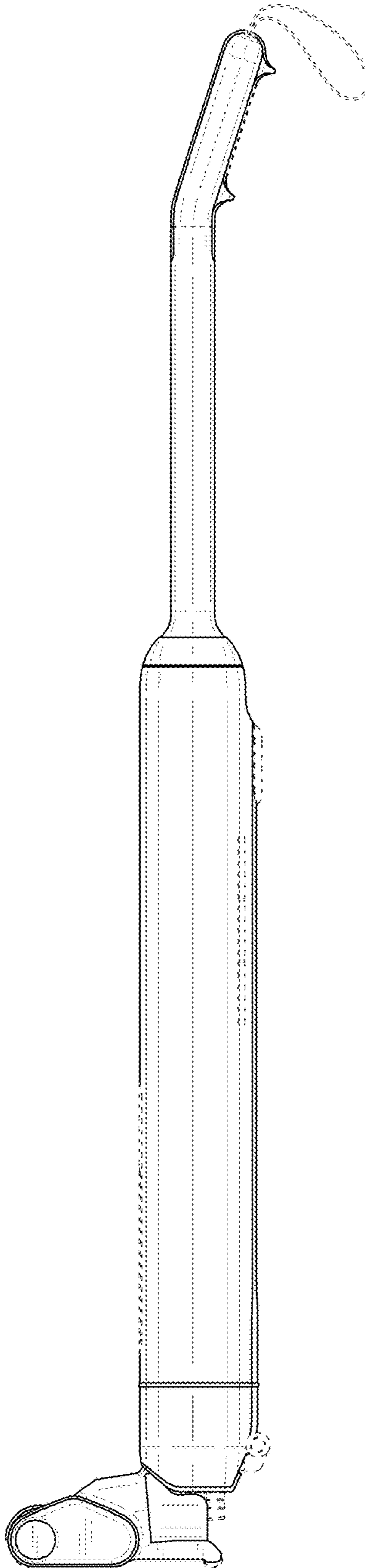


FIG. 14

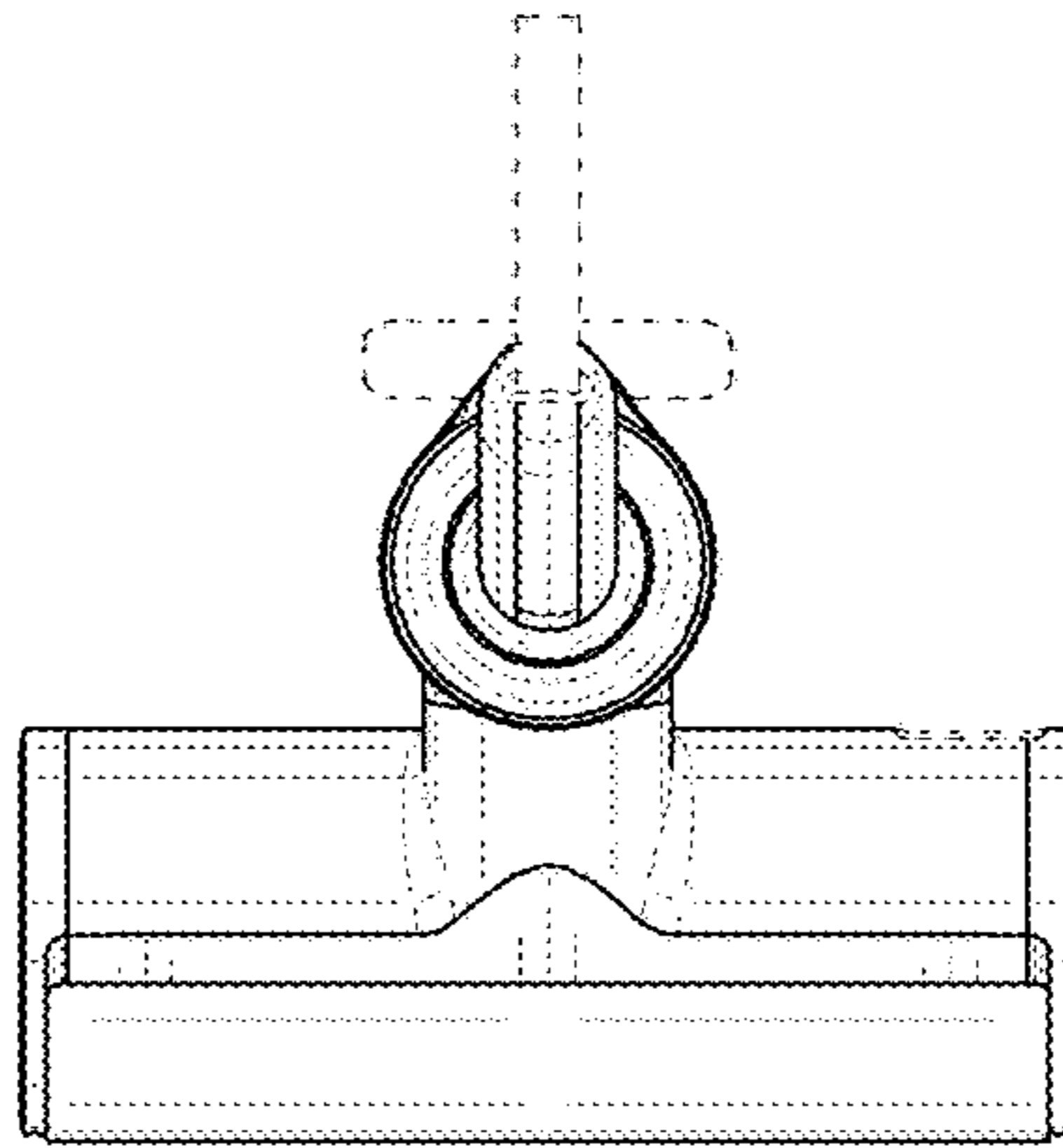


FIG. 15

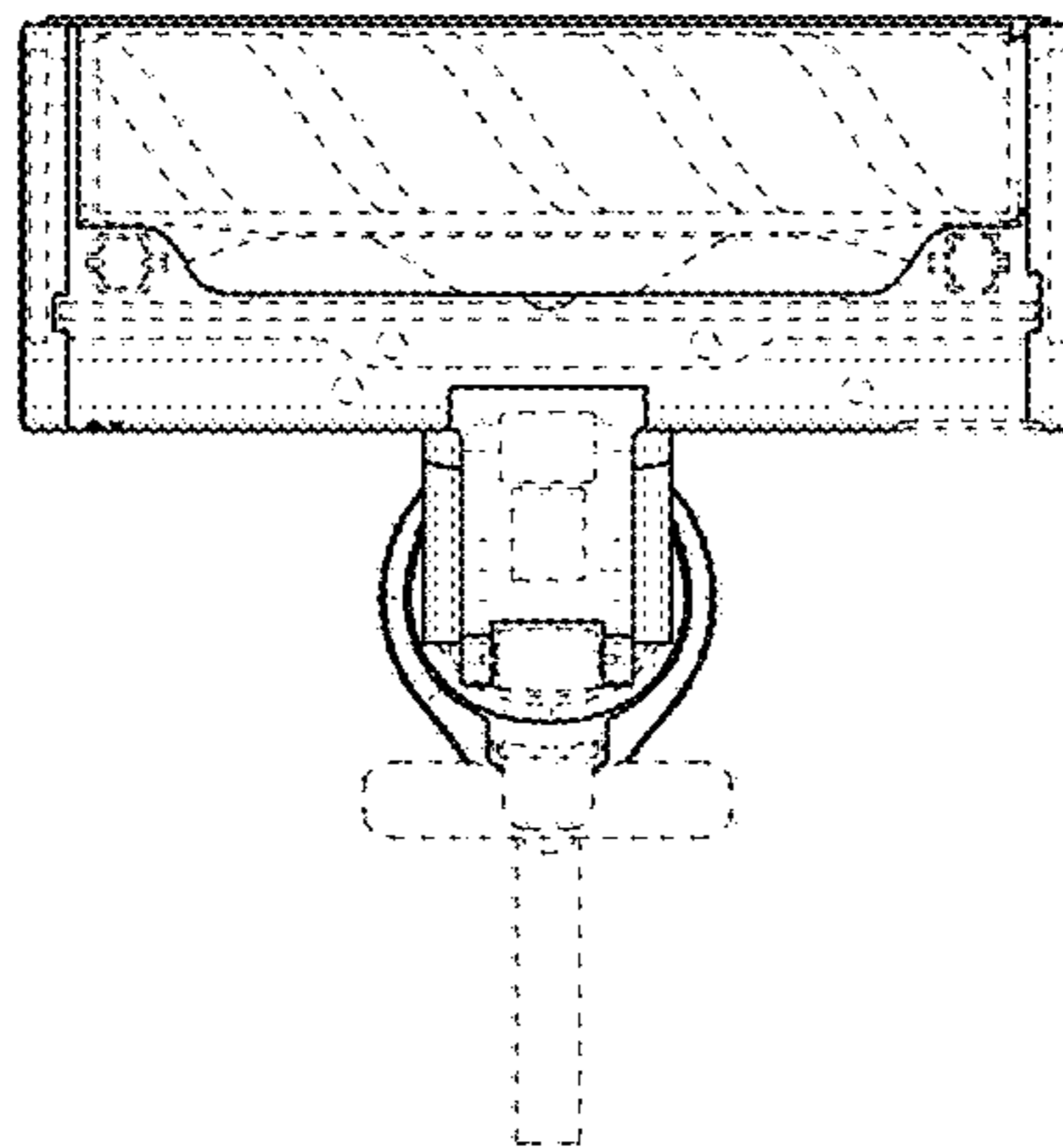


FIG. 16

