



US00D935711S

(12) **United States Design Patent**
Han et al.

(10) **Patent No.:** **US D935,711 S**

(45) **Date of Patent:** **** Nov. 9, 2021**

(54) **ROBOTIC VACUUM CLEANER**

(71) Applicant: **LG ELECTRONICS INC.**, Seoul
(KR)

(72) Inventors: **Jaehun Han**, Seoul (KR); **Jongil Park**,
Seoul (KR); **Jihyun Lim**, Seoul (KR)

(73) Assignee: **LG ELECTRONICS INC.**, Seoul
(KR)

(**) Term: **15 Years**

(21) Appl. No.: **29/725,520**

(22) Filed: **Feb. 25, 2020**

(30) **Foreign Application Priority Data**

Aug. 28, 2019 (KR) 30-2019-0041296

(51) **LOC (13) Cl.** **15-05**

(52) **U.S. Cl.**
USPC **D32/21**

(58) **Field of Classification Search**

USPC D32/21, 31; D21/526, 578; D8/70, 310,
D8/330; D10/37, 38, 50, 106.2, 106.5;
D13/108, 209; D23/254
CPC . A47L 5/08; A47L 5/30; A47L 7/0004; A47L
9/04; A47L 9/168; A47L 9/2805; A47L
9/2873; A47L 11/4011; A47L 11/4016;
A47L 11/4038; A47L 11/4041; A47L
11/4044; A47L 2201/02; A47L 2201/04;
A47L 2201/06; B25J 9/0003; B25J
9/1694; E04H 4/1636; G05D 1/0225;
G06N 3/008

See application file for complete search history.

(56) **References Cited**

U.S. PATENT DOCUMENTS

D505,519 S * 5/2005 Korba D28/85
D577,357 S * 9/2008 Poandl D14/216

7,996,051 B2 * 8/2011 Demuyneck H04M 1/0237
455/575.3

D649,129 S * 11/2011 Li D14/132
D736,294 S * 8/2015 Scalisi D16/203

(Continued)

FOREIGN PATENT DOCUMENTS

KR 300827701.0000 * 12/2015
WO D093713-001 * 8/2017

(Continued)

Primary Examiner — Dana K Weiland

Assistant Examiner — Jennylou M Binas

(74) *Attorney, Agent, or Firm* — Birch, Stewart, Kolasch
& Birch, LLP

(57) **CLAIM**

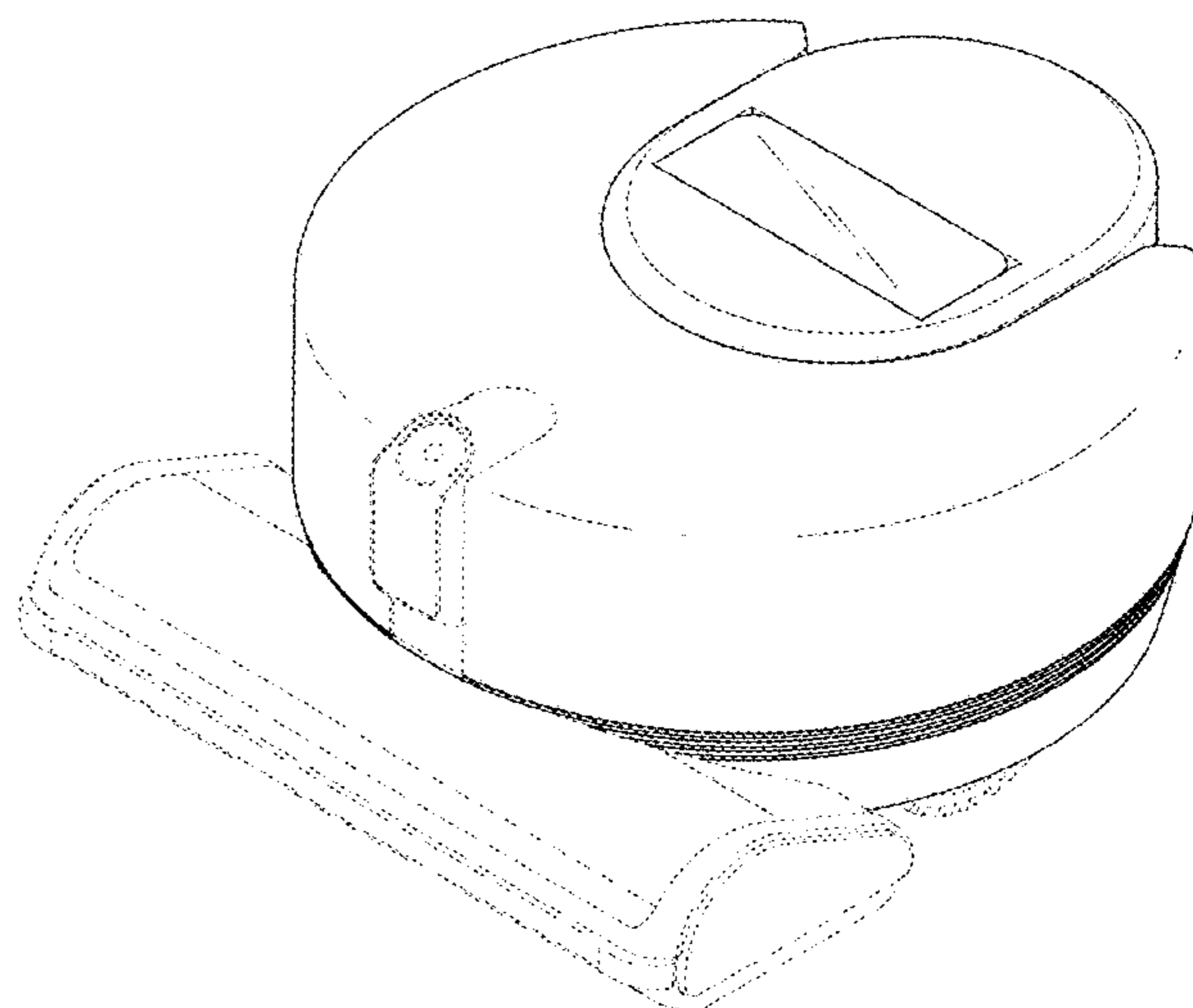
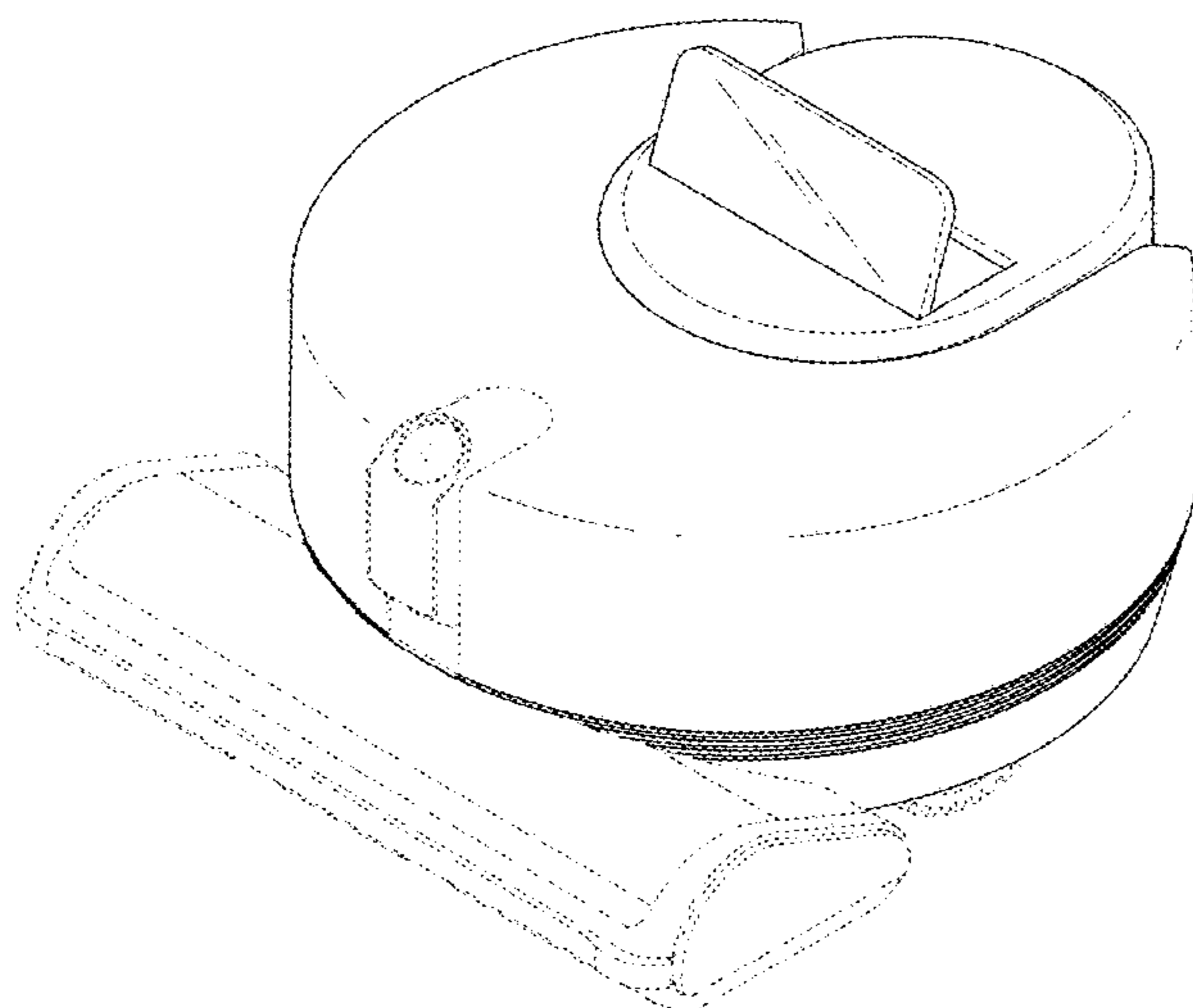
The ornamental design for a robotic vacuum cleaner, as
shown and described.

DESCRIPTION

FIG. 1 is a front, right side, perspective view of a robotic
vacuum cleaner showing our new design;
FIG. 2 is a front view thereof;
FIG. 3 is a rear view thereof;
FIG. 4 is a left side view thereof;
FIG. 5 is a right side view thereof;
FIG. 6 is a top view thereof;
FIG. 7 is a bottom view thereof;
FIG. 8 is a front, right side, perspective view of the robotic
vacuum cleaner lowered in an alternate configuration;
FIG. 9 is a front view thereof;
FIG. 10 is a rear view thereof;
FIG. 11 is a left side view thereof;
FIG. 12 is a right side view thereof;
FIG. 13 is a top view thereof; and,
FIG. 14 is a bottom view.

The broken lines indicate portions of the robotic vacuum
cleaner that form no part of the claimed design.

1 Claim, 14 Drawing Sheets



(56)

References Cited

U.S. PATENT DOCUMENTS

D783,911 S * 4/2017 Bu D32/21
 D786,604 S * 5/2017 Lira-Nunez D7/311
 D807,599 S * 1/2018 Nam D32/21
 D818,225 S * 5/2018 Nam D32/21
 D818,226 S * 5/2018 Nam D32/21
 D827,233 S * 8/2018 Nam D32/21
 D839,511 S * 1/2019 Nam D32/21
 D840,857 S * 2/2019 Scalisi D10/118.2
 D857,314 S * 8/2019 Vanderstegen-Drake D32/21
 D860,557 S * 9/2019 Gnielka D32/21
 D870,403 S * 12/2019 Ebrahimi Afrouzi D32/21
 D871,693 S * 12/2019 Ebrahimi Afrouzi D32/21
 D875,786 S * 2/2020 Fang D14/509
 10,568,480 B2 * 2/2020 Yim A47L 9/009
 D884,999 S * 5/2020 Ebrahimi Afrouzi D32/21
 D921,310 S * 6/2021 Kim D32/21
 2017/0332869 A1 * 11/2017 Nam A47L 11/4061
 2018/0113467 A1 * 4/2018 Kim A47L 9/2873
 2018/0184871 A1 * 7/2018 Sun A47L 11/4011
 2018/0188737 A1 * 7/2018 Won G05D 1/0234
 2018/0338661 A1 * 11/2018 Shin G01B 11/2513
 2018/0360281 A1 * 12/2018 Shin A47L 9/0494
 2019/0038107 A1 * 2/2019 Jang A47L 11/4061

2019/0208970 A1 * 7/2019 Suchman A47L 7/0038
 2019/0246857 A1 * 8/2019 Baek A47L 9/0477
 2019/0274510 A1 * 9/2019 Yang A47L 11/28
 2019/0339711 A1 * 11/2019 Kwak G05D 1/0293
 2020/0022552 A1 * 1/2020 Han A47L 9/2873
 2020/0054185 A1 * 2/2020 Kim A47L 11/4061
 2020/0229661 A1 * 7/2020 Yun A47L 9/0433
 2020/0383546 A1 * 12/2020 Kim A47L 9/009
 2021/0030243 A1 * 2/2021 Lee A47L 11/4038
 2021/0030249 A1 * 2/2021 Ko A47L 11/4075
 2021/0052124 A1 * 2/2021 Jun A47L 9/2805
 2021/0076893 A1 * 3/2021 Ahn A47L 11/4069
 2021/0093144 A1 * 4/2021 Shin G05D 1/0217
 2021/0093145 A1 * 4/2021 Kim A47L 9/102
 2021/0114220 A1 * 4/2021 Shin B25J 9/1692
 2021/0169295 A1 * 6/2021 Nam A47L 9/122
 2021/0186289 A1 * 6/2021 Park B25J 11/00
 2021/0186294 A1 * 6/2021 Ko A47L 11/4038
 2021/0212541 A1 * 7/2021 Sung A47L 9/2826

FOREIGN PATENT DOCUMENTS

WO D208788-001 * 8/2020
 WO D209300-001 * 8/2020

* cited by examiner

FIG. 1

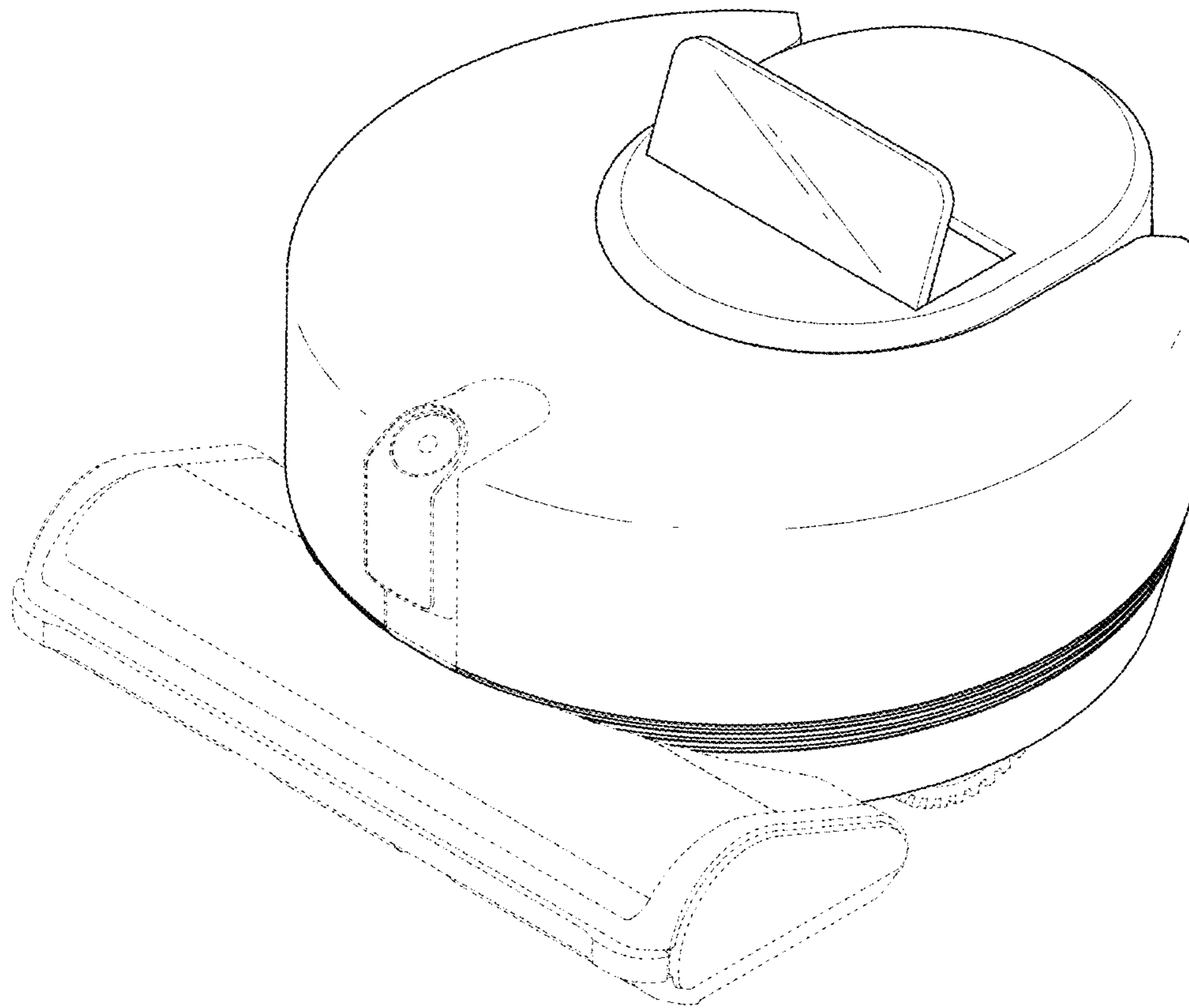


FIG. 2

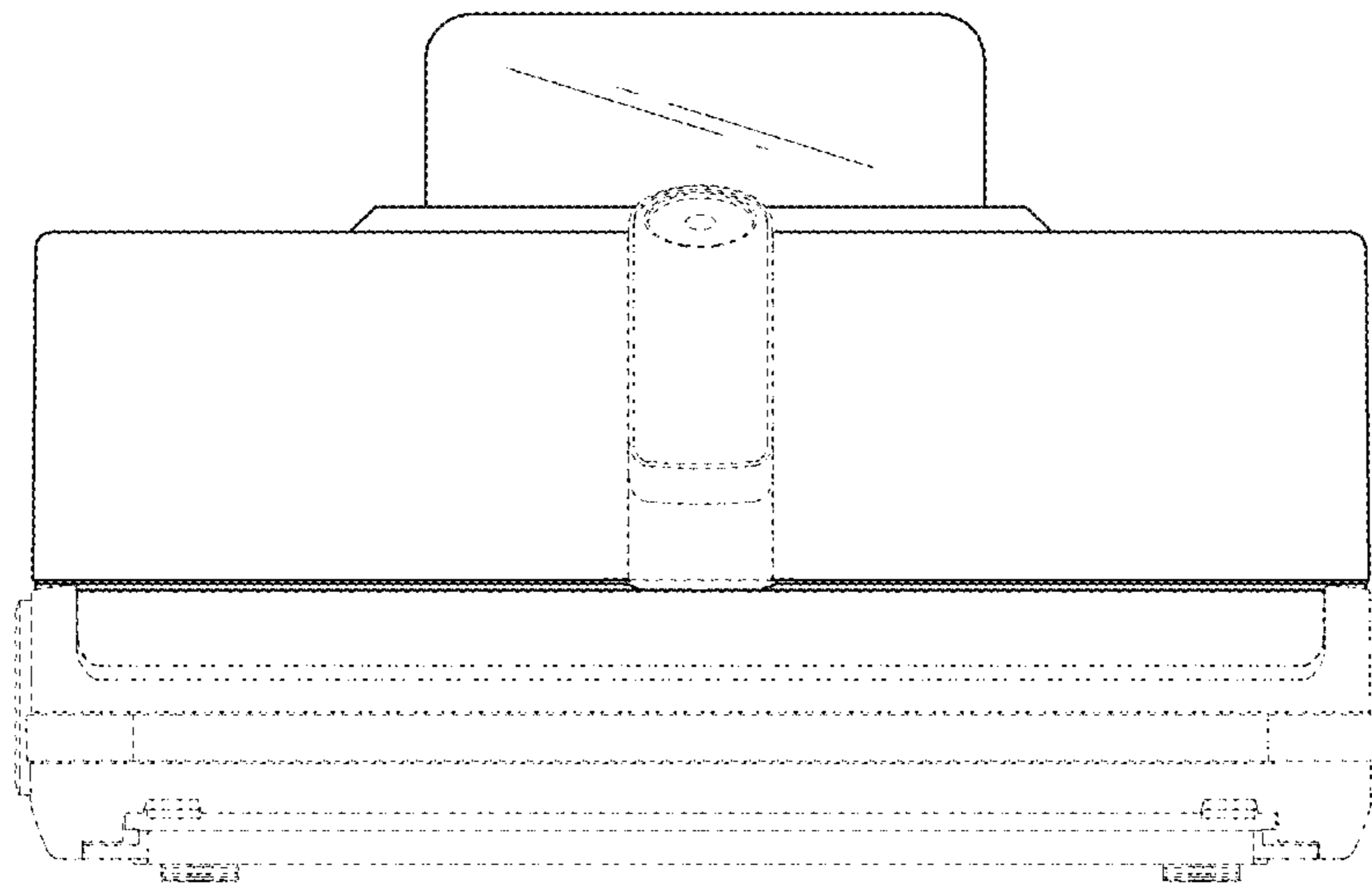


FIG. 3

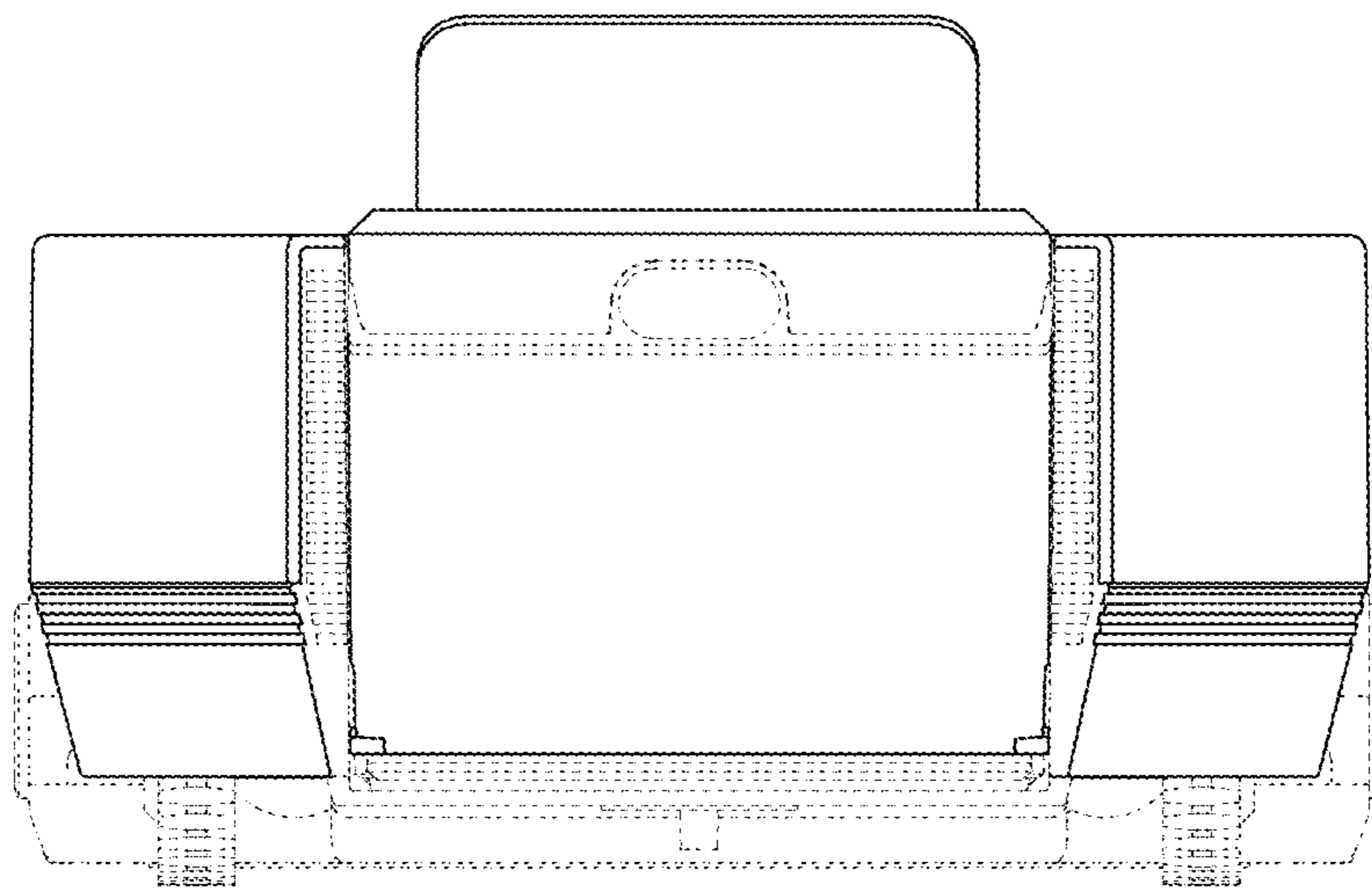


FIG. 4

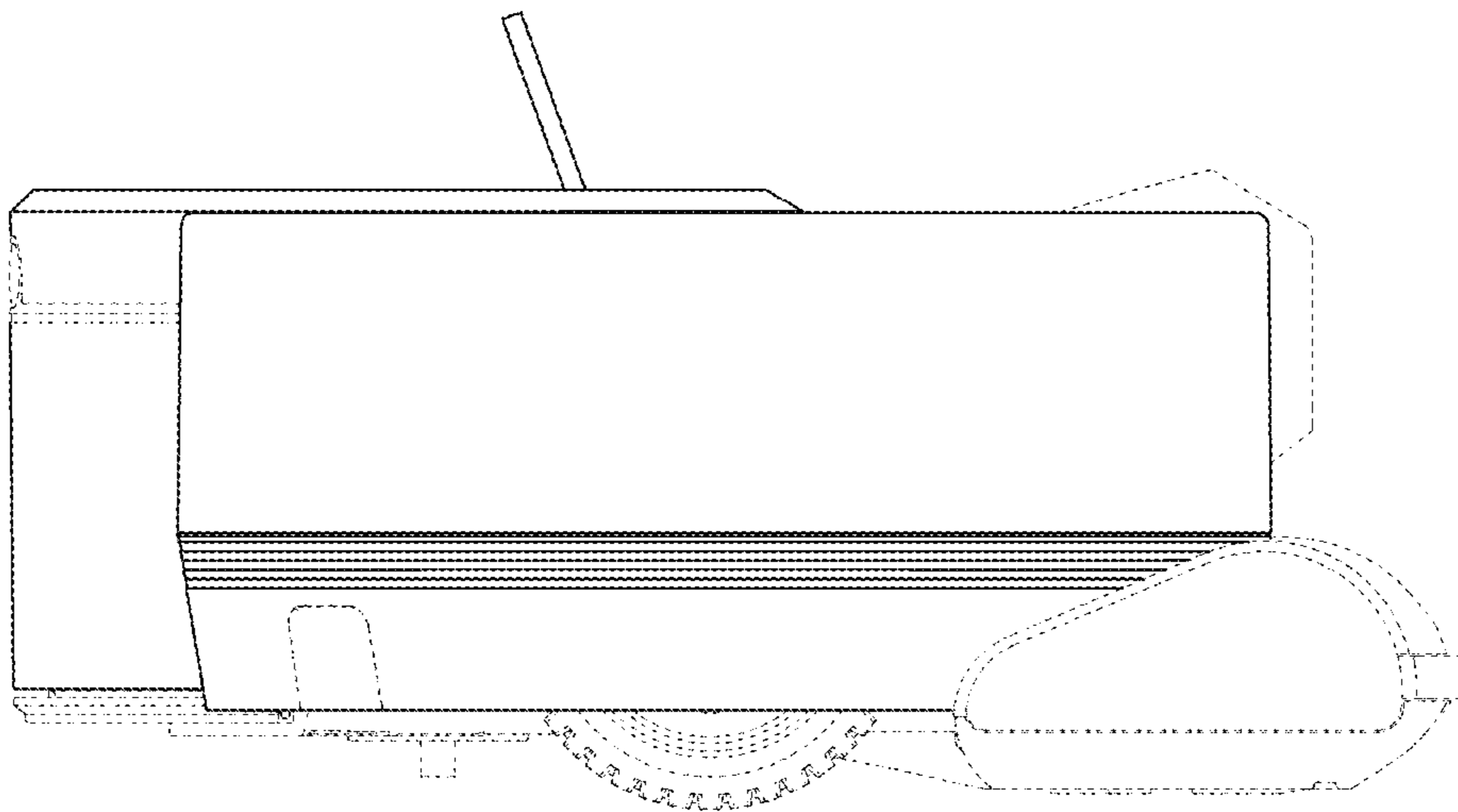


FIG. 5

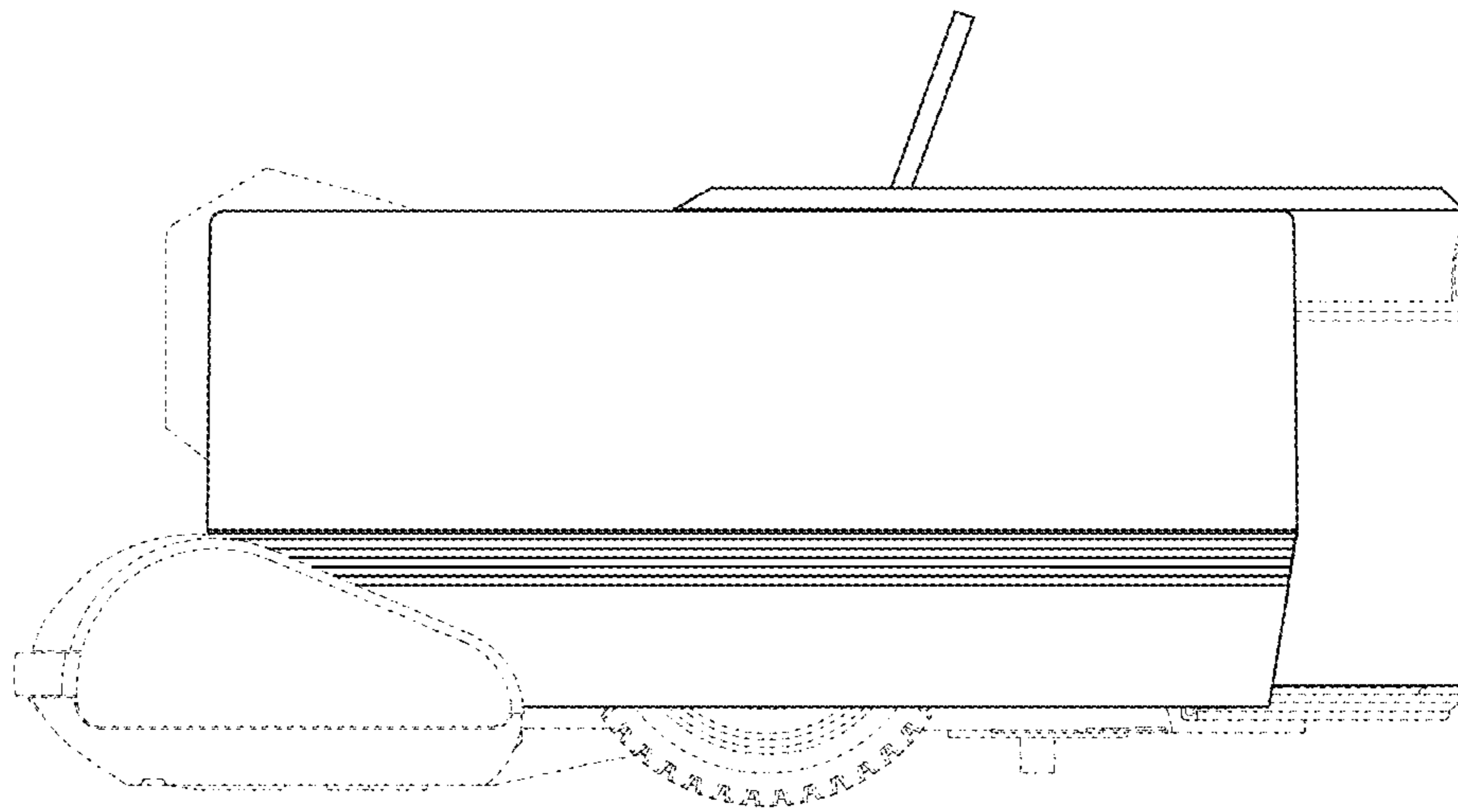


FIG. 6

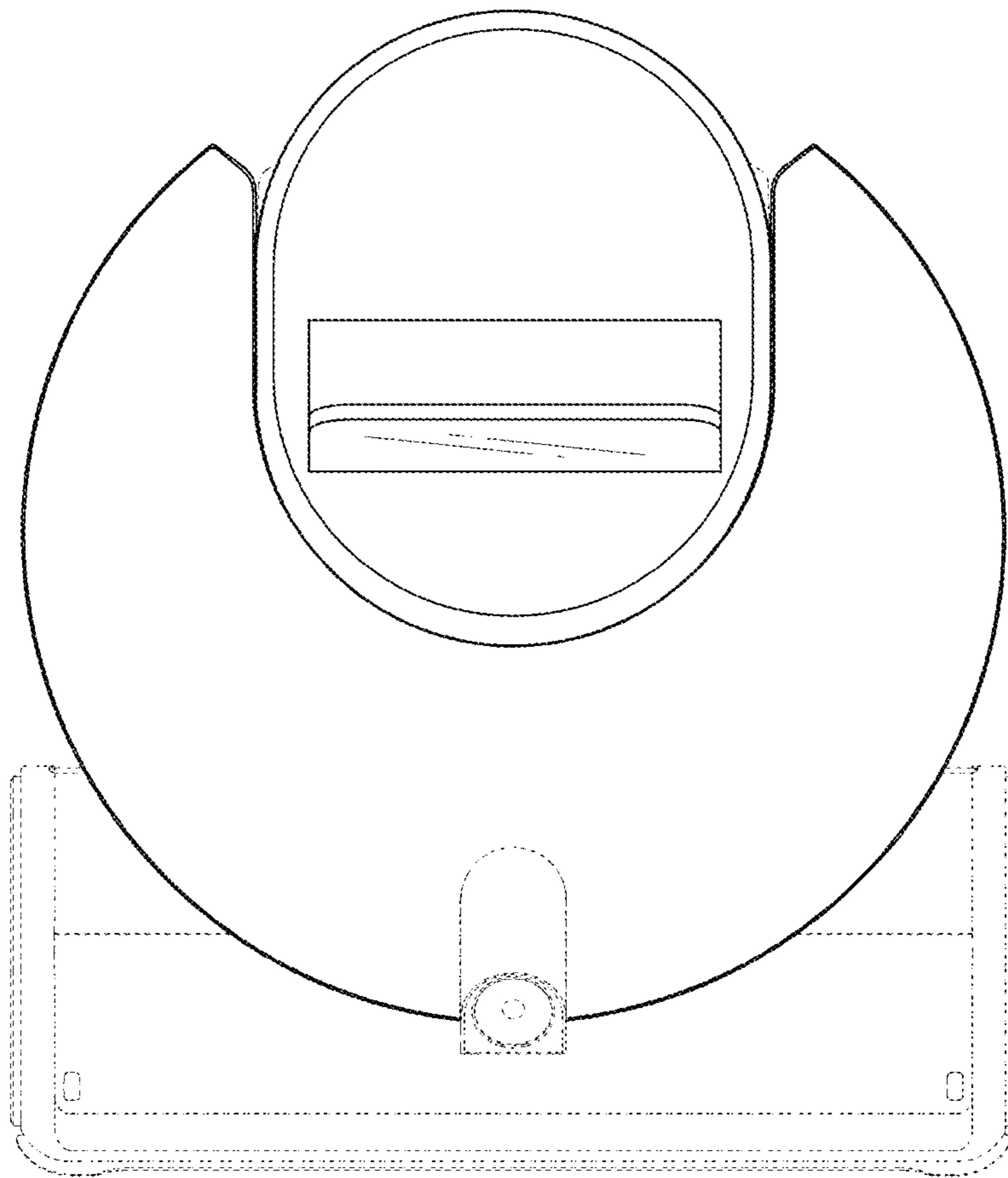


FIG. 7

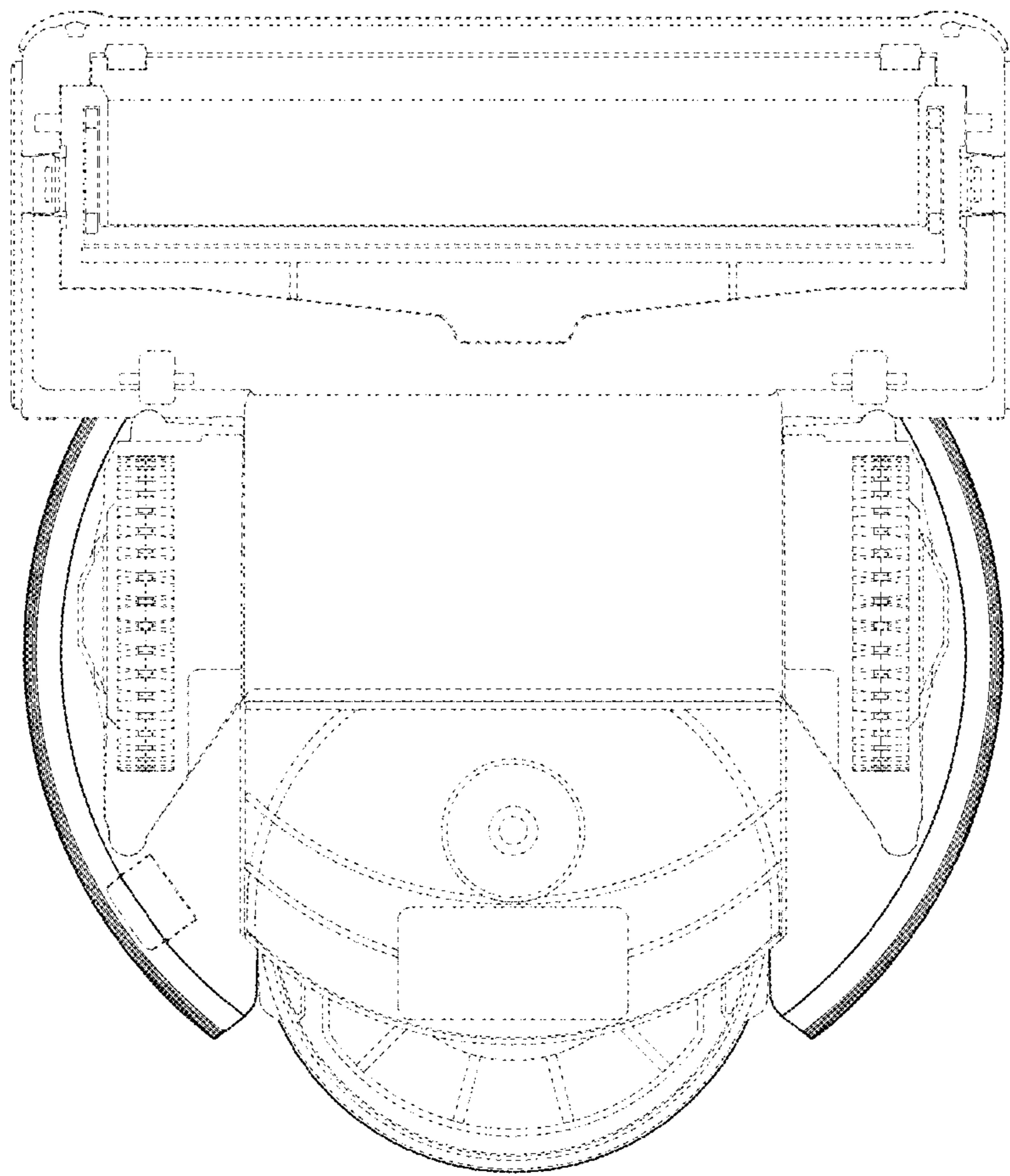


FIG. 8

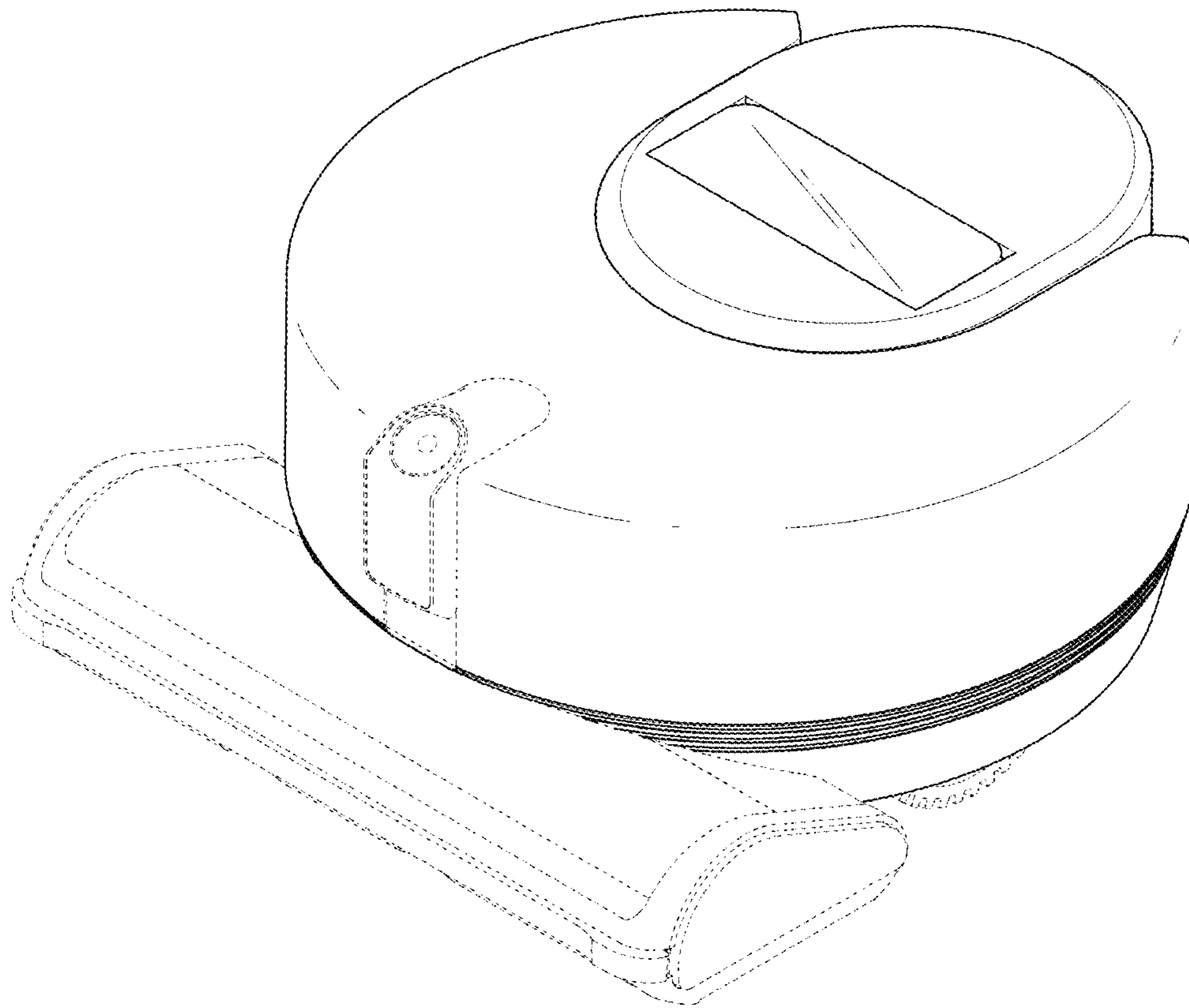


FIG. 9

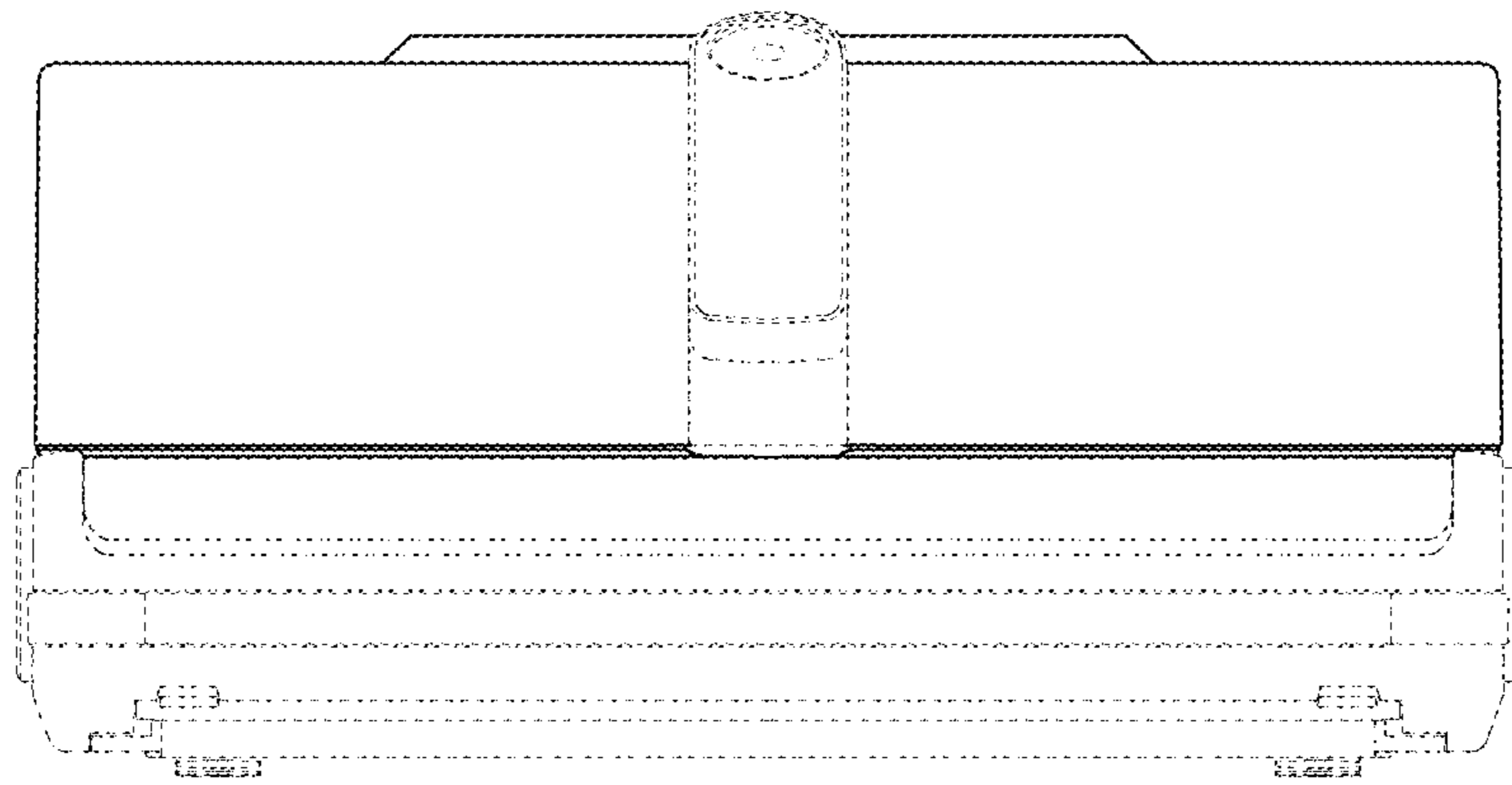


FIG. 10

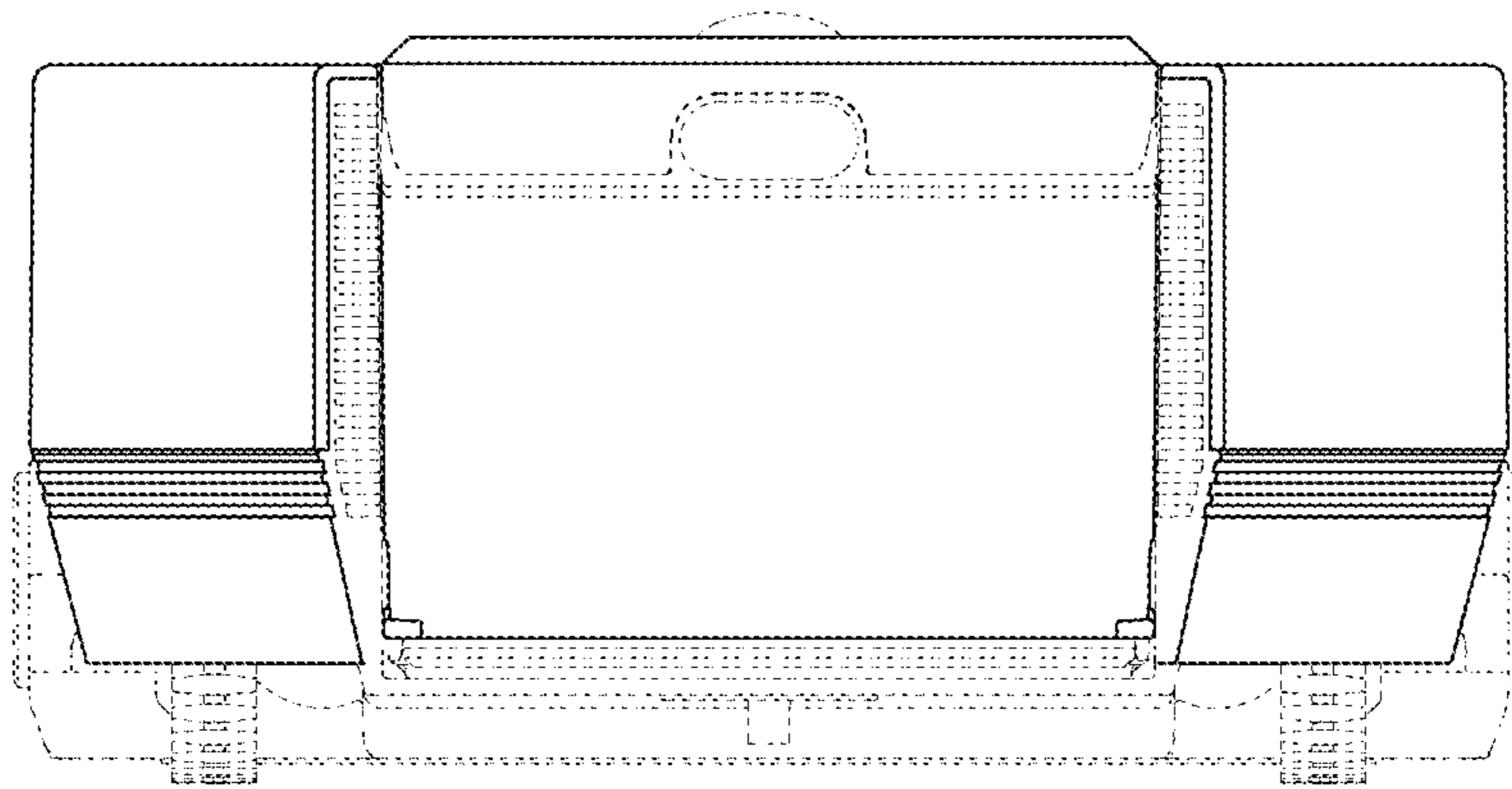


FIG. 11

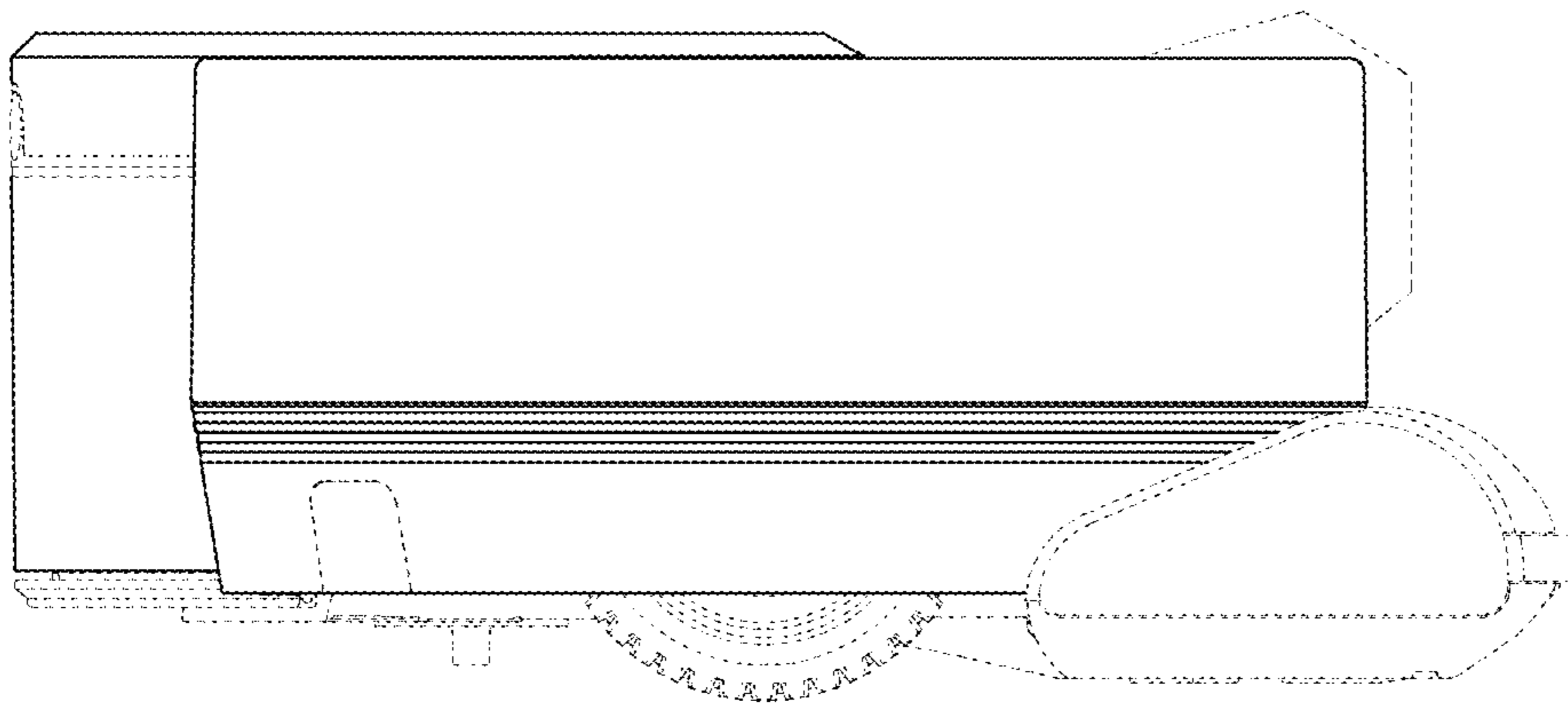


FIG. 12

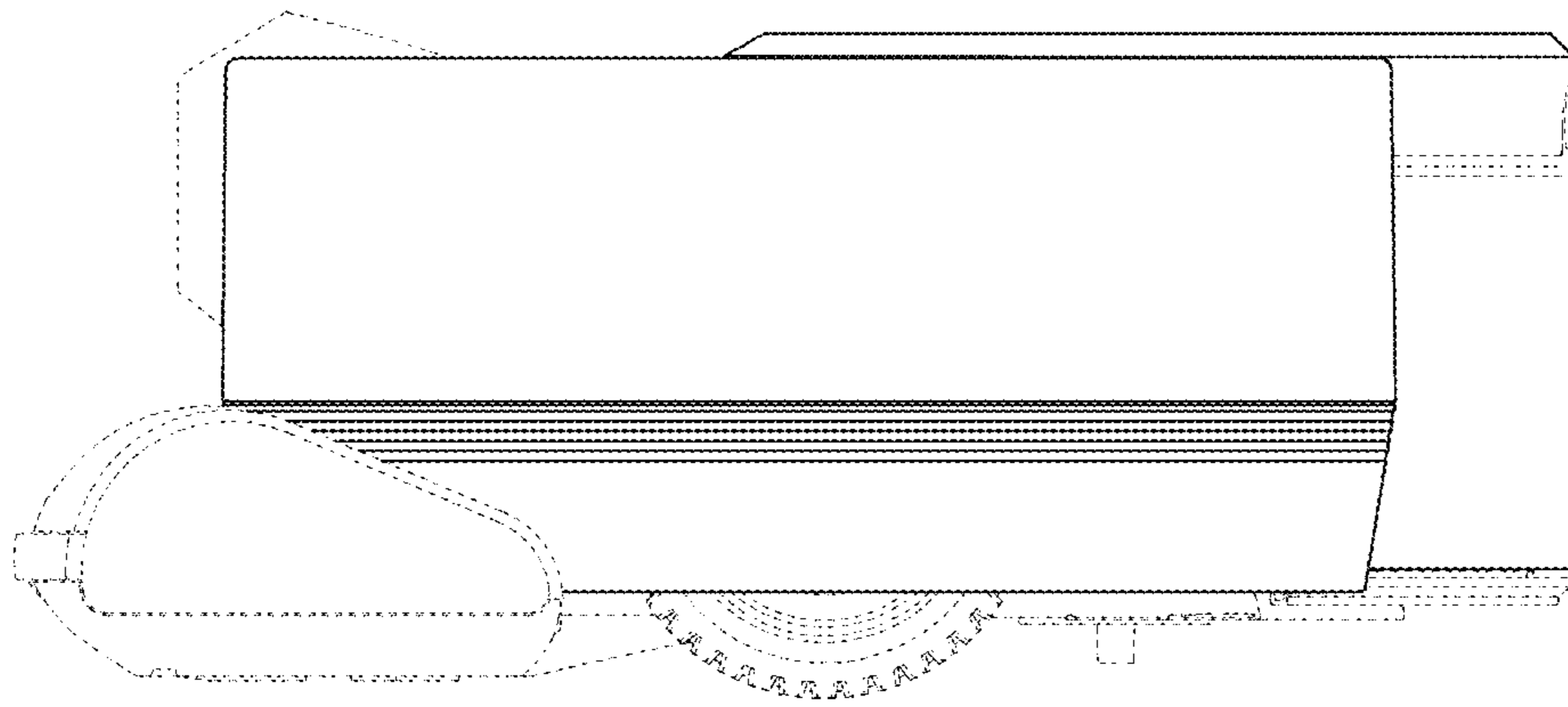


FIG. 13

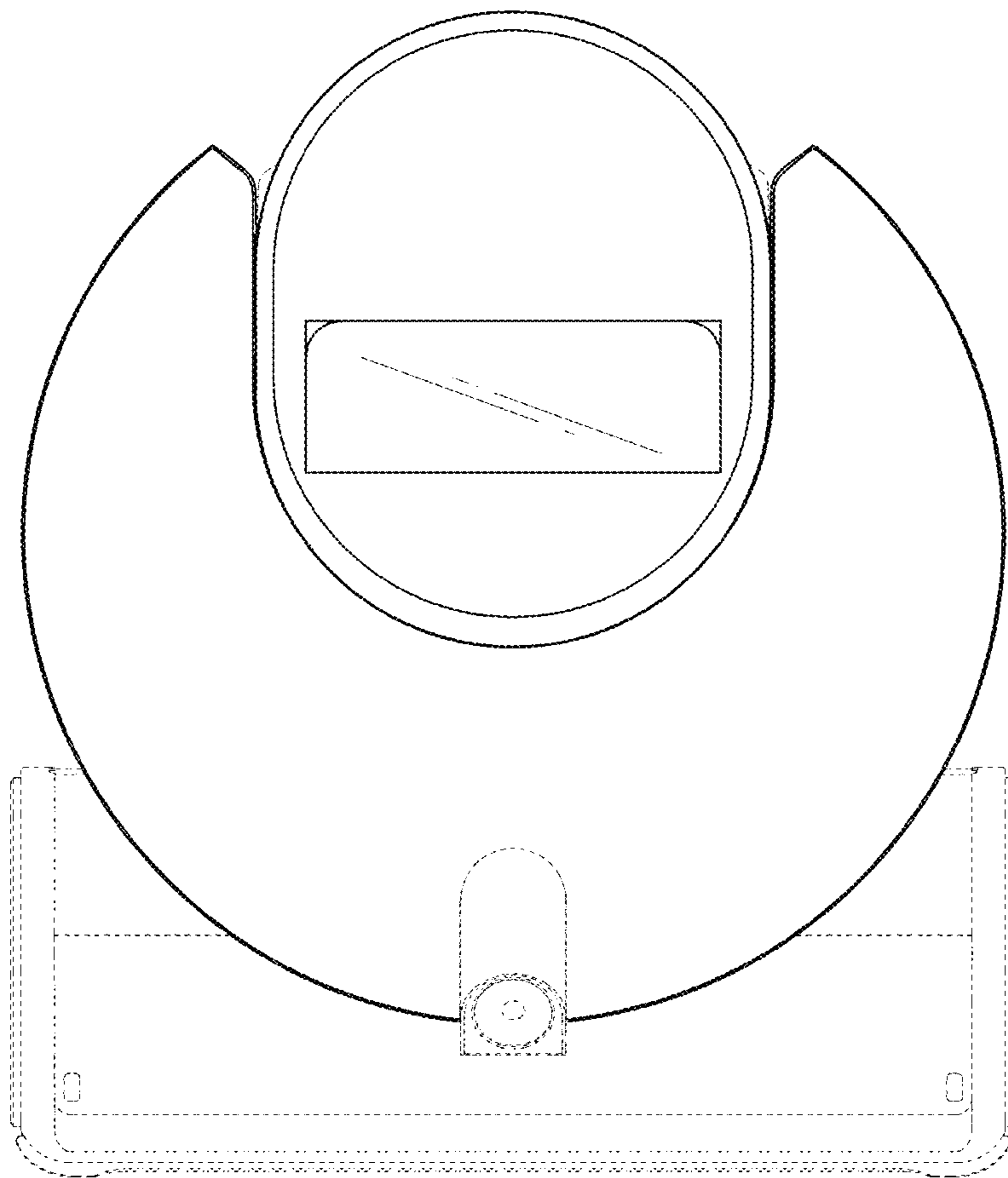


FIG. 14

