



US00D935709S

(12) **United States Design Patent** (10) **Patent No.:** **US D935,709 S**
Protet (45) **Date of Patent:** **** Nov. 9, 2021**

(54) **STEAMER APPARATUS**
(71) Applicant: **Calor**, Ecully (FR)
(72) Inventor: **David Protet**, Auxerre (FR)
(73) Assignee: **CALOR**, Ecully (FR)
(**) Term: **15 Years**
(21) Appl. No.: **29/673,618**
(22) Filed: **Dec. 17, 2018**
(30) **Foreign Application Priority Data**

D561,958 S 2/2008 Hahn
D580,607 S 11/2008 Tobias
D592,368 S 5/2009 Massip
D599,511 S 9/2009 Massip
D607,620 S 1/2010 Massip
D623,365 S 9/2010 Ediger
D623,366 S 9/2010 Ediger
D652,185 S 1/2012 Mu
8,091,747 B2 1/2012 Haan
D657,100 S 4/2012 Ediger
D659,919 S 5/2012 Lin
8,205,363 B2 6/2012 Lin
D663,496 S 7/2012 Ediger
D670,044 S 10/2012 Andreesen
8,387,291 B2 3/2013 Compeau
D695,473 S * 12/2013 Ediger D32/17
D697,277 S 1/2014 Massip
D707,000 S * 6/2014 Massip D32/17

(Continued)

Jun. 18, 2018 (EM) 005314176-0001

(51) **LOC (13) Cl.** **15-05**
(52) **U.S. Cl.**
USPC **D32/17**
(58) **Field of Classification Search**
USPC D32/1, 15-16, 17, 18, 21, 22, 31-34, 68,
D32/70, 71, 73
CPC D06F 87/00; D06F 75/30; D06F 75/12;
D06F 75/20; D06F 73/00; D06F 59/02;
D06F 59/08; A41L 5/24; A47L 5/24;
A47L 5/362; A47L 15/28; A47L 9/325;
A47L 9/2857; A47L 9/1427; A47L 15/14;
A47L 9/2884; A47L 9/1666; A47L
9/1683; A47L 9/1625; A47L 9/22; B01D
50/002; B01D 45/12; B01D 46/4254;
B01D 46/10

See application file for complete search history.

(56) **References Cited**
U.S. PATENT DOCUMENTS

4,894,935 A 1/1990 Kretz
5,609,047 A 3/1997 Hellman, Jr.
6,182,870 B1 2/2001 Seissler
D451,653 S 12/2001 Berreth
D499,517 S 12/2004 Chen

Primary Examiner — Manpreet S Matharu
Assistant Examiner — Yolanda Robinson
(74) *Attorney, Agent, or Firm* — Loeb & Loeb LLP

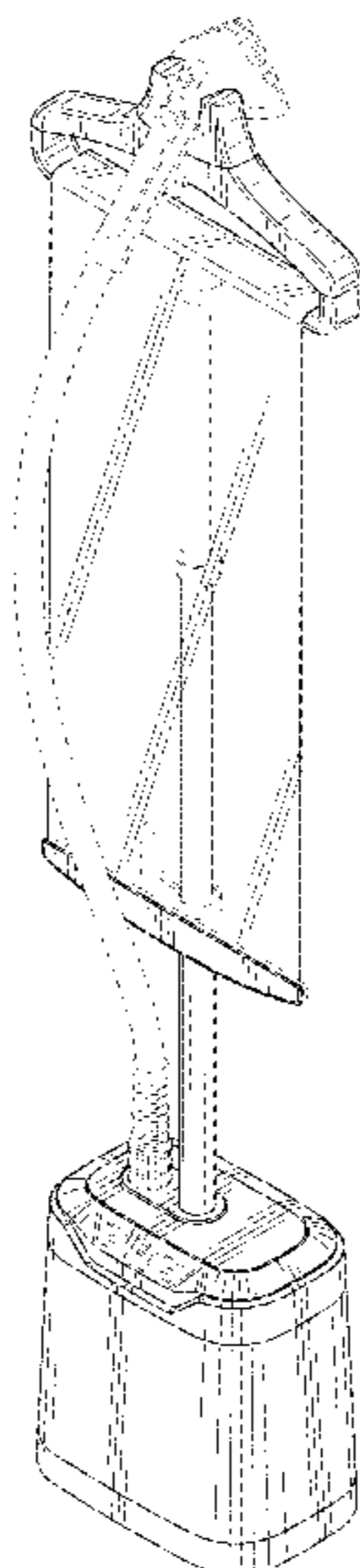
(57) **CLAIM**

The ornamental design for a steamer apparatus, as shown and described.

DESCRIPTION

FIG. 1 is a perspective view of a steamer apparatus showing my new design;
FIG. 2 is a front elevational view thereof;
FIG. 3 is a rear elevational view thereof;
FIG. 4 is a right side elevational view thereof;
FIG. 5 is a left side elevational view thereof;
FIG. 6 is a top view thereof;
FIG. 7 is a bottom view thereof; and,
FIG. 8 is another perspective view of the steamer apparatus with the only difference being the removal of the hose and steamer head shown in broken lines.
The broken lines shown in the steamer apparatus are for portions that forms no part of the claimed design.

1 Claim, 7 Drawing Sheets



(56)

References Cited

U.S. PATENT DOCUMENTS

8,950,031	B1	2/2015	Jaramillo	
D770,104	S *	10/2016	Koehler	D32/17
9,493,905	B2	11/2016	Ducruet	
9,562,315	B2	2/2017	Al-Harhi	
D788,397	S *	5/2017	Tan	D32/73
D798,008	S	9/2017	Malatray	
9,816,224	B2	11/2017	Chua	
9,822,480	B2	11/2017	Fung	
D825,121	S	7/2018	Kahn	
D828,654	S *	9/2018	Yao	D32/1
D841,265	S	2/2019	Desagre	
D855,268	S *	7/2019	Desagre	D32/17
2006/0188239	A1	4/2006	Carlucci	
2009/0255302	A1 *	10/2009	Haan	D06F 73/00 68/222
2011/0146116	A1	6/2011	Compeau	
2013/0086954	A1 *	4/2013	Zhang	D06F 75/20 68/5 B
2013/0276485	A1	10/2013	Lam	
2014/0082978	A1	3/2014	Jiebo	
2014/0345334	A1	11/2014	Chua	
2014/0373402	A1	12/2014	Zhang	
2015/0114048	A1	4/2015	Ducruet	
2015/0204007	A1	7/2015	Lim	
2015/0252518	A1	9/2015	Fung	
2015/0345073	A1	12/2015	Al-Zahrani	
2017/0321371	A1 *	11/2017	Kuan	D06F 81/08

* cited by examiner

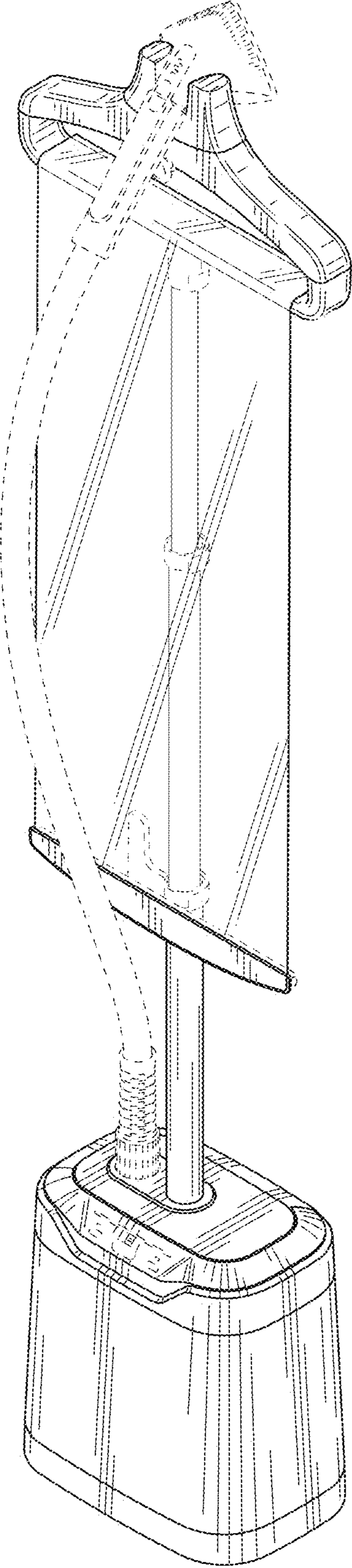


FIG. 1

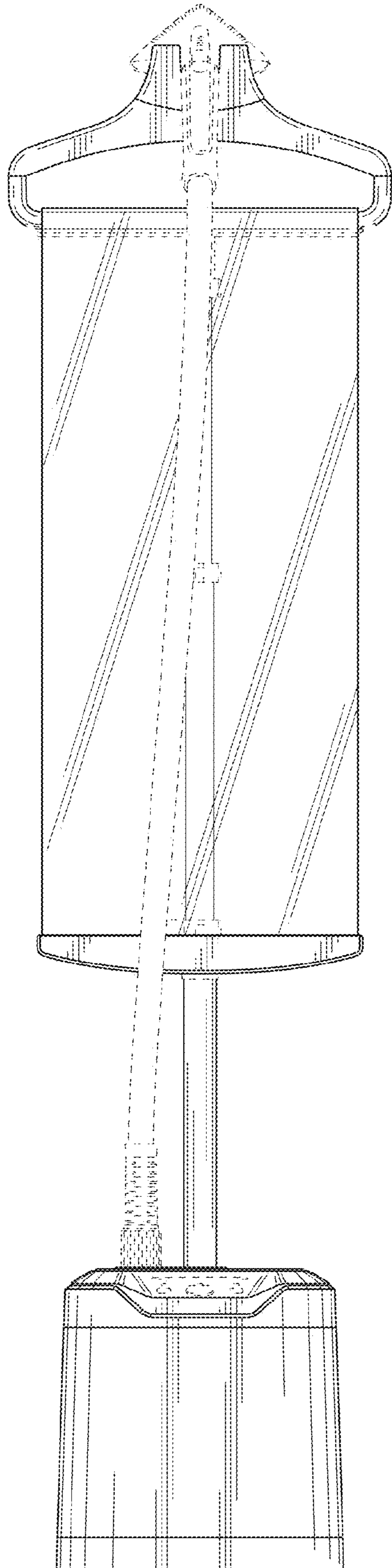


FIG. 2

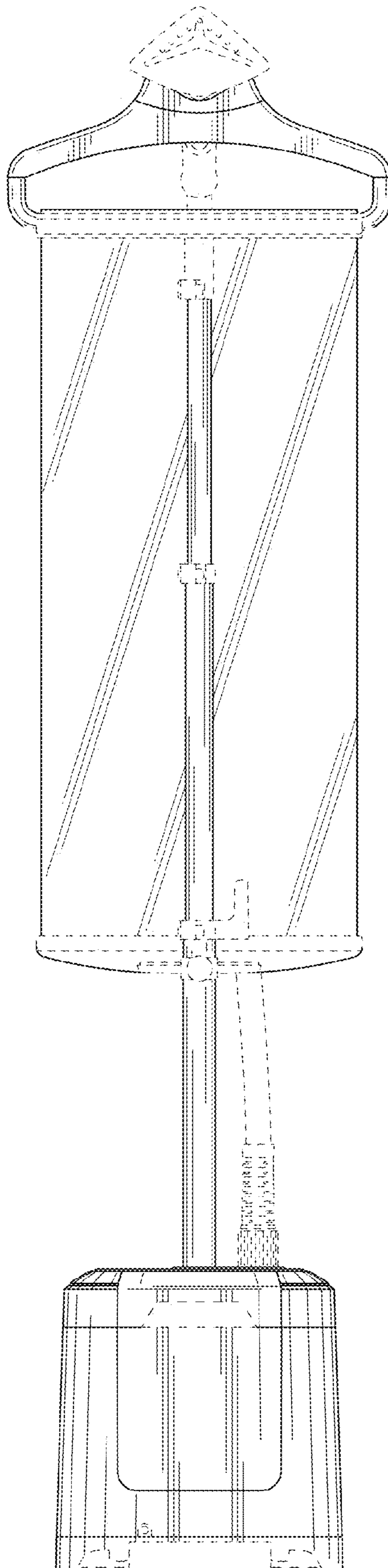


FIG. 3

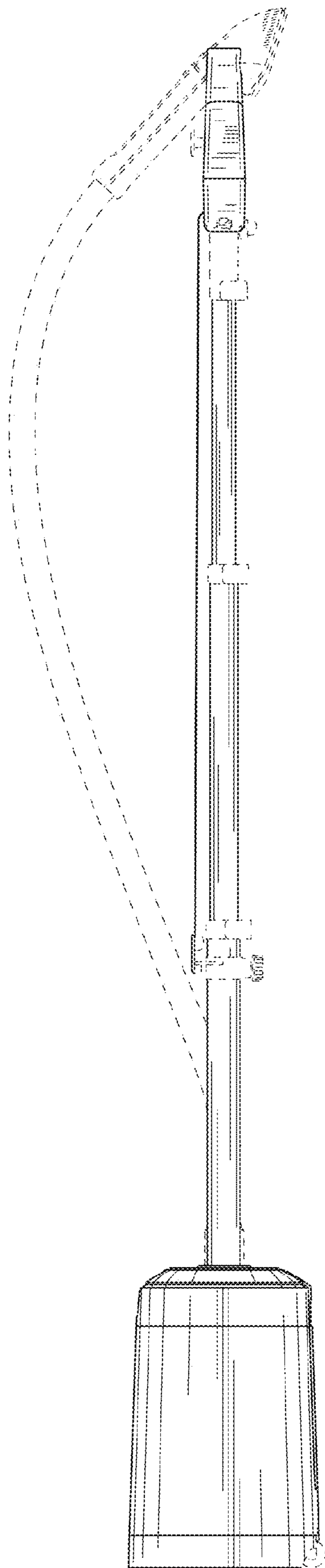


FIG. 4

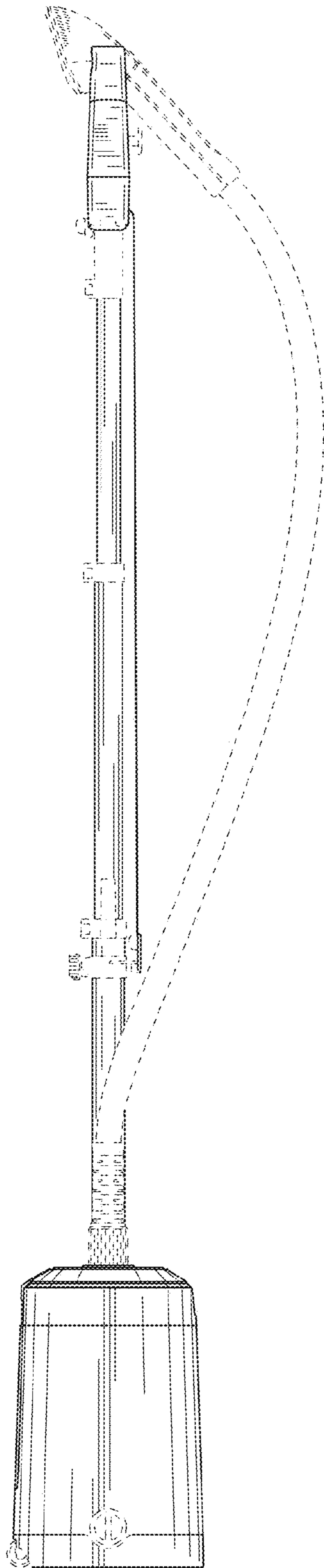


FIG. 5

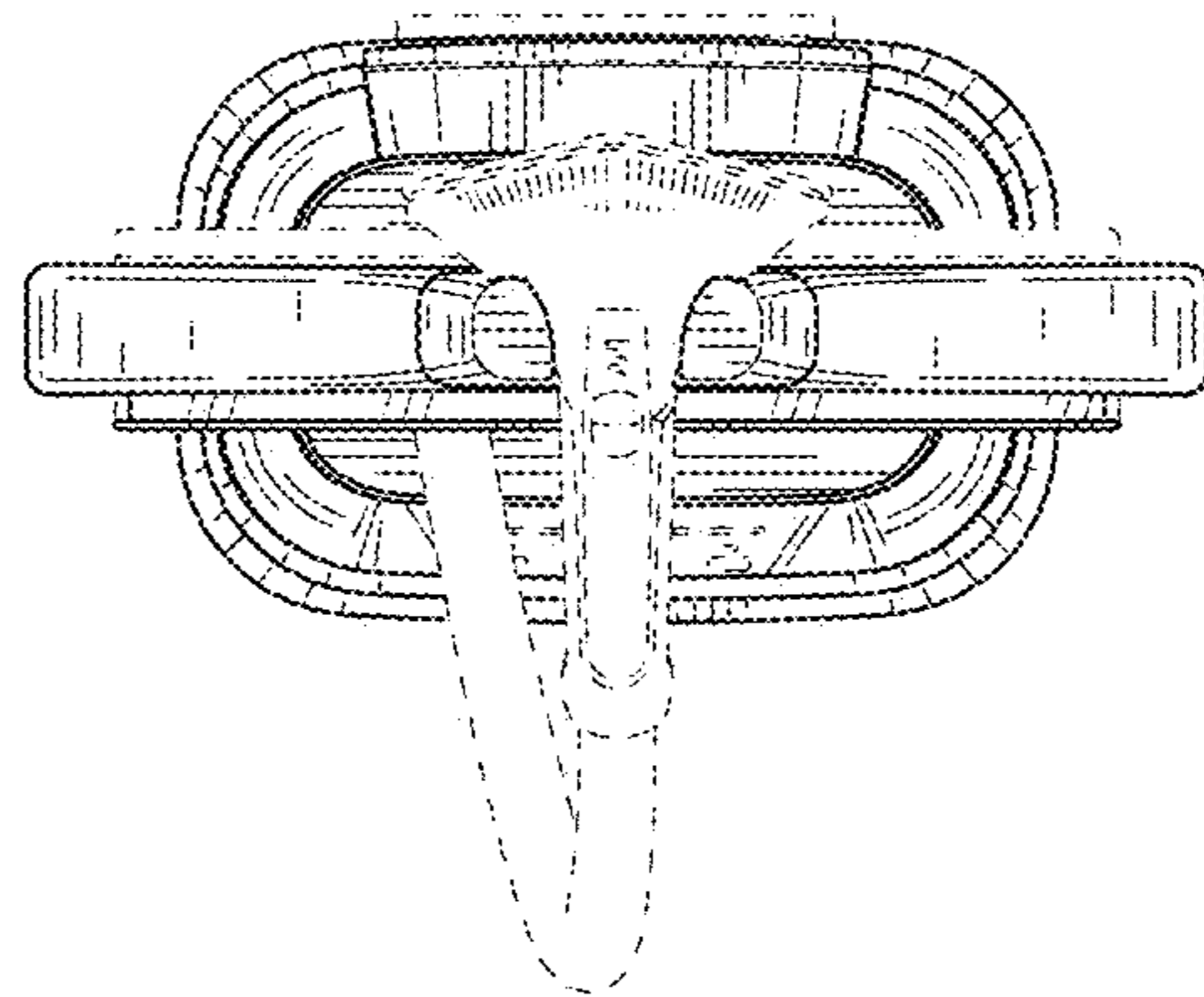


FIG. 6

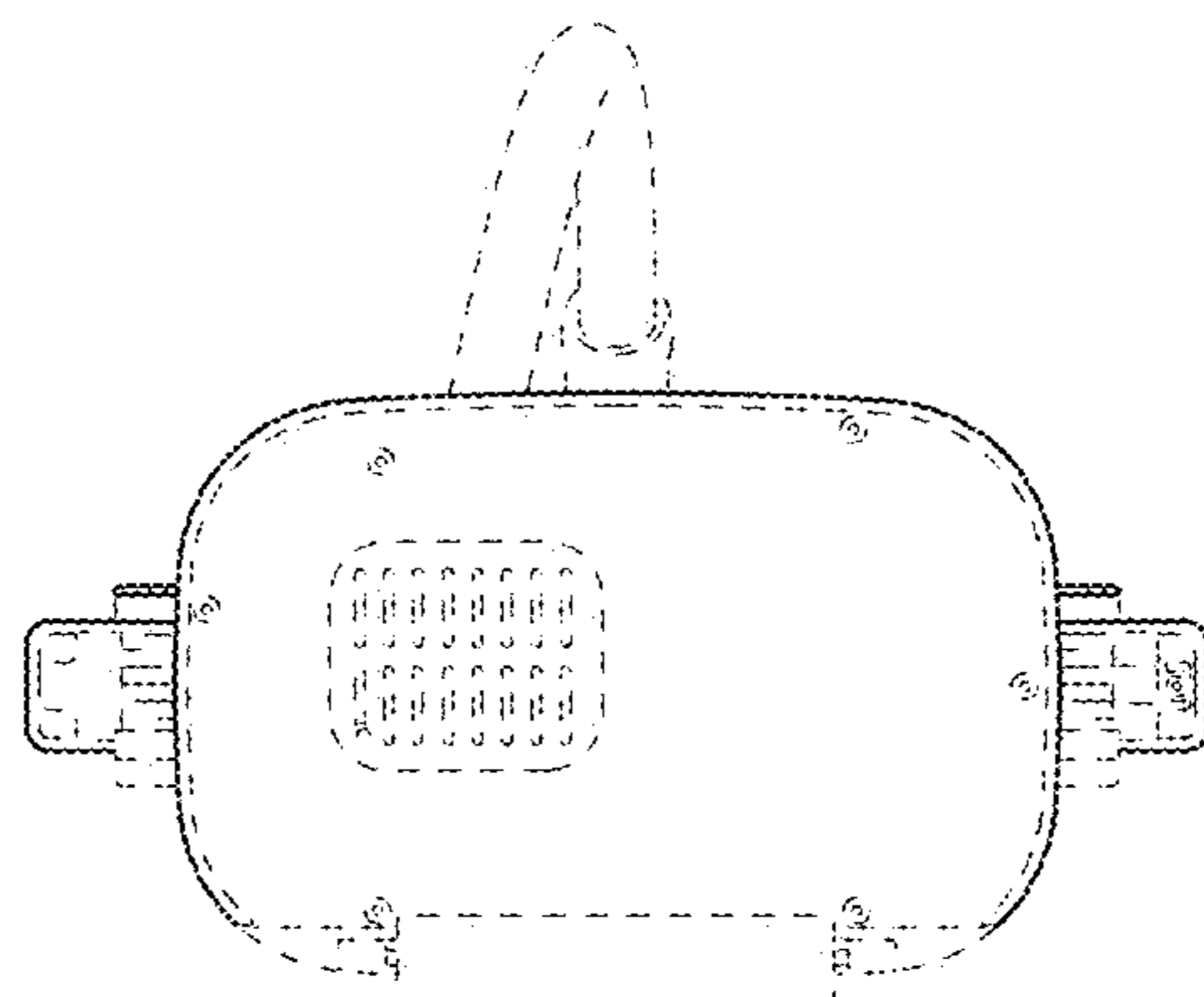


FIG. 7

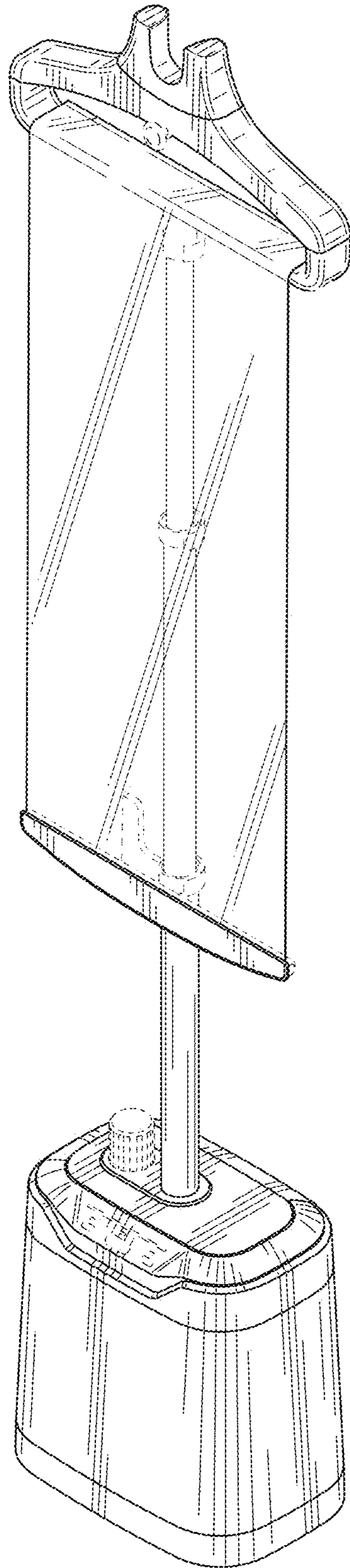


FIG. 8