



US00D935705S

(12) **United States Design Patent**  
**Sun**

(10) **Patent No.:** **US D935,705 S**

(45) **Date of Patent:** **\*\* Nov. 9, 2021**

(54) **ADJUSTABLE PET FEEDER**

(71) Applicant: **Yuli Sun**, Qingdao (CN)

(72) Inventor: **Yuli Sun**, Qingdao (CN)

(\*\*) Term: **15 Years**

(21) Appl. No.: **29/772,950**

(22) Filed: **Mar. 5, 2021**

(51) **LOC (13) Cl.** ..... **30-03**

(52) **U.S. Cl.**

USPC ..... **D30/133**; D30/121; D30/131

(58) **Field of Classification Search**

USPC ..... D30/133, 121, 128, 130, 132, 122, 129;  
119/52.1, 55, 61.5–61.56, 51.01, 51.03,  
119/59, 62, 63, 51.5, 57.8, 74, 61;  
D6/480–485; 248/188, 151; 312/204;  
108/153.1–157, 25–26; 220/23.87, 630,  
220/737, 743, 9.4, 495.01, 574, 212, 255,  
220/23.83, 57, 5; 206/515, 557, 560,  
206/562, 563, 565; D7/586, 543, 550.1,  
D7/587, 505, 584, 545, 500, 553.1–553.8,  
D7/546, 555, 556, 504, 565, 562, 602,  
D7/507, 549, 558, 552.2, 560, 566, 548,  
D7/681; D9/429; 43/109; D22/122;  
99/430, DIG. 15

CPC ..... A01K 5/00; A01K 5/01; A01K 5/0107;  
A01K 5/0114; A01K 5/0121; A01K  
5/0128; A01K 5/0135; A01K 7/005

See application file for complete search history.

(56) **References Cited**

**U.S. PATENT DOCUMENTS**

D358,158 S \* 5/1995 Bush ..... D16/222  
D424,759 S \* 5/2000 Sipka ..... D30/130  
9,226,478 B1 \* 1/2016 Uhl ..... A01K 7/00

9,288,967 B1 \* 3/2016 Wampler ..... A01K 5/0114  
D777,993 S \* 1/2017 Green ..... D30/133  
D787,135 S \* 5/2017 Green ..... D30/133  
D800,396 S 10/2017 Coviello  
D830,647 S \* 10/2018 Le ..... D30/133  
10,149,456 B2 \* 12/2018 Diamond ..... A01K 5/0114  
D846,816 S \* 4/2019 Tsengas ..... A01K 7/00  
D30/133  
10,548,294 B1 \* 2/2020 Price ..... F16M 11/2092  
D884,431 S \* 5/2020 Chiang ..... D7/554.3  
D888,347 S \* 6/2020 Price ..... D30/133  
10,701,896 B1 \* 7/2020 Tsengas ..... A01K 5/0114  
D903,209 S \* 11/2020 Jiang ..... D30/133  
2010/0107984 A1 \* 5/2010 Uffner ..... A01K 5/0128  
119/61.5  
2017/0105386 A1 \* 4/2017 Wu ..... A01K 5/0114  
2018/0317448 A1 \* 11/2018 Yang ..... F16M 11/38  
2018/0343826 A1 \* 12/2018 Kumar ..... A01K 5/0135

\* cited by examiner

*Primary Examiner* — Susan Moon Lee

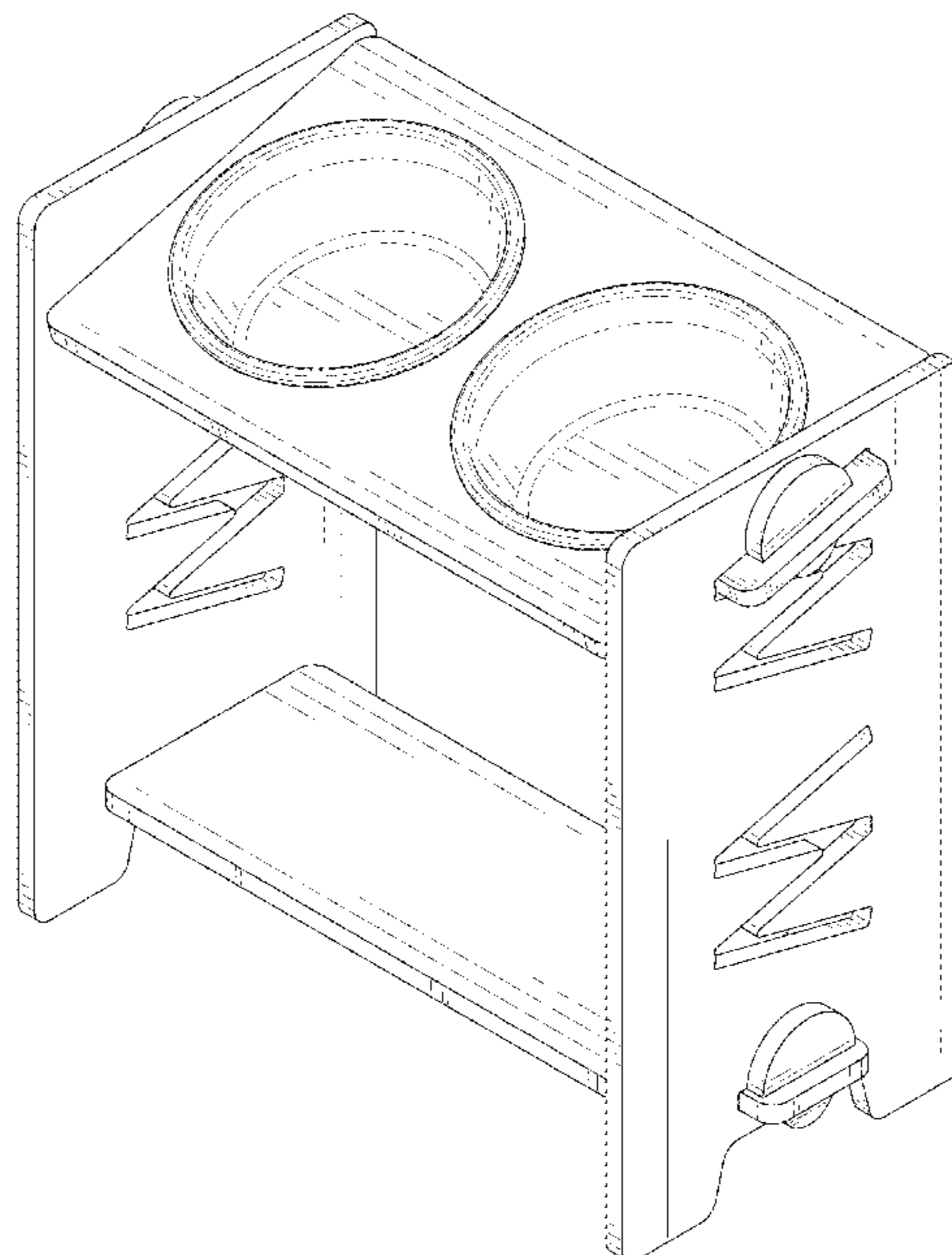
(57) **CLAIM**

The ornamental design for an adjustable pet feeder, as shown and described.

**DESCRIPTION**

FIG. 1 is a front and top perspective view of an adjustable pet feeder, showing my new design;  
FIG. 2 is a rear and bottom perspective view thereof;  
FIG. 3 is a front elevation view thereof;  
FIG. 4 is a rear elevation view thereof;  
FIG. 5 is a left side elevation view thereof;  
FIG. 6 is a right side elevation view thereof;  
FIG. 7 is a top plan view thereof;  
FIG. 8 is a bottom plan view thereof; and,  
FIG. 9 is another perspective view thereof, shown in an alternative position.

**1 Claim, 9 Drawing Sheets**



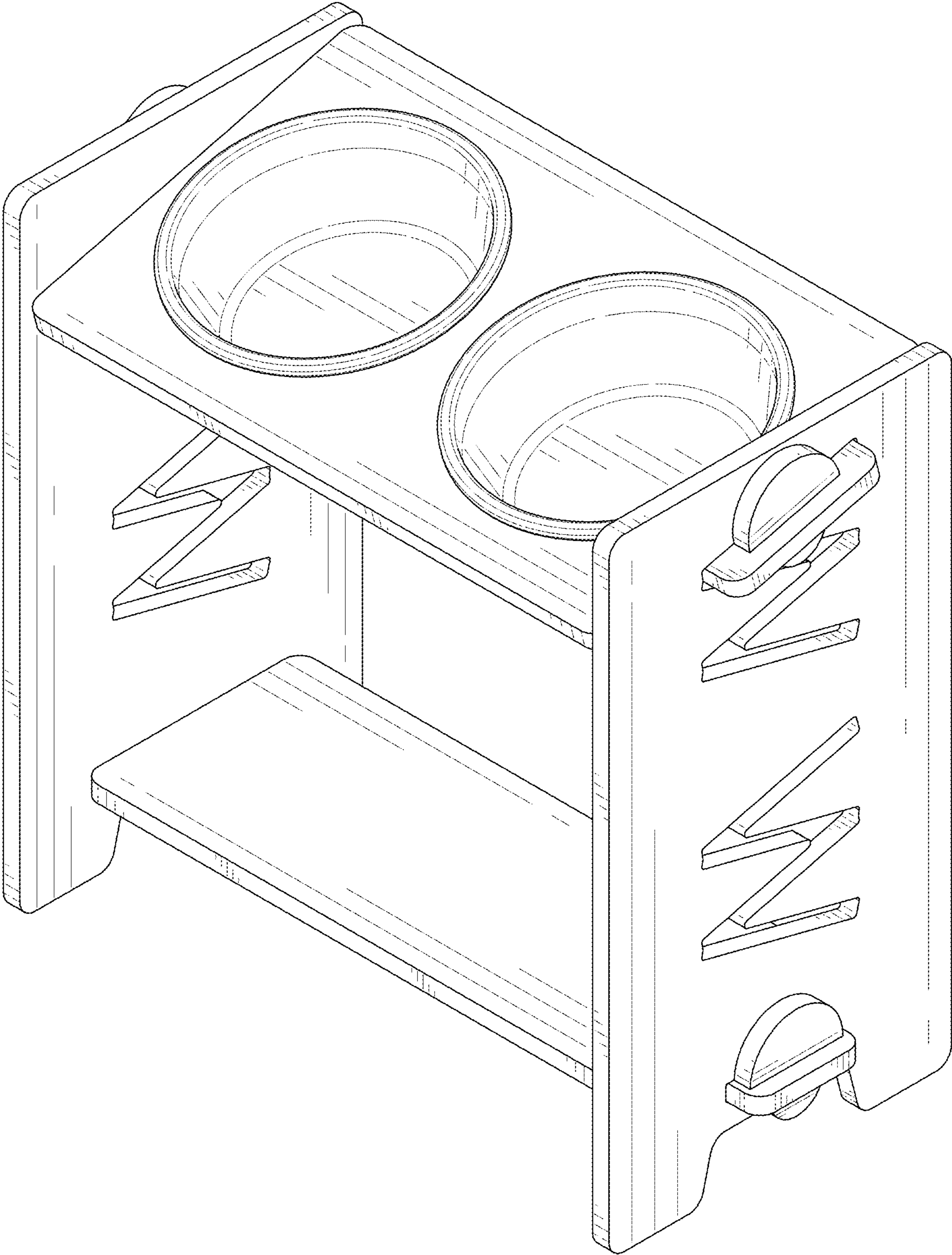


FIG. 1

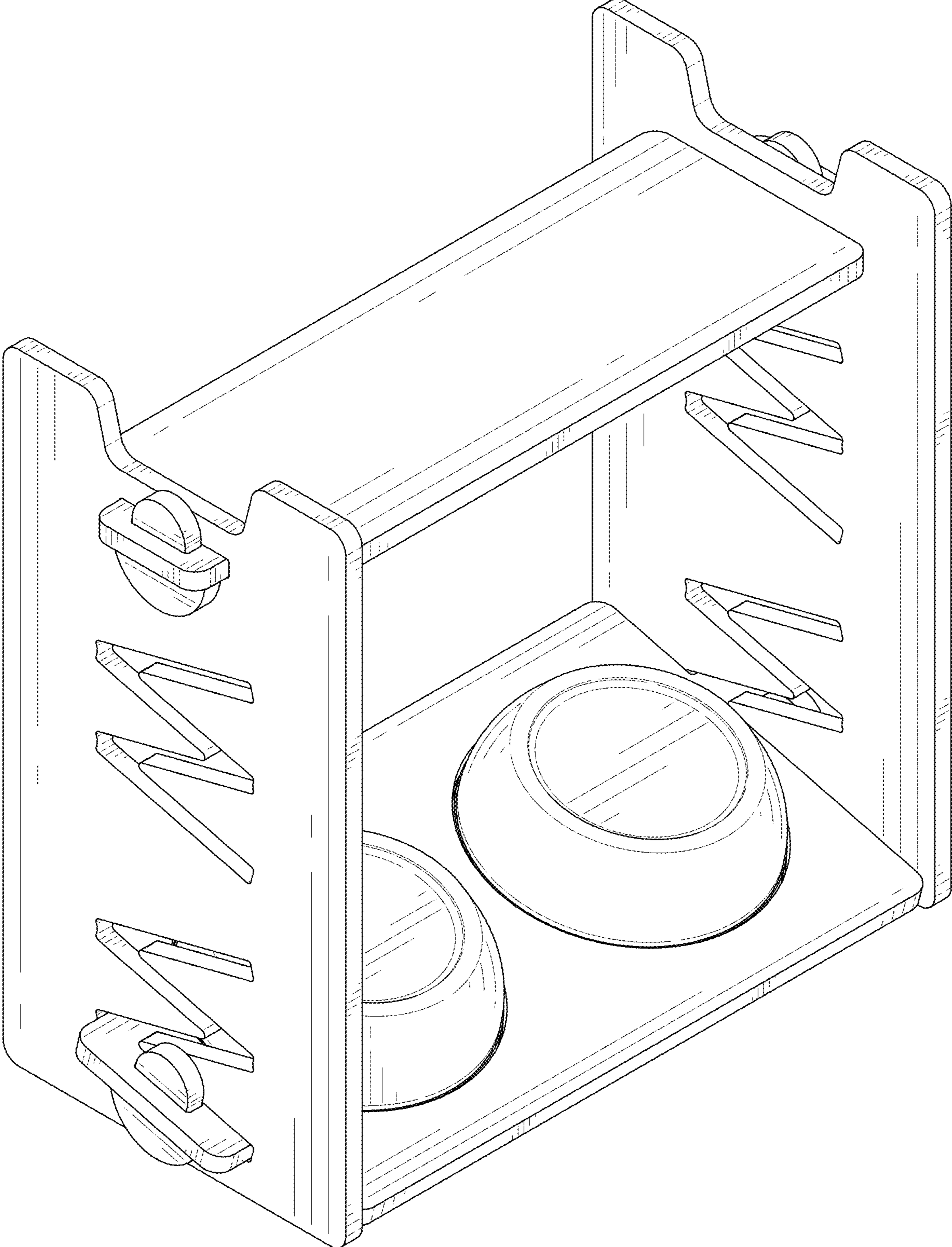


FIG. 2

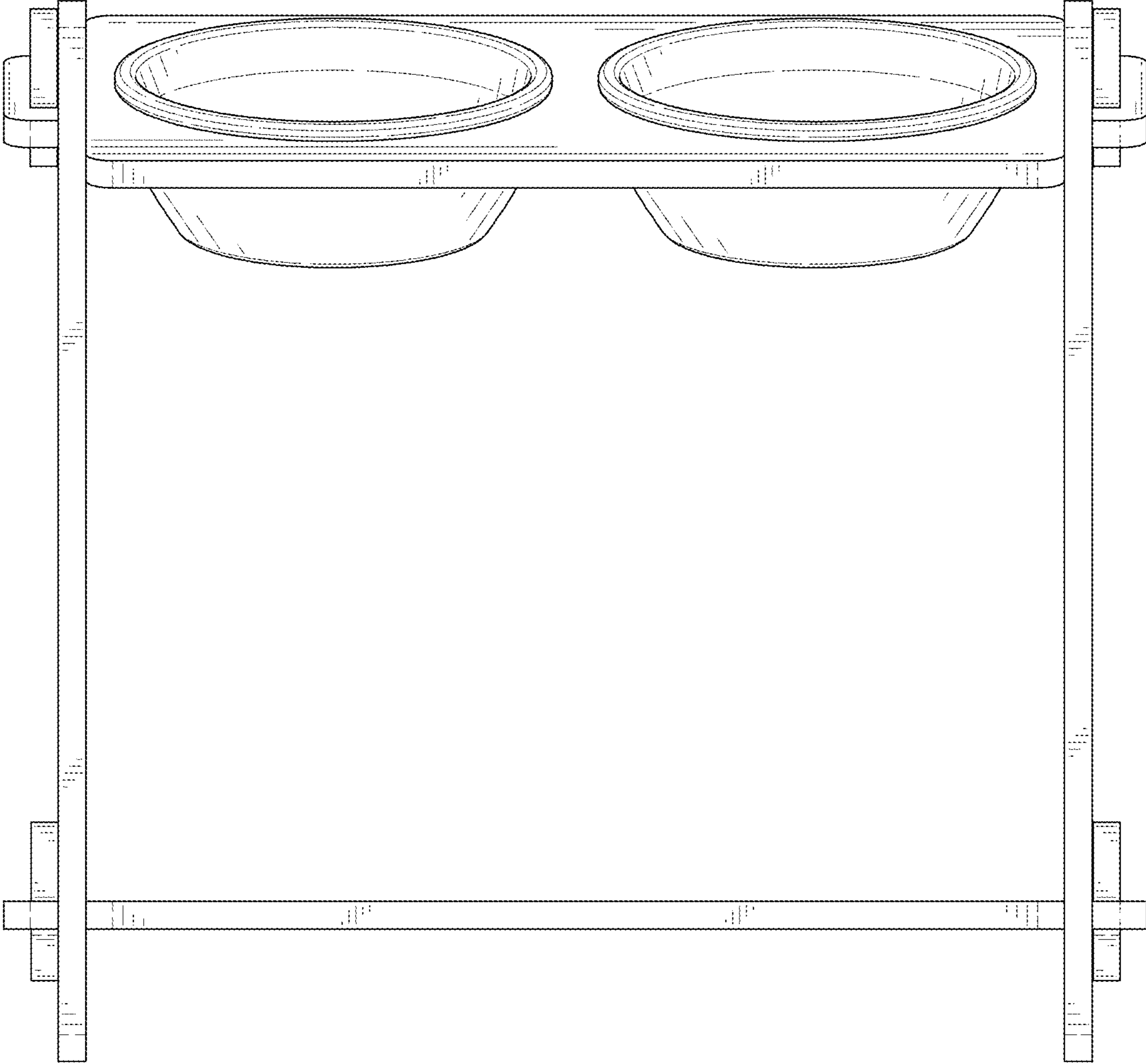


FIG. 3

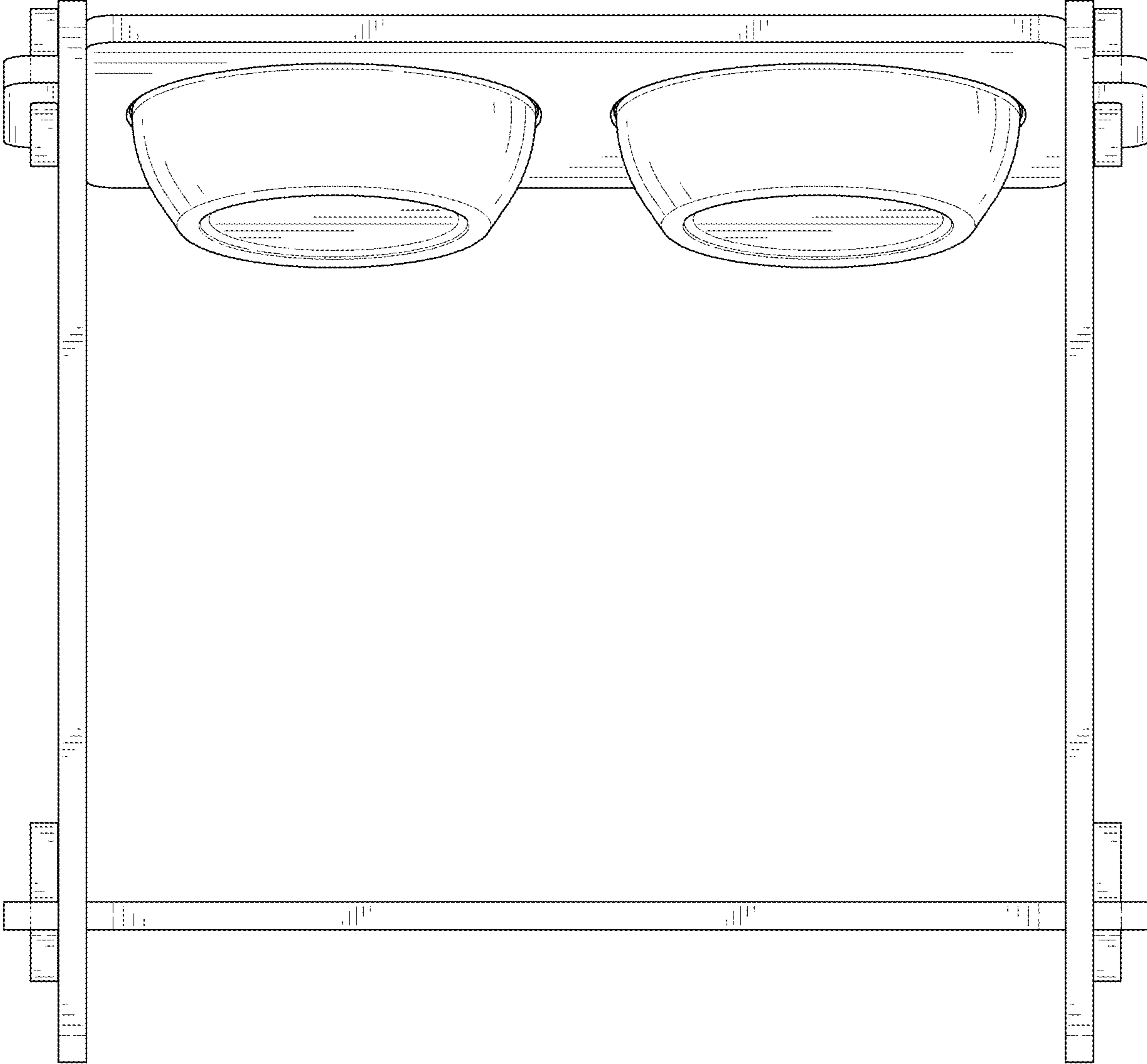


FIG. 4

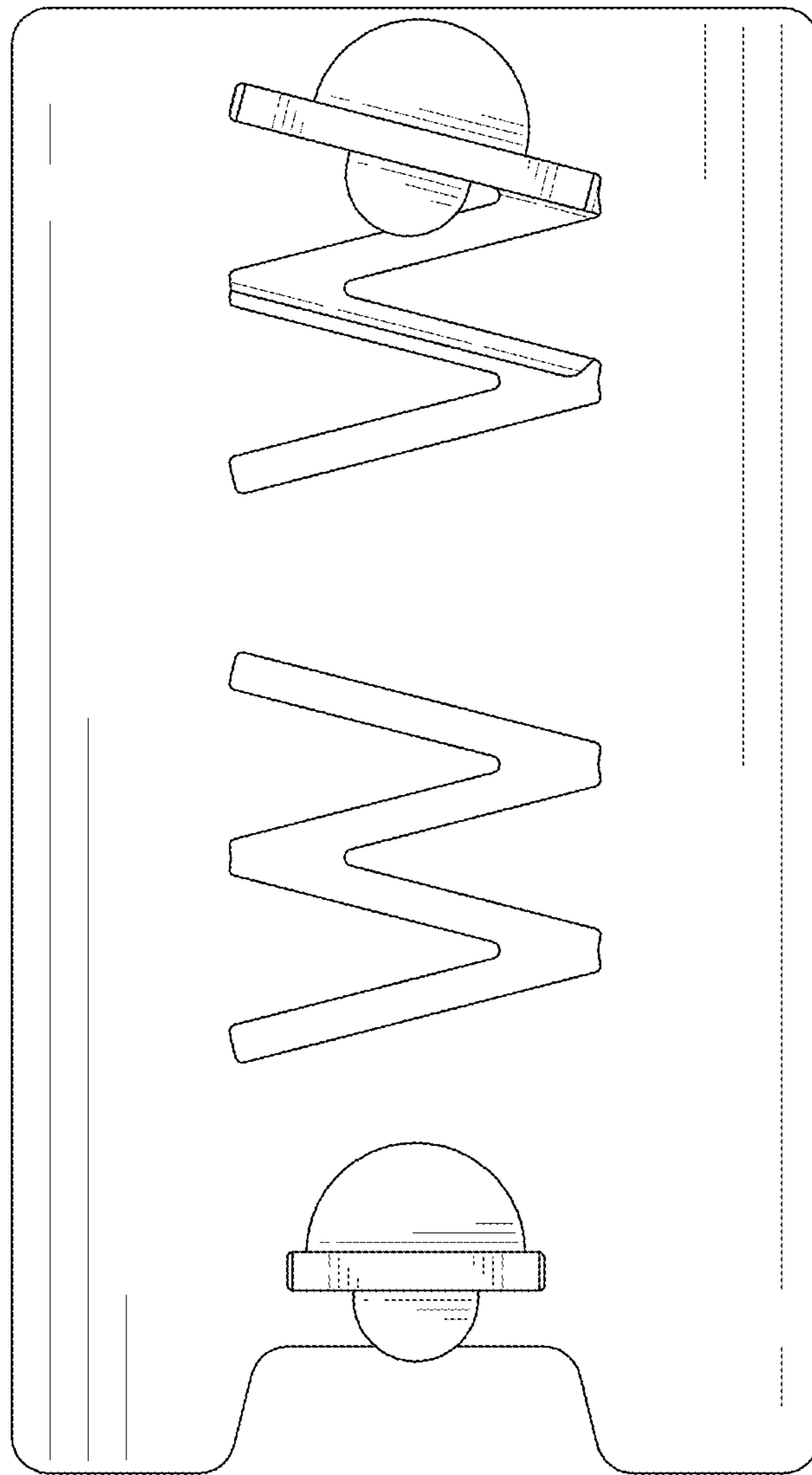


FIG. 5

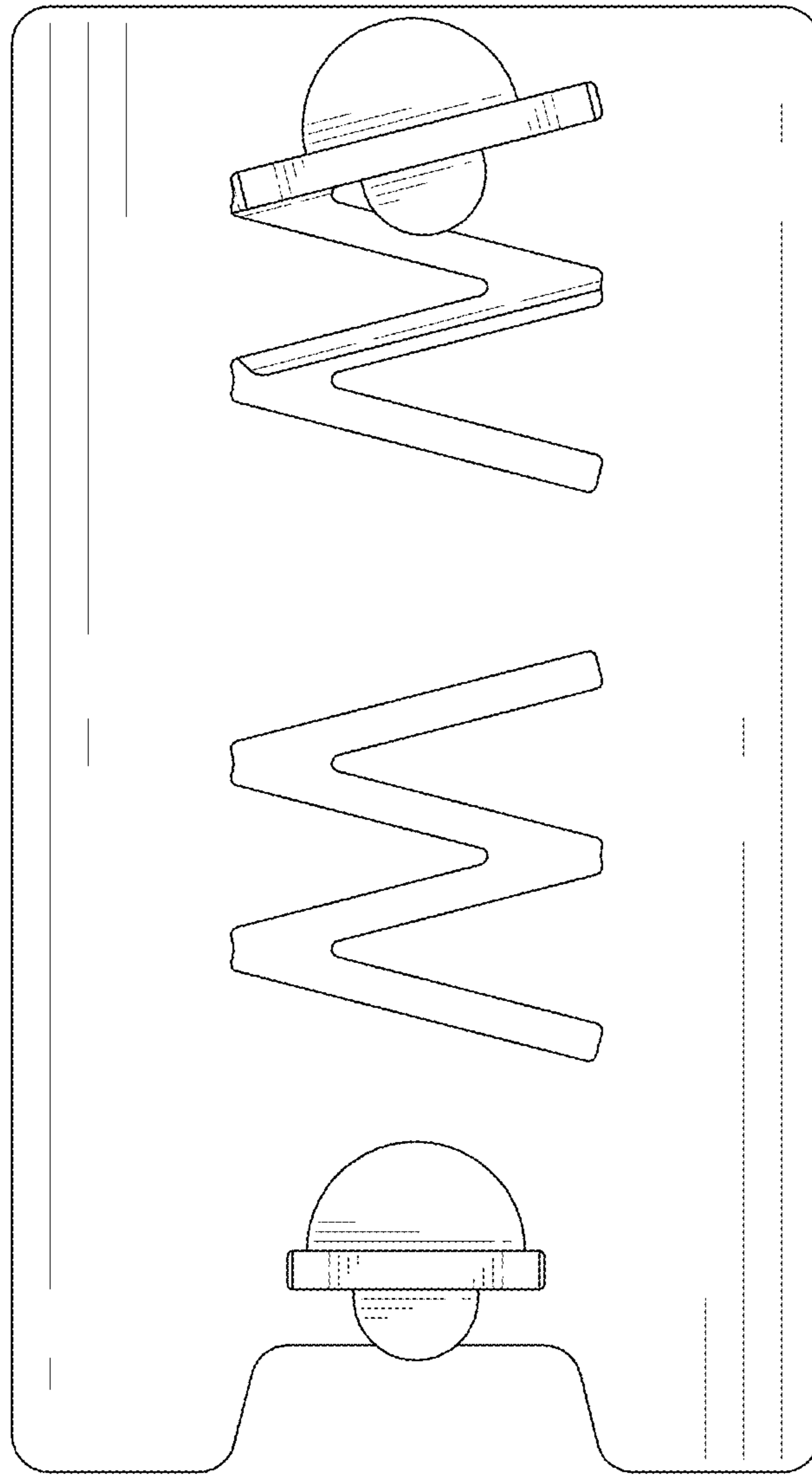


FIG. 6

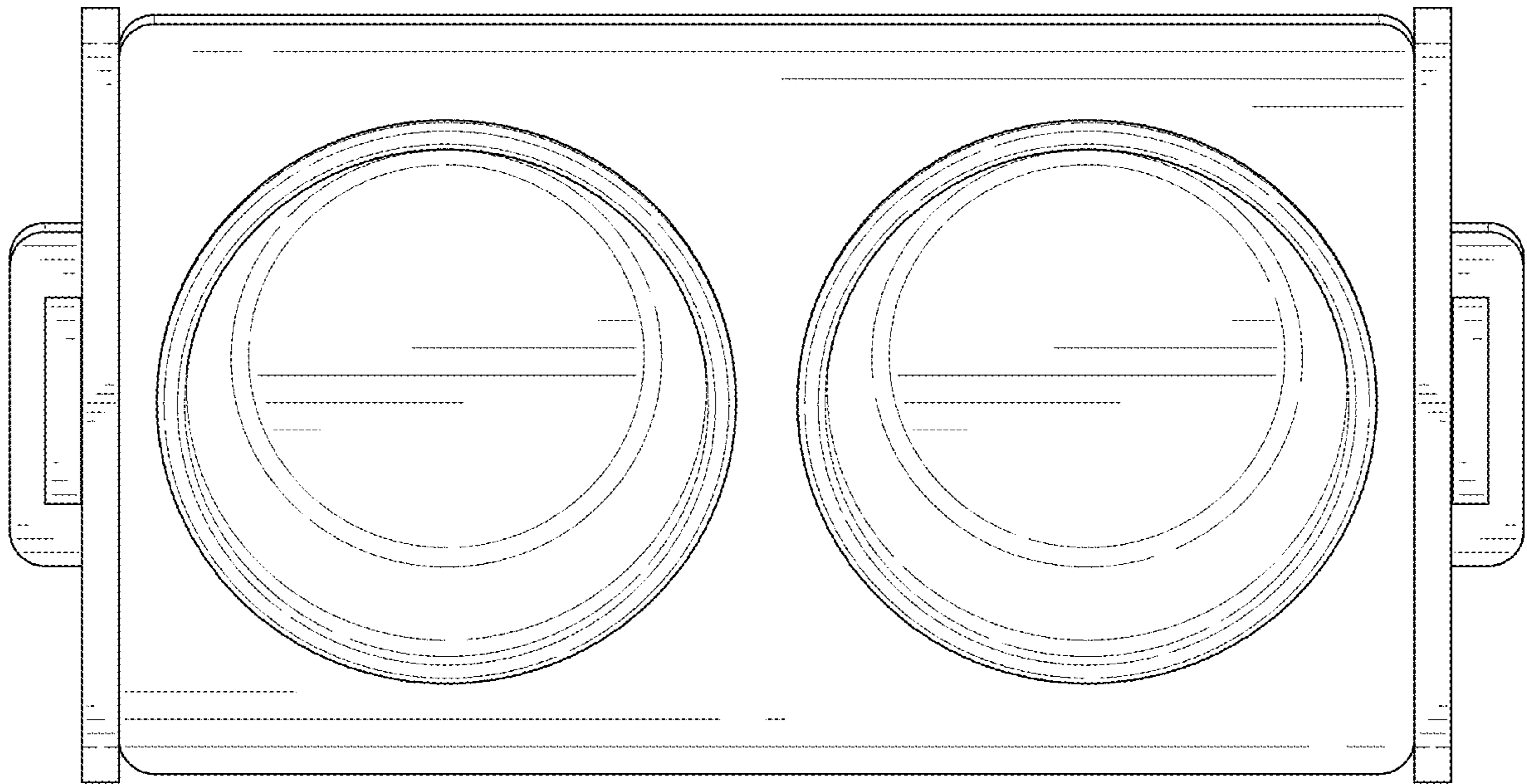


FIG. 7



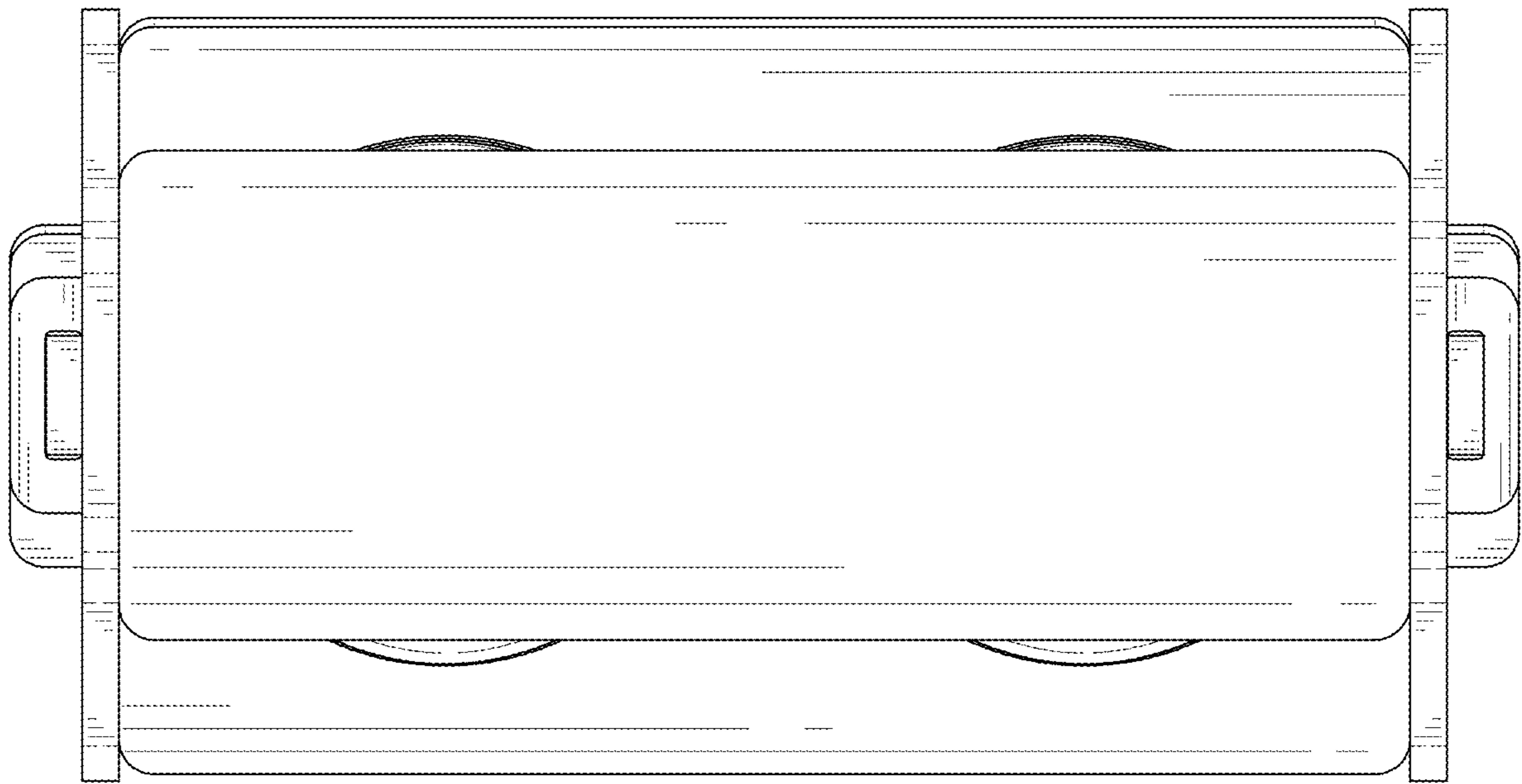


FIG. 8

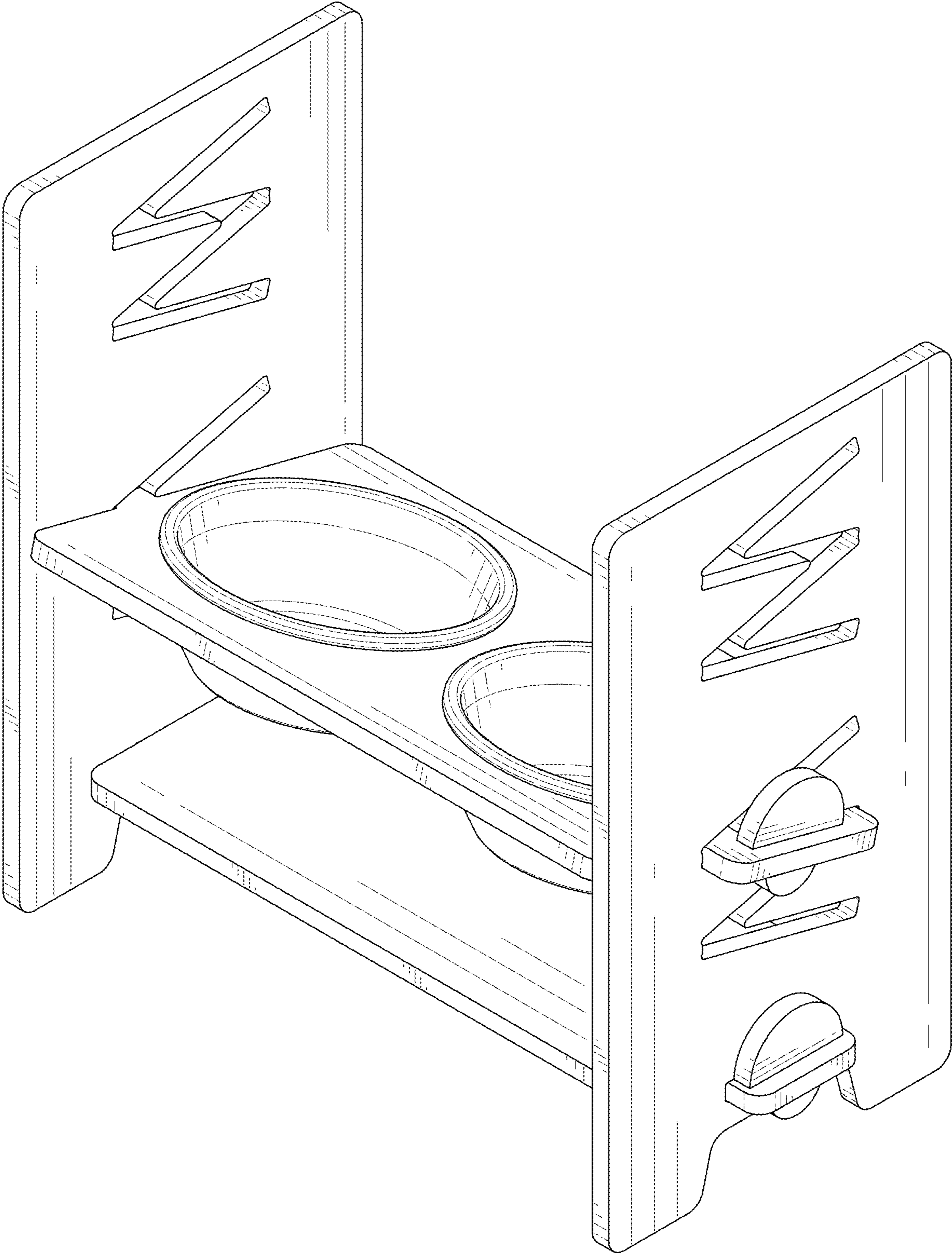


FIG. 9