



US00D935704S

(12) **United States Design Patent**
Zhang

(10) **Patent No.:** **US D935,704 S**

(45) **Date of Patent:** **** Nov. 9, 2021**

(54) **BIRD FEEDER**

(71) Applicant: **Yinghao Zhang**, Quanzhou (CN)

(72) Inventor: **Yinghao Zhang**, Quanzhou (CN)

(**) Term: **15 Years**

(21) Appl. No.: **29/752,501**

(22) Filed: **Sep. 28, 2020**

(51) **LOC (13) Cl.** **30-03**

(52) **U.S. Cl.**

USPC **D30/124**

(58) **Field of Classification Search**

USPC D30/121, 124, 126-129, 133, 199,
D30/110-112, 123, 125; 119/52.2, 51.5,
119/61.5, 57.8, 57.9, 52.3, 61.1, 531, 63,
119/428-435, 52.4, 55, 61.3, 69.5, 75, 76;
47/67, 83; 248/318; D11/164, 152;
211/128.1; D27/123; D6/495, 460, 461,
D6/476, 405

CPC .. A01K 39/014; A01K 39/04; A01K 39/0206;
A01K 39/00; A01K 39/01; A01K
39/0113; A01K 39/012; A01K 39/06;
A01K 5/0225; A01K 5/00; A01K 31/14;
A47H 27/00; A47G 7/044; A47G 7/045;
A47G 7/047; E06B 7/28; G09F 7/18;
G09F 17/00; F16M 13/02; F16M 13/022

See application file for complete search history.

(56) **References Cited**

U.S. PATENT DOCUMENTS

- 958,558 A * 5/1910 Stiggleman A01K 5/01
119/61.4
- 1,028,445 A * 6/1912 Dewey A01K 5/01
119/61.3
- 2,430,541 A * 11/1947 Thatcher A01K 39/014
119/57.8
- 2,713,321 A * 7/1955 Keen A01K 13/001
119/672

- D192,925 S * 5/1962 Kofsky et al. D30/124
- 3,040,706 A * 6/1962 O'Dell A01K 39/014
119/57.8
- 3,291,100 A * 12/1966 Negaard A01K 39/014
119/57.8
- 3,593,470 A * 7/1971 Francis E06B 7/28
52/36.4
- D225,215 S * 11/1972 Francis D25/35
- 4,180,014 A * 12/1979 Mathews A01K 5/0225
119/52.1
- 4,425,873 A * 1/1984 Rinne, Jr. A01K 39/012
119/53
- D278,169 S * 3/1985 Cargile, Jr. D30/124
- 4,748,770 A * 6/1988 Cline A47H 99/00
47/67
- 4,881,491 A * 11/1989 Brown A01K 39/00
119/51.01
- D334,636 S * 4/1993 Honeycutt D11/145
- D351,690 S * 10/1994 Honeycutt D30/124

(Continued)

Primary Examiner — Susan Moon Lee

(57) **CLAIM**

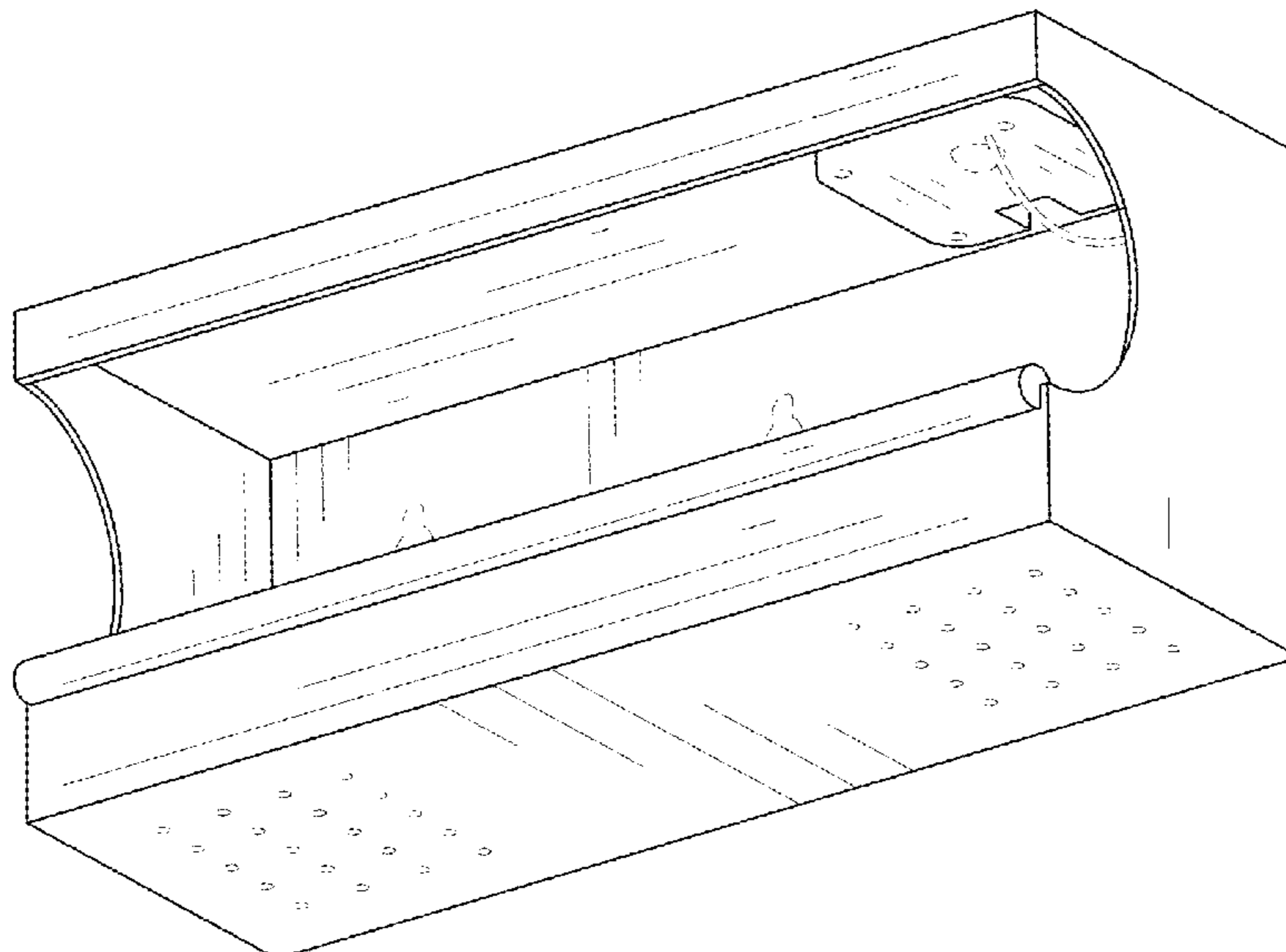
The ornamental design for a bird feeder, as shown and described.

DESCRIPTION

FIG. 1 is a first perspective view of a bird feeder showing my new design;
 FIG. 2 is a second perspective view thereof;
 FIG. 3 is a front view thereof;
 FIG. 4 is a back view thereof;
 FIG. 5 is a left side view thereof;
 FIG. 6 is a right side view thereof;
 FIG. 7 is a top view thereof; and,
 FIG. 8 is a bottom view thereof.

The broken lines shown in the drawings depict portions of the bird feeder in which the design is embodied that form no part of the claimed design.

1 Claim, 8 Drawing Sheets



(56)

References Cited

U.S. PATENT DOCUMENTS

5,642,687 A * 7/1997 Nylen A01K 39/0113
 119/52.3
 D392,777 S * 3/1998 Scribner D30/131
 5,904,330 A * 5/1999 Manico A01K 39/014
 248/206.3
 6,062,167 A * 5/2000 Soley A01K 1/035
 119/57.8
 7,036,455 B2 * 5/2006 Loewe A01K 5/0225
 119/53
 D568,547 S 5/2008 Yanick
 7,467,599 B2 * 12/2008 Jensen A01K 5/01
 119/409
 D658,338 S 4/2012 Law
 8,573,157 B2 * 11/2013 Bondarenko A01K 5/0225
 119/53.5
 D701,354 S 3/2014 Septien Prieto
 9,295,222 B2 * 3/2016 Martinez E06B 7/28
 D762,016 S * 7/2016 Yates D30/121
 D780,582 S * 3/2017 Tulencik D9/455
 9,702,502 B2 * 7/2017 Hudepohl F16M 13/022
 D895,085 S * 9/2020 Brill D23/310
 D907,864 S * 1/2021 Schwartz D30/131
 2005/0217593 A1 * 10/2005 Rice A01K 1/10
 119/60
 2007/0022963 A1 * 2/2007 Jensen A01K 5/01
 119/61.1
 2015/0342153 A1 * 12/2015 Hudepohl F16M 13/022
 119/57.8

* cited by examiner

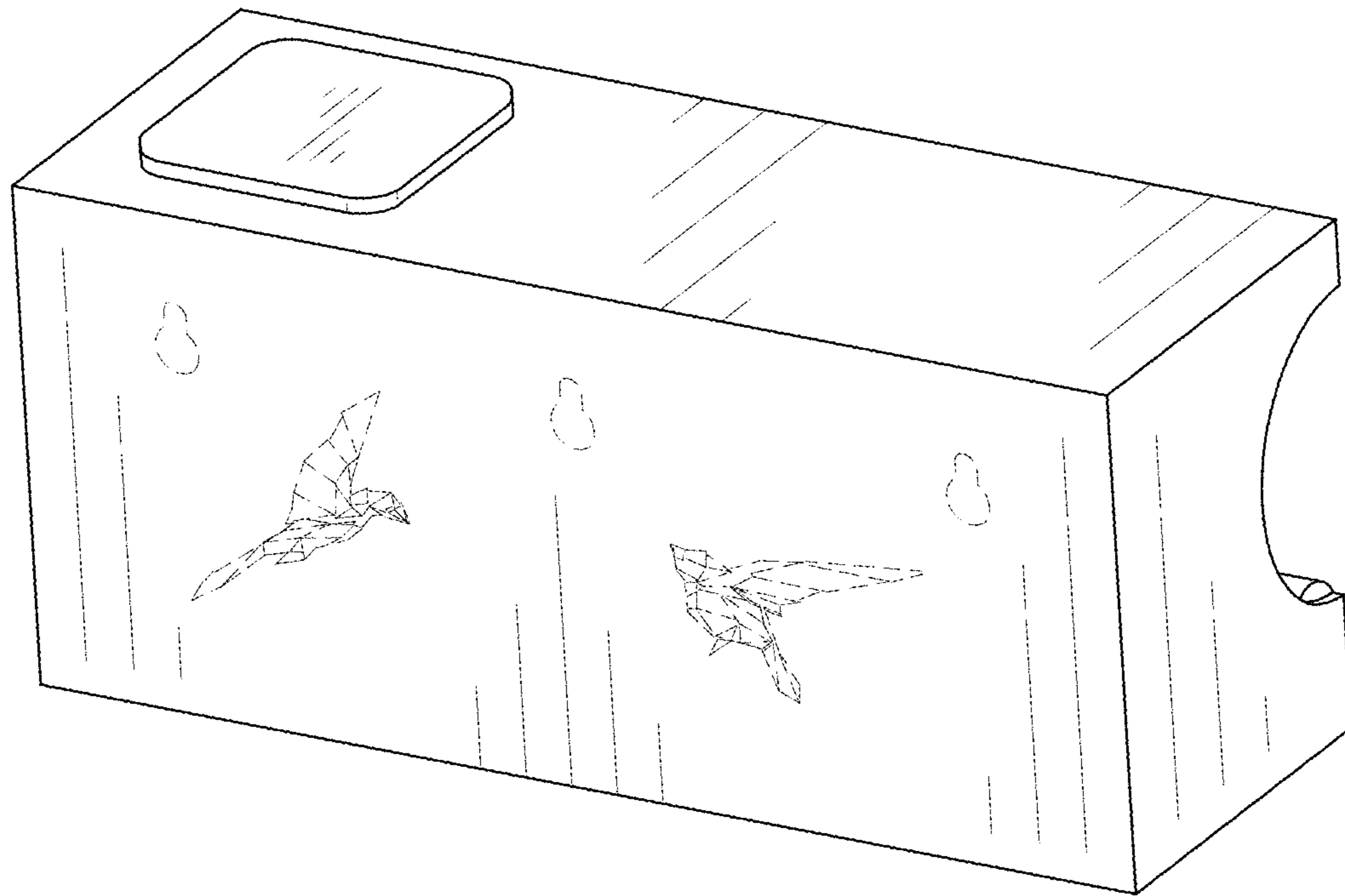


FIG. 1

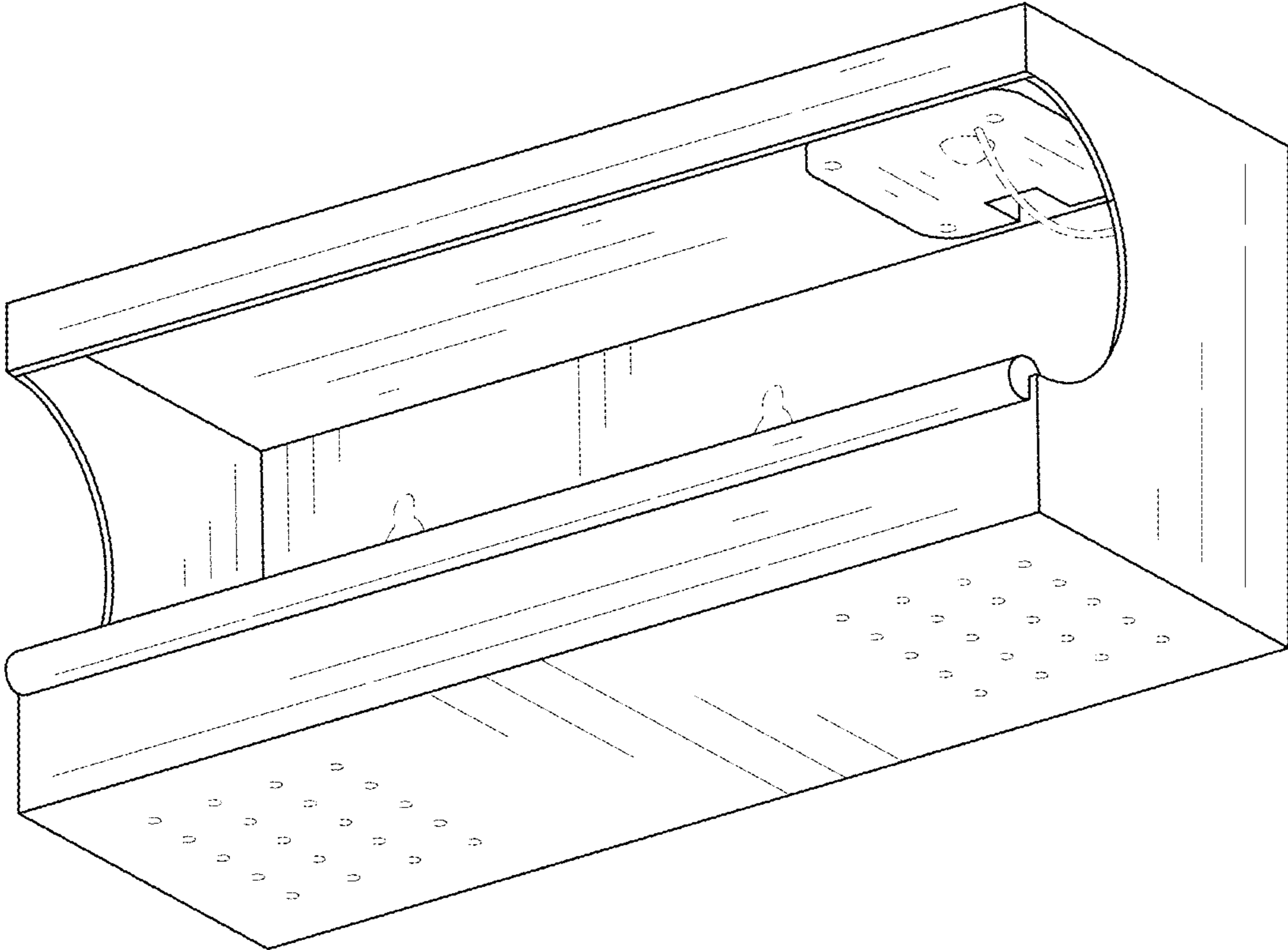


FIG. 2

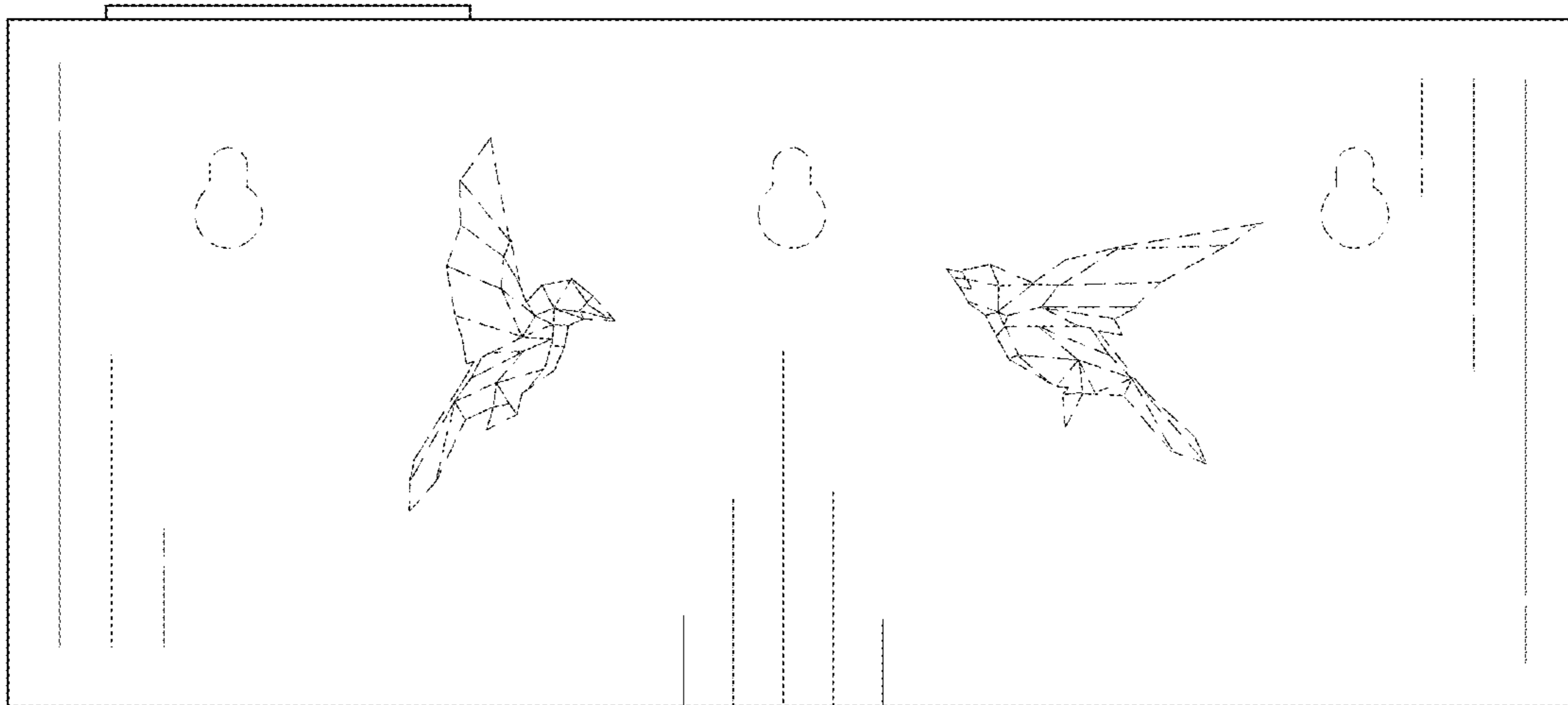


FIG. 3

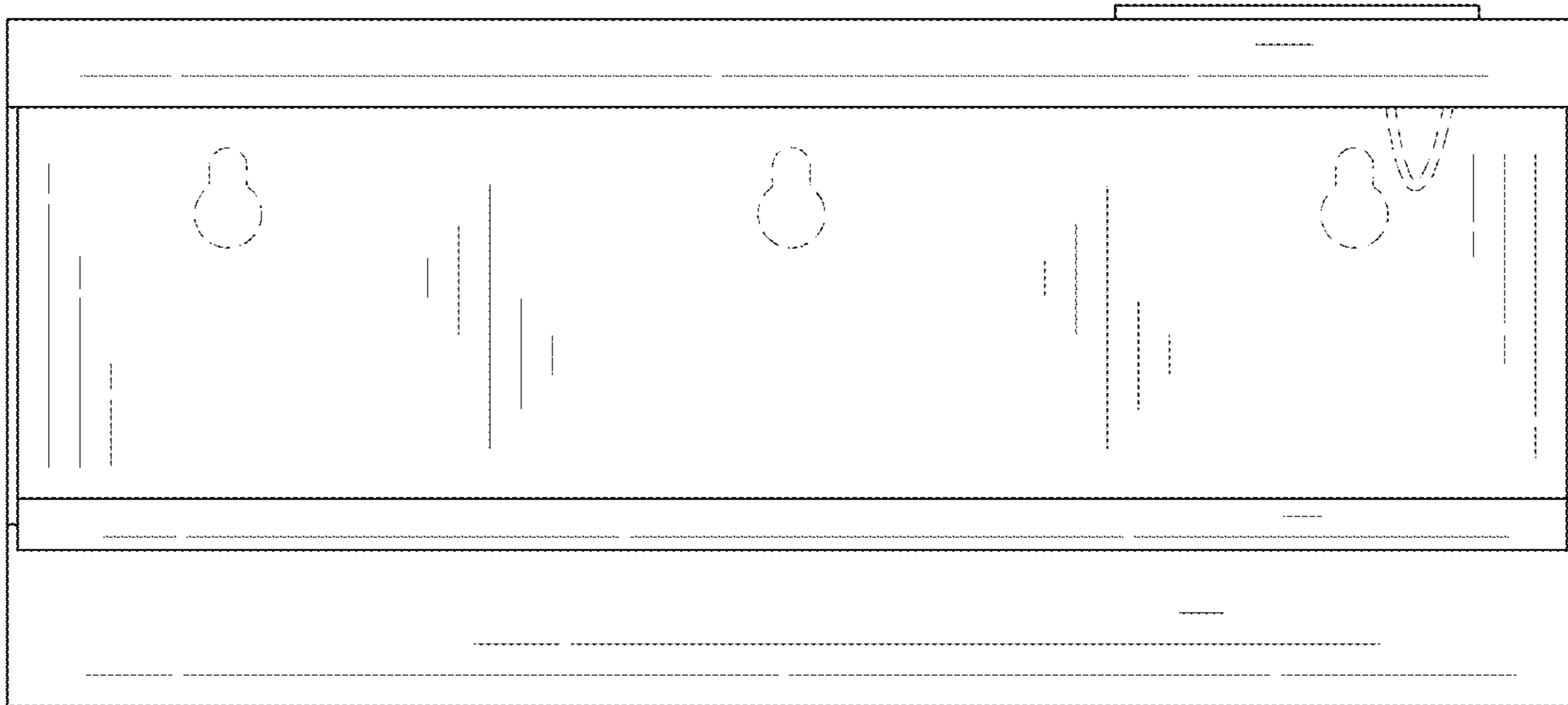


FIG. 4

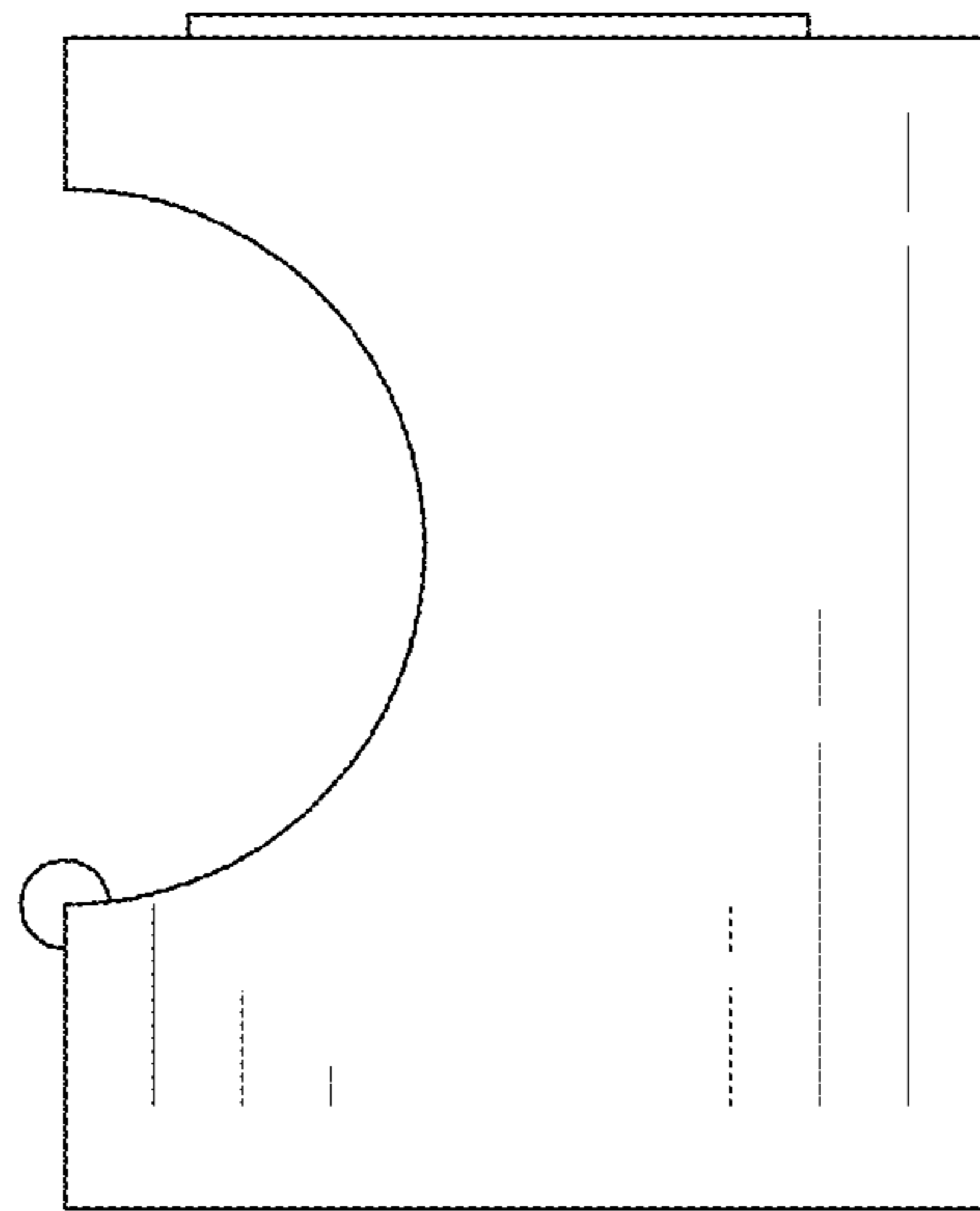


FIG. 5

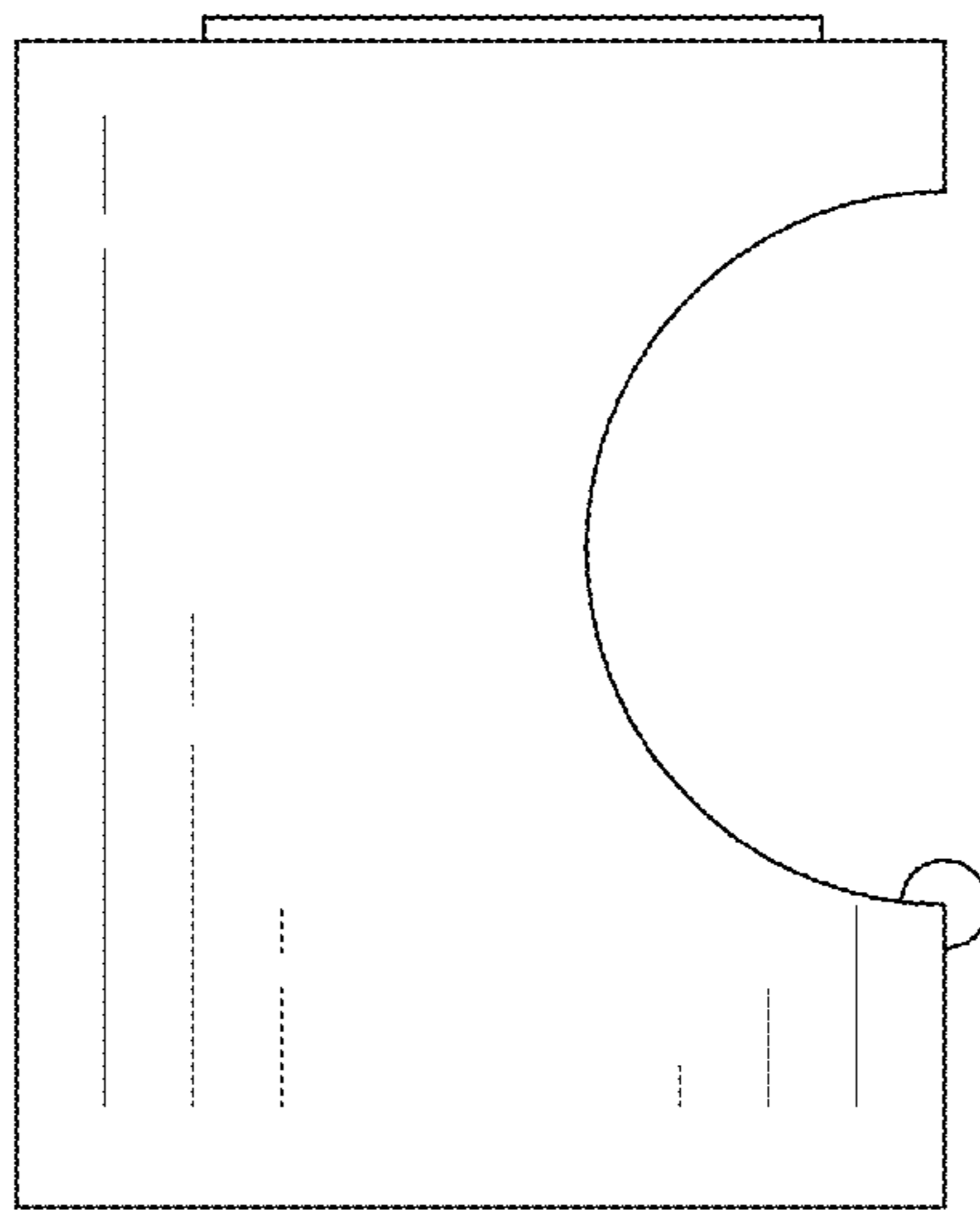


FIG. 6

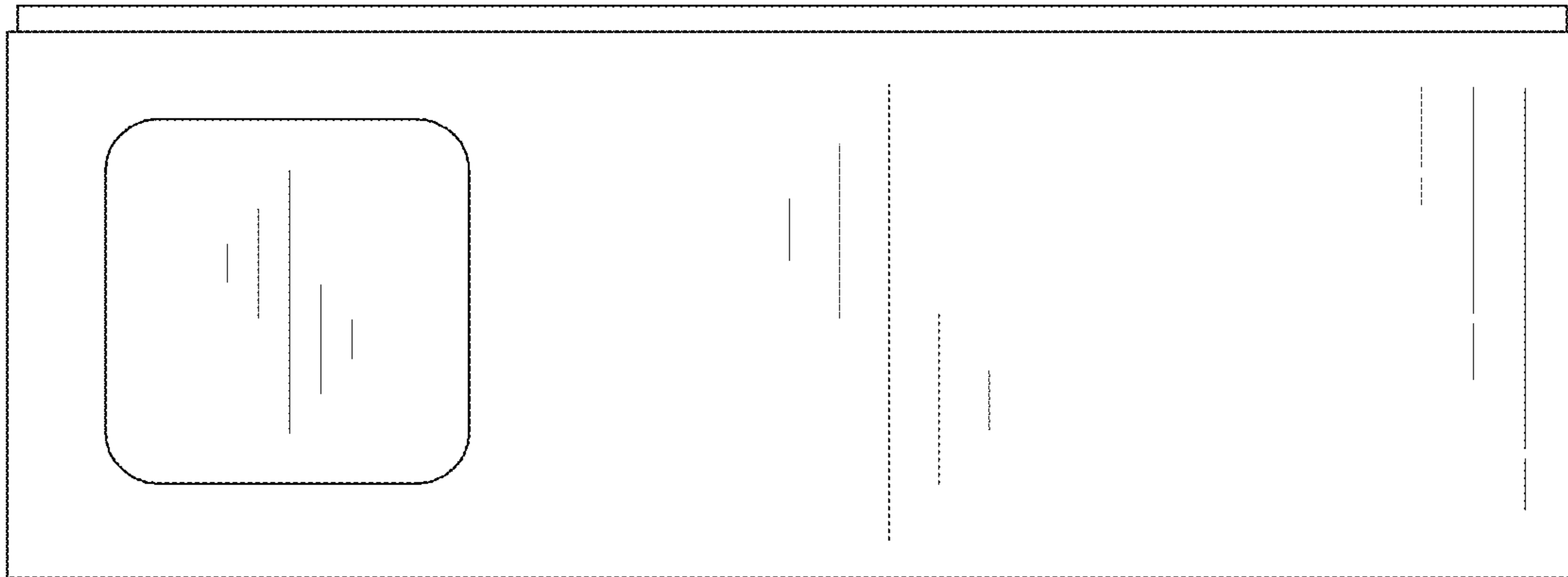


FIG. 7

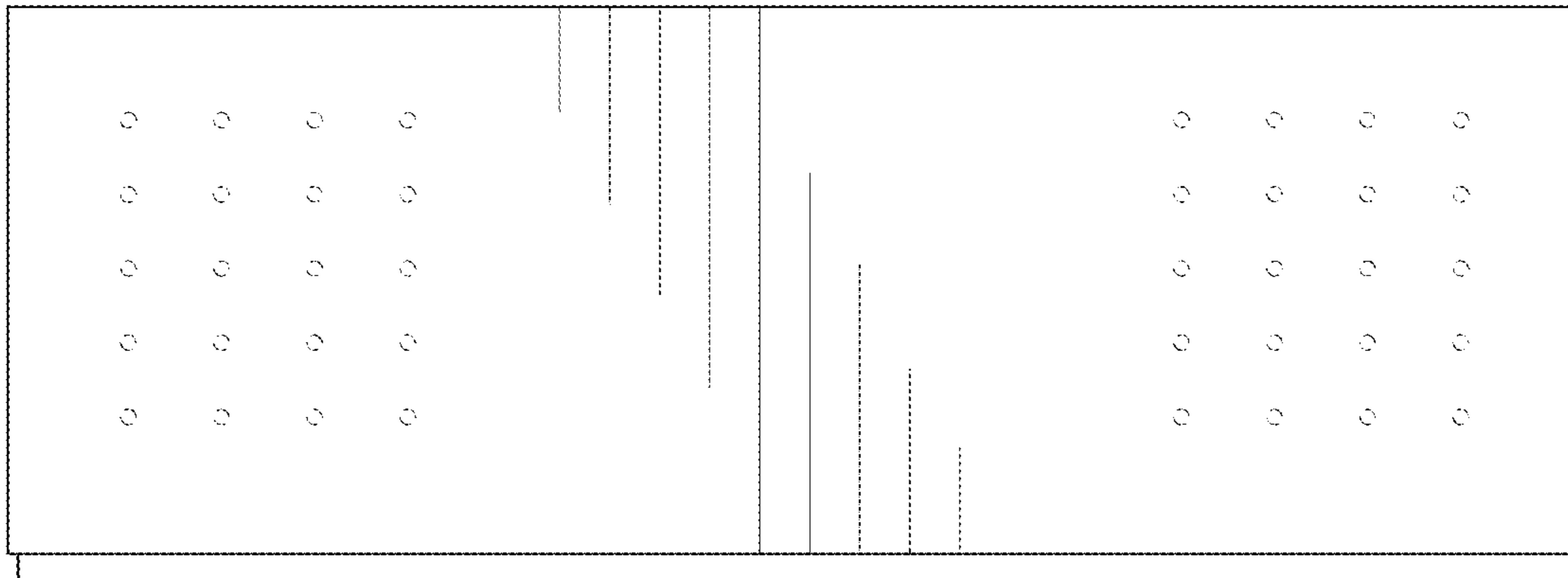


FIG. 8