



US00D935703S

(12) **United States Design Patent** (10) **Patent No.:** **US D935,703 S**  
**Zheng** (45) **Date of Patent:** **\*\* Nov. 9, 2021**

(54) **PET FEEDER**

(71) Applicant: **SHENZHEN ZHIMU TECHNOLOGY CO., LTD**, Shenzhen (CN)

(72) Inventor: **Junwen Zheng**, Shenzhen (CN)

(\*\*) Term: **15 Years**

(21) Appl. No.: **29/768,634**

(22) Filed: **Jan. 30, 2021**

(51) **LOC (13) Cl.** ..... **30-07**

(52) **U.S. Cl.**  
USPC ..... **D30/122**

(58) **Field of Classification Search**  
USPC ..... D30/121, 122, 129–133, 120; 119/61.5, 119/51.01, 61.56, 51.03, 59, 62, 63, 51.5, 119/57.8, 74, 61.54, 61.55, 53, 53.5, 75, 119/56.2, 51.02, 51.11, 51.12, 57.1, 52.1, 119/515; 312/204; 248/151, 188; 108/156, 153.1–157; 220/23.87, 630, 220/737, 743, 9.4, 495.01, 574, 212, 255, 220/23.83; 206/515; D7/586, 543, D7/550.1, 587, 505, 584, 545, 500, D7/553.1–553.8, 546, 555, 556, 504, 565, D7/562, 602, 605, 312, 313, 320, 307, D7/306, 309, 354, 311, 399, 397, 323, D7/332, 331, 347, 346, 322, 318, 317, D7/316, 619.1; D9/429; 43/109; D22/122; 99/430, DIG. 15, 280, 285, 99/312; 222/209, 131, 363, 349, 517, 222/153.13, 401, 1, 146.5, 23, 54, 64, 5, 222/156, 399, 400.8; 219/438, 439, 441, 219/385, 386, 402, 407; 210/94, 184, 210/474, 477  
CPC ..... A01K 5/02; A01K 5/0225; A01K 5/0114; A01K 5/025; A01K 5/0266; A01K 5/0275; A01K 5/0283; A01K 5/0291; A01K 5/0258; A01K 5/0142; A01K 5/0233; A01K 29/00; A01K 7/00; G01F 11/24; G01F 23/02; B67D 1/0425; B67D

1/04; B67D 1/00; B67D 1/02; B67D 1/0871; B67D 1/0802; A47J 41/0033; A47J 41/005; A47J 41/0088; A47J 41/0094; A47J 31/04; A47J 31/053; B05B 11/00; B05B 11/0002; B05B 11/0005; B05B 11/001; C02F 1/003; C02F 1/283; C02F 2307/02

See application file for complete search history.

(56) **References Cited**

U.S. PATENT DOCUMENTS

D835,356 S *	12/2018	Xie	.....	D30/122
D843,665 S *	3/2019	Zeng	.....	D30/122
D844,258 S *	3/2019	Xu	.....	D30/122
D876,022 S *	2/2020	Hua	.....	D30/122
D884,985 S *	5/2020	Chen	.....	D30/122
D884,986 S *	5/2020	Chen	.....	D30/122
D885,685 S	5/2020	Chen et al.		
D891,004 S *	7/2020	Park	.....	D30/122
D893,109 S *	8/2020	Zeng	.....	D30/122
D907,305 S	1/2021	Wang		

(Continued)

*Primary Examiner* — Susan Moon Lee

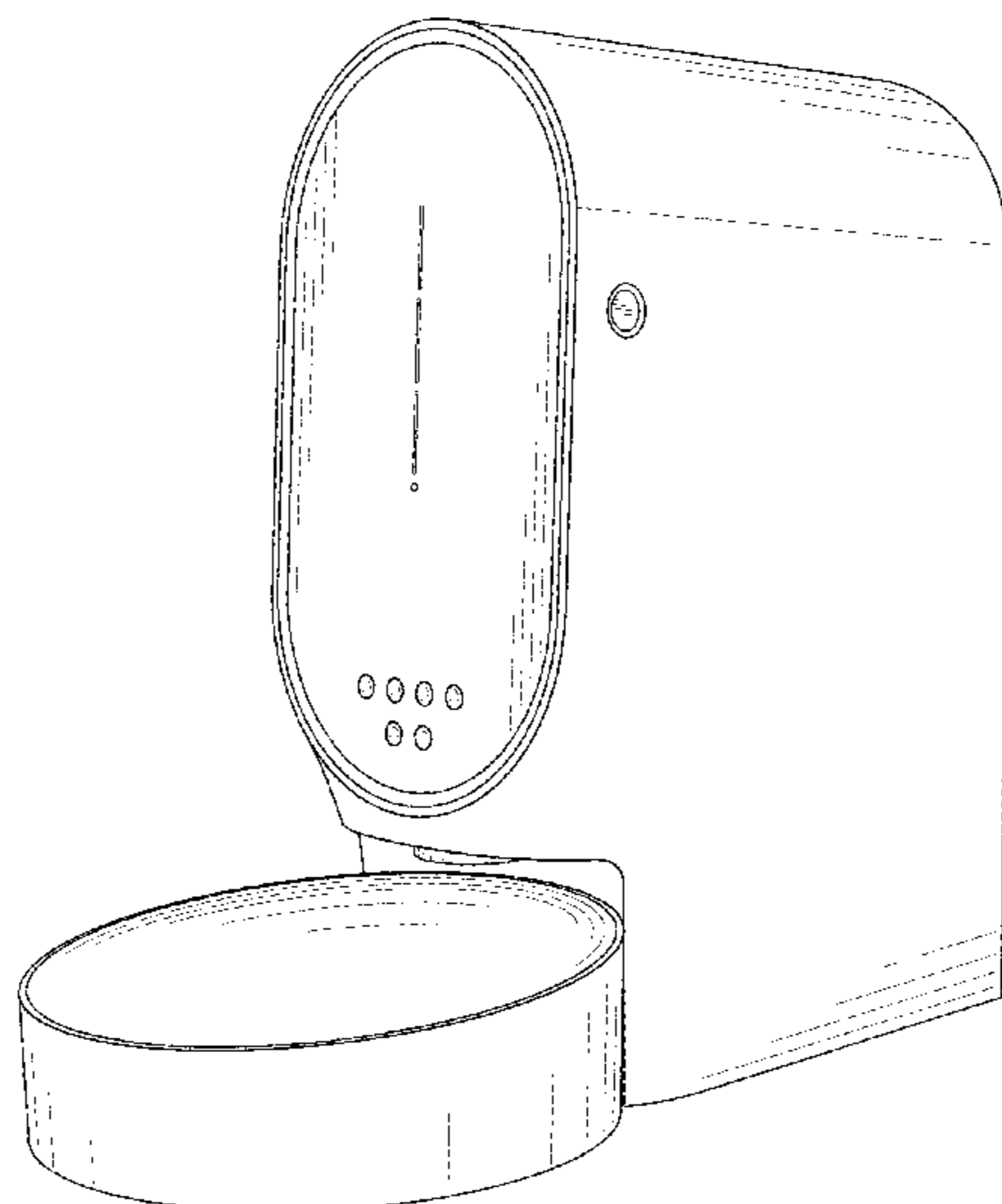
(57) **CLAIM**

The ornamental design for a pet feeder, as shown and described.

**DESCRIPTION**

FIG. 1 is a perspective view of a pet feeder showing my new design;  
FIG. 2 is a front view thereof;  
FIG. 3 is a rear view thereof;  
FIG. 4 is a left side view thereof;  
FIG. 5 is a right side view thereof;  
FIG. 6 is a top plan view thereof; and,  
FIG. 7 is a bottom plan view thereof.  
The broken lines in the figures illustrate portions of the pet feeder that form no part of the claimed design.

**1 Claim, 7 Drawing Sheets**



(56)

**References Cited**

U.S. PATENT DOCUMENTS

2013/0298839 A1\* 11/2013 Richards ..... C02F 1/003  
119/75  
2015/0068463 A1\* 3/2015 Worry ..... A01K 5/0291  
119/57.1  
2016/0235035 A1\* 8/2016 Ma ..... A01K 5/0225  
2019/0029221 A1\* 1/2019 Anderton ..... A01K 5/0225  
2019/0029222 A1\* 1/2019 Anderton ..... A01K 5/0233  
2019/0059322 A1\* 2/2019 Xu ..... A01K 5/0225  
2020/0100459 A1\* 4/2020 Chen ..... A01K 5/0225  
2020/0100460 A1\* 4/2020 Chen ..... A01K 5/0225

\* cited by examiner

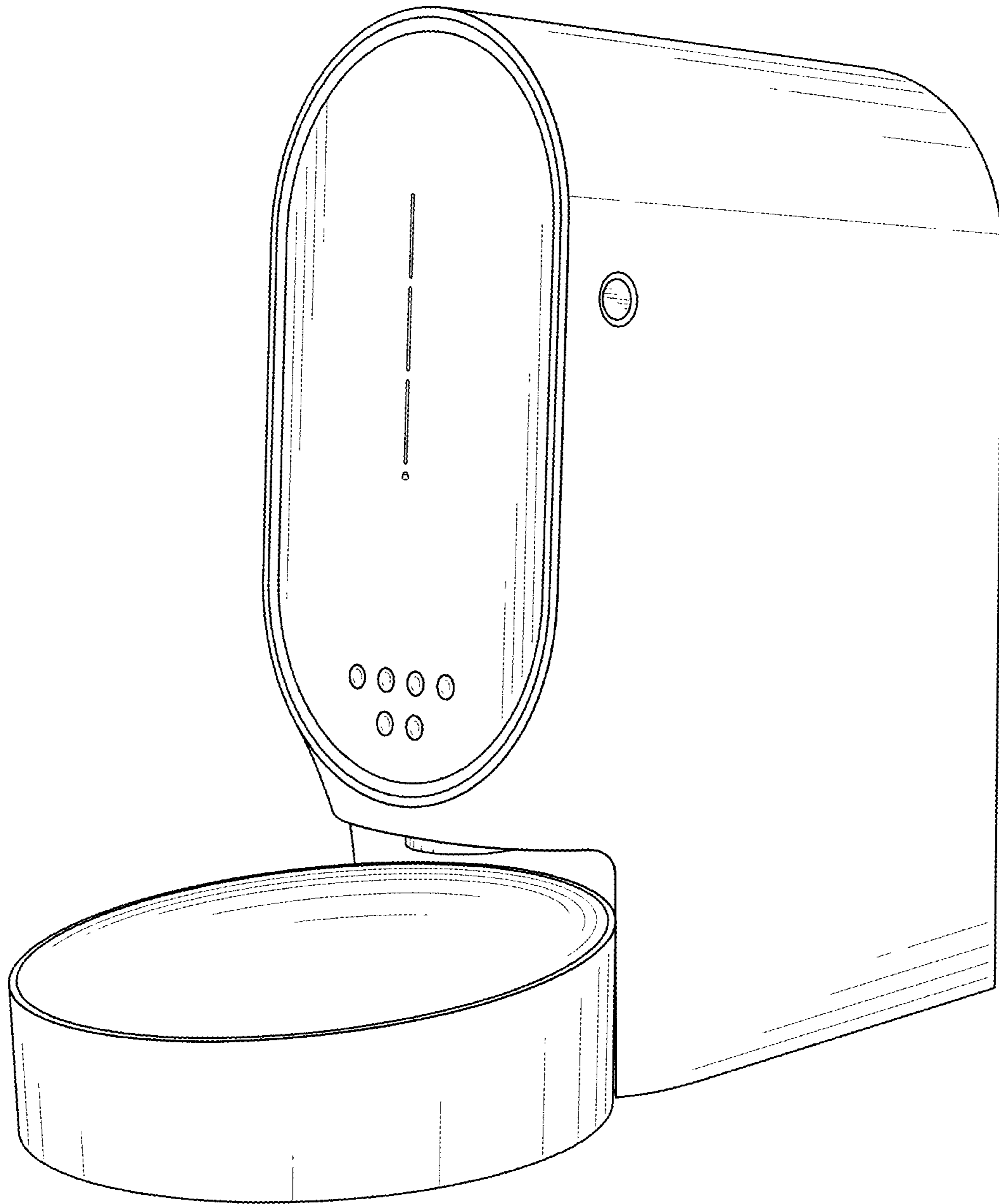


FIG. 1

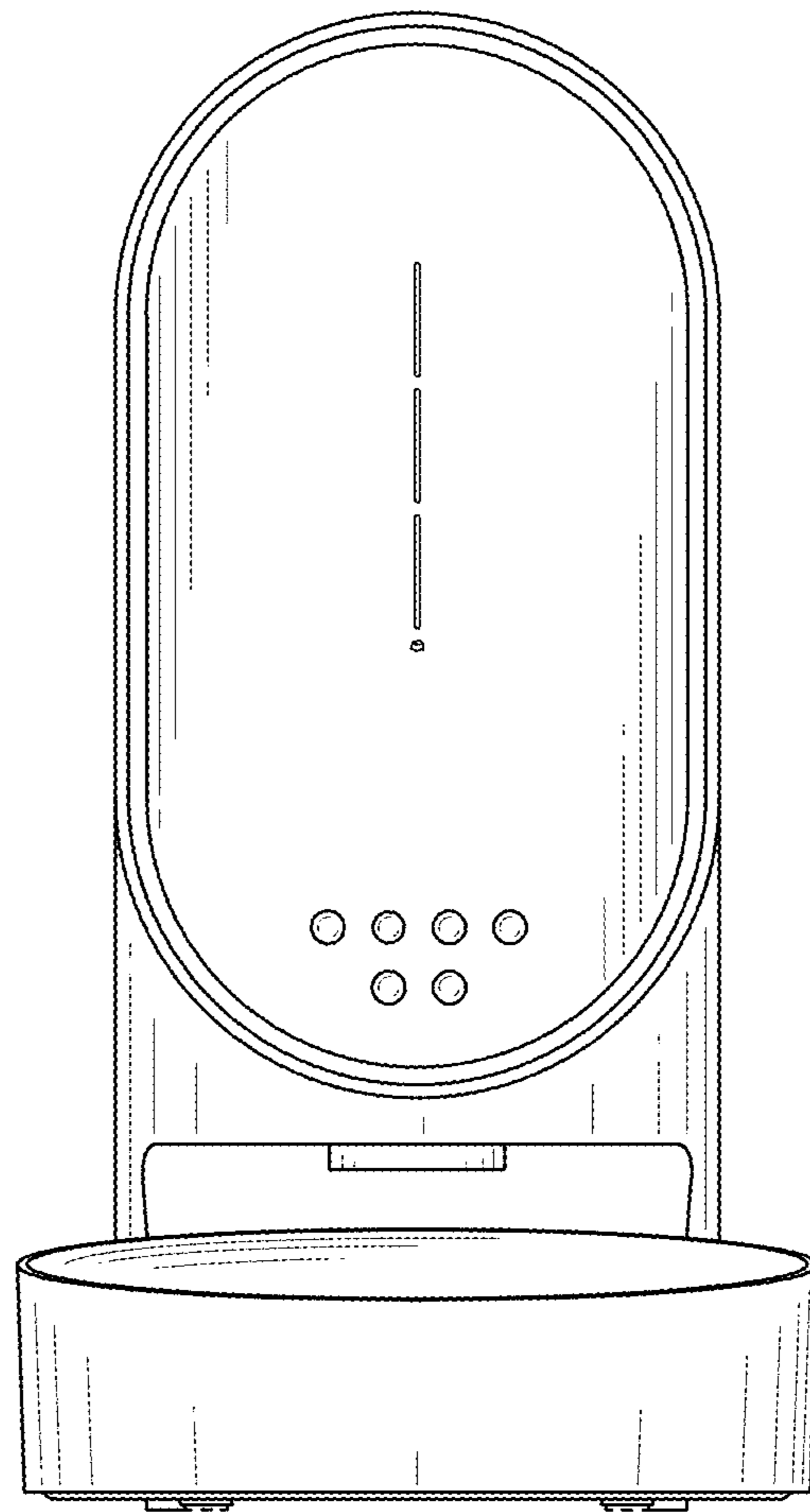


FIG. 2

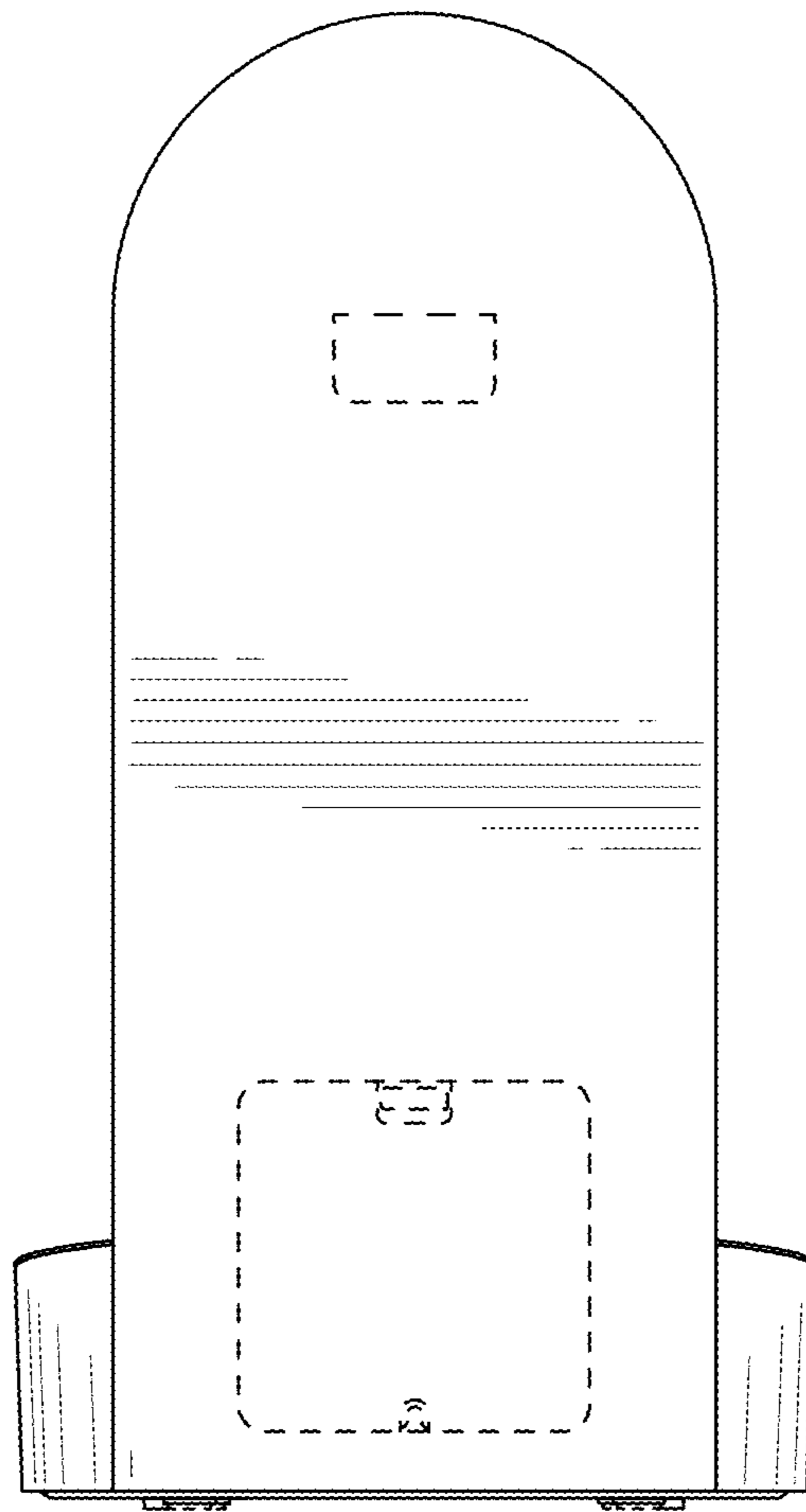


FIG. 3

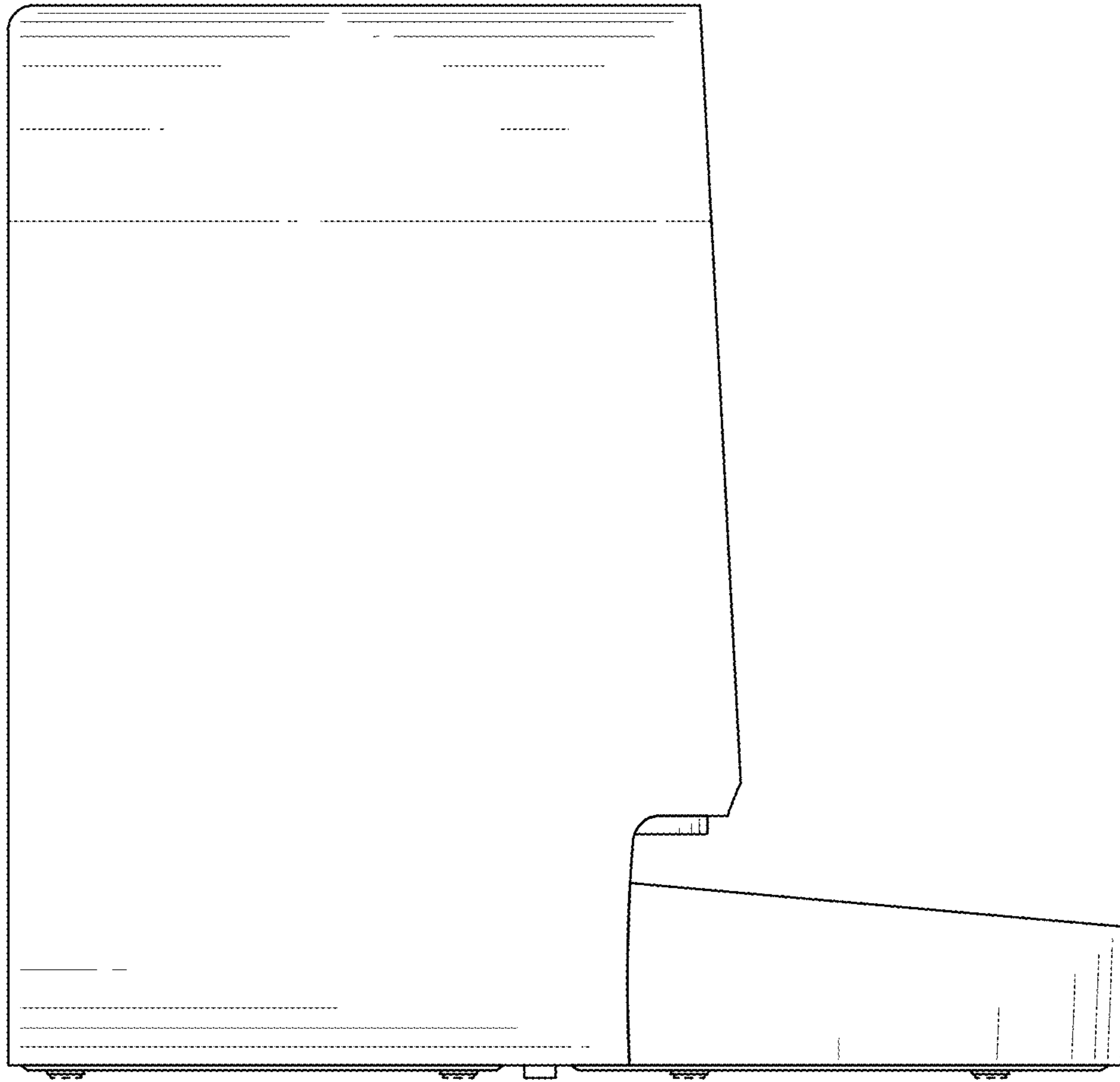


FIG. 4

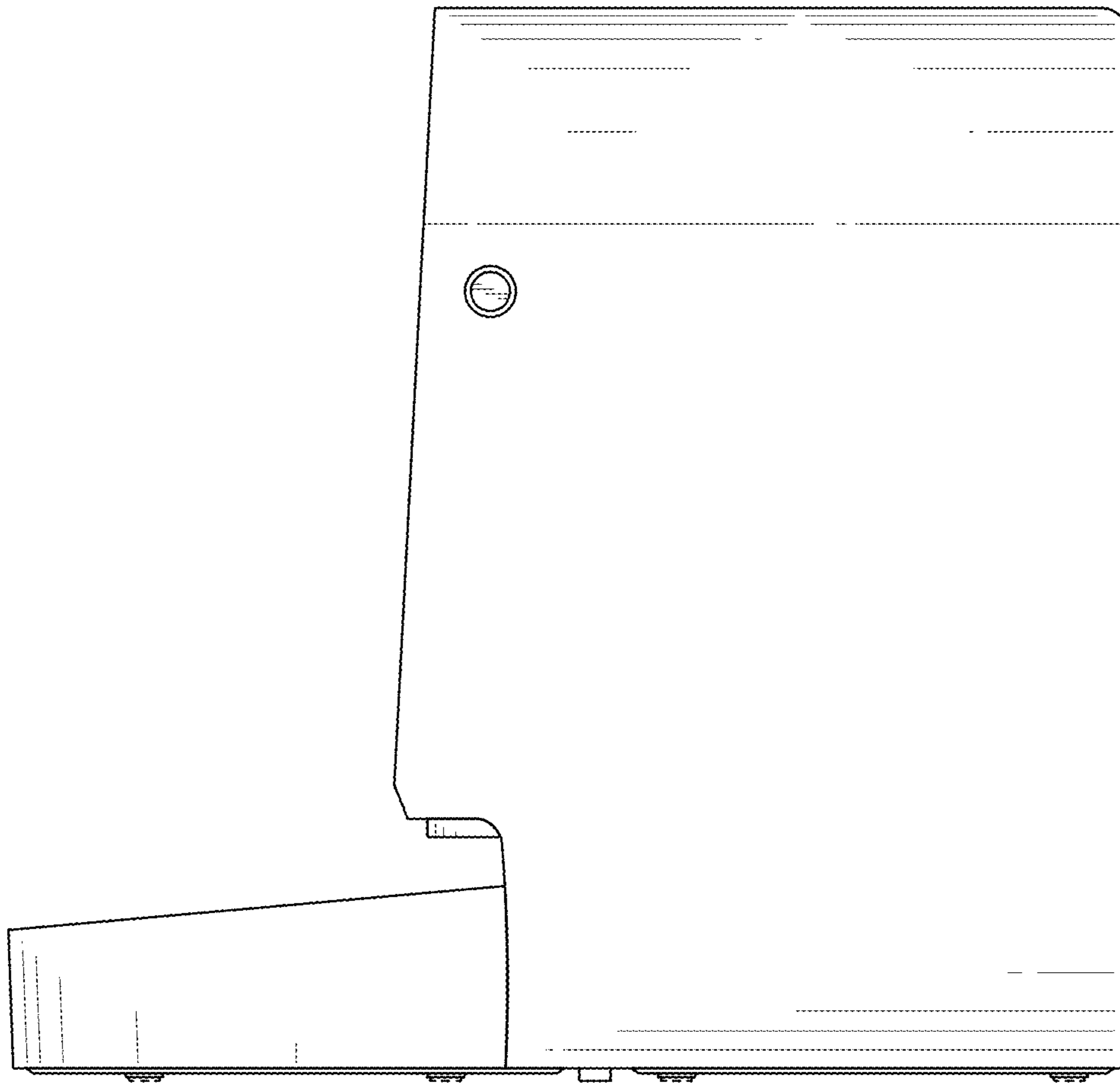


FIG. 5

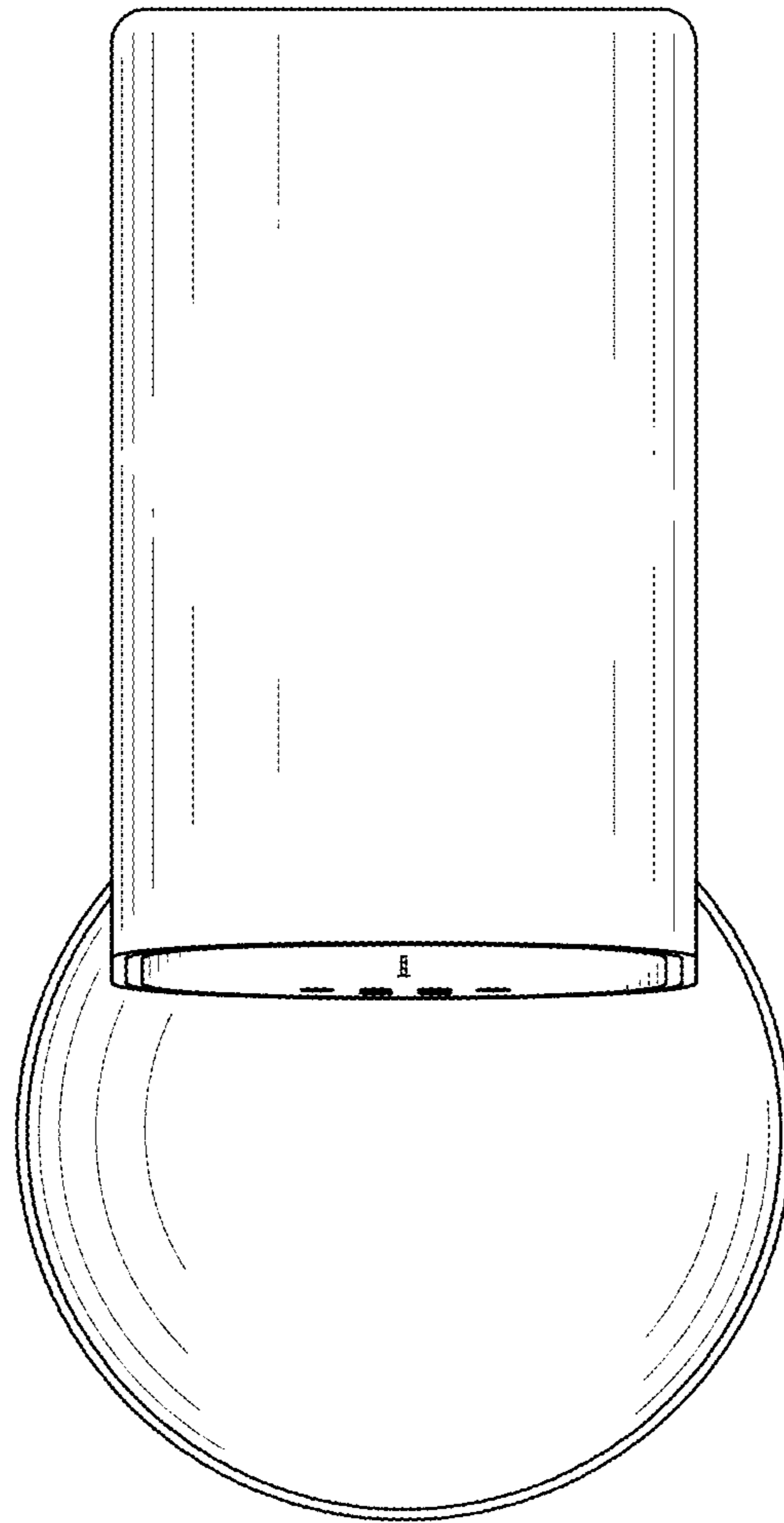


FIG. 6



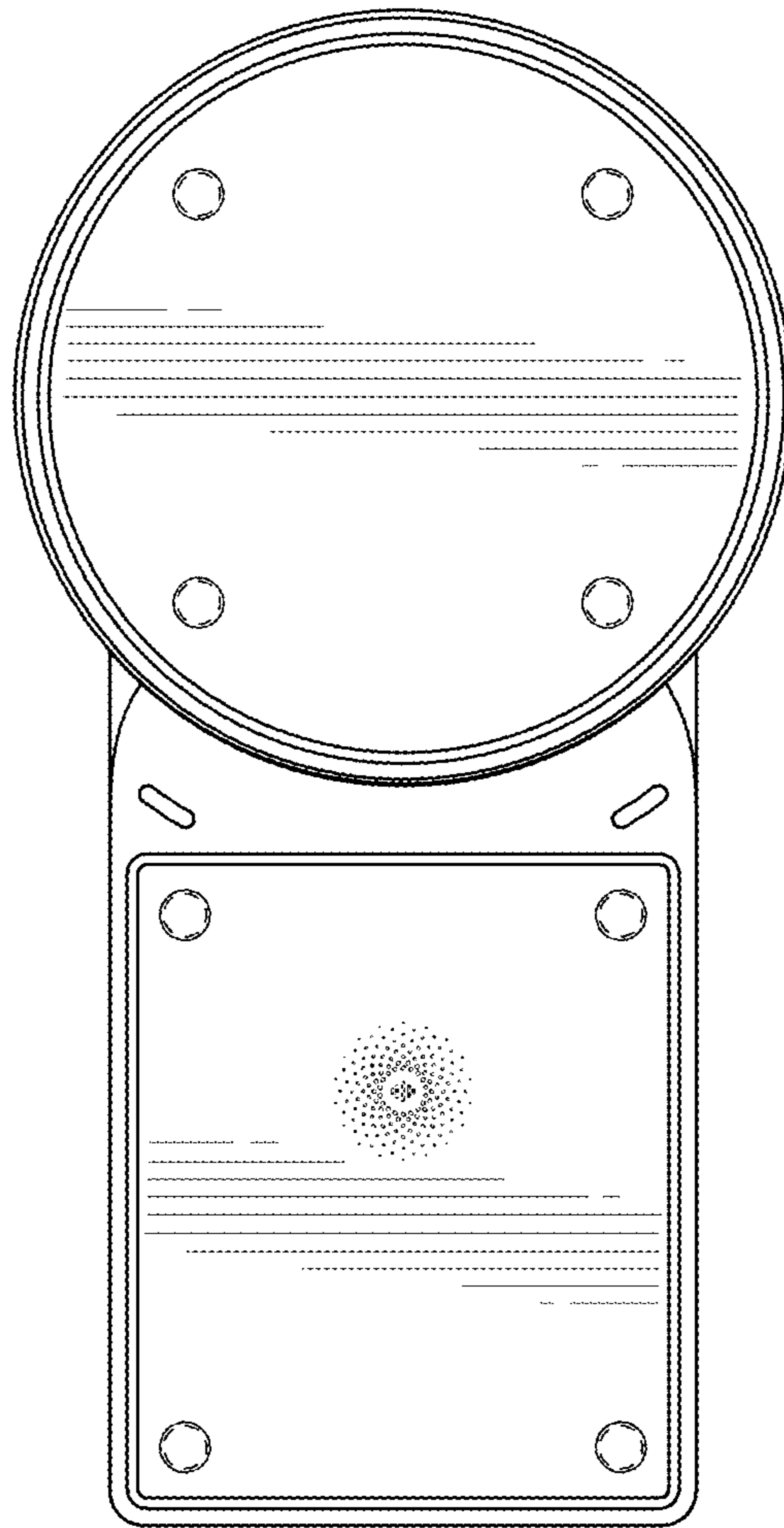


FIG. 7