



US00D935700S

(12) **United States Design Patent**
Lundberg

(10) **Patent No.:** **US D935,700 S**

(45) **Date of Patent:** **** Nov. 9, 2021**

(54) **FULL METAL JERSEY**

(71) Applicant: **Andrew R. Lundberg**, Columbus, OH
(US)

(72) Inventor: **Andrew R. Lundberg**, Columbus, OH
(US)

(**) Term: **15 Years**

(21) Appl. No.: **29/710,827**

(22) Filed: **Oct. 25, 2019**

(51) **LOC (13) Cl.** **29-02**

(52) **U.S. Cl.**

USPC **D29/101.3**

(58) **Field of Classification Search**

USPC D29/100, 101.1, 101.2, 101.3, 101.4,
D29/101.5; D2/840

CPC A41D 1/04; A41D 13/00; A41D 13/05;
A41D 13/0153; A41D 13/0518; A41D
27/26; A41D 13/015; F41H 5/0478; F41H
1/02; A63B 71/08; A63B 71/12; A63B
2071/1208

See application file for complete search history.

(56) **References Cited**

U.S. PATENT DOCUMENTS

- 3,739,397 A * 6/1973 Truelove A63B 71/12
2/462
- D270,776 S * 10/1983 Dawson D29/100
- D278,280 S * 4/1985 Gregory D29/100
- 4,590,621 A * 5/1986 Flosi A63B 71/12
2/462
- D286,946 S * 12/1986 Parks D29/101.3
- D296,595 S * 7/1988 Flosi D29/101.3
- D300,376 S * 3/1989 Tellini D29/101.3
- 5,060,314 A * 10/1991 Lewis F41H 1/02
2/2.5
- D356,400 S * 3/1995 Wagner D29/101.1
- 5,623,728 A * 4/1997 Wagner A63B 71/12
2/16

- 7,937,780 B2 * 5/2011 Matic F41H 1/02
2/465
- 7,987,526 B2 * 8/2011 Durham A41D 13/0153
2/467
- 8,024,820 B2 * 9/2011 Weimer A63B 71/12
2/463
- 8,082,602 B2 * 12/2011 Crelinsten A41D 13/05
2/455
- 8,146,169 B2 * 4/2012 Marchesi A41D 31/245
2/2.5
- D663,484 S * 7/2012 Best D29/101.3
(Continued)

OTHER PUBLICATIONS

Concept industrial (on-line), dated Oct. 20, 2020. Retrieved from Internet Dec. 9, 2020, URL: <https://web.archive.org/web/20201022183239/https://www.lundbergarts.com/concept> (4 pages) (Year: 2020).*

(Continued)

Primary Examiner — Kimberly Barnes

(74) *Attorney, Agent, or Firm* — Bryce D. Miracle

(57)

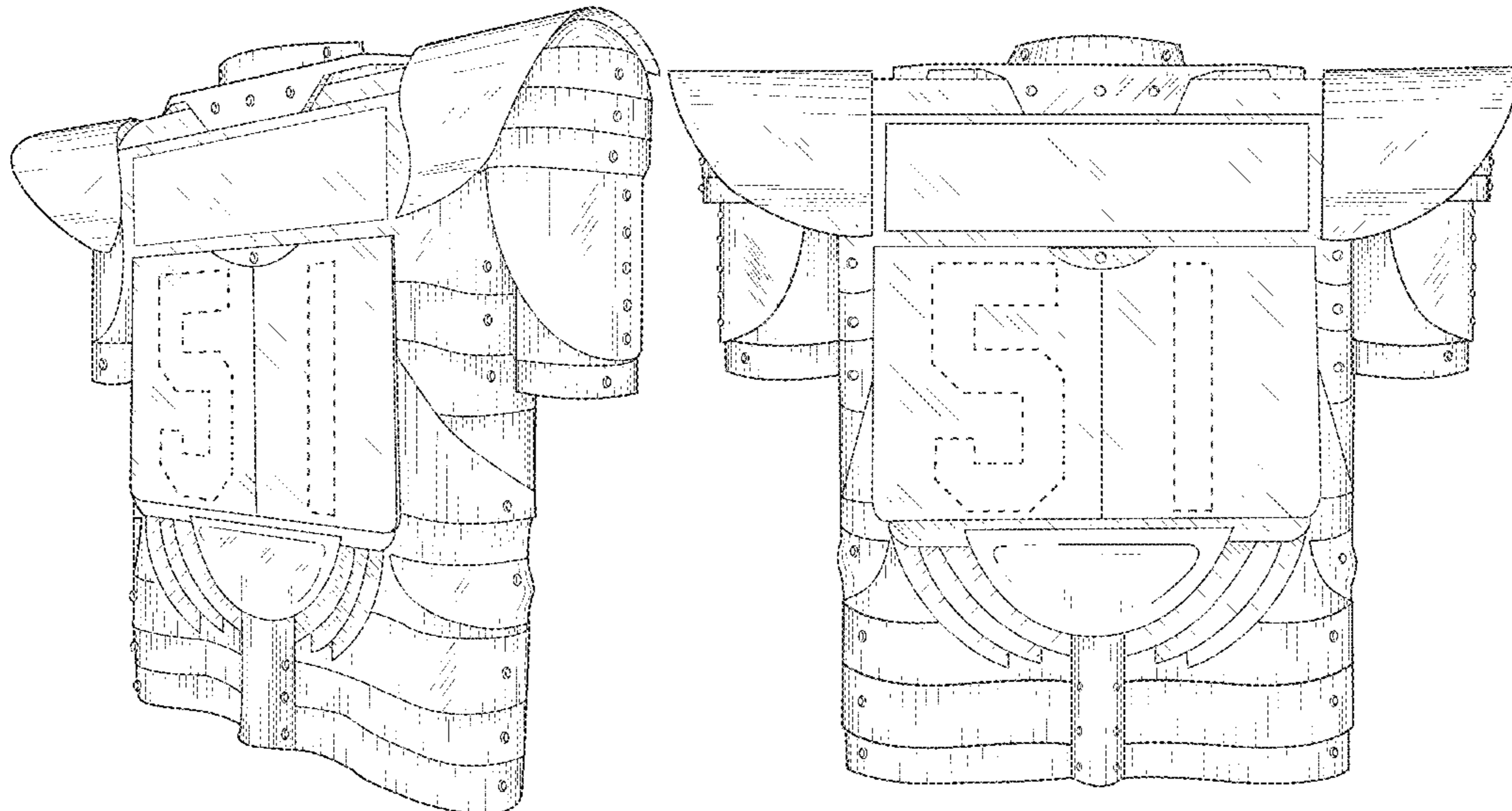
CLAIM

The ornamental design for a full metal jersey, substantially as shown and described.

DESCRIPTION

FIG. 1 is a front perspective view of a full metal jersey showing the new design;
FIG. 2 is a front view thereof;
FIG. 3 is a rear view thereof;
FIG. 4 is a left side view thereof;
FIG. 5 is right side view thereof;
FIG. 6 is a top view thereof; and,
FIG. 7 is a bottom view thereof.
The broken lines in the drawings depict portions of the full metal jersey that form no part of the claimed design.

1 Claim, 5 Drawing Sheets



(56)

References Cited

U.S. PATENT DOCUMENTS

8,214,929 B2 * 7/2012 Kraemer A41D 13/0512
2/459
8,266,727 B2 * 9/2012 Lee A41D 13/05
2/461
8,776,275 B2 * 7/2014 Kordecki A41D 13/0568
2/462
8,869,315 B2 * 10/2014 Contant A41D 13/0153
2/459
9,126,737 B2 * 9/2015 Pickering B65D 85/00
D804,728 S * 12/2017 Piombino D29/101.3
10,485,277 B2 * 11/2019 Pilon A63B 71/1291
2013/0312152 A1 * 11/2013 Paul A41D 13/015
2/16
2015/0369567 A1 * 12/2015 Hall F41H 1/02
89/36.05
2019/0313711 A1 * 10/2019 Williams A63B 71/12

OTHER PUBLICATIONS

Lundberg Industrial Arts (on-line), no date available. Retrieved from Internet Dec. 16, 2020, URL: <https://www.lundbergarts.com> (2 pages).*

* cited by examiner

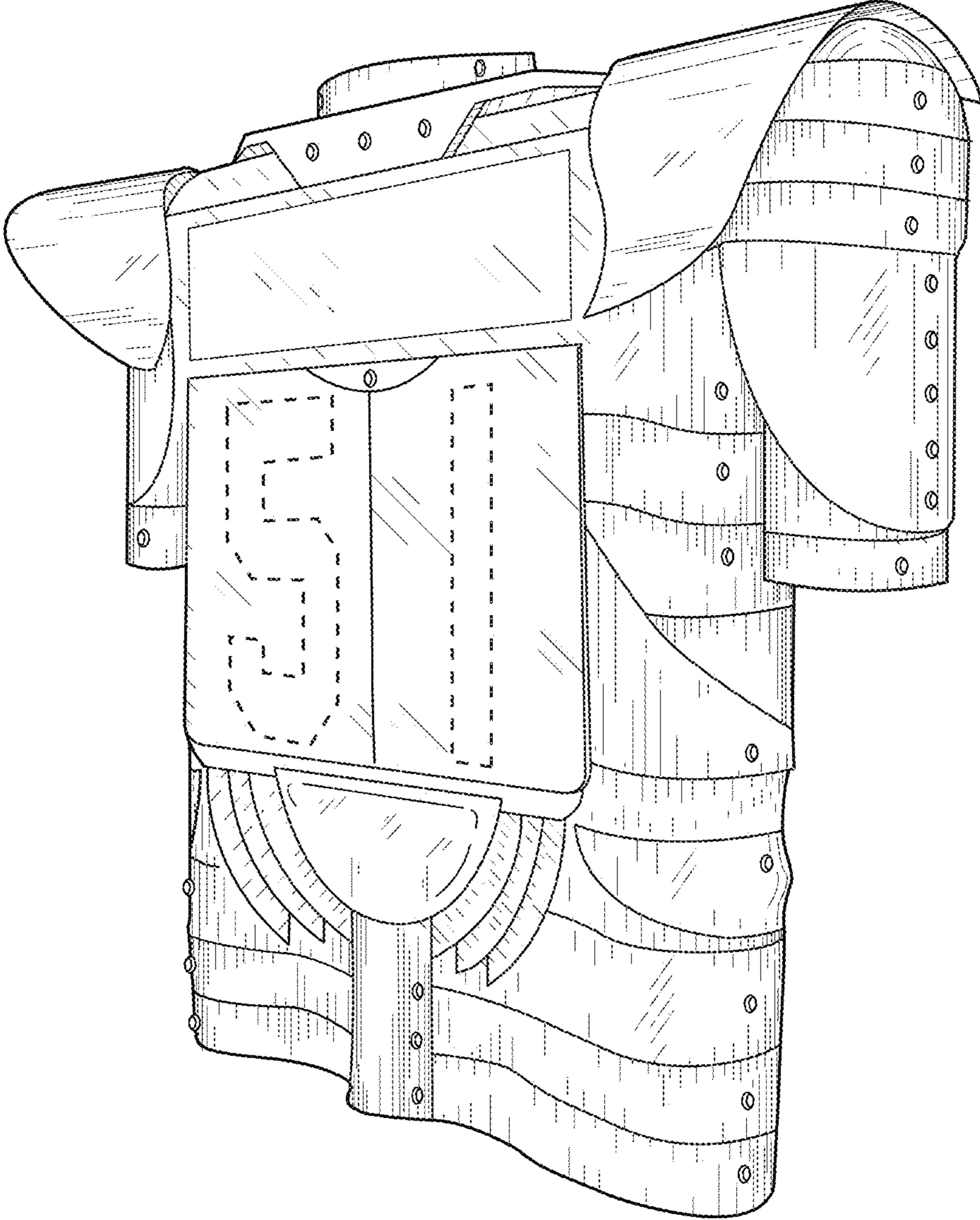


FIG. 1

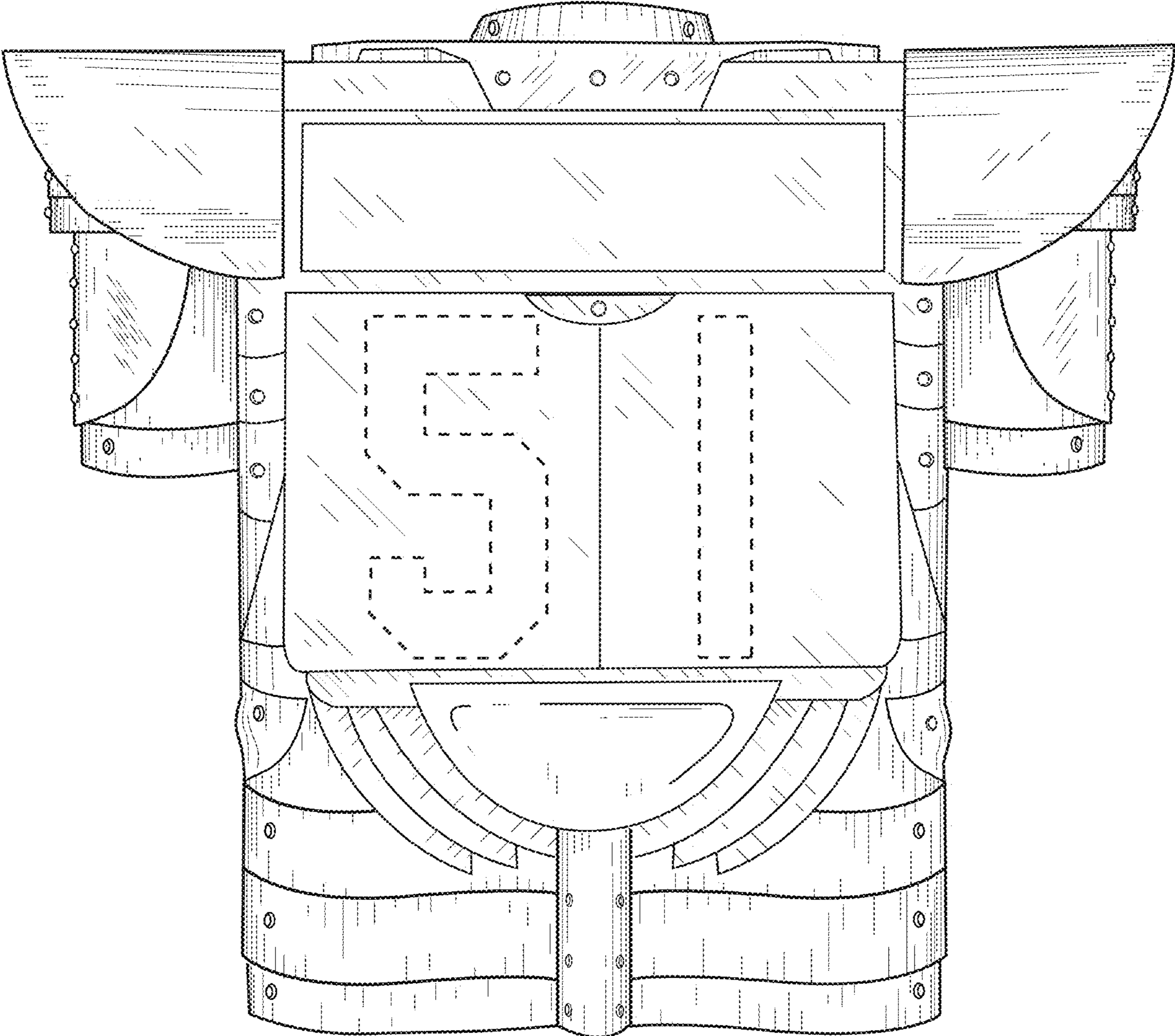


FIG. 2

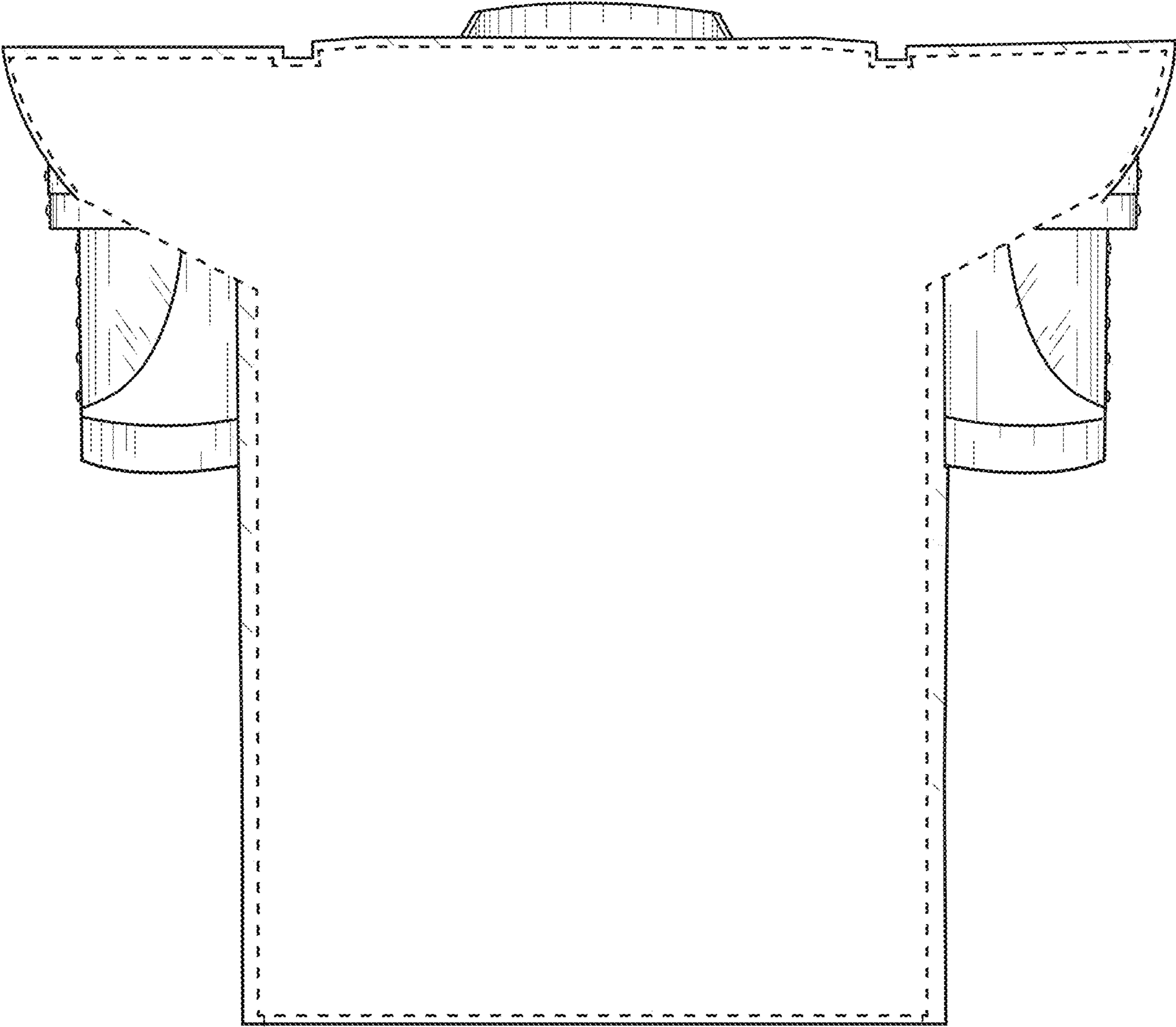


FIG. 3

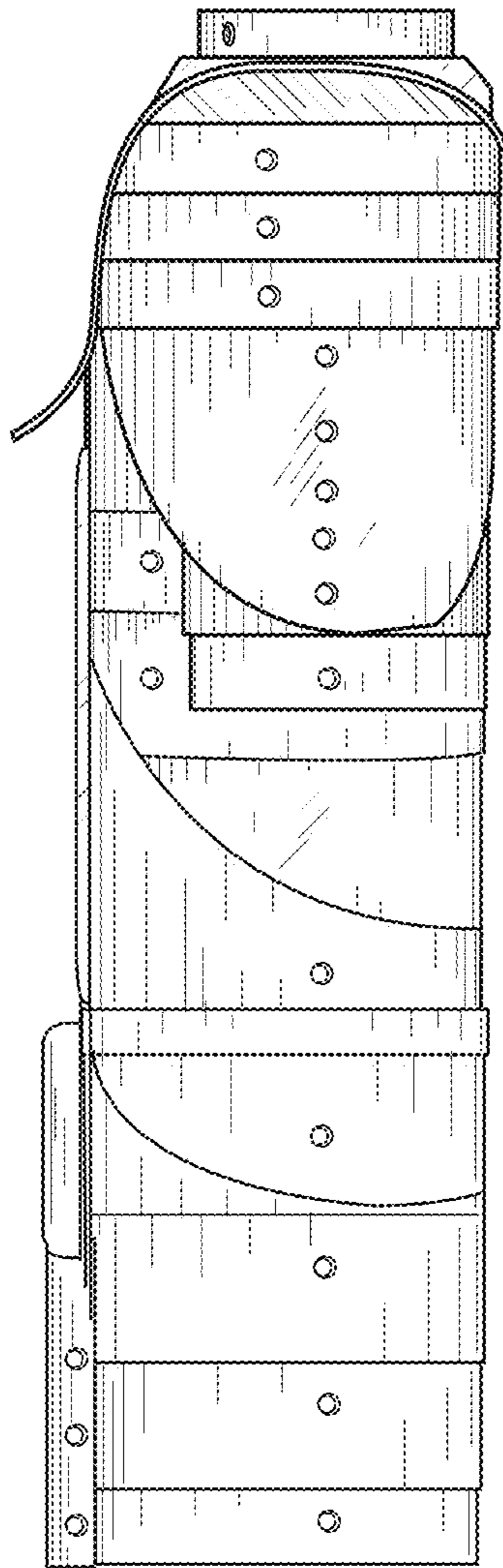


FIG. 4

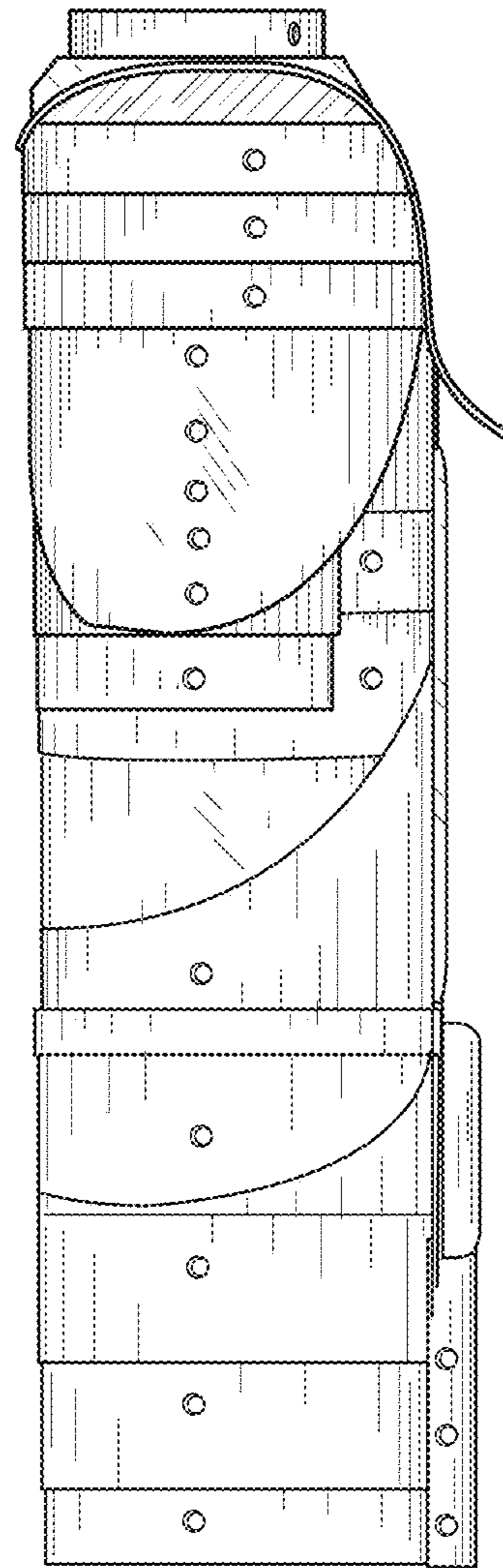


FIG. 5

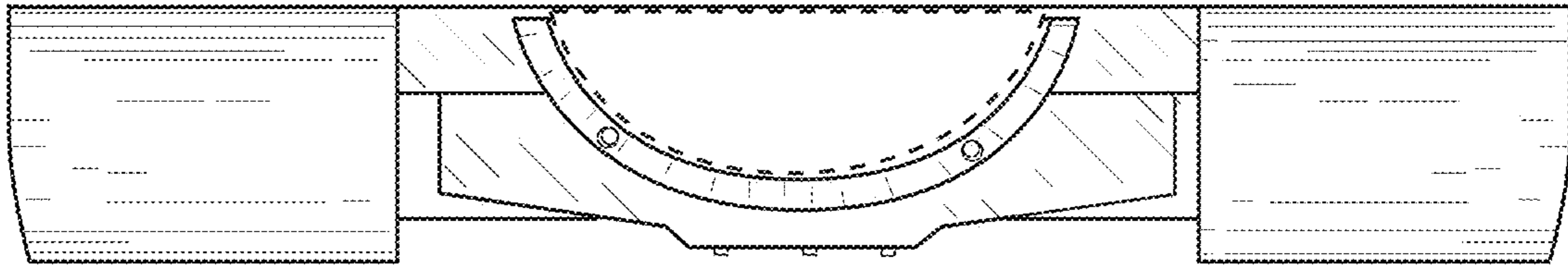


FIG. 6

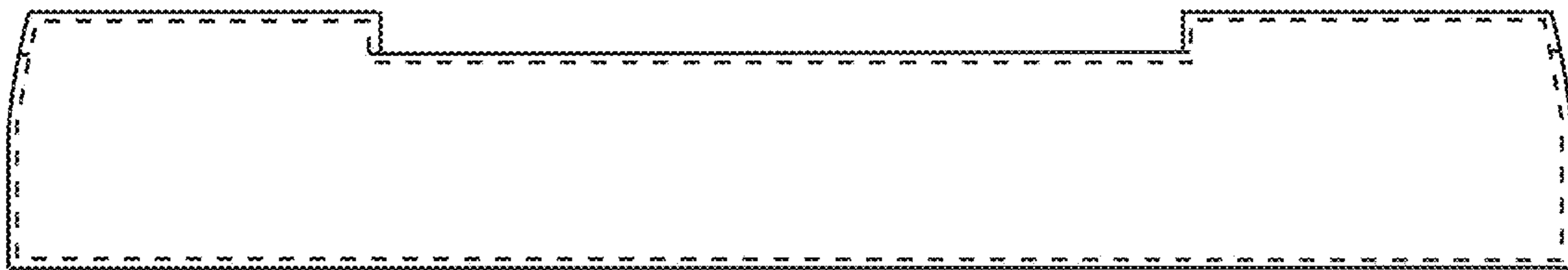


FIG. 7