



US00D935697S

(12) **United States Design Patent**  
**Prat-Pfister**

(10) **Patent No.:** **US D935,697 S**

(45) **Date of Patent:** **\*\* Nov. 9, 2021**

- (54) **SHAVER**
- (71) Applicant: **KONINKLIJKE PHILIPS N.V.**,  
Eindhoven (NL)
- (72) Inventor: **Gael Louis Jacques Prat-Pfister**,  
Amersfoort (NL)
- (73) Assignee: **KONINKLIJKE PHILIPS N.V.**,  
Eindhoven (NL)
- (\*\*) Term: **15 Years**
- (21) Appl. No.: **29/701,112**
- (22) Filed: **Aug. 8, 2019**
- (51) **LOC (13) Cl.** ..... **28-03**
- (52) **U.S. Cl.**  
USPC ..... **D28/50**
- (58) **Field of Classification Search**  
USPC ..... D28/50  
CPC ..... B26B 19/14-18; B26B 19/3853-3866;  
B26B 19/3873-3886  
See application file for complete search history.

D812,301 S *	3/2018	Yan	.....	D28/50
D824,103 S *	7/2018	Yan	.....	D28/50
D824,595 S *	7/2018	Yan	.....	D28/50
D856,583 S *	8/2019	Chen	.....	D28/50
D902,486 S *	11/2020	Andersson	.....	D28/50

\* cited by examiner

*Primary Examiner* — Jennifer Rivard

(57) **CLAIM**

The ornamental design for a shaver, as shown.

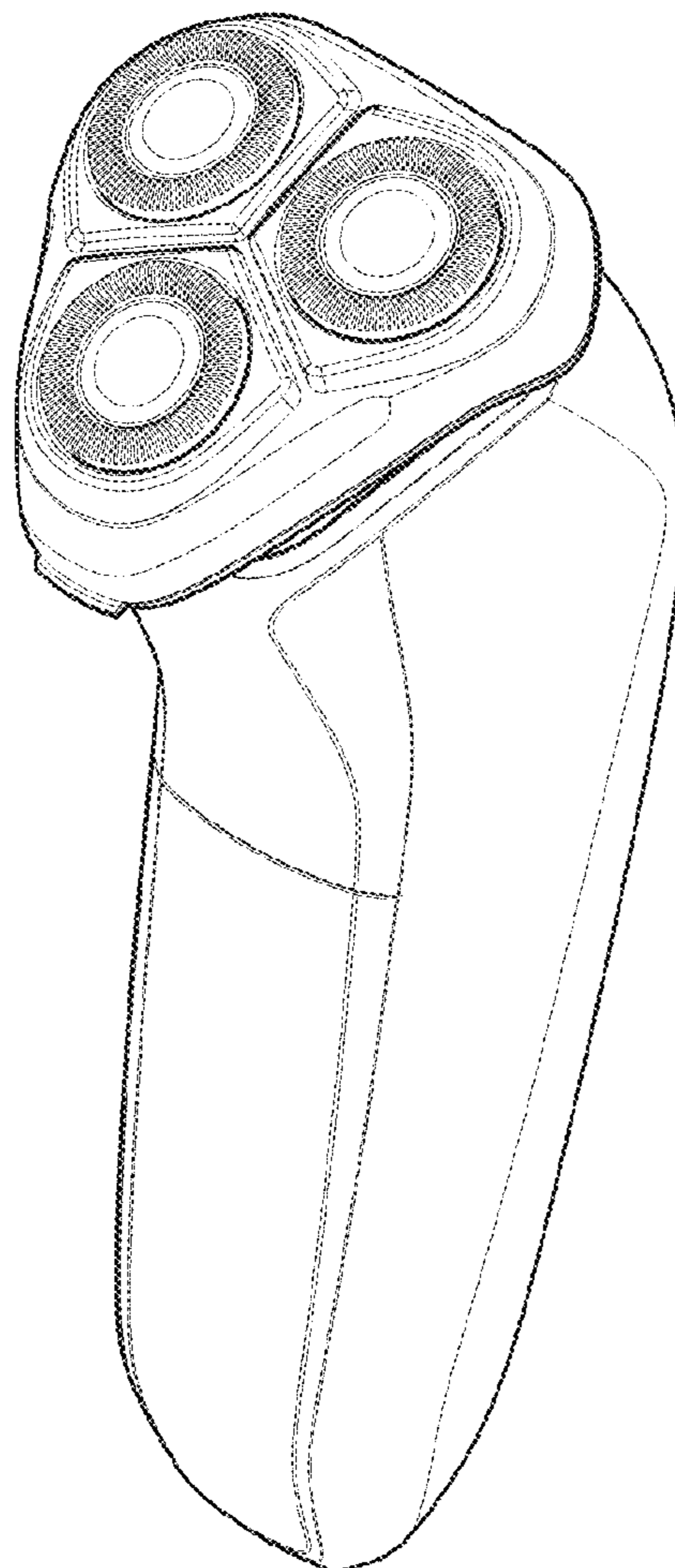
**DESCRIPTION**

FIG. 1 is a perspective view showing my design;  
FIG. 2 is a front elevational view thereof;  
FIG. 3 is a rear elevational view thereof;  
FIG. 4 is a right side elevational view thereof;  
FIG. 5 is a left side elevational view thereof;  
FIG. 6 is a top plan view thereof; and,  
FIG. 7 is a bottom plan view thereof.

(56) **References Cited**  
U.S. PATENT DOCUMENTS

D620,198 S *	7/2010	Nitz	.....	D28/50
9,409,301 B2 *	8/2016	Kuijper	.....	B26B 19/143

**1 Claim, 4 Drawing Sheets**



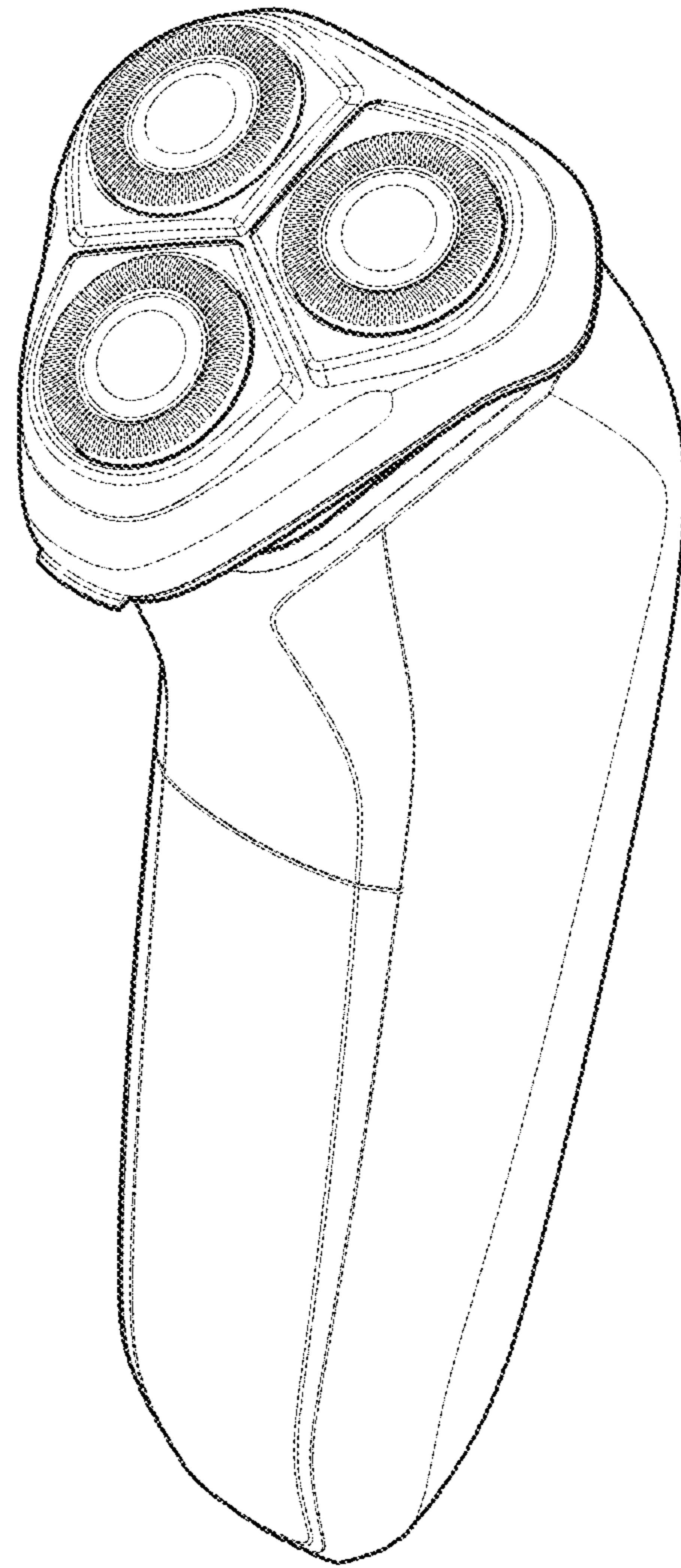


FIG. 1

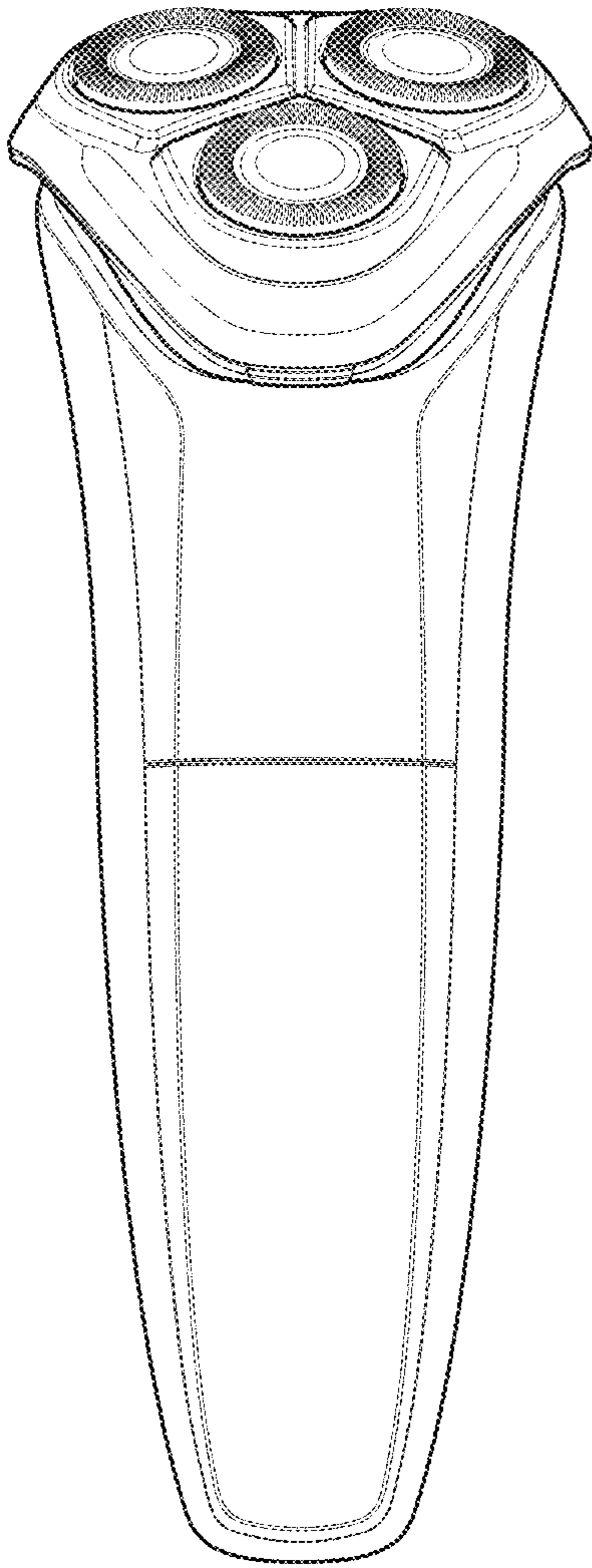


FIG. 2

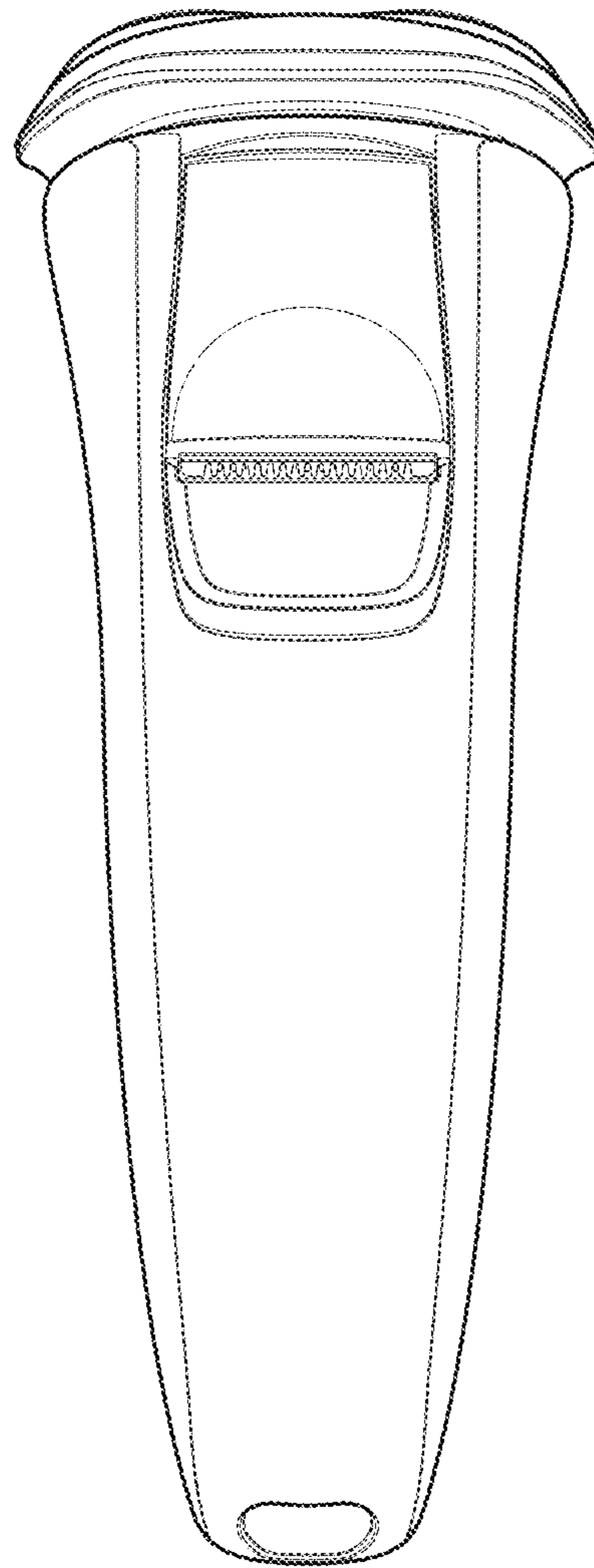


FIG. 3

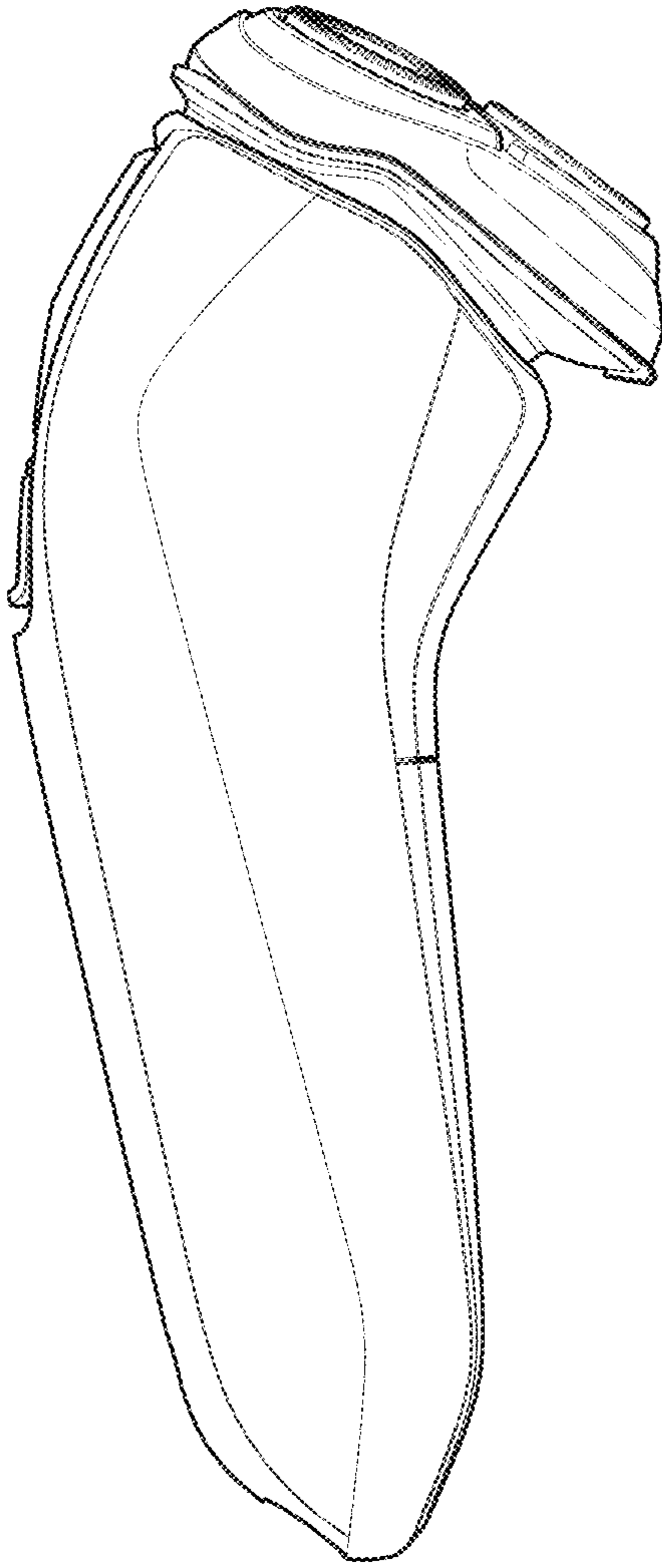


FIG. 4

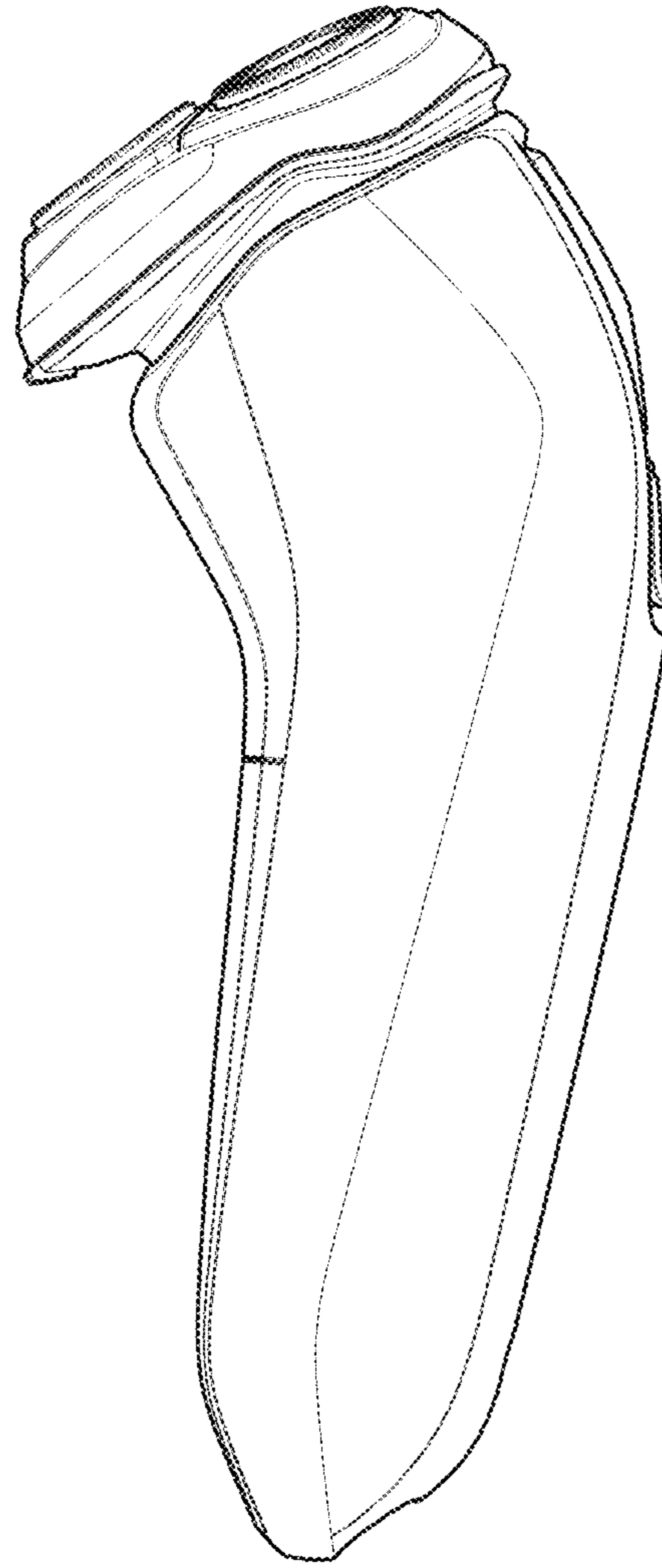


FIG. 5

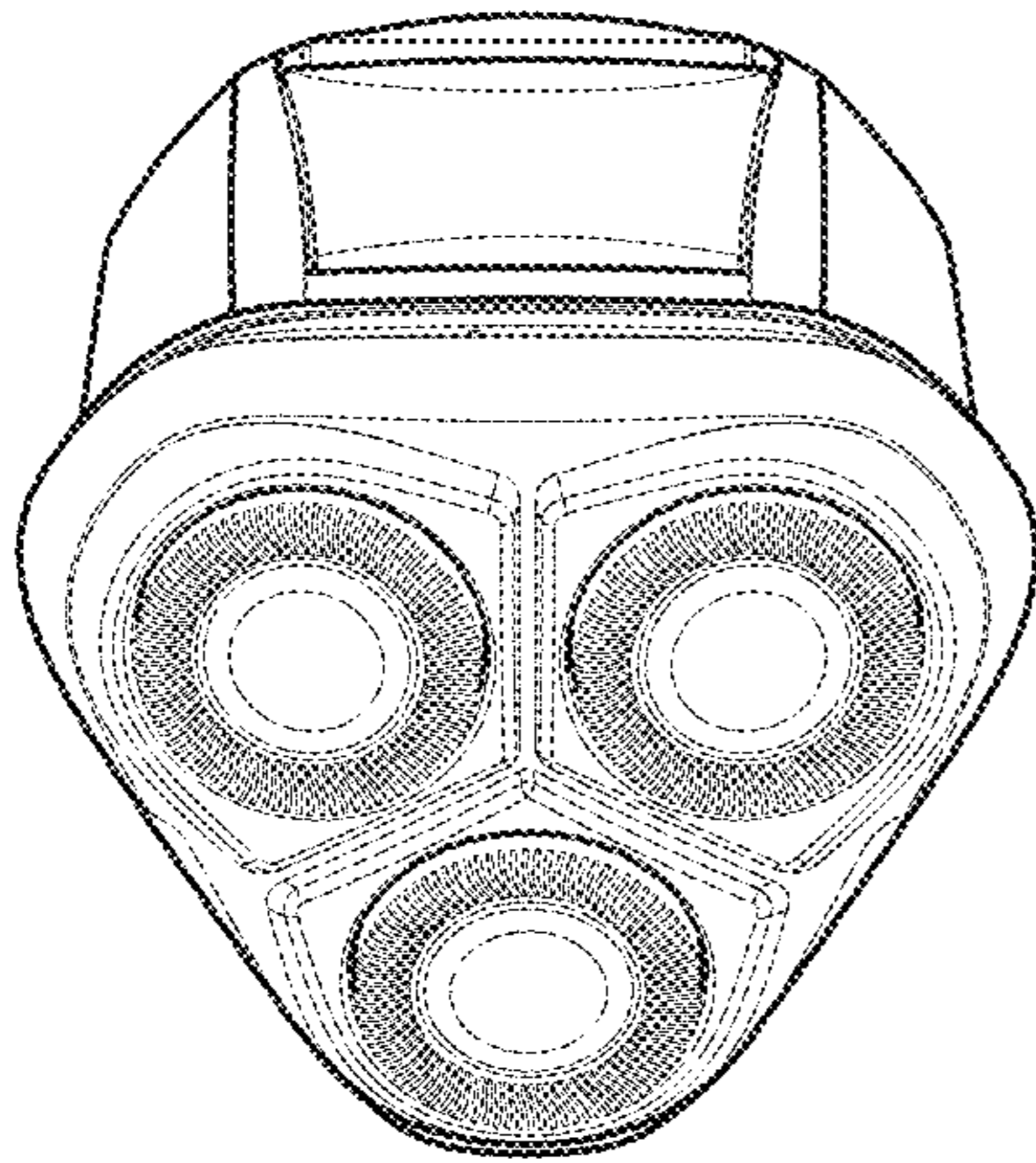


FIG. 6

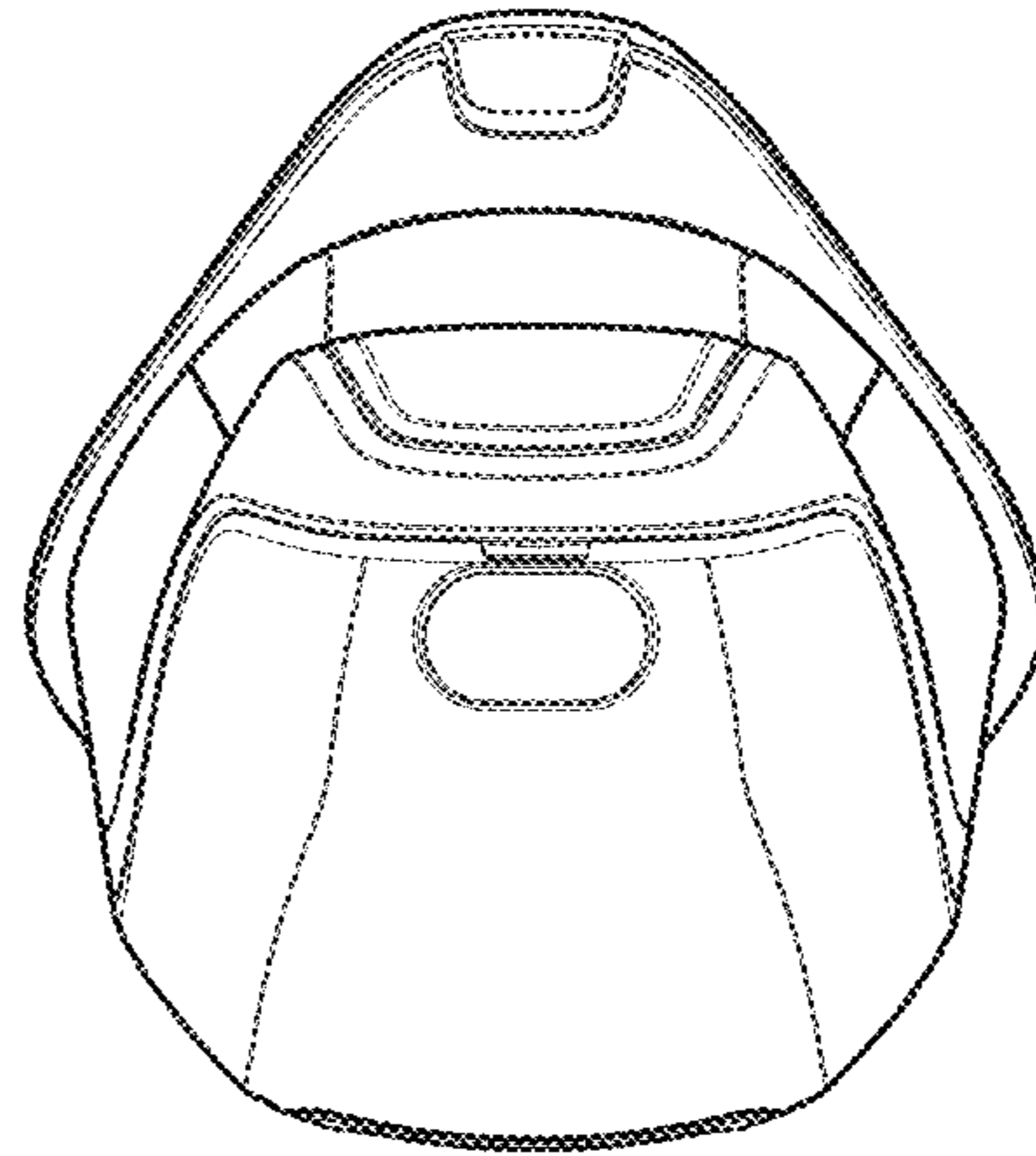


FIG. 7