



US00D935696S

(12) **United States Design Patent** (10) **Patent No.:** **US D935,696 S**
Shen (45) **Date of Patent:** **** Nov. 9, 2021**

(54) **RAZOR CARTRIDGE CONNECTOR**

(71) Applicant: **Edgewell Personal Care Brands, LLC**, Chesterfield, MO (US)

(72) Inventor: **Jia Jun Shen**, New Haven, CT (US)

(73) Assignee: **EDGEWELL PERSONAL CARE BRANDS, LLC**, Chesterfield, MO (US)

(**) Term: **15 Years**

(21) Appl. No.: **29/722,867**

(22) Filed: **Feb. 3, 2020**

(51) **LOC (13) Cl.** **28-03**

(52) **U.S. Cl.**
 USPC **D28/47**

(58) **Field of Classification Search**
 USPC D28/46-48
 CPC ... B26B 21/521; B26B 21/528; B26B 21/227;
 B26B 21/225; B26B 21/222
 See application file for complete search history.

D694,469 S 11/2013 Floyd et al.
 8,793,880 B2 * 8/2014 Taub B26B 21/521
 30/50
 D737,513 S * 8/2015 Lettenberger D28/47
 D741,008 S * 10/2015 Bruno D28/47
 D772,484 S 11/2016 Otsuka
 D775,423 S * 12/2016 Bae D28/47
 D789,606 S * 6/2017 Lee D28/47
 D789,607 S 6/2017 Lee et al.
 D819,272 S * 5/2018 Evarts D28/47
 D827,200 S * 8/2018 Washington D28/47
 D863,681 S * 10/2019 Jin D28/48
 D917,783 S * 4/2021 Lee D28/47
 2019/0337174 A1 11/2019 Kopelas et al.

FOREIGN PATENT DOCUMENTS

WO 2019046097 A1 3/2019

* cited by examiner

Primary Examiner — Jennifer Rivard

(57) **CLAIM**

I claim the ornamental design for the razor cartridge connector, as shown and described.

DESCRIPTION

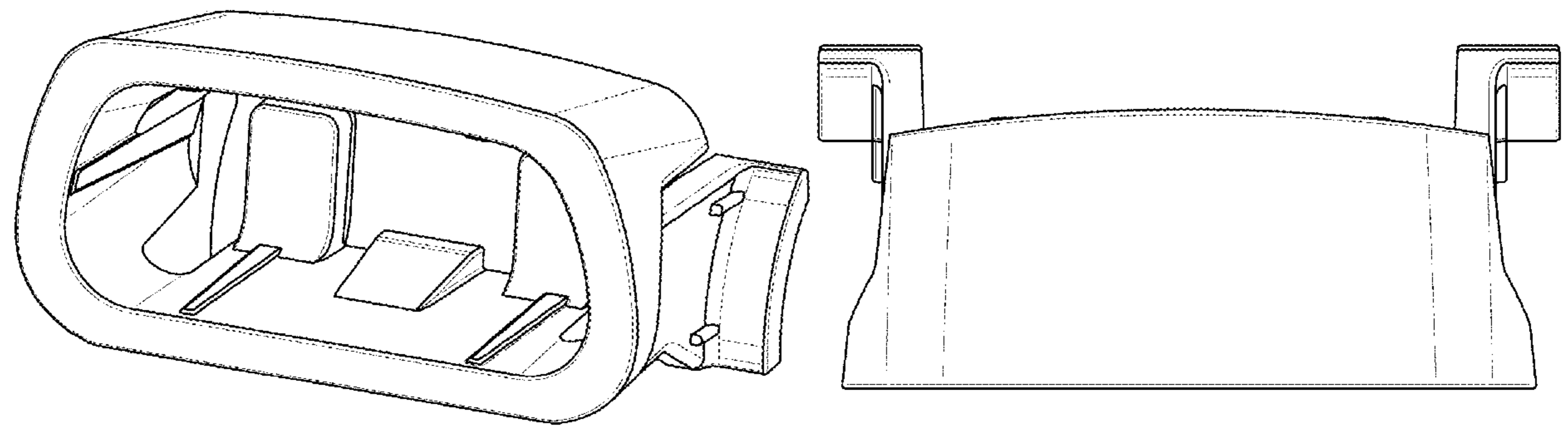
FIG. 1 is an upper perspective view of a razor cartridge connector.
 FIG. 2 is a lower perspective view thereof.
 FIG. 3 is a bottom view thereof.
 FIG. 4 is a top view thereof.
 FIG. 5 is a front view thereof.
 FIG. 6 is a rear view, opposite the view of FIG. 5.
 FIG. 7 is a side view thereof; and,
 FIG. 8 is a side view, opposite the view of FIG. 7.

1 Claim, 4 Drawing Sheets

(56) **References Cited**

U.S. PATENT DOCUMENTS

4,922,609 A * 5/1990 Grange B26B 21/521
 30/57
 D533,684 S 12/2006 Gray et al.
 7,168,173 B2 1/2007 Worrick, III
 D556,378 S 11/2007 Watson et al.
 D575,454 S 8/2008 Keene et al.
 D603,097 S * 10/2009 Cataudella D28/47
 D617,946 S 6/2010 Lukan et al.
 8,033,023 B2 10/2011 Johnson et al.
 D664,712 S * 7/2012 Christie D28/47
 D664,713 S * 7/2012 Christie D28/47



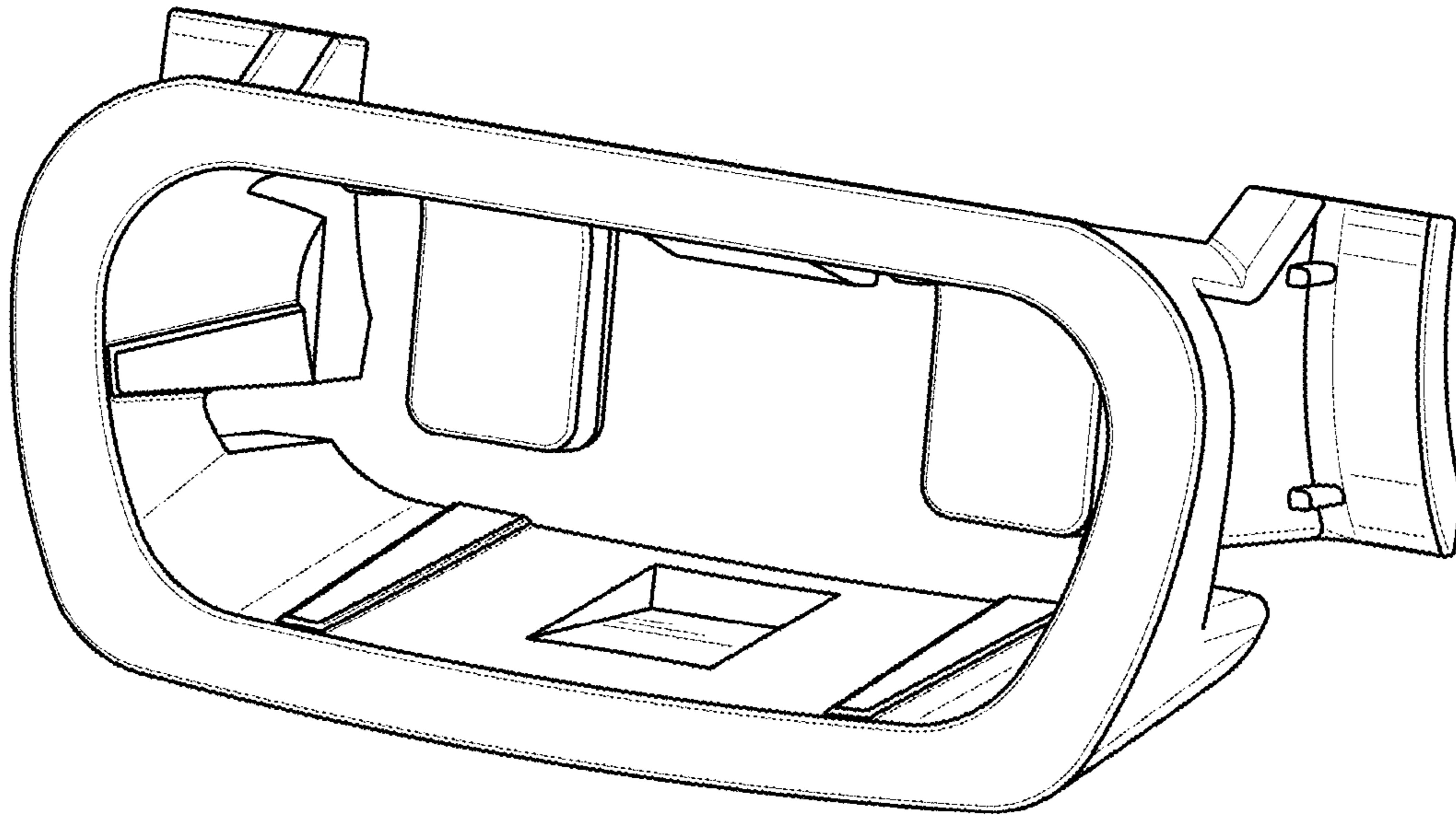


FIG. 1

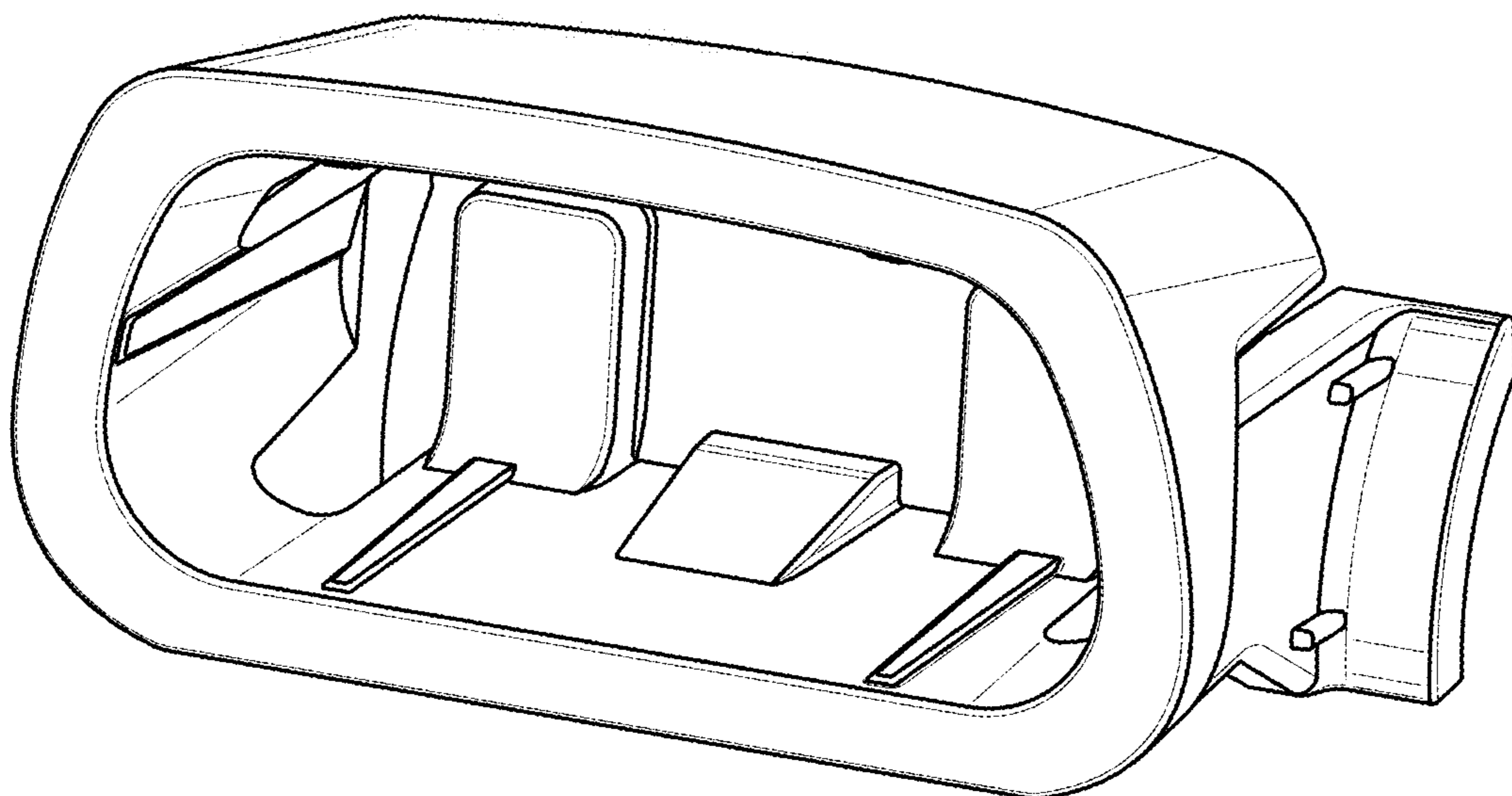


FIG. 2

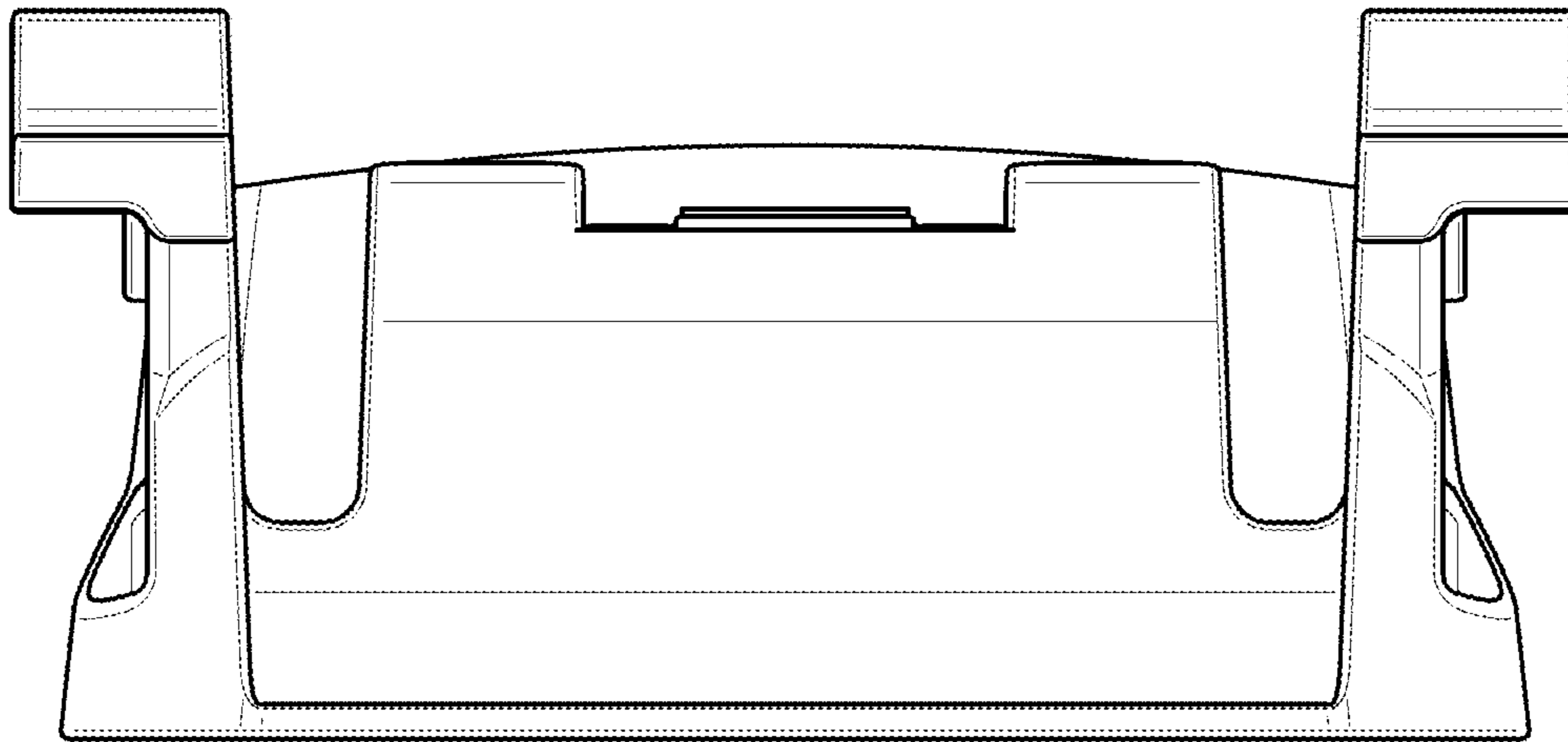


FIG. 3

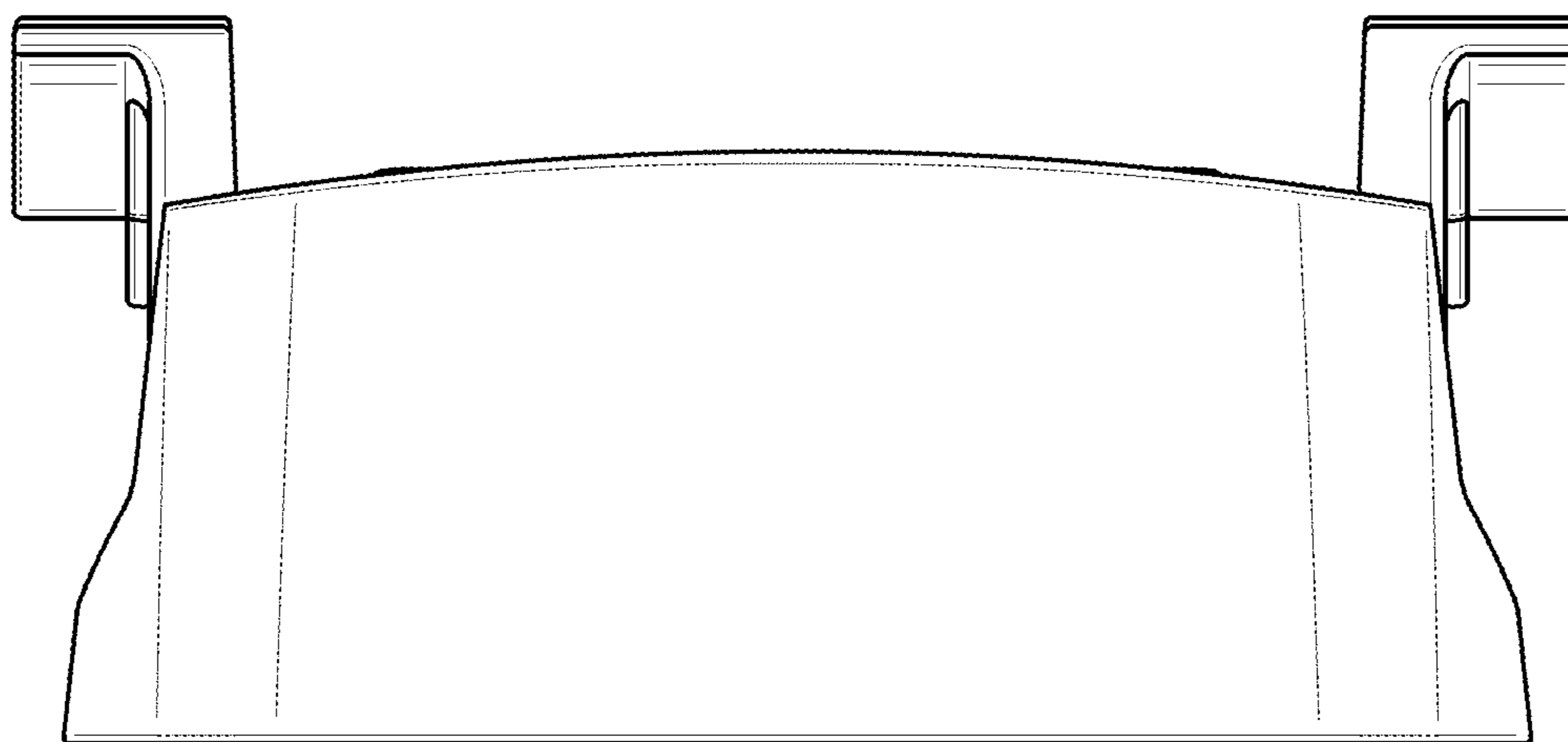


FIG. 4

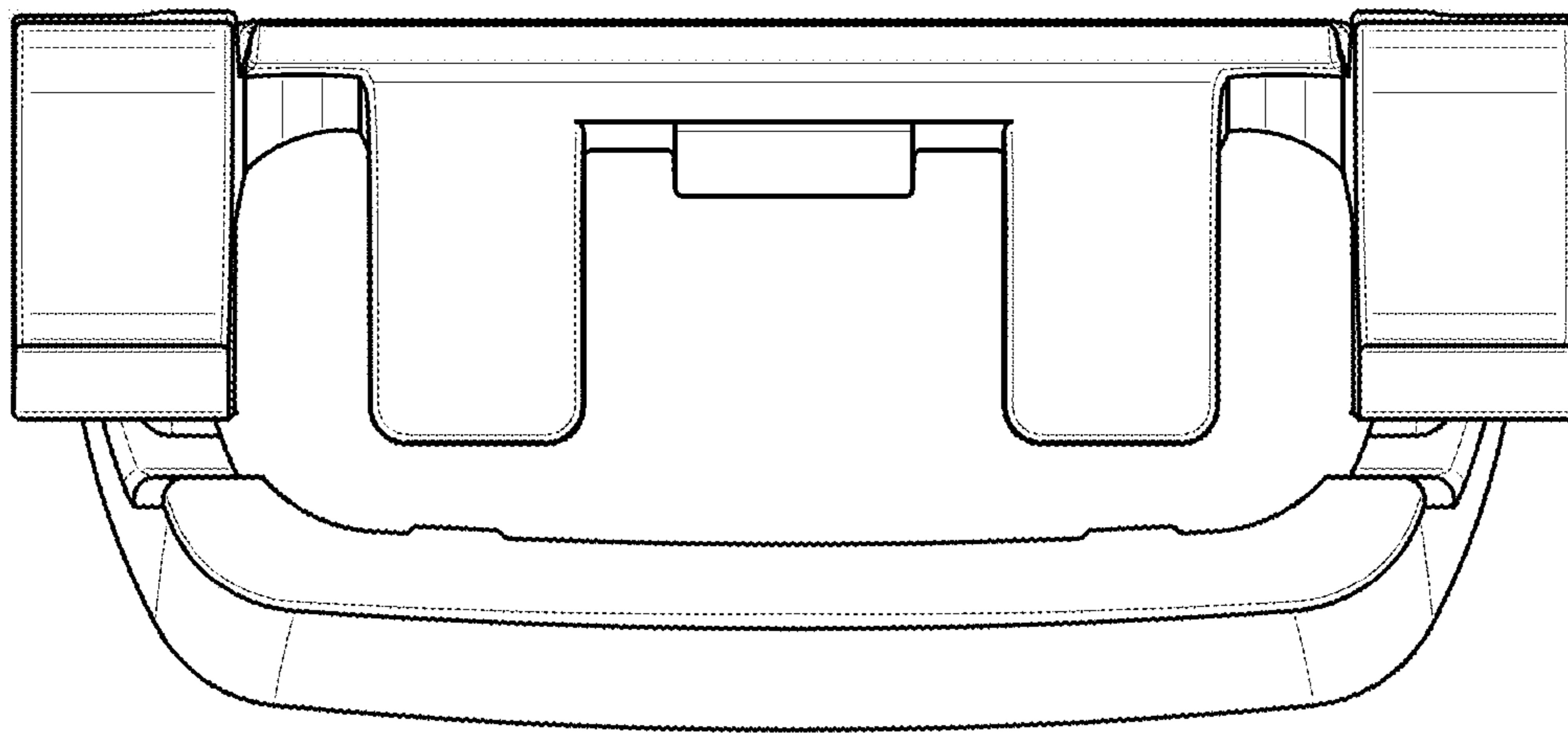


FIG. 5

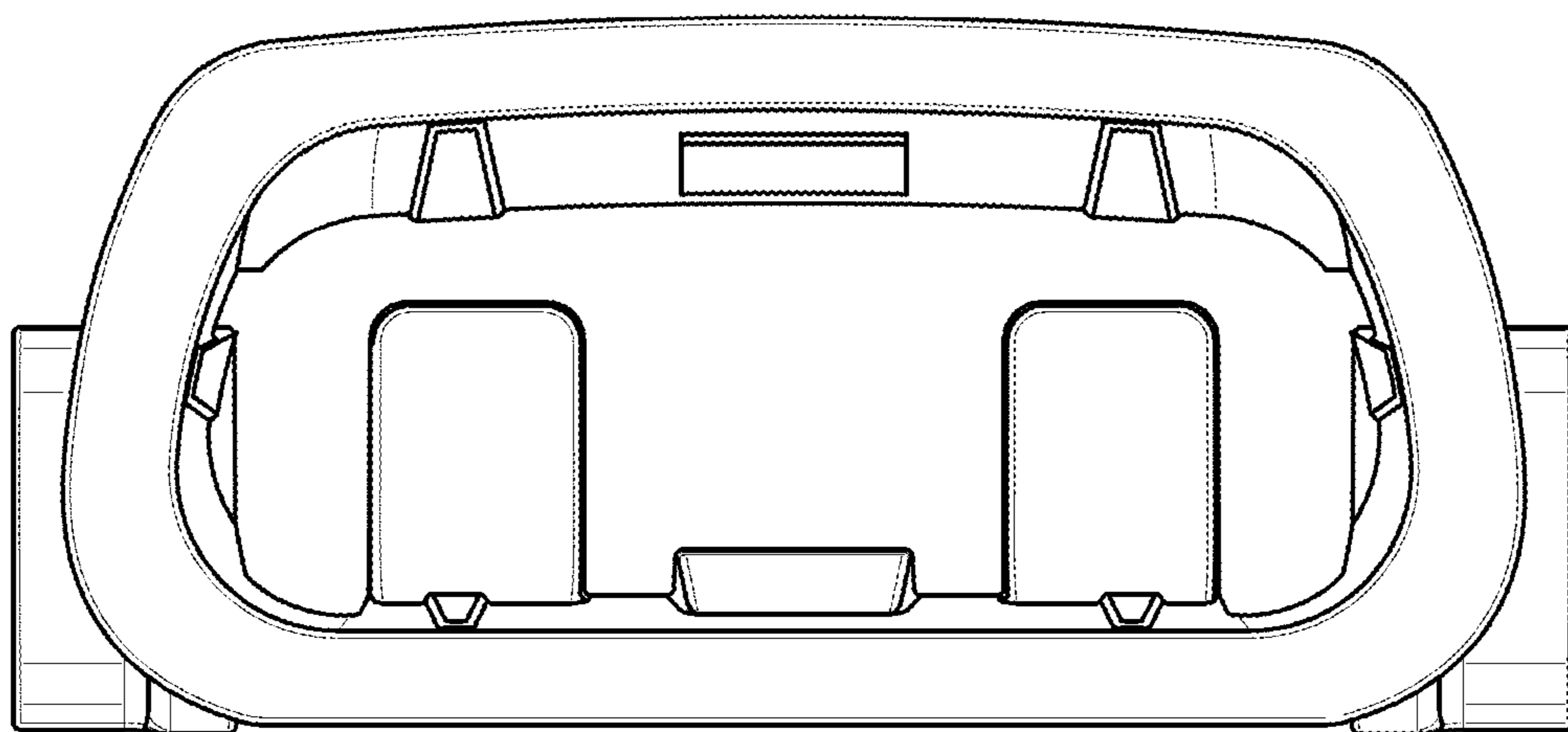


FIG. 6

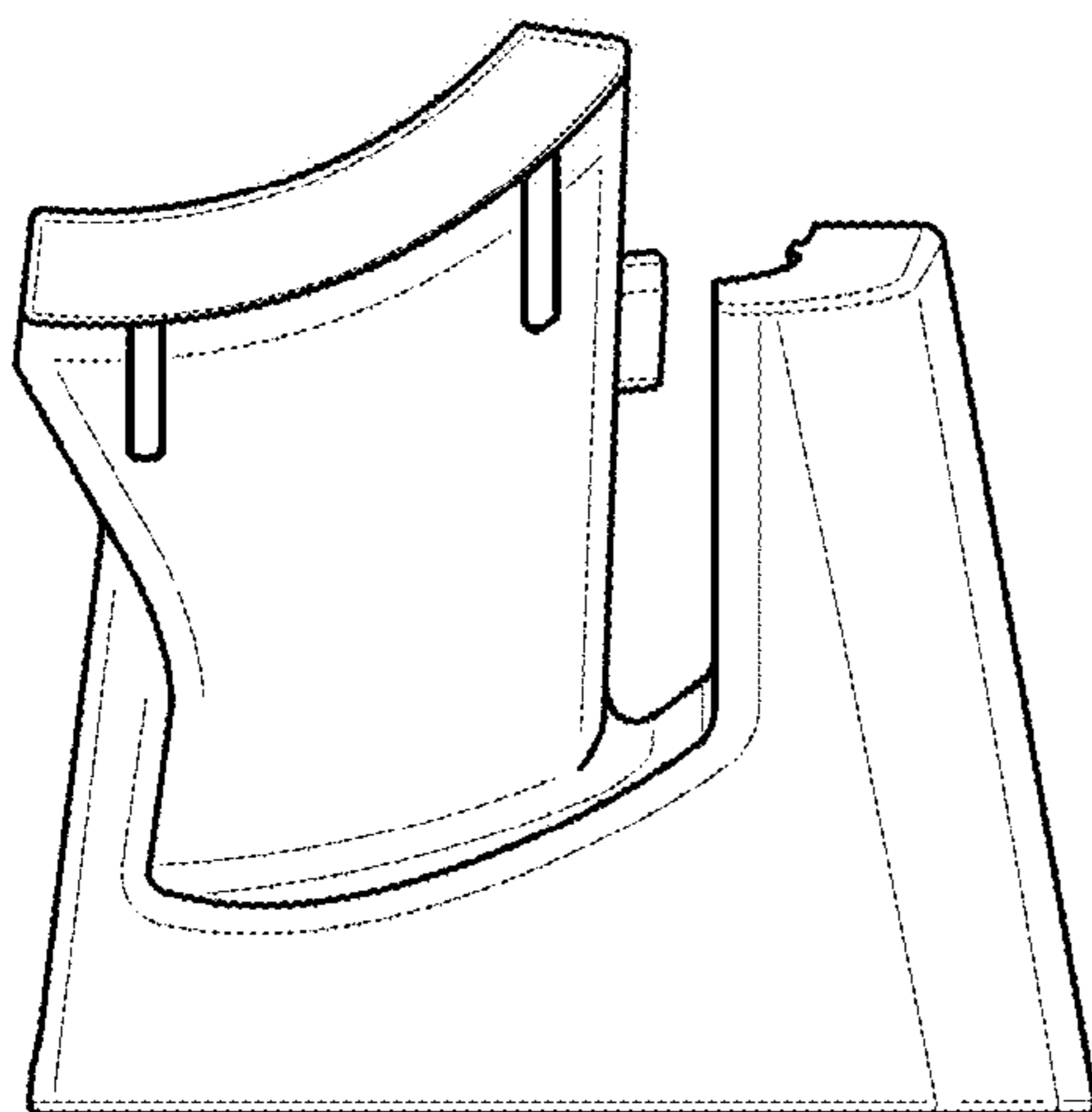


FIG. 7

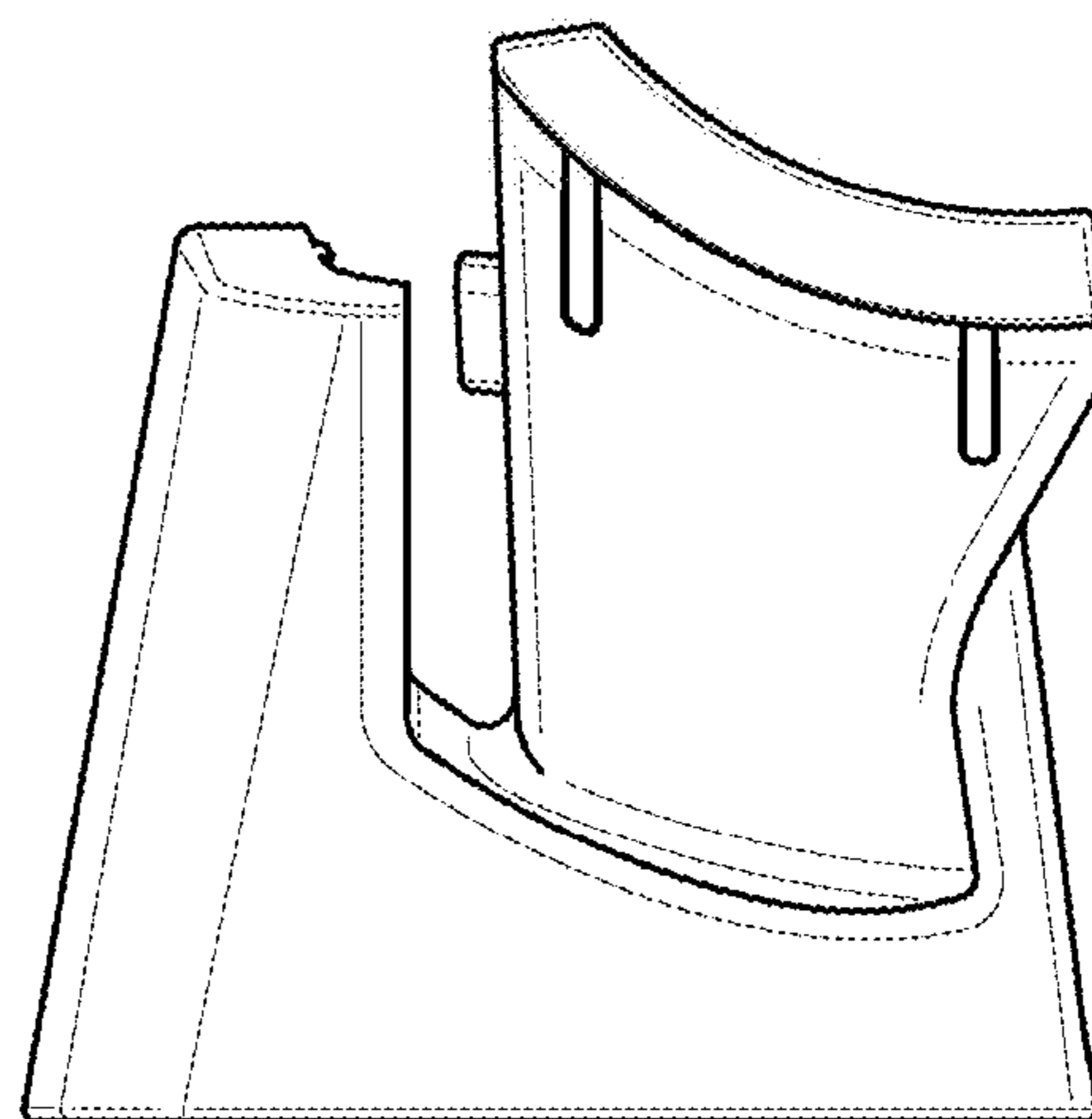


FIG. 8