



US00D935695S

(12) **United States Design Patent** (10) **Patent No.:** **US D935,695 S**
Roche (45) **Date of Patent:** **** Nov. 9, 2021**

(54) **RAZOR CARTRIDGE CONNECTOR**

8,793,880 B2 * 8/2014 Taub B26B 21/521
30/50

(71) Applicant: **Edgewell Personal Care Brands, LLC**, Chesterfield, MO (US)

D737,513 S * 8/2015 Lettenberger D28/47
D741,008 S * 10/2015 Bruno D28/47

(72) Inventor: **Donald Roche**, Orange, CT (US)

D772,484 S 11/2016 Otsuka

(73) Assignee: **EDGEWELL PERSONAL CARE BRANDS, LLC**, Chesterfield, MO (US)

D775,423 S * 12/2016 Bae D28/47
D789,606 S * 6/2017 Lee D28/47

(**) Term: **15 Years**

D789,607 S 6/2017 Lee et al.

(21) Appl. No.: **29/722,866**

D819,272 S * 5/2018 Evarts D28/47
D827,200 S * 8/2018 Washington D28/47

(22) Filed: **Feb. 3, 2020**

D863,681 S * 10/2019 Jin D28/48
D917,783 S * 4/2021 Lee D28/47

(51) **LOC (13) Cl.** **28-03**

FOREIGN PATENT DOCUMENTS

(52) **U.S. Cl.**
USPC **D28/47**

WO 2019046097 A1 3/2019

(58) **Field of Classification Search**
USPC D28/46-48
CPC ... B26B 21/521; B26B 21/528; B26B 21/227;
B26B 21/225; B26B 21/222
See application file for complete search history.

* cited by examiner

Primary Examiner — Jennifer Rivard

(57) **CLAIM**

I claim the ornamental design for the razor cartridge connector, as shown and described.

(56) **References Cited**

DESCRIPTION

U.S. PATENT DOCUMENTS

4,922,609 A * 5/1990 Grange B26B 21/521
30/57

D533,684 S 12/2006 Gray et al.

7,168,173 B2 1/2007 Worrick, III

D556,378 S 11/2007 Watson et al.

D575,454 S 8/2008 Keene et al.

D603,097 S * 10/2009 Cataudella D28/47

D617,946 S 6/2010 Lukan et al.

8,033,023 B2 10/2011 Johnson et al.

D664,712 S * 7/2012 Christie D28/47

D664,713 S * 7/2012 Christie D28/47

D694,469 S 11/2013 Floyd et al.

FIG. 1 is an upper perspective view of a razor cartridge connector.

FIG. 2 is a lower perspective view thereof.

FIG. 3 is another lower perspective view.

FIG. 4 is a front view thereof.

FIG. 5 is a rear view thereof, opposite FIG. 4.

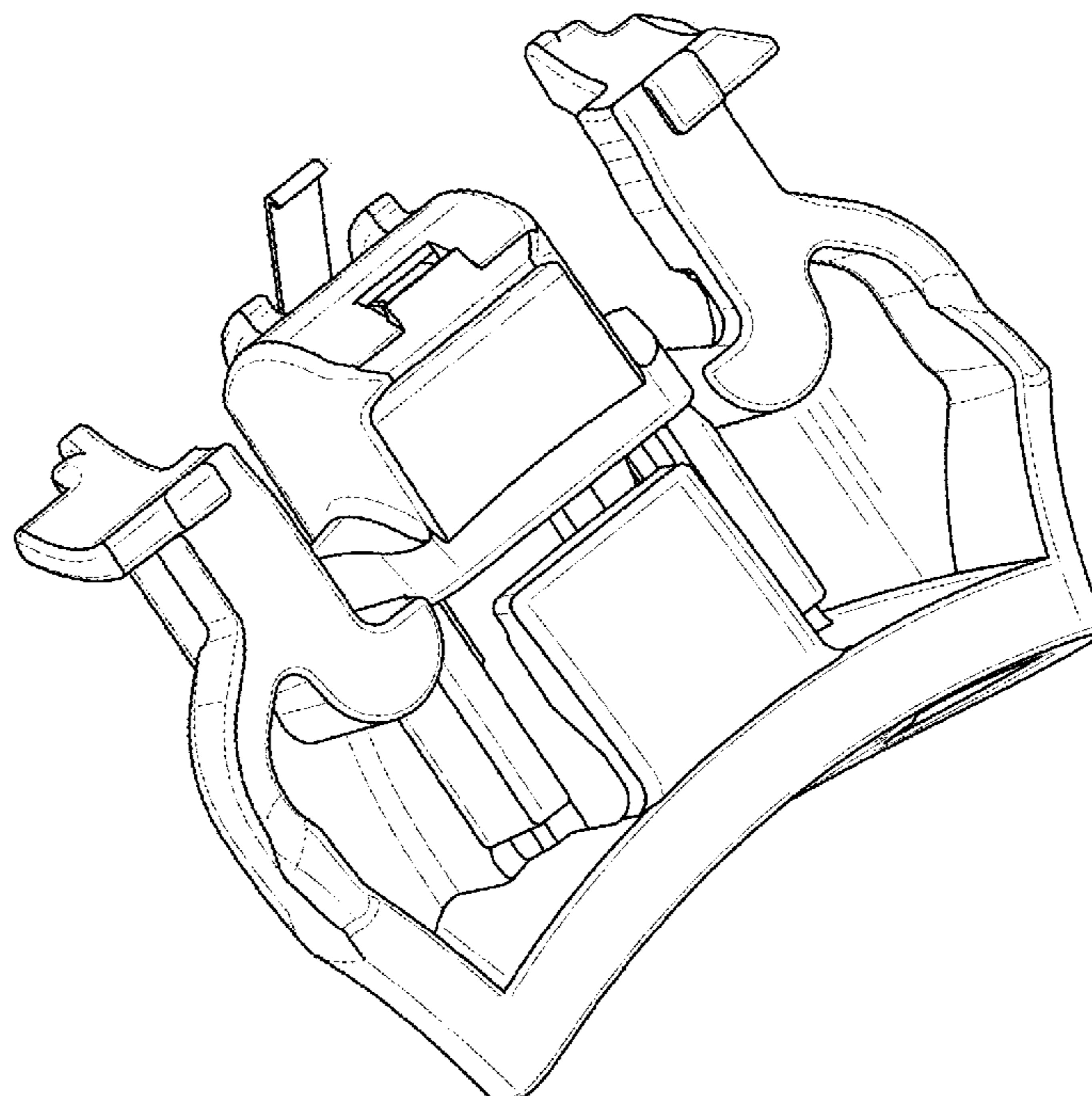
FIG. 6 is a top view thereof.

FIG. 7 is a bottom view thereof, opposite FIG. 6.

FIG. 8 is a side view thereof; and,

FIG. 9 is a side view, opposite the view of FIG. 8.

1 Claim, 6 Drawing Sheets



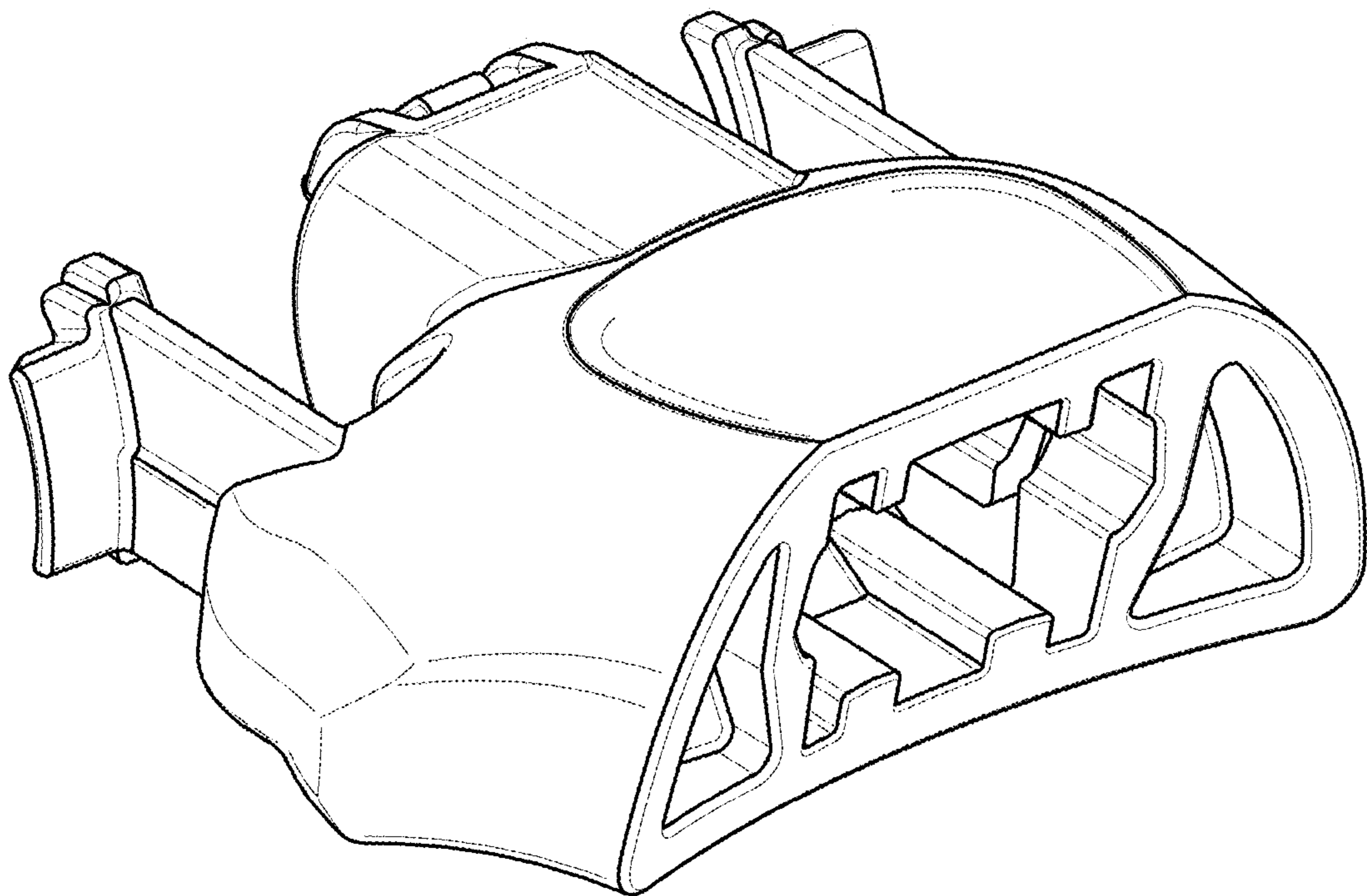


FIG. 1

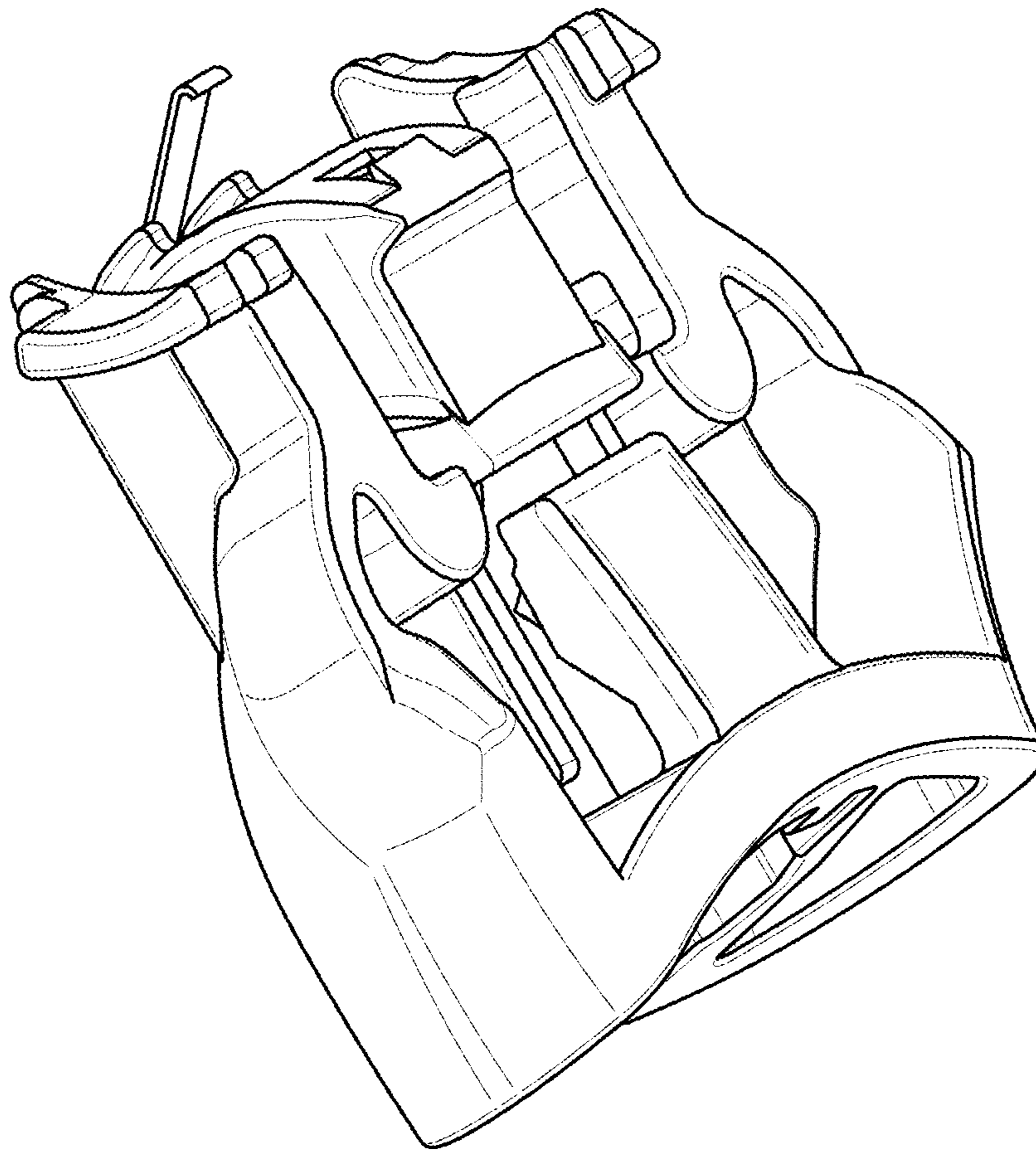


FIG. 2

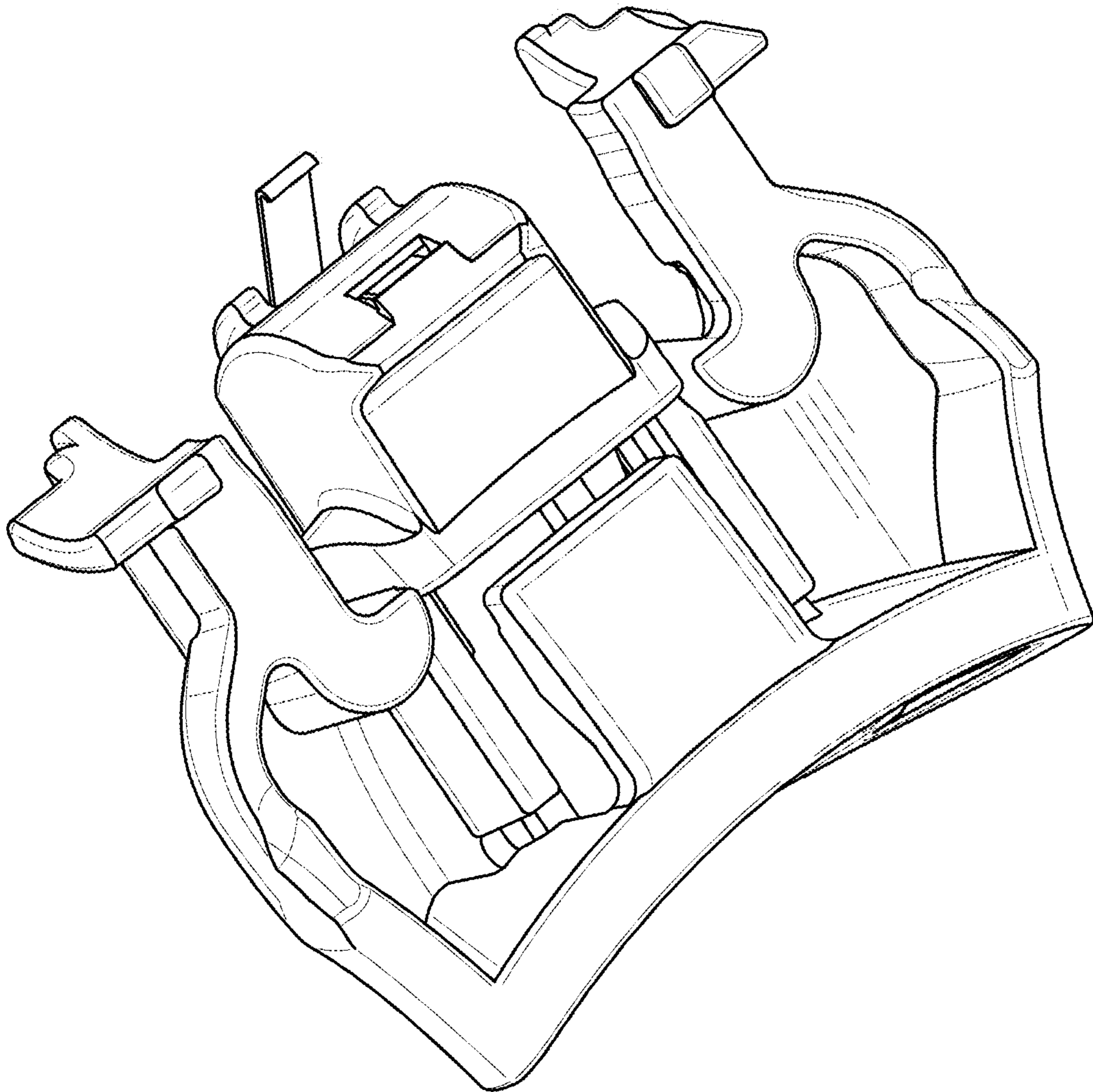


FIG. 3

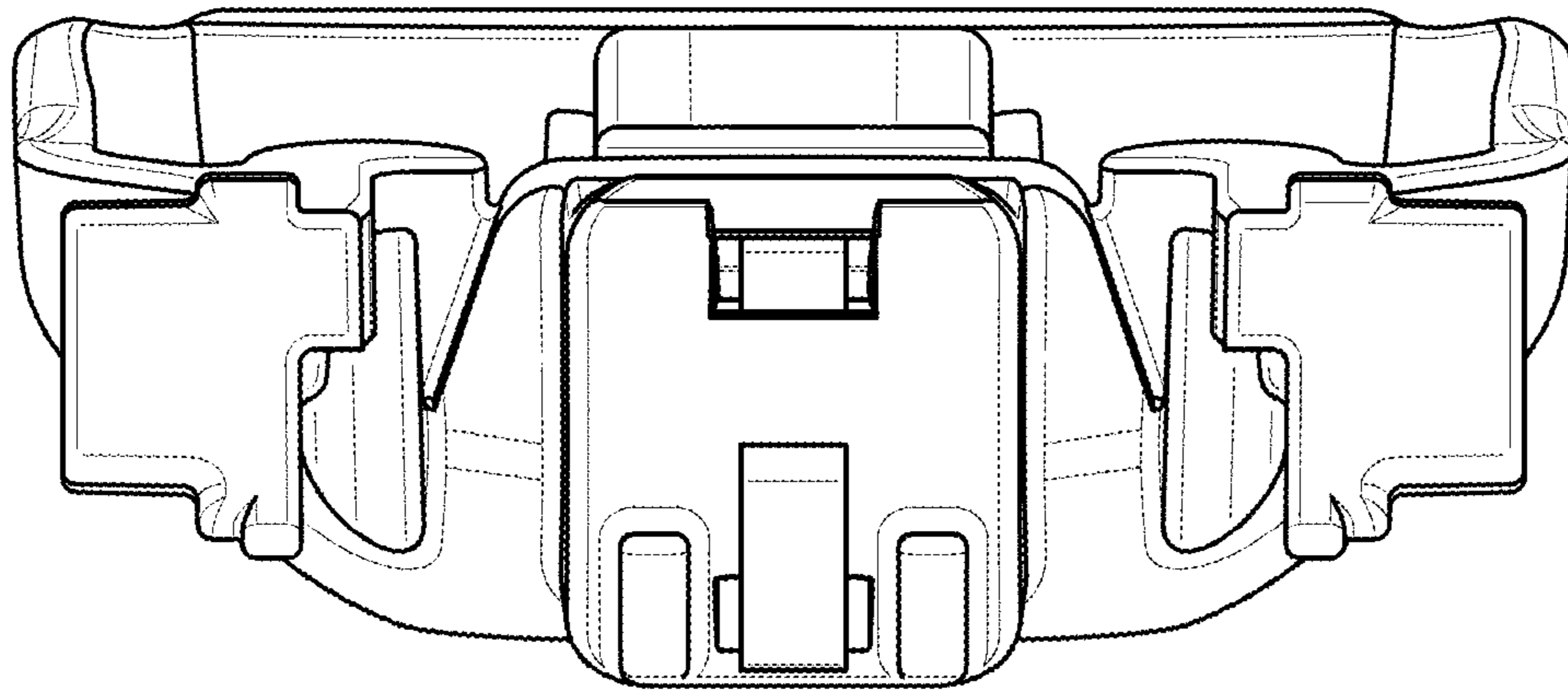


FIG. 4

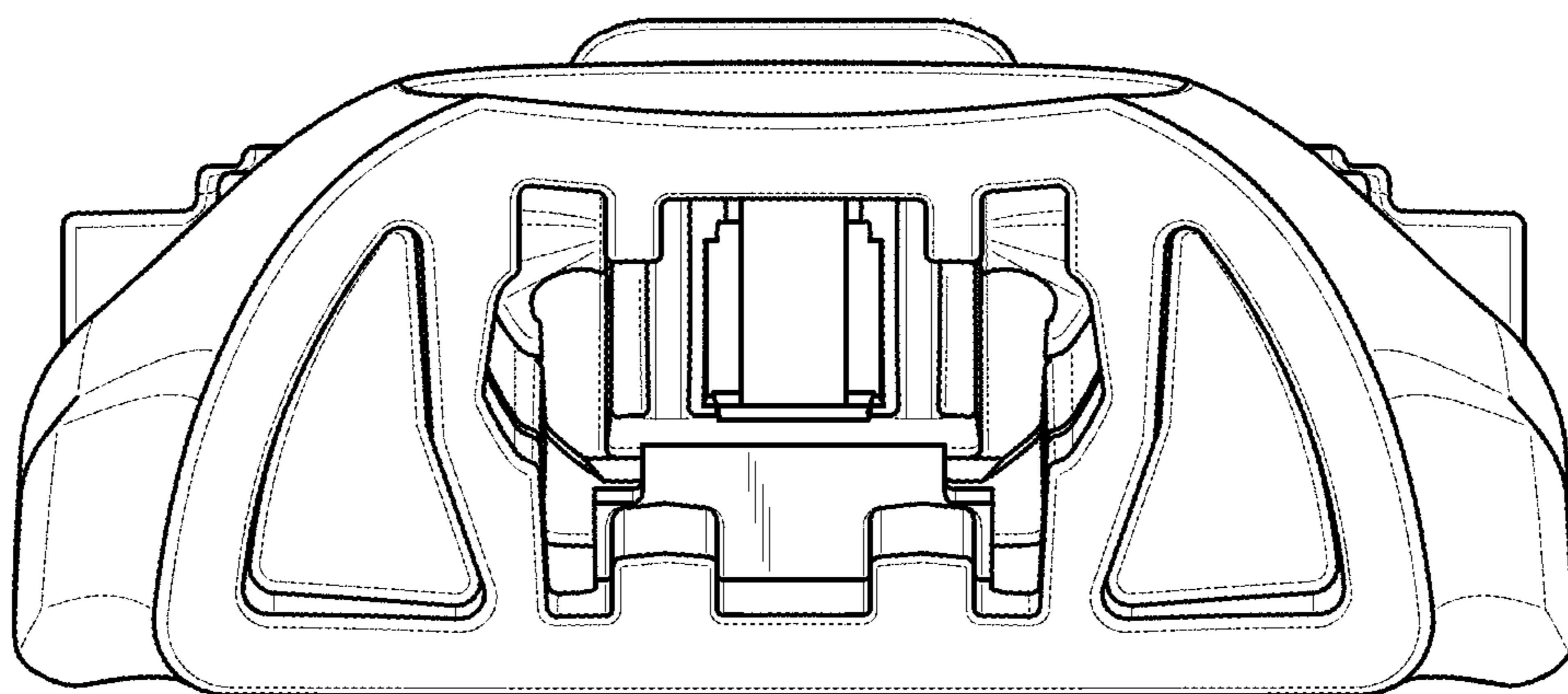


FIG. 5

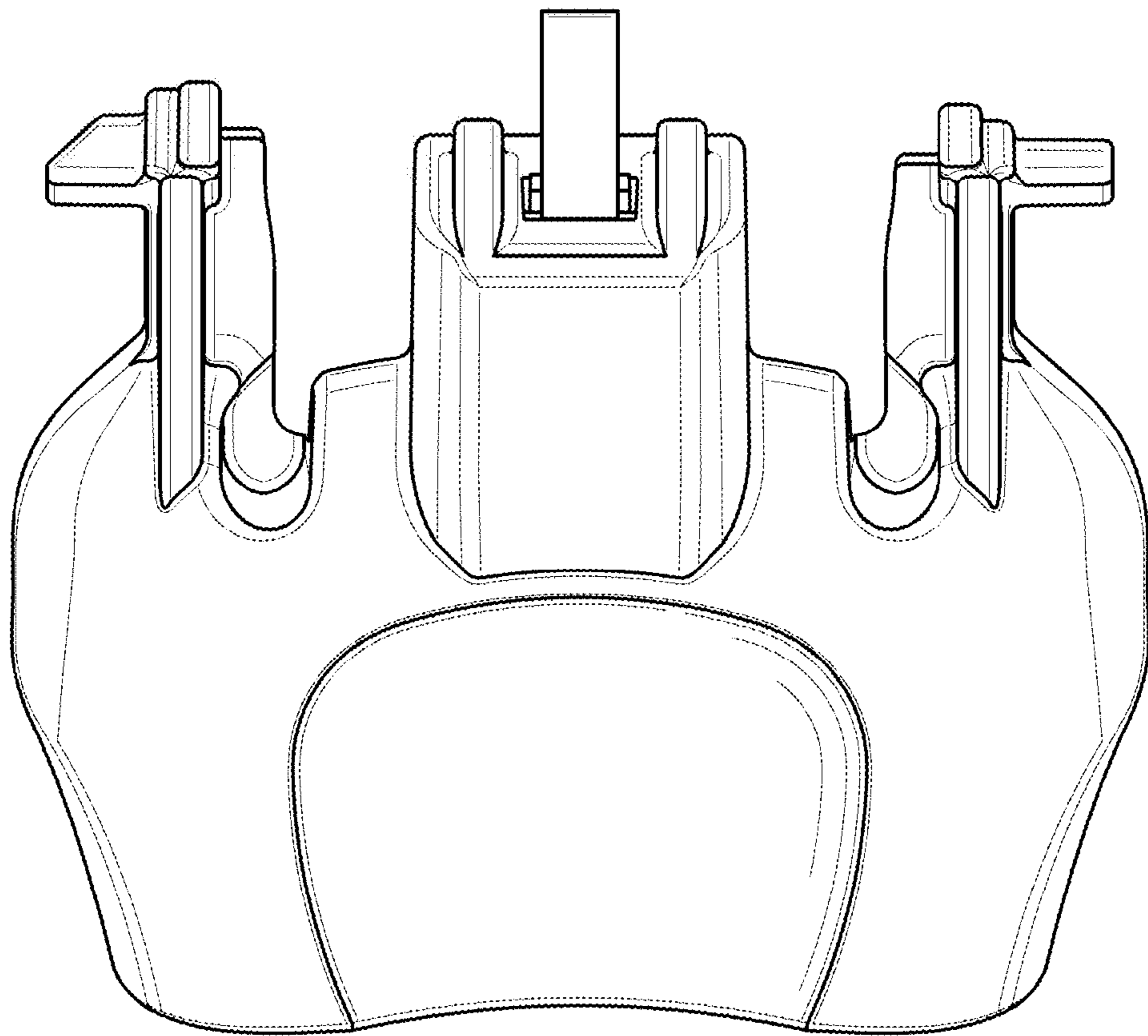


FIG. 6

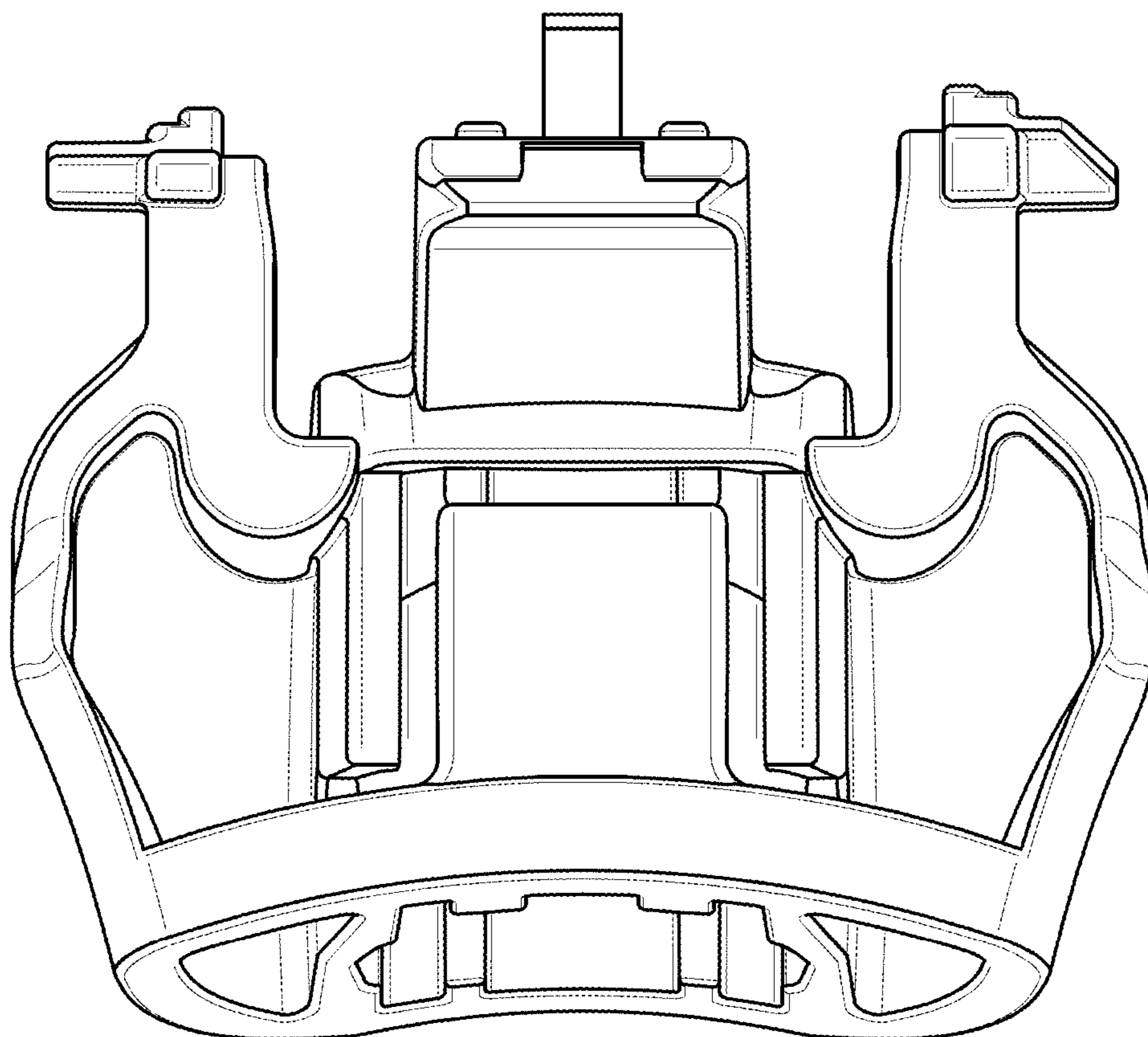


FIG. 7

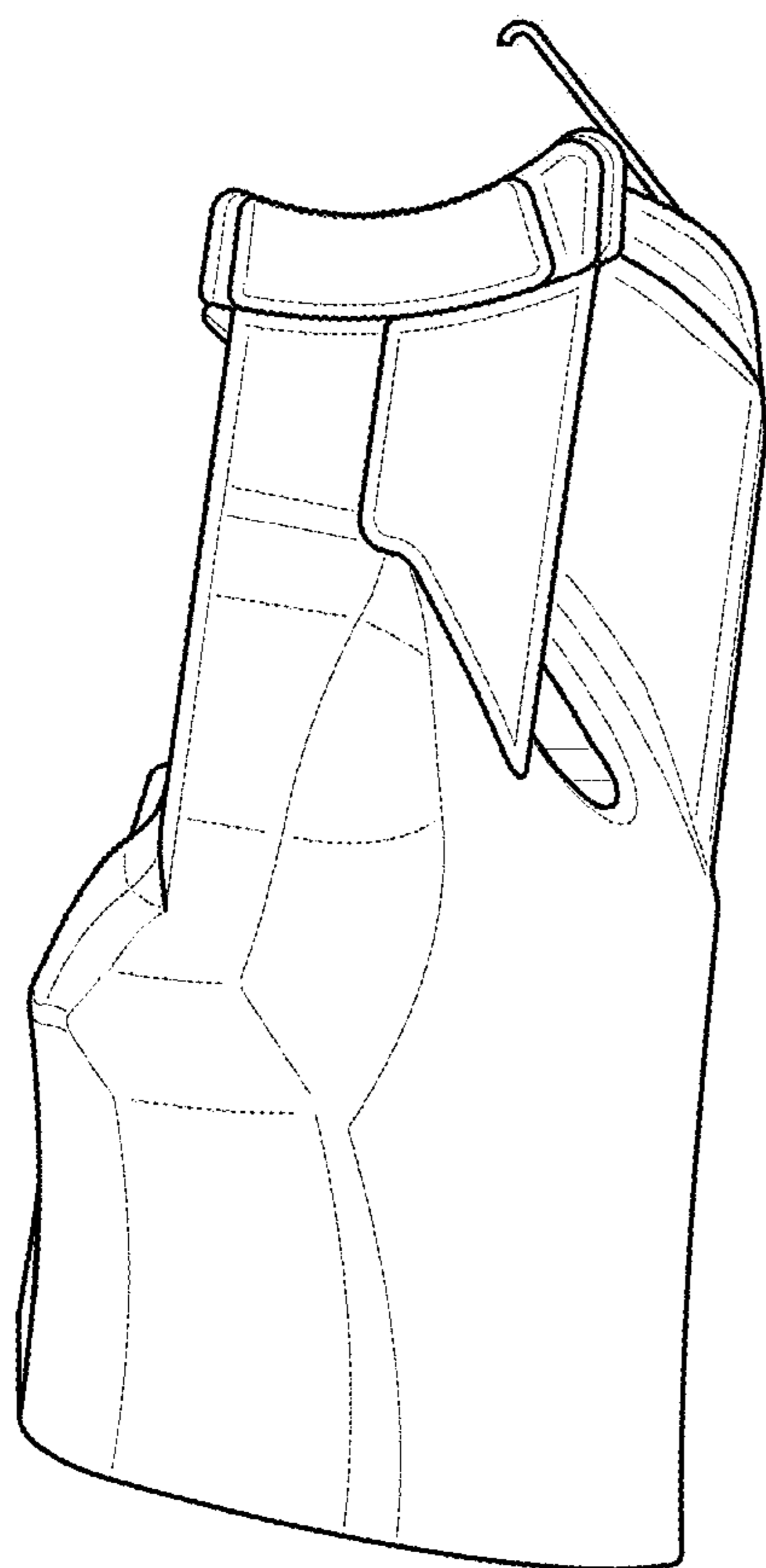


FIG. 8

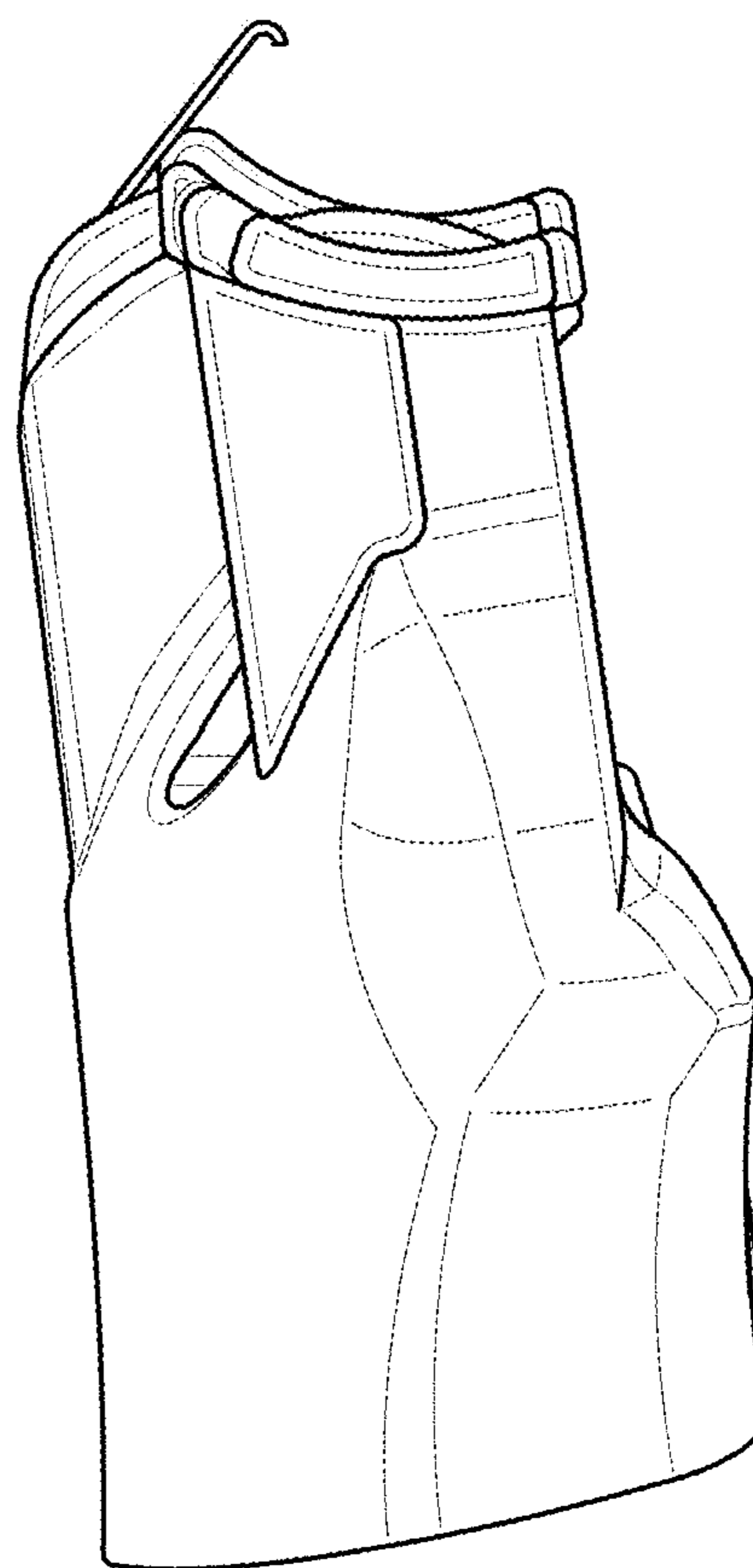


FIG. 9