



US00D935694S

(12) **United States Design Patent**
Hinds

(10) **Patent No.:** **US D935,694 S**
(45) **Date of Patent:** **** Nov. 9, 2021**

(54) **HAIR BAND WITH PARTING TOOL**

FOREIGN PATENT DOCUMENTS

(71) Applicant: **Conair Corporation**, Stamford, CT
(US)

CN 202030422131.5 7/2020

Primary Examiner — Zenia I Bennett

(72) Inventor: **Kristen L. Hinds**, Cos Cob, CT (US)

(74) *Attorney, Agent, or Firm* — Lawrence Cruz, Esq.;
Ryan, Mason & Lewis, LLP

(73) Assignee: **Conair Corporation**, Stamford, CT
(US)

(57) **CLAIM**

The ornamental design(s) for a hair band with parting tool,
as shown and described.

(**) Term: **15 Years**

DESCRIPTION

(21) Appl. No.: **29/723,233**

FIG. 1 is a first perspective view of the hair band with
parting tool in accordance with the principles of the present
disclosure;

(22) Filed: **Feb. 5, 2020**

FIG. 2 is a second perspective view of the hair band with
parting tool in accordance with the principles of the present
disclosure;

(51) **LOC (13) Cl.** **28-03**

(52) **U.S. Cl.**
USPC **D28/41**

FIG. 3 is a first end view of the hair band with parting tool
in accordance with the principles of the present disclosure;
and

(58) **Field of Classification Search**
USPC D28/39–43
CPC A45D 8/00; A45D 8/34; A45D 8/36
See application file for complete search history.

FIG. 4 is a second end view of the hair band with parting tool
in accordance with the principles of the present disclosure.
FIG. 5 is a top plan view of the hair band with parting tool
in accordance with the principles of the present disclosure;
FIG. 6 is a bottom plan view of the hair band with parting
tool in accordance with the principles of the present disclo-
sure;

(56) **References Cited**

U.S. PATENT DOCUMENTS

4,211,247	A	7/1980	Morganroth	
4,273,144	A	6/1981	Morganroth	
4,999,747	A *	3/1991	Chen	A44C 15/0015 362/103
6,568,404	B2	5/2003	Mitchem	
6,626,184	B1 *	9/2003	Cheng	A45D 8/36 132/275
7,473,004	B1 *	1/2009	Tsai	A44C 15/0015 362/104
D603,584	S *	11/2009	Porter	D2/865
D641,930	S	7/2011	Poletto	
D695,453	S *	12/2013	Nome	D28/41
D703,376	S *	4/2014	Nome	D28/41
D703,868	S *	4/2014	Nome	D28/41

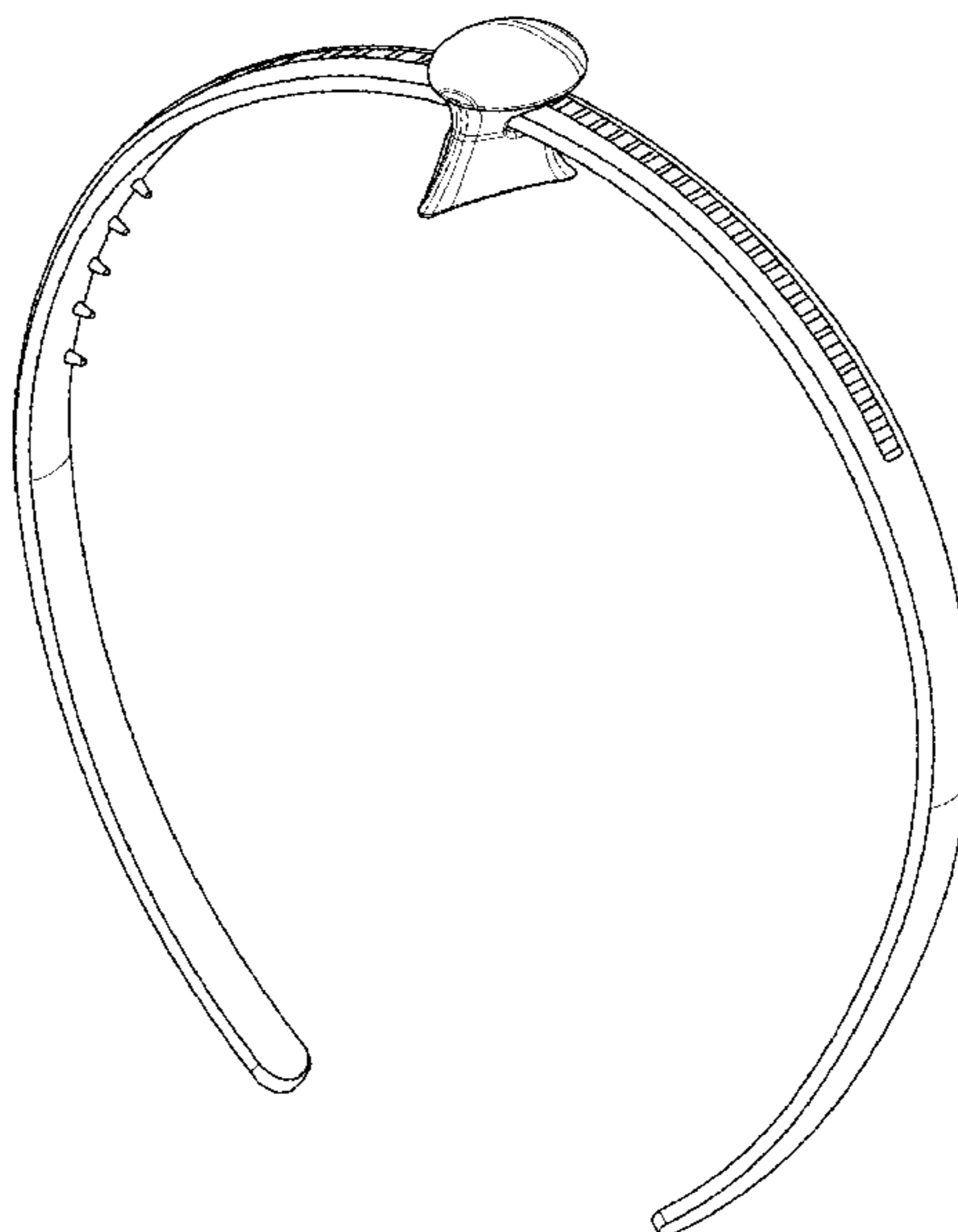
FIG. 7 is a first side elevation view of the hair band with
parting tool in accordance with the principles of the present
disclosure; and,

FIG. 8 is a second side elevation view of the hair band with
parting tool in accordance with the principles of the present
disclosure.

The broken lines in the drawing views represent unclaimed
portions of the hair band with parting tool which are
included for the purpose of illustrating unclaimed environ-
ment only, and forms no part of the claimed design.

(Continued)

1 Claim, 6 Drawing Sheets



(56)

References Cited

U.S. PATENT DOCUMENTS

D715,487 S *	10/2014	Nome	A45D 8/36 D28/41
D720,861 S	1/2015	Huthmaker	
D736,938 S	8/2015	Lementec et al.	
9,234,654 B1 *	1/2016	Wang	A45D 8/36
D892,399 S	8/2020	Peters	
D892,400 S	8/2020	Nelson	
D911,601 S	2/2021	Tuttle	
D919,174 S	5/2021	Matsuishi et al.	
2009/0116226 A1 *	5/2009	Wang	A42B 3/245 362/105
2012/0192893 A1	8/2012	Anderson	
2018/0228264 A1	8/2018	Acosta-Conley	

* cited by examiner

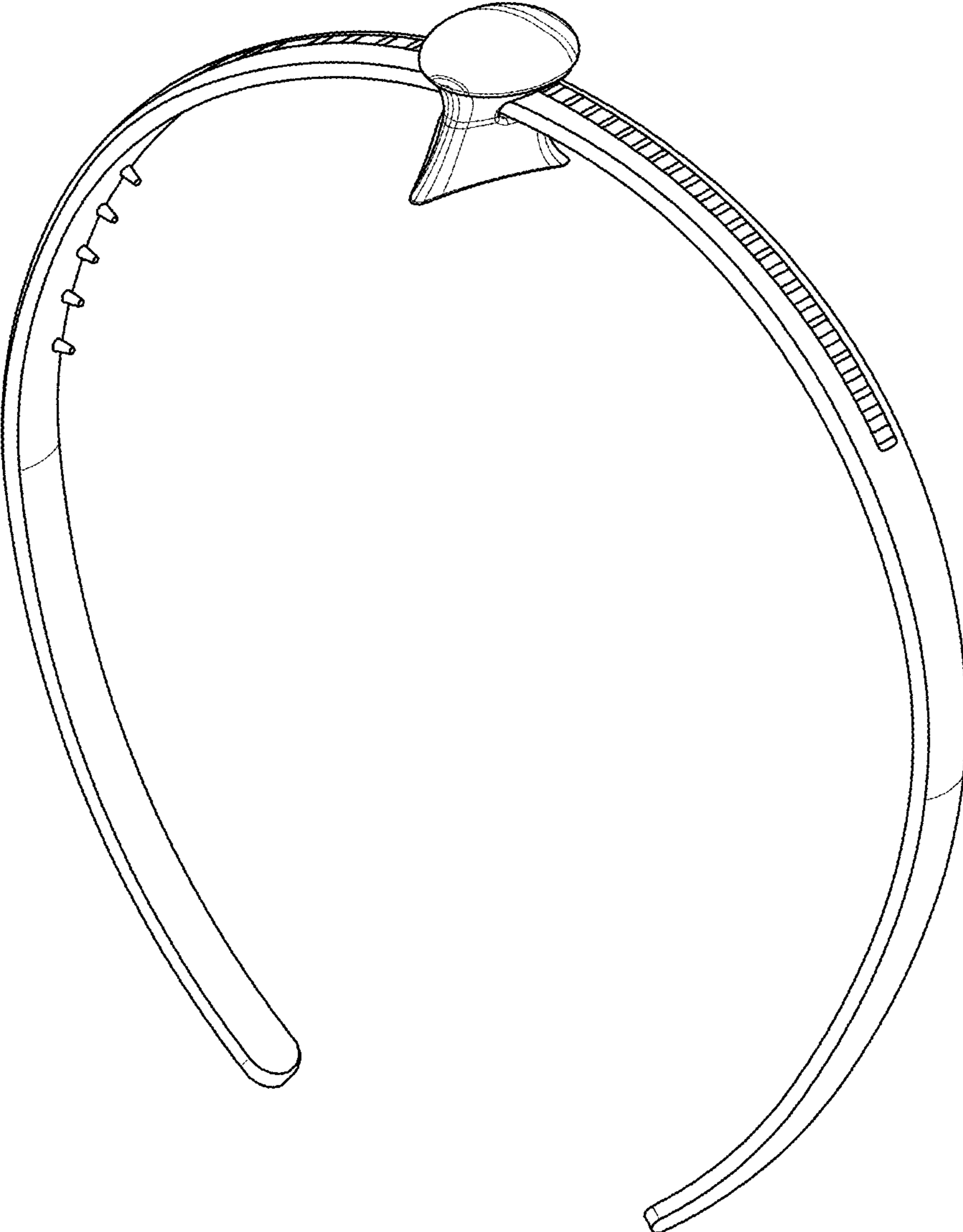


FIG. 1

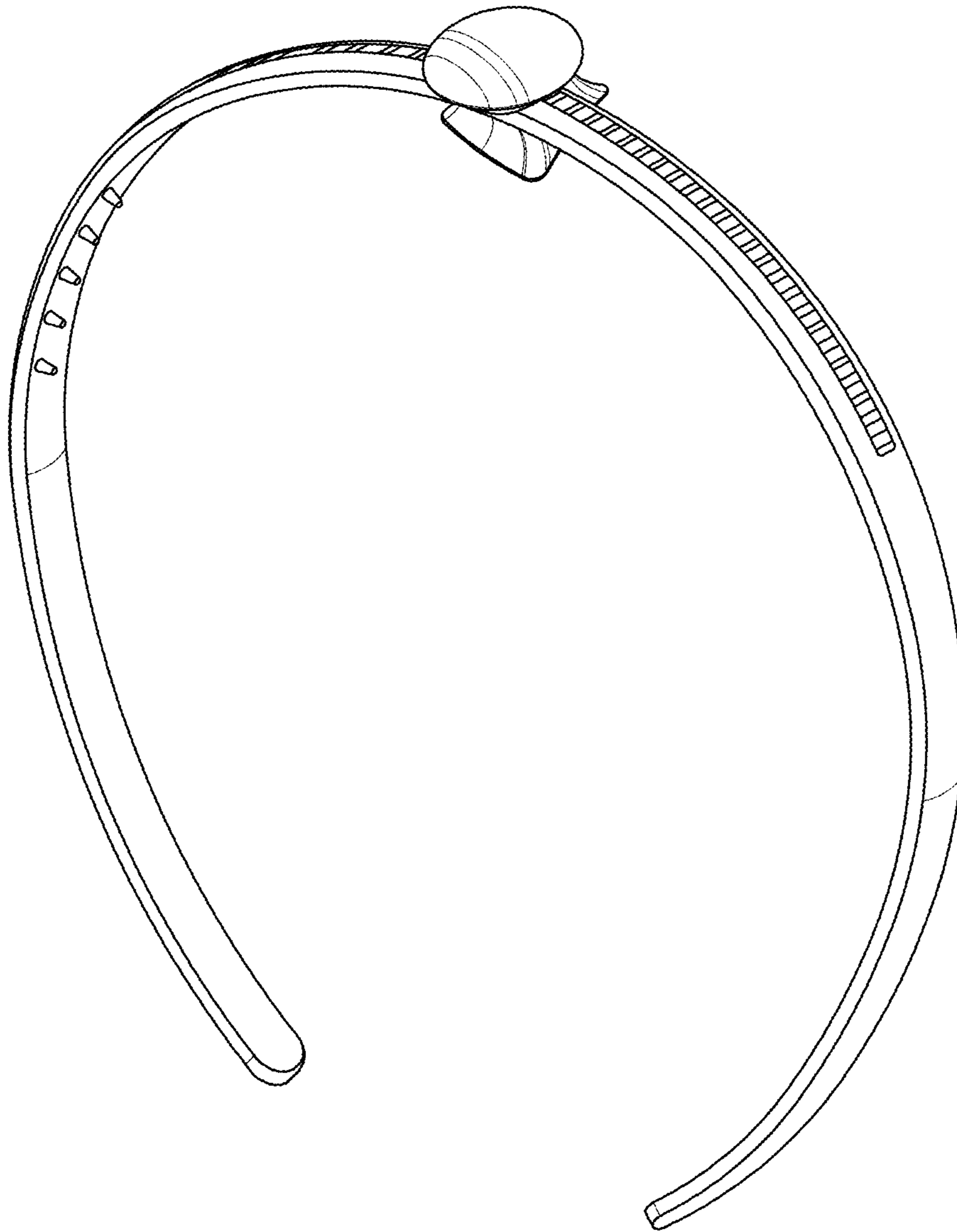


FIG. 2

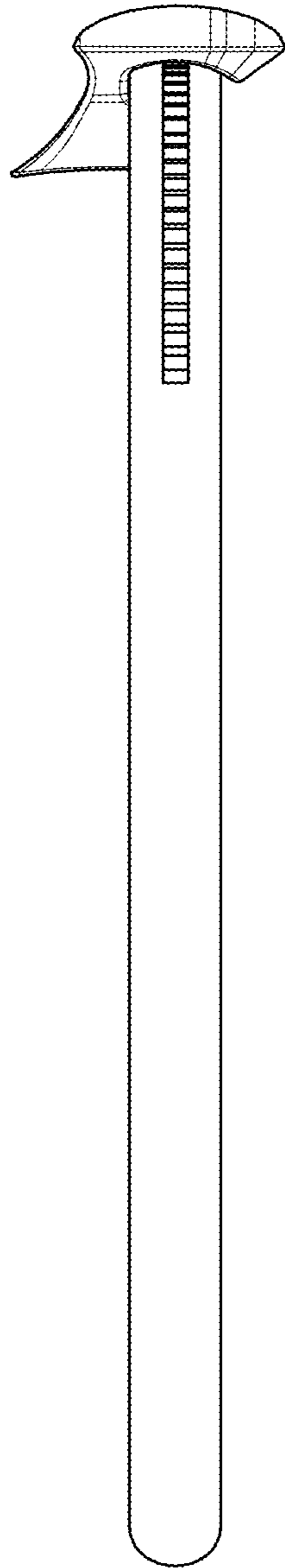


FIG. 3

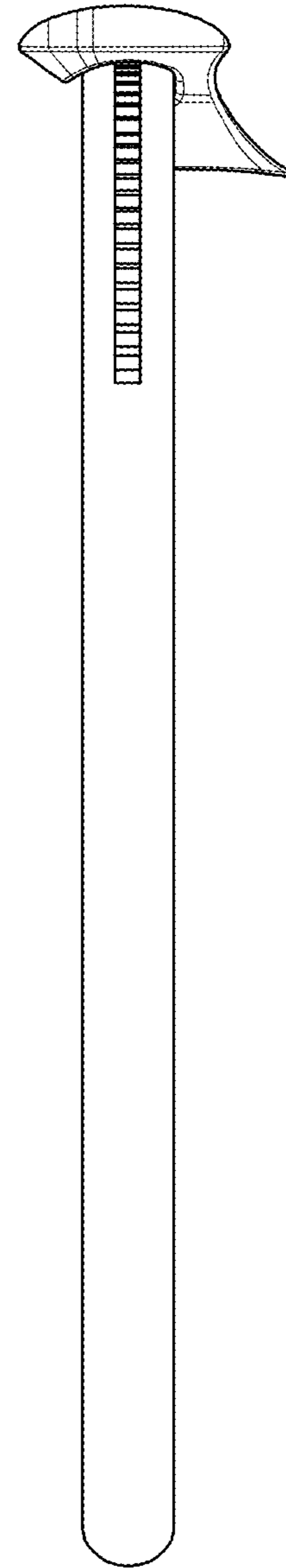


FIG. 4

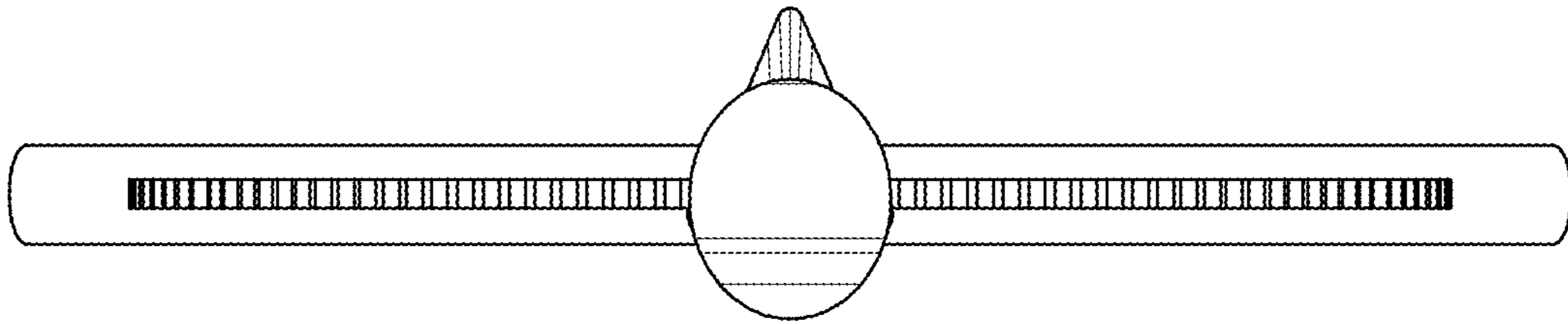


FIG. 5

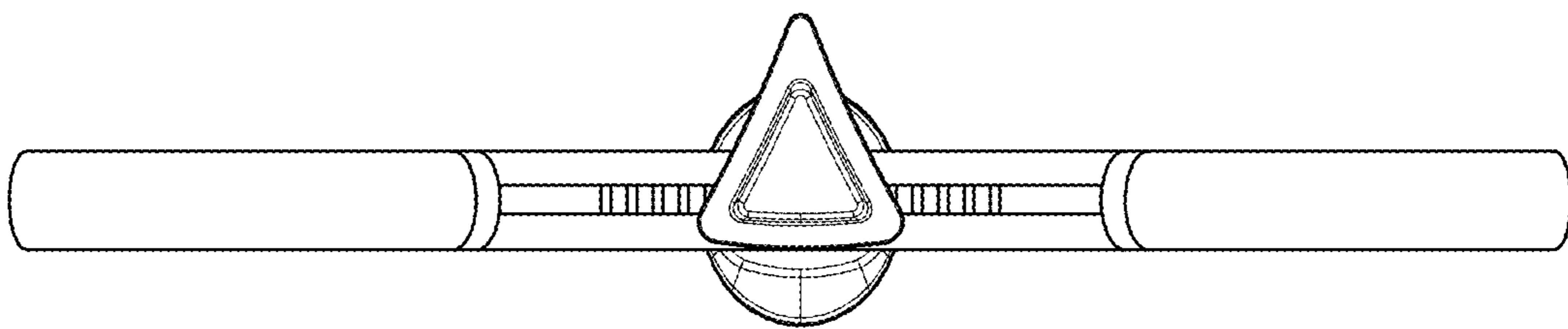


FIG. 6

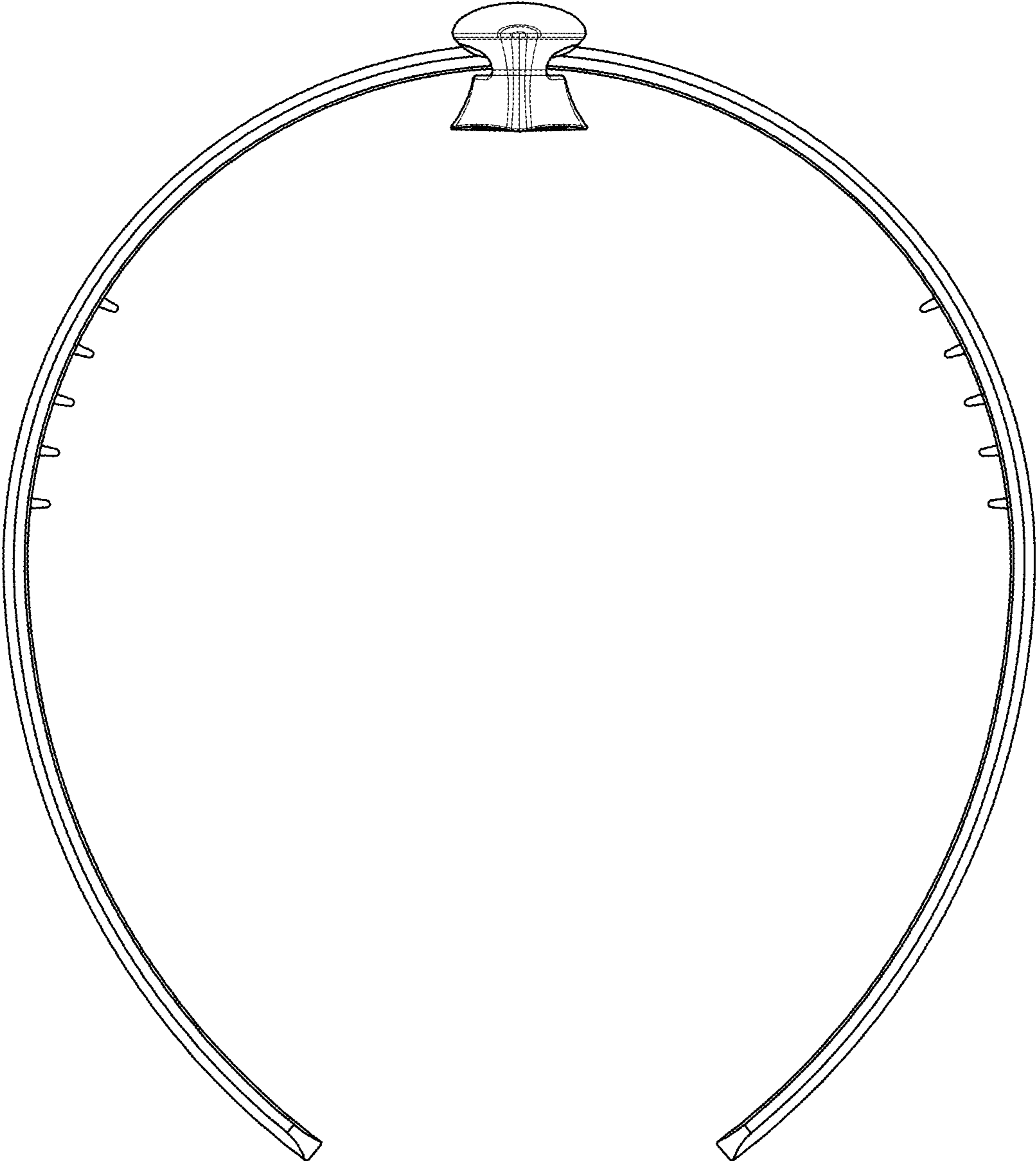


FIG. 7

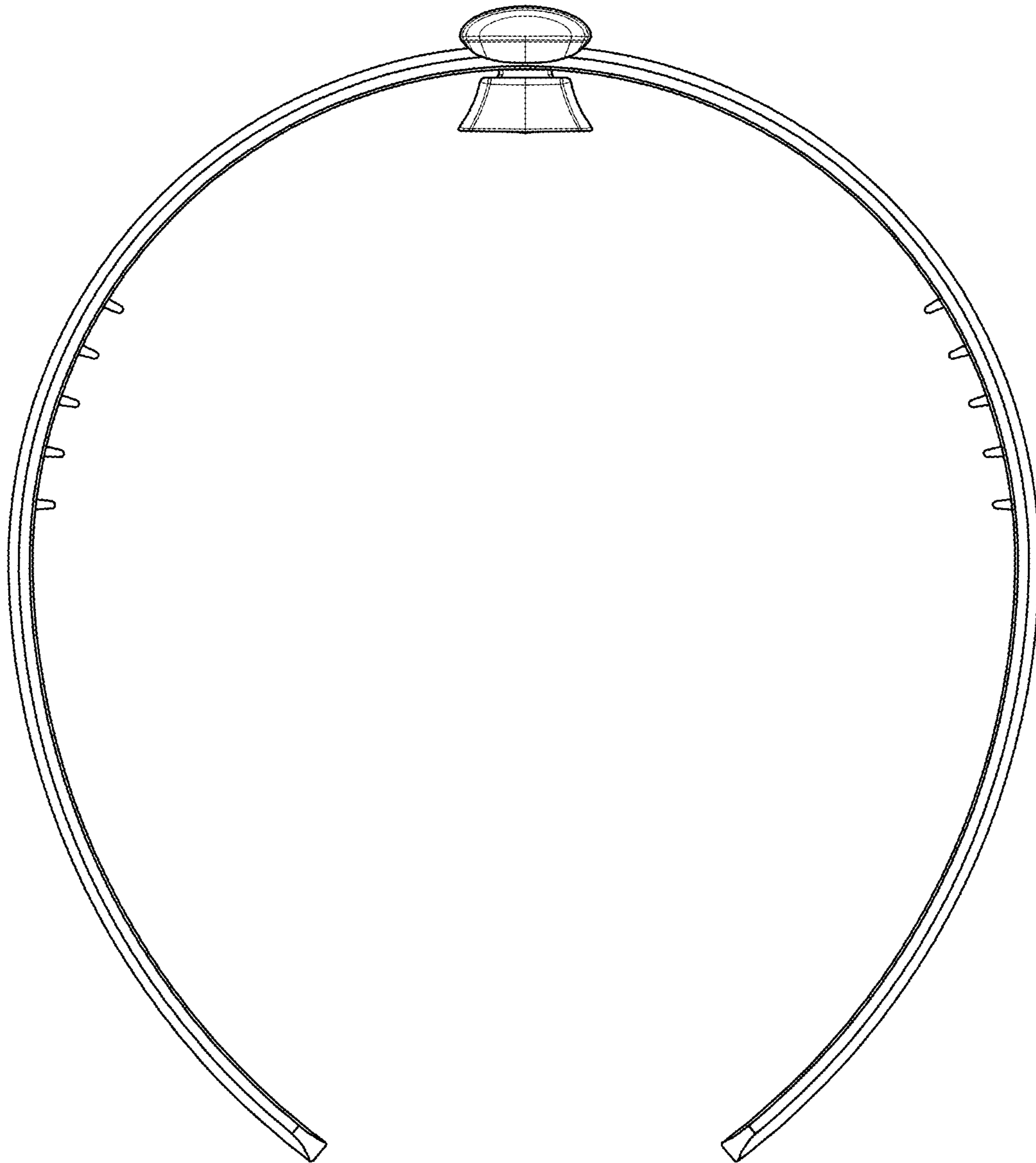


FIG. 8