



US00D935692S

(12) **United States Design Patent** (10) **Patent No.:** **US D935,692 S**  
**Courtney et al.** (45) **Date of Patent:** **\*\* Nov. 9, 2021**

(54) **ACCESSORY FOR HAIR STRAIGHTENERS**

(71) Applicant: **Dyson Technology Limited**, Wiltshire (GB)

(72) Inventors: **Stephen Benjamin Courtney**, Gloucester (GB); **Richard David Nicolaou**, Swindon (GB); **Andrew Drummond Flynn**, Bristol (GB); **Yuankang Liu**, Singapore (SG); **Imogen Elizabeth Adams**, Bristol (GB); **Low Chen Nyeow**, Singapore (SG); **Yiqun Steven Ong**, Singapore (SG); **Rory Antony Nicholas Fisher**, Bristol (GB); **Charlotte Anne Tatham**, Swindon (GB)

(73) Assignee: **Dyson Technology Limited**, Malmesbury (GB)

(\*\*) Term: **15 Years**

(21) Appl. No.: **29/728,444**

(22) Filed: **Mar. 18, 2020**

(30) **Foreign Application Priority Data**

Sep. 19, 2019 (EM) ..... 006887170-0001

(51) **LOC (13) Cl.** ..... **28-03**

(52) **U.S. Cl.**  
USPC ..... **D28/38**; D13/108

(58) **Field of Classification Search**  
USPC ..... D28/38, 73, 99; D13/107, 108  
CPC ..... H01M 10/44; H01M 10/46; A45D 20/00; A45D 20/12

See application file for complete search history.

(56) **References Cited**

**U.S. PATENT DOCUMENTS**

5,172,880 A \* 12/1992 McDougall ..... A45D 20/12 248/185.1  
D469,221 S \* 1/2003 Cozzolino ..... D28/73

D559,485 S \* 1/2008 Fjellman ..... D13/108  
D572,188 S \* 7/2008 Prat-Pfister ..... D13/108  
D657,740 S \* 4/2012 Prat-Pfister ..... D13/108  
D691,947 S \* 10/2013 Cole ..... D13/108  
D692,376 S \* 10/2013 Palmer ..... D13/108  
D792,651 S \* 7/2017 Petruccelli ..... D28/73  
9,730,500 B1 \* 8/2017 Provost ..... A45D 27/29  
D806,949 S \* 1/2018 Cozzolino ..... D28/38  
D896,175 S \* 9/2020 Staff ..... D13/108

(Continued)

**OTHER PUBLICATIONS**

How to set up and use your Dyson Corrale™ hair straightener—YouTube, Dyson, published on May 19, 2020, retrieved on Jul. 12, 2021, retrieved from the Internet URL: <https://www.youtube.com/watch?v=USgIN2dl5ug>.\*

*Primary Examiner* — Jennifer Rivard

*Assistant Examiner* — Alison M Ofstun

(74) *Attorney, Agent, or Firm* — Morrison & Foerster LLP

(57) **CLAIM**

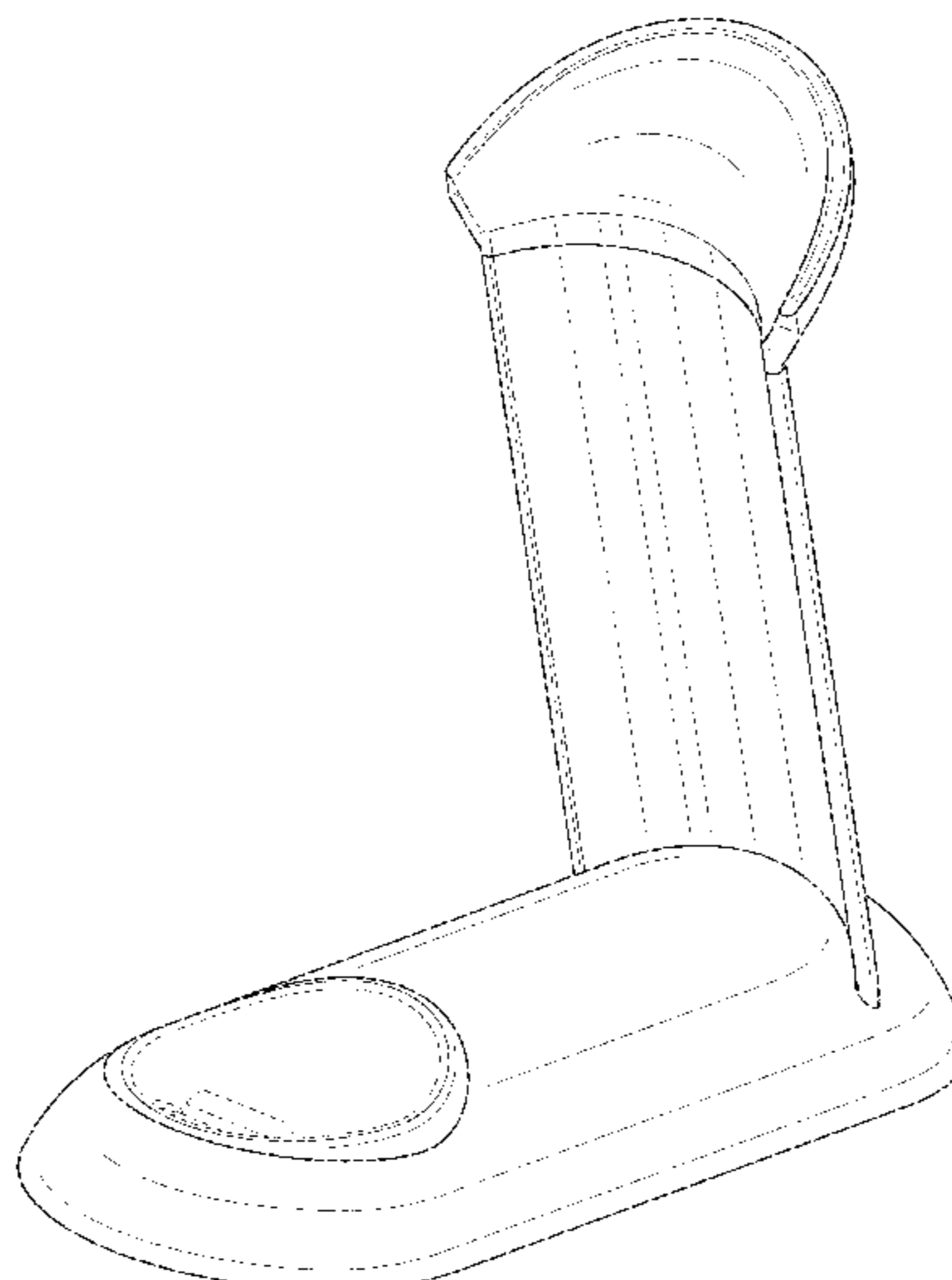
We claim the ornamental design for an accessory for hair straighteners, as shown and described.

**DESCRIPTION**

FIG. 1 is a front perspective view of an accessory for hair straighteners showing our new design; FIG. 2 is a front view thereof; FIG. 3 is a rear view thereof; FIG. 4 is a side view thereof; FIG. 5 is a side view of the opposite side of FIG. 4; FIG. 6 is a top view thereof; and, FIG. 7 is a bottom view thereof.

The broken lines shown in the drawings illustrate portions of an accessory for hair straighteners that form no part of the claimed design.

**1 Claim, 7 Drawing Sheets**



(56)

**References Cited**

U.S. PATENT DOCUMENTS

2002/0153863 A1 \* 10/2002 Arndt ..... H01R 13/2464  
320/115

\* cited by examiner

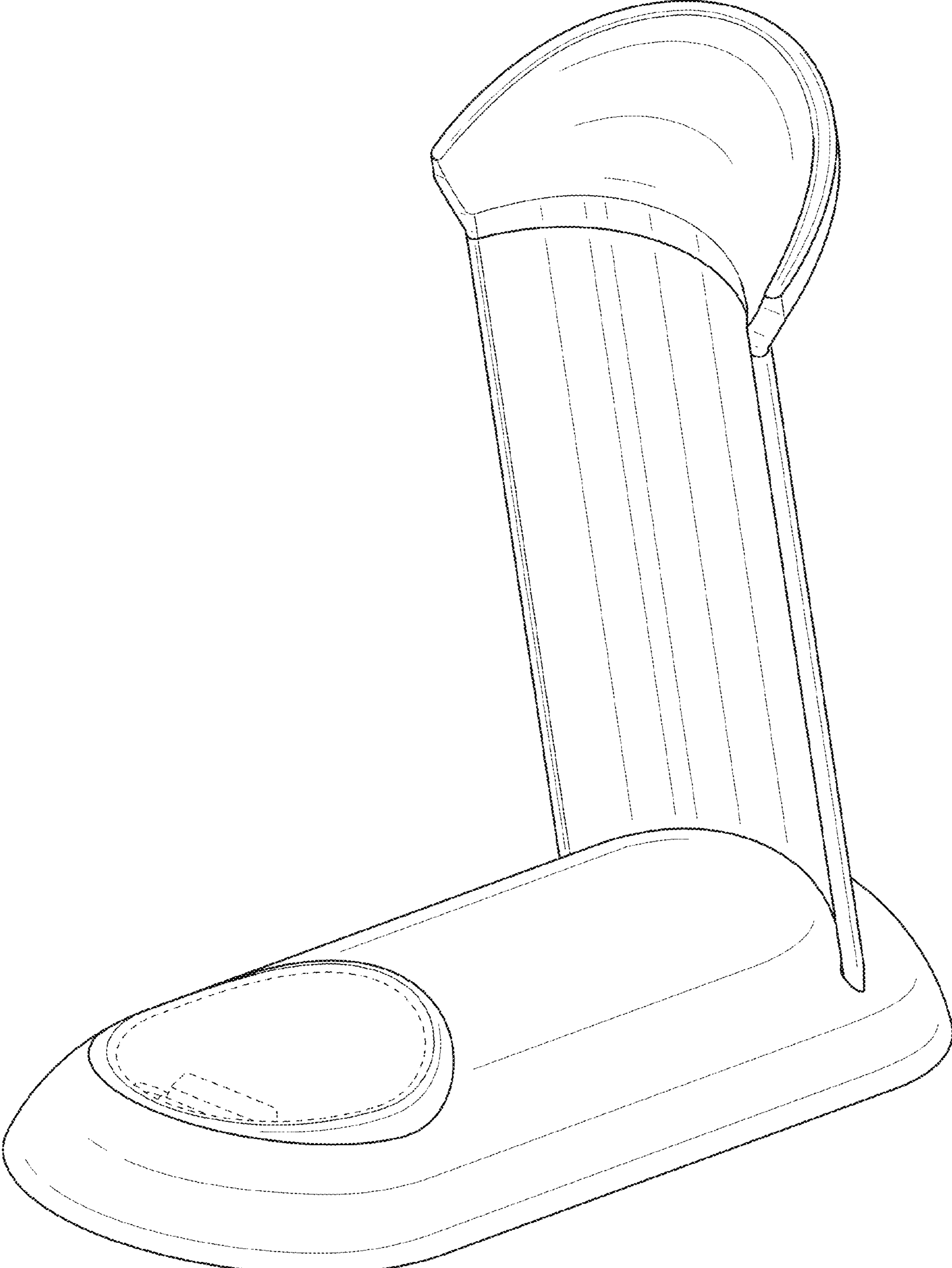


FIG. 1

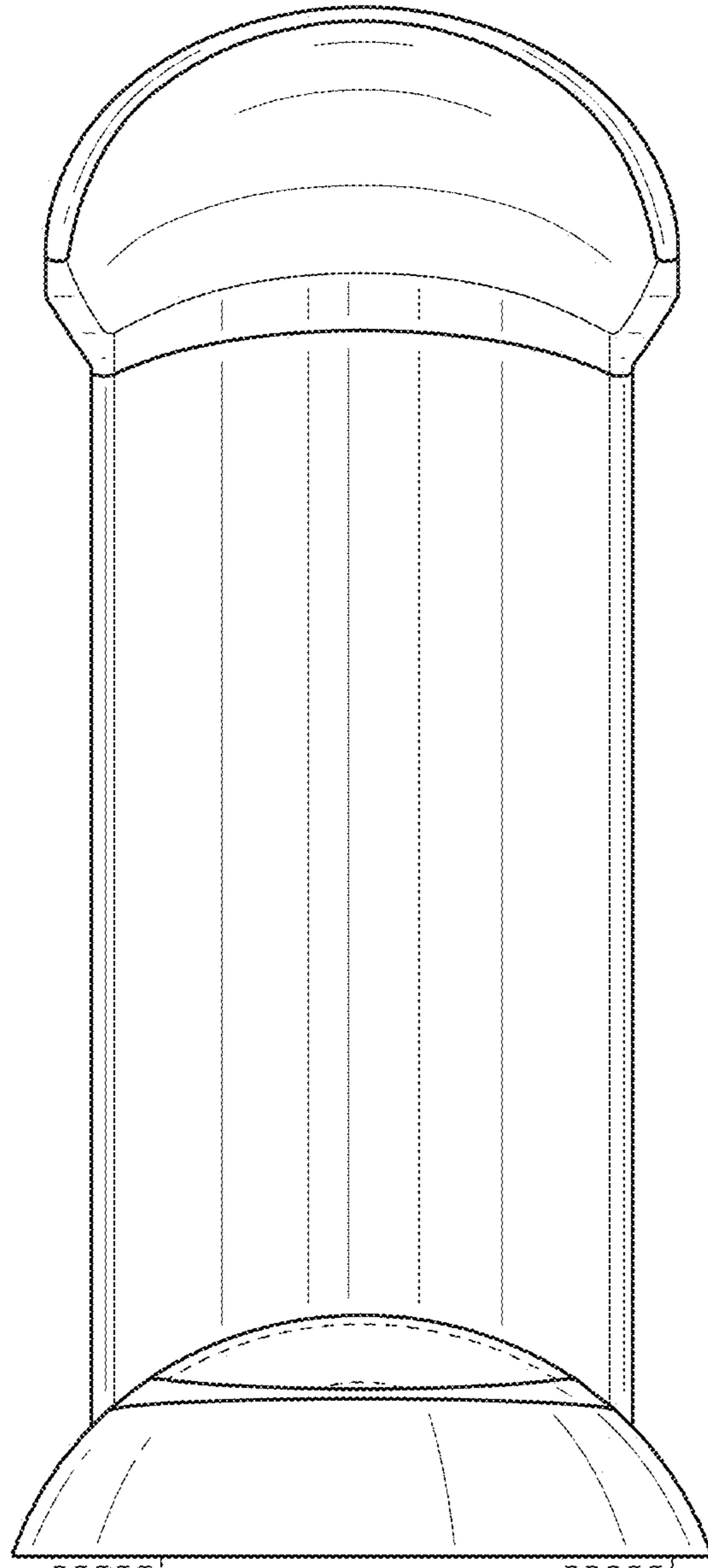


FIG. 2

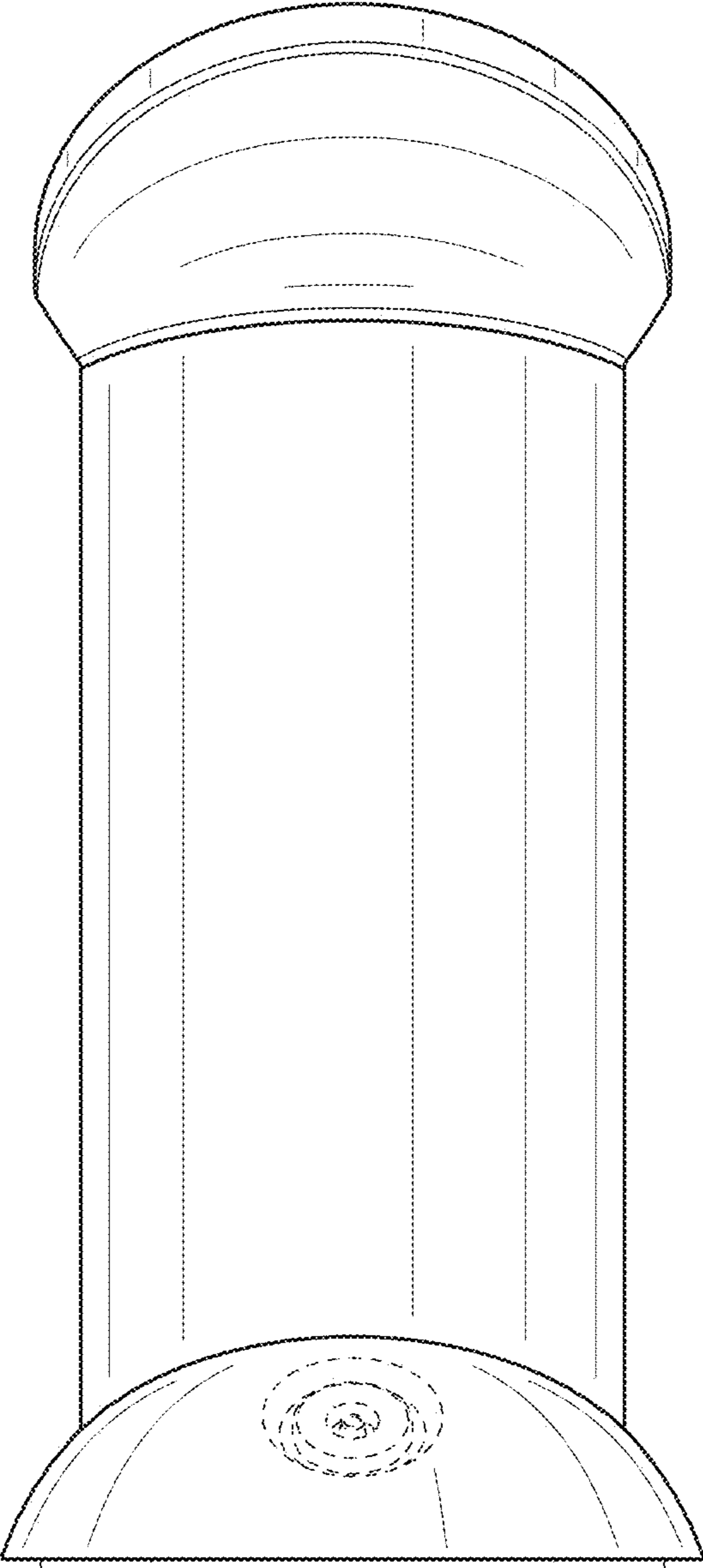


FIG. 3

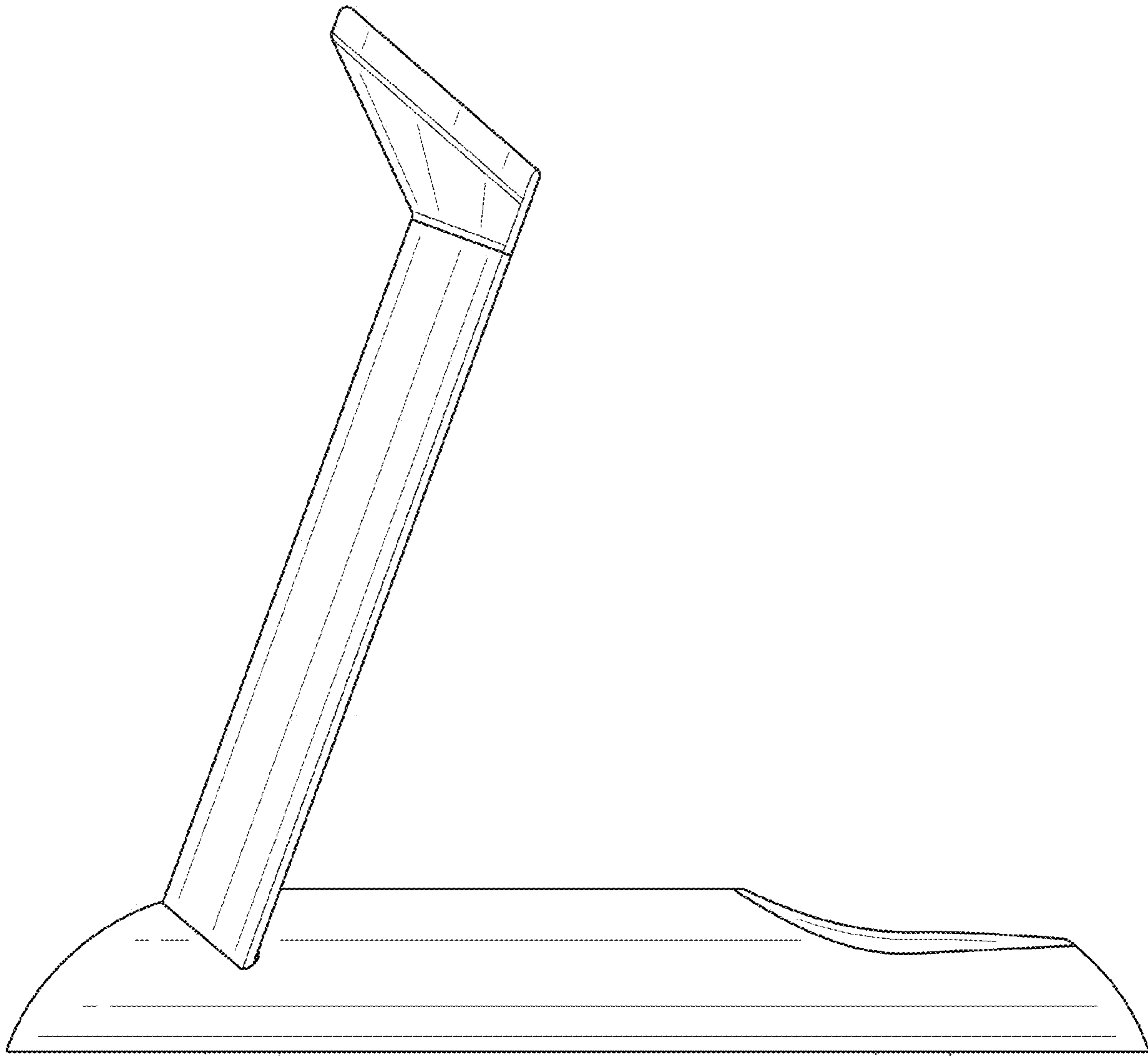


FIG. 4

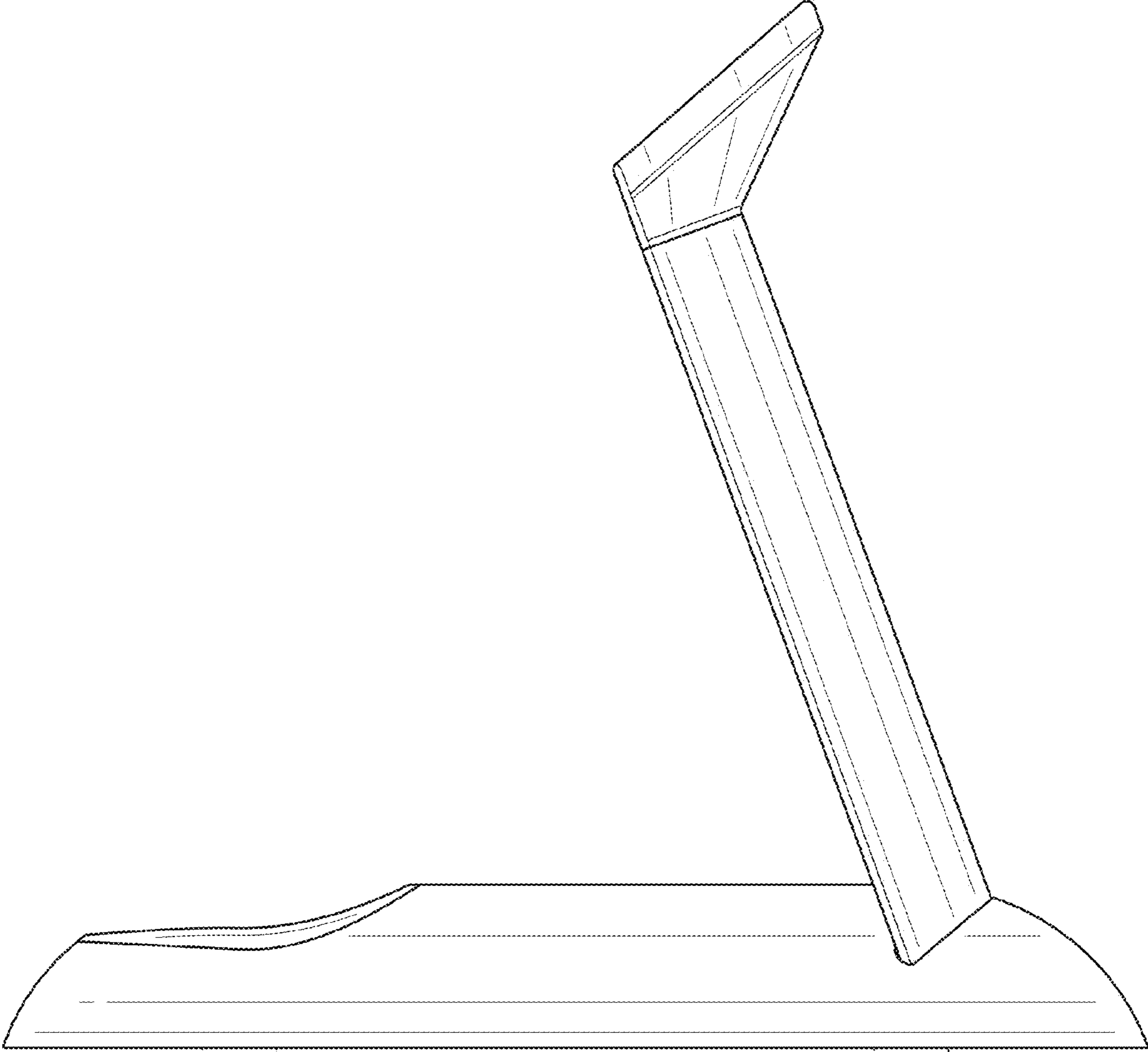


FIG. 5

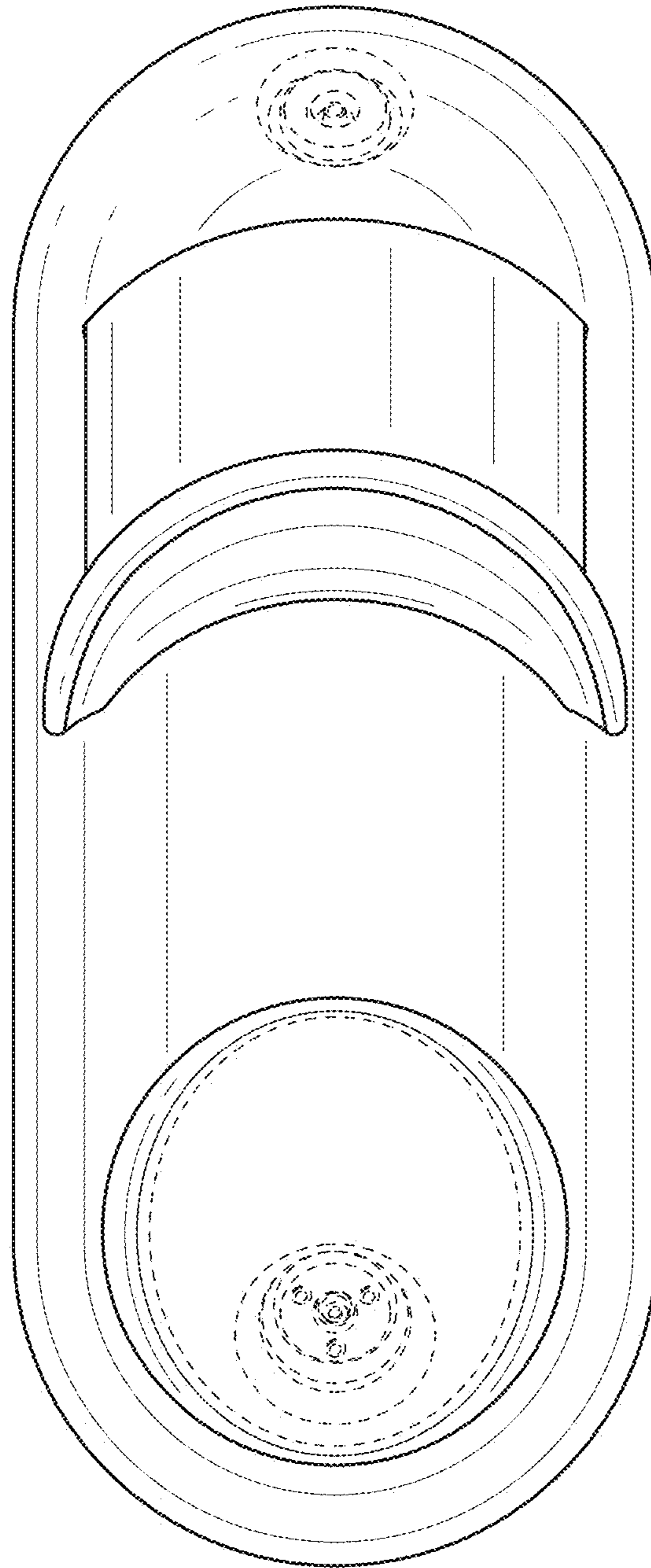


FIG. 6



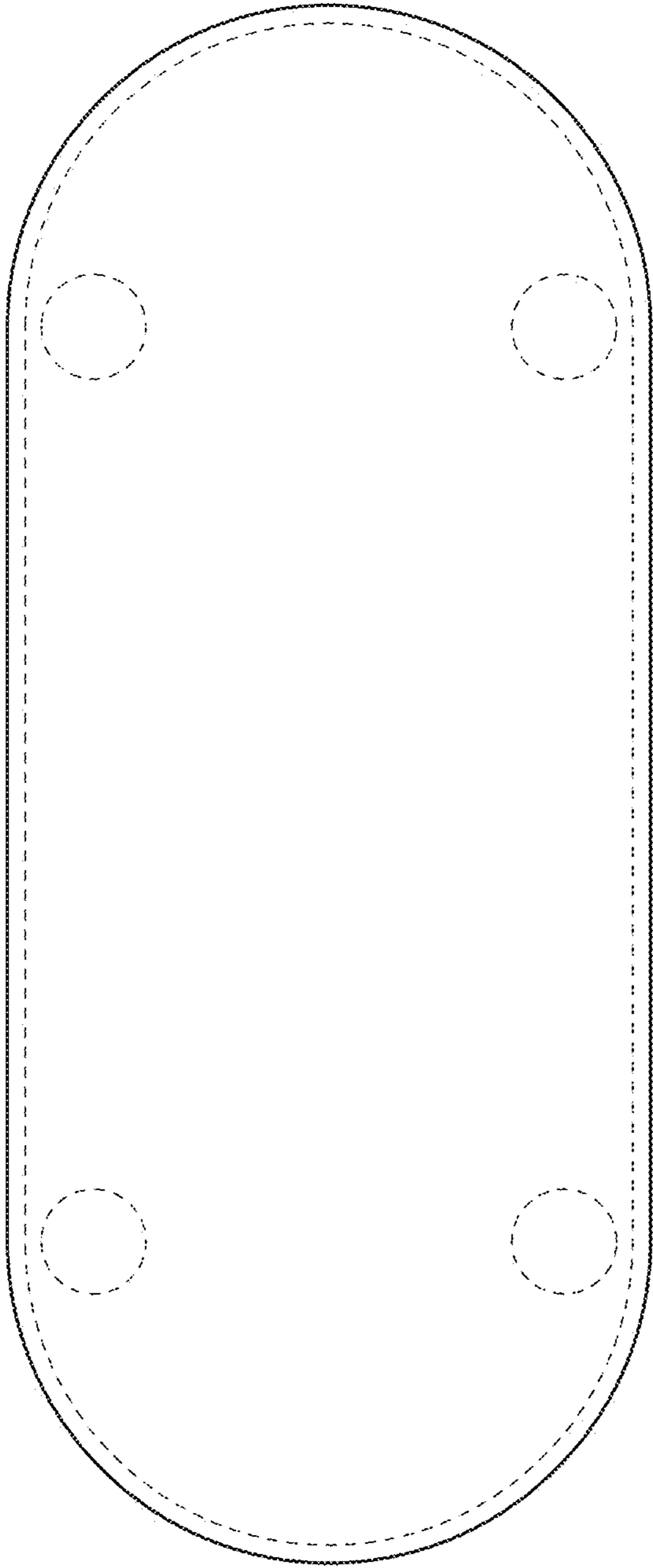


FIG. 7