

US00D935691S

(12) **United States Design Patent** (10) **Patent No.:** **US D935,691 S**  
**Bouhon** (45) **Date of Patent:** **\*\* Nov. 9, 2021**

(54) **IRON FOR STRAIGHTENING HAIR**

(71) Applicant: **BABYLISS FACO SRL**, Wandre (BE)

(72) Inventor: **Ugo Bouhon**, Spa (BE)

(73) Assignee: **BABYLISS FACO SRL**, Wandre (BE)

(\*\*) Term: **15 Years**

(21) Appl. No.: **35/510,163**

(22) Filed: **Aug. 10, 2020**

(80) **Hague Agreement Data**

Int. Filing Date: **Aug. 10, 2020**

Int. Reg. No.: **DM/209906**

Int. Reg. Date: **Aug. 10, 2020**

Int. Reg. Pub. Date: **Aug. 28, 2020**

(51) **LOC (13) Cl.** ..... **28-03**

(52) **U.S. Cl.**  
USPC ..... **D28/35**

(58) **Field of Classification Search**

USPC ..... D28/10, 35, 37, 38  
CPC . A45D 7/06; A45D 2/001; A45D 1/04; A45D 7/04; A45D 20/12; A45D 1/28; A45D 2001/002; A45D 2007/001; A45D 20/10; A45D 2/125; A45D 19/005; A45D 19/0066; A45D 1/00; A45D 1/06; A45D 2044/007; A45D 2200/25; A45D 2/146; A45D 44/005; A45D 7/00; A45D 7/02; A45D 19/00; A45D 19/012; A45D 1/10; A45D 1/14; A45D 1/20; A45D 2001/004; A45D 2001/008; A45D 2001/045; A45D 2002/003; A45D 2002/025; A45D 2007/005; A45D 20/00; A45D 20/04; A45D 20/16; A45D 20/40; A45D 2200/00; A45D 2200/05; A45D 2200/202; A45D 2200/205; A45D 24/00; A45D 2/00; A45D 2/002; A45D 2/02; A45D 2/18; A45D 2/20; A45D 2/46; A45D 44/02; A45D 44/04; A45D 44/14; A45D 6/00; A45D 8/00; A45D 8/008; A45D 8/34

See application file for complete search history.

(56) **References Cited**

U.S. PATENT DOCUMENTS

D627,513	S	*	11/2010	Kim	.....	D28/35
D627,515	S	*	11/2010	Kim	.....	D28/35
D641,927	S	*	7/2011	Kim	.....	D28/35
D645,614	S	*	9/2011	Kim	.....	D28/35
D649,288	S	*	11/2011	Koehler	.....	D28/35
D874,724	S	*	2/2020	Deffrennes	.....	D28/35
D875,311	S	*	2/2020	Yang	.....	D28/35
D901,076	S	*	11/2020	Kim	.....	D28/35
D901,770	S	*	11/2020	Wang	.....	D28/35
D907,848	S	*	1/2021	Julemont	.....	D28/35
D910,237	S	*	2/2021	Russo	.....	D28/35
D912,321	S	*	3/2021	Huang	.....	D28/35
D912,896	S	*	3/2021	Zhao	.....	D28/35
D913,589	S	*	3/2021	Thalmann	.....	D28/35
D919,176	S	*	5/2021	Zheng	.....	D28/35
D919,177	S	*	5/2021	Huang	.....	D28/35
D919,179	S	*	5/2021	Knox	.....	D28/35
D919,180	S	*	5/2021	Knox	.....	D28/35

(Continued)

*Primary Examiner* — Khawaja Anwar

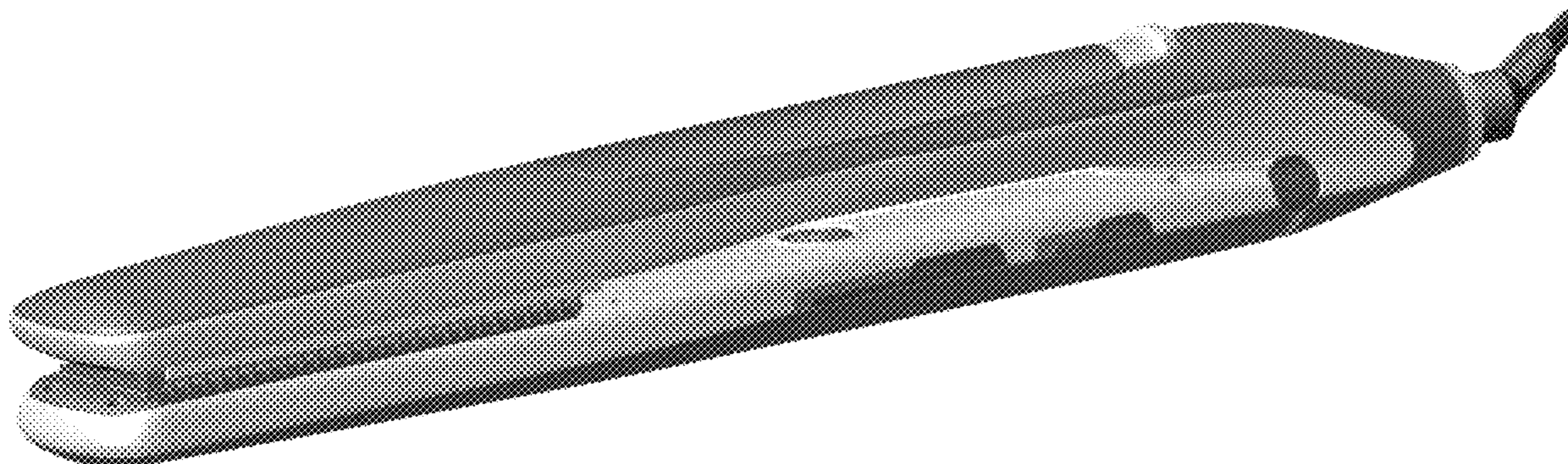
(57) **CLAIM**

The ornamental design for an iron for straightening hair, as shown and described.

**DESCRIPTION**

1. Iron for straightening hair  
FIG. 1.1 is a perspective view of an iron for straightening hair, showing my new design;  
FIG. 1.2 is an end elevation view thereof;  
FIG. 1.3 is a bottom plan view thereof;  
FIG. 1.4 is another end elevation view thereof;  
FIG. 1.5 is a side elevation view thereof;  
FIG. 1.6 is a top plan view thereof;  
FIG. 1.7 is another perspective view thereof;  
FIG. 1.8 another side elevation view thereof.

**1 Claim, 8 Drawing Sheets**



(56)

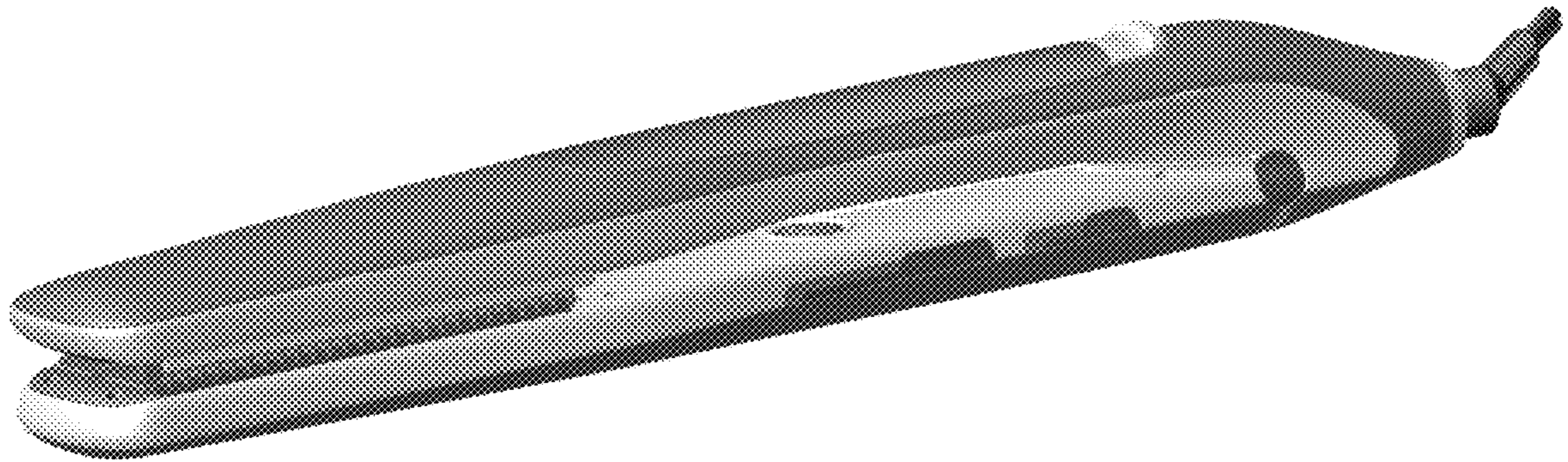
**References Cited**

U.S. PATENT DOCUMENTS

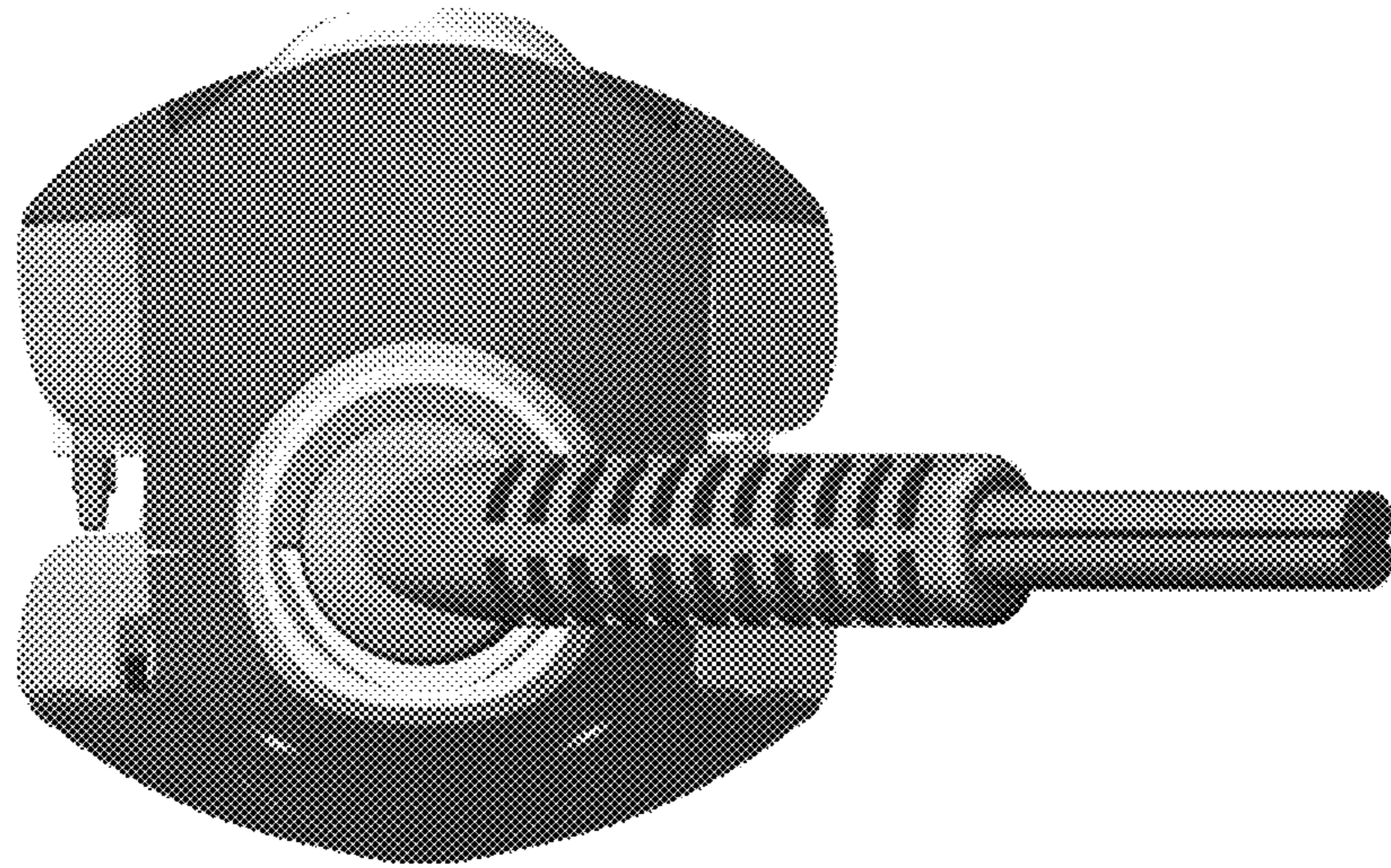
D921,289	S *	6/2021	Huang	.....	D28/35
D921,290	S *	6/2021	Yang	.....	D28/35
D921,983	S *	6/2021	Huang	.....	D28/35
2007/0209673	A1 *	9/2007	Choi	.....	A45D 1/06 132/224
2008/0283079	A1 *	11/2008	Huang	.....	A45D 1/04 132/221
2013/0146081	A1 *	6/2013	Chan	.....	A45D 2/001 132/229

\* cited by examiner

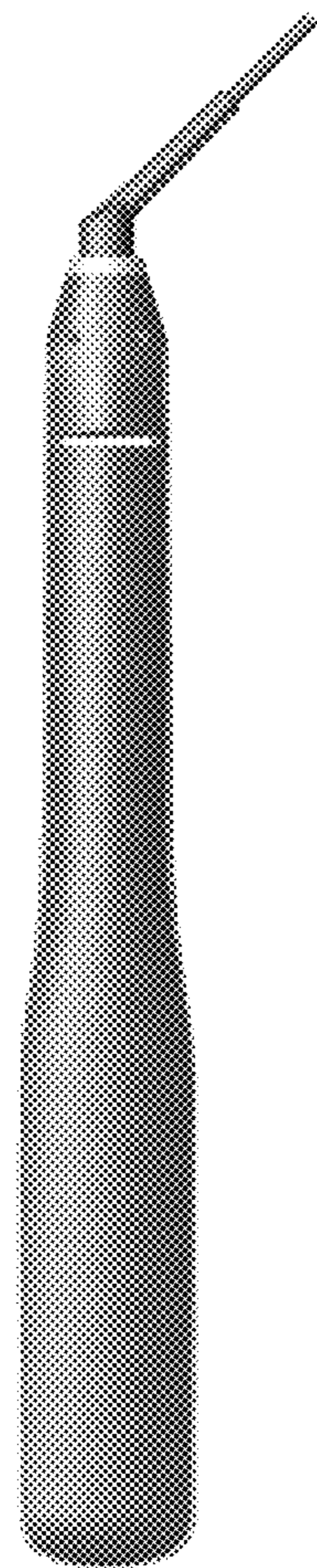
1.1



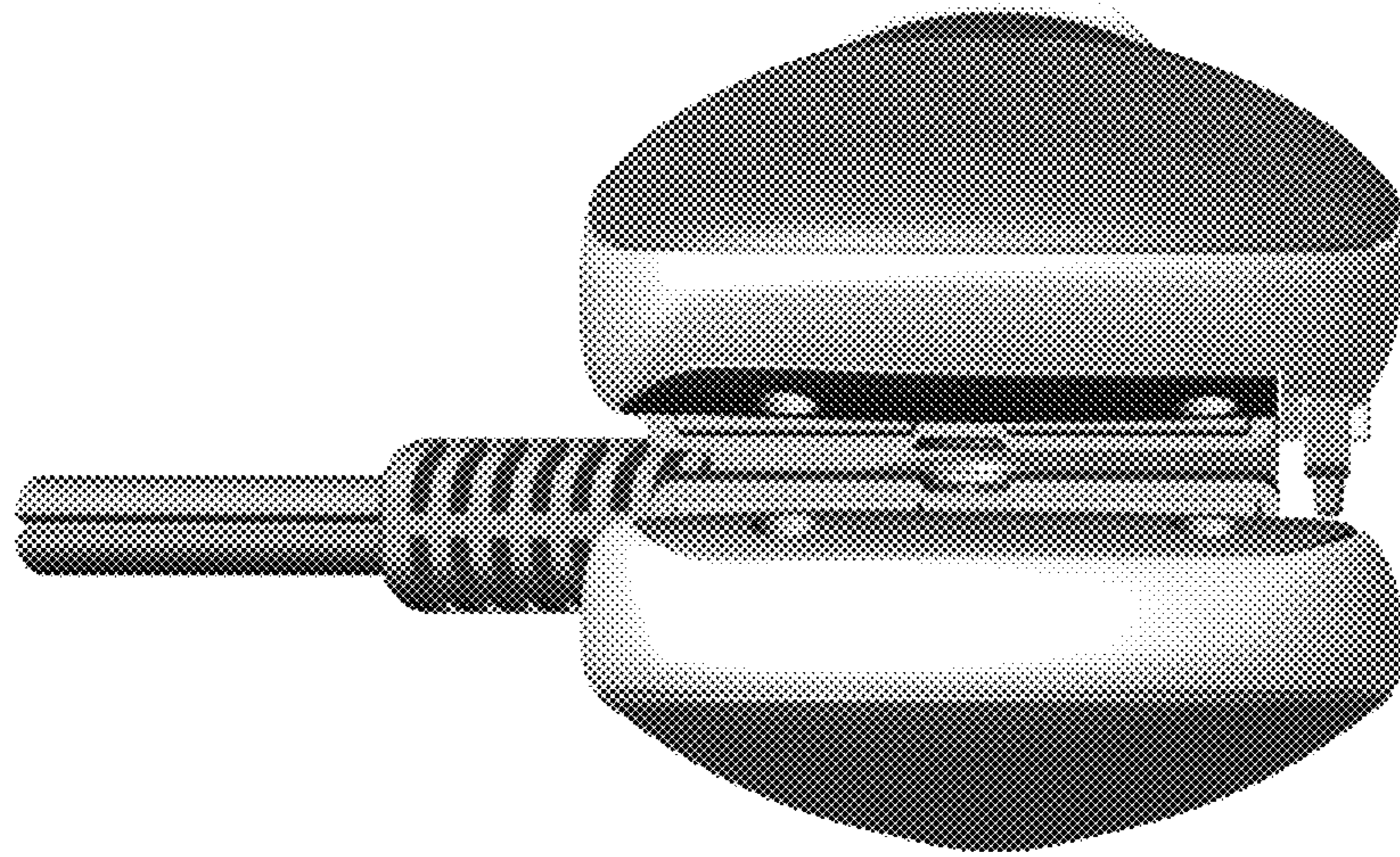
1.2



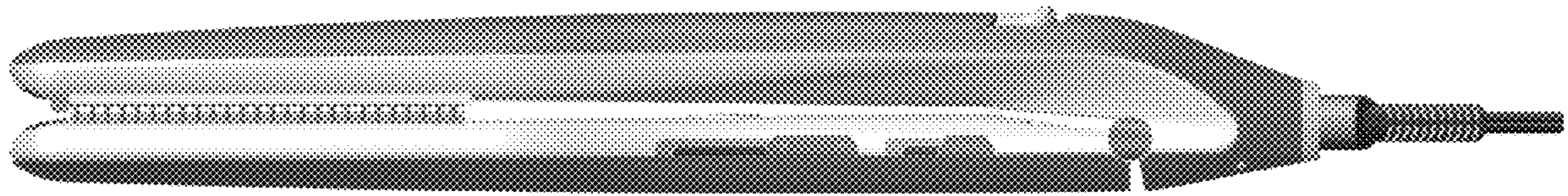
1.3



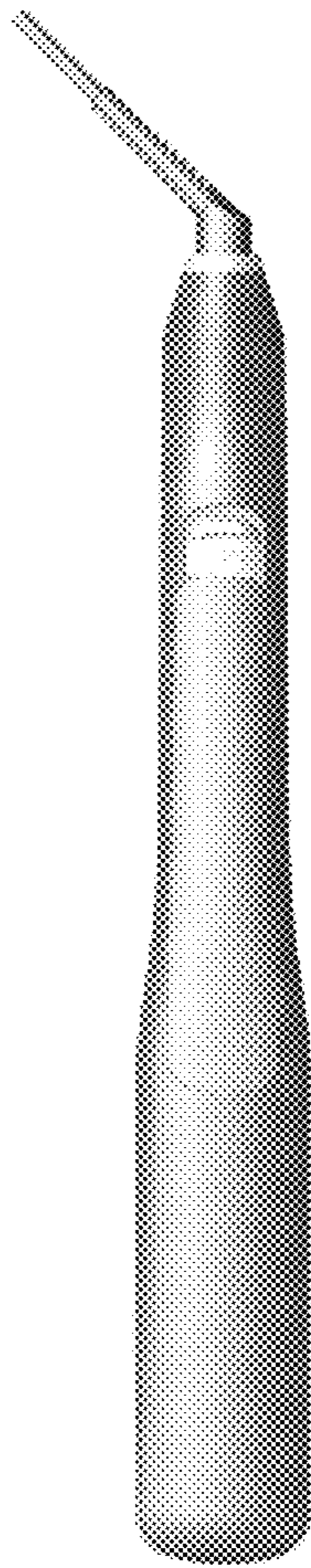
1.4



1.5

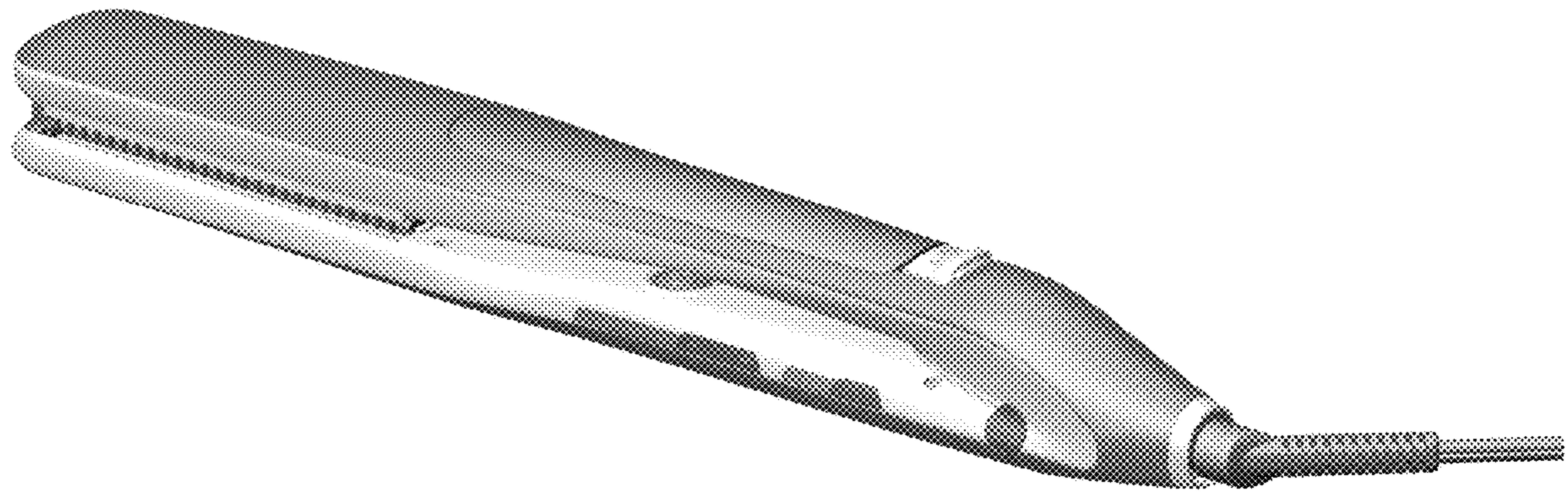


1.6





1.7



1.8

