



US00D935689S

(12) **United States Design Patent**
Huang

(10) **Patent No.:** **US D935,689 S**

(45) **Date of Patent:** **** Nov. 9, 2021**

(54) **HAIR DRYER DIFFUSER**

(71) Applicant: **Jiayong Huang**, Jieyang (CN)

(72) Inventor: **Jiayong Huang**, Jieyang (CN)

(**) Term: **15 Years**

(21) Appl. No.: **29/774,804**

(22) Filed: **Mar. 19, 2021**

(51) **LOC (13) Cl.** **28-03**

(52) **U.S. Cl.**
USPC **D28/18**

(58) **Field of Classification Search**
USPC D28/12-19; D8/29.1
CPC A45D 20/00; A45D 20/08; A45D 20/10;
A45D 20/12; A45D 20/122; A45D
20/124; A45D 2020/128
See application file for complete search history.

(56) **References Cited**

U.S. PATENT DOCUMENTS

D429,374 S *	8/2000	Muller	D28/18
D477,112 S *	7/2003	Yeung	D28/18
D622,001 S *	8/2010	Zabala	D28/18
D715,486 S *	10/2014	Brady	A45D 20/12 D28/18

D782,735 S *	3/2017	Stephens	D28/18
D782,736 S *	3/2017	Stephens	D28/18
D784,614 S *	4/2017	Stephens	D28/18

* cited by examiner

Primary Examiner — Zenia I Bennett

(57) **CLAIM**

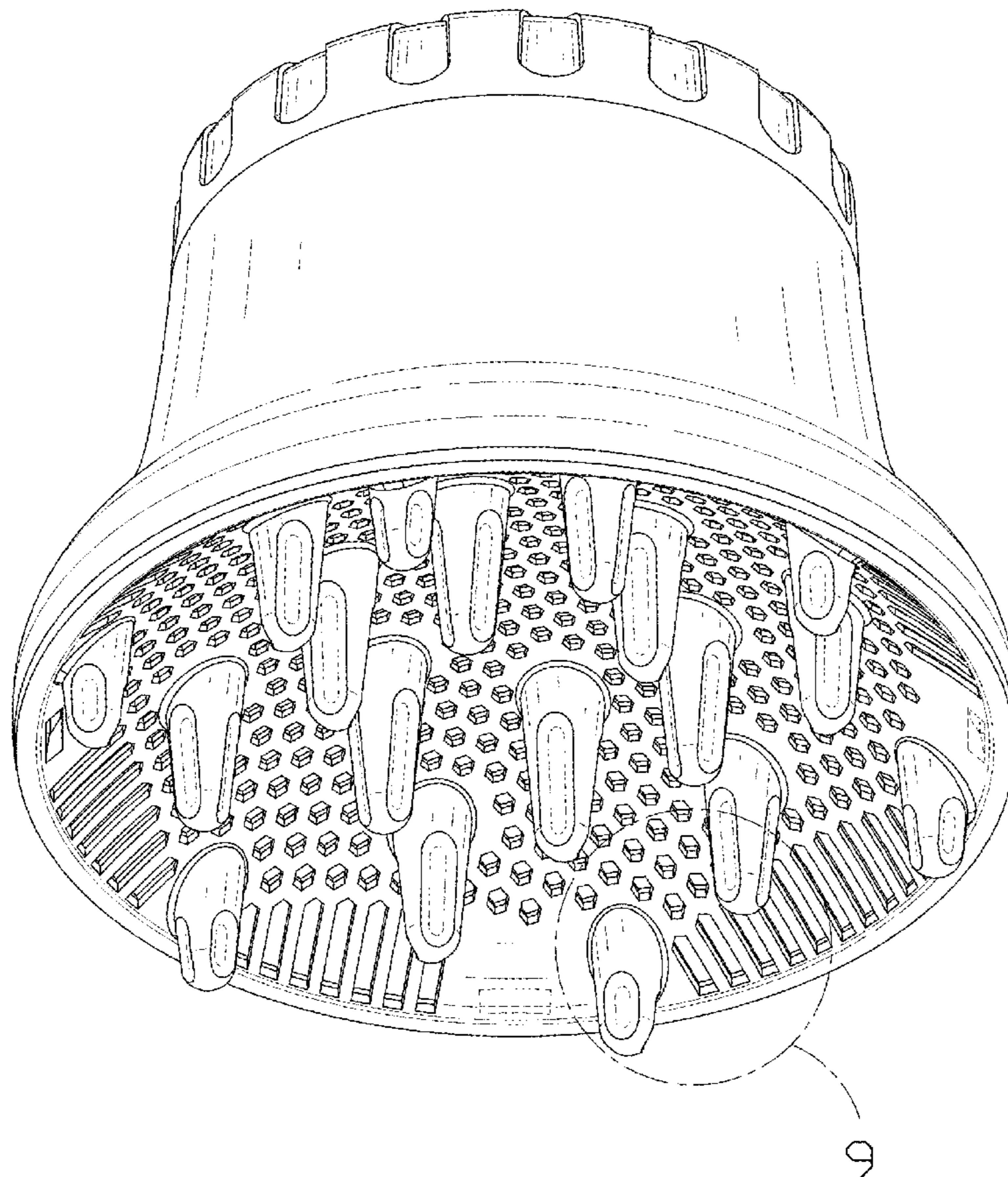
The ornamental design for a hair dryer diffuser, as shown and described.

DESCRIPTION

FIG. 1 is a front and top perspective view of a hair dryer diffuser, showing my new design;
FIG. 2 is a rear and bottom perspective view thereof;
FIG. 3 is a front elevation view thereof;
FIG. 4 is a rear elevation view thereof;
FIG. 5 is a left side elevation view thereof;
FIG. 6 is a right side elevation view thereof;
FIG. 7 is a top plan view thereof;
FIG. 8 is a bottom plan view thereof; and,
FIG. 9 is an enlarged view of a portion indicated with numeric 9 in FIG. 2.

The dashed broken lines in the figures illustrate portions of the hair dryer diffuser that form no part of the claimed design. The dash dot dash lines in FIGS. 2 and 9 are for the purpose of depicting the cut line of the enlarged view and form no part of the claim.

1 Claim, 9 Drawing Sheets



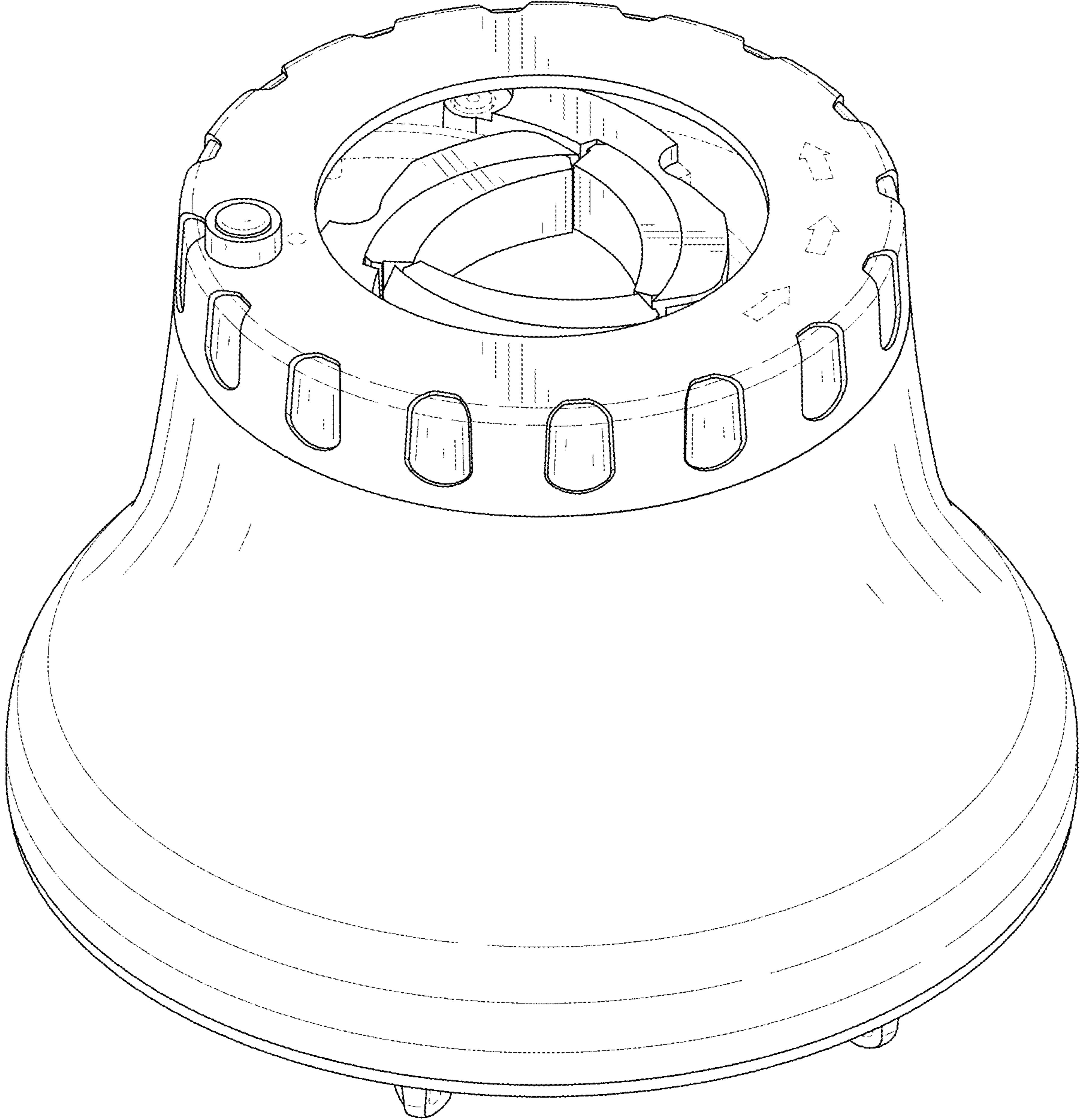


FIG. 1

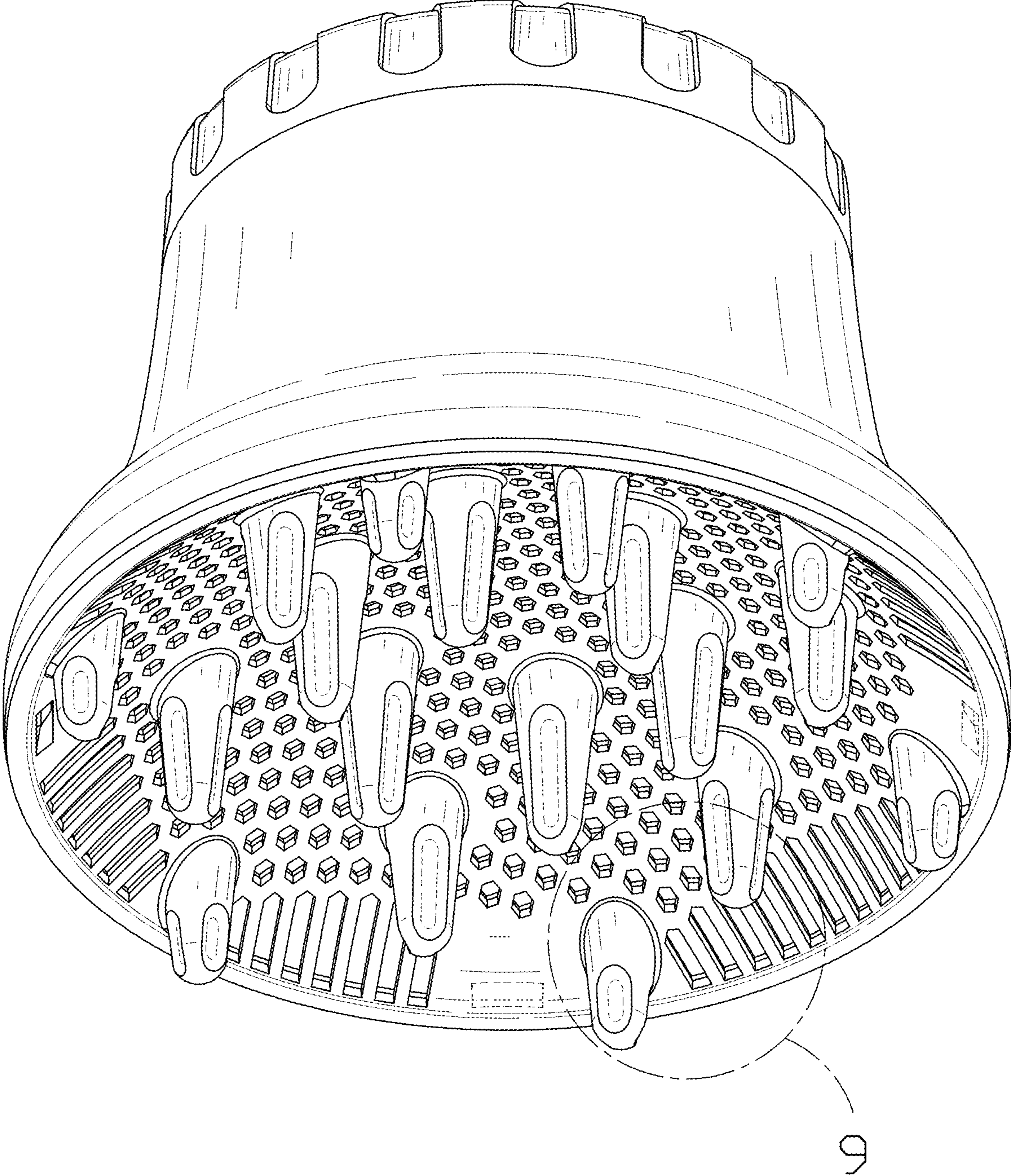


FIG. 2

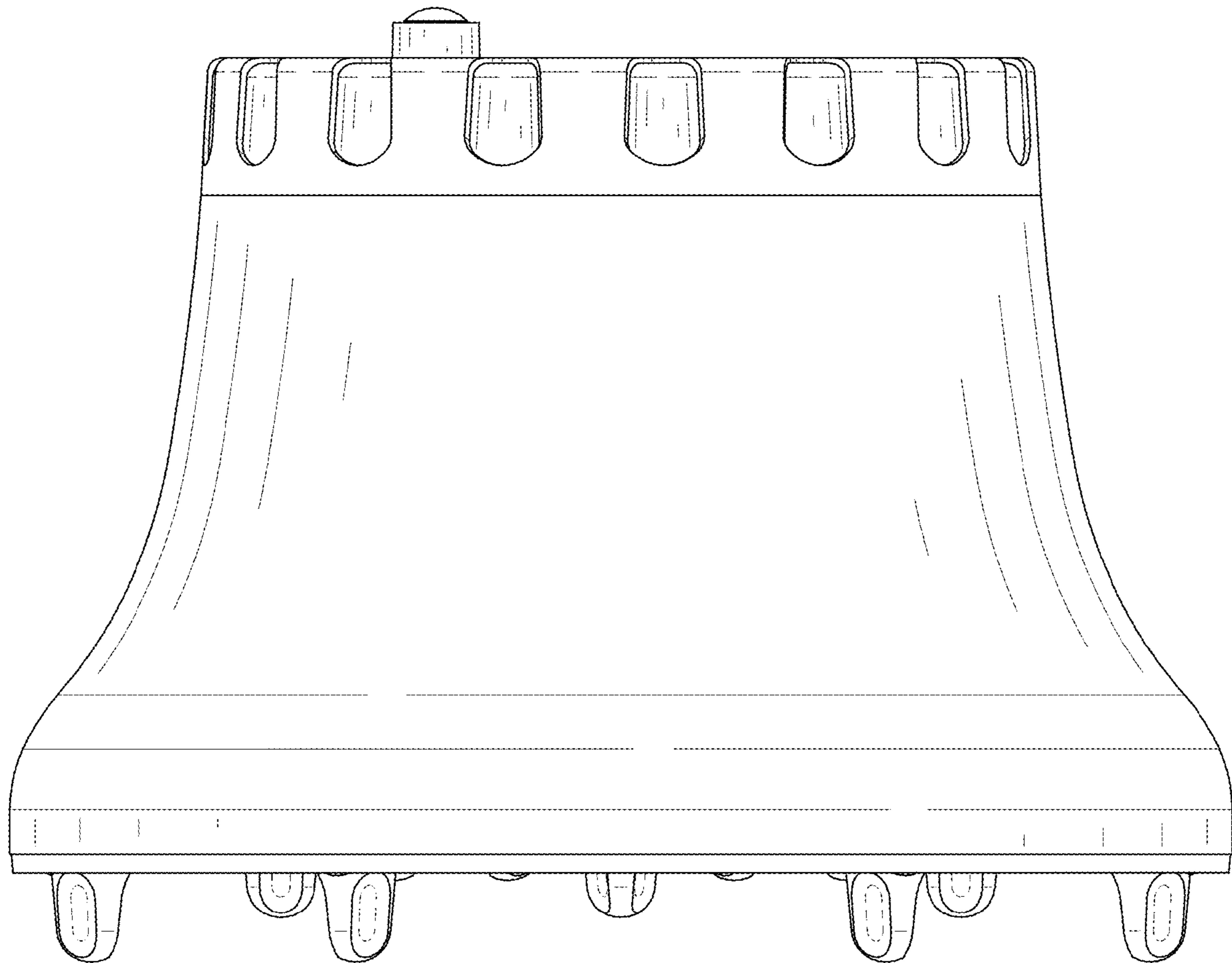


FIG. 3

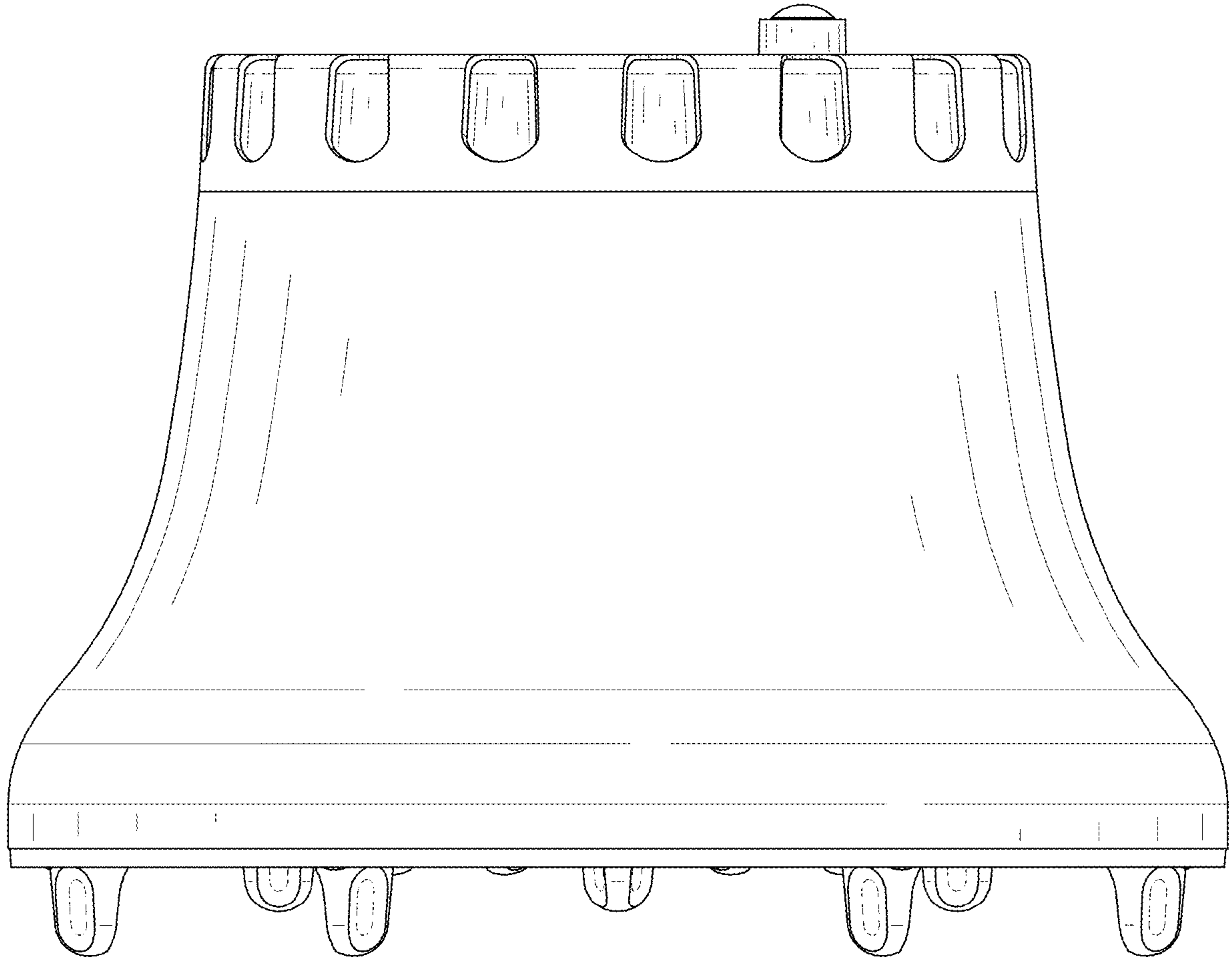


FIG. 4

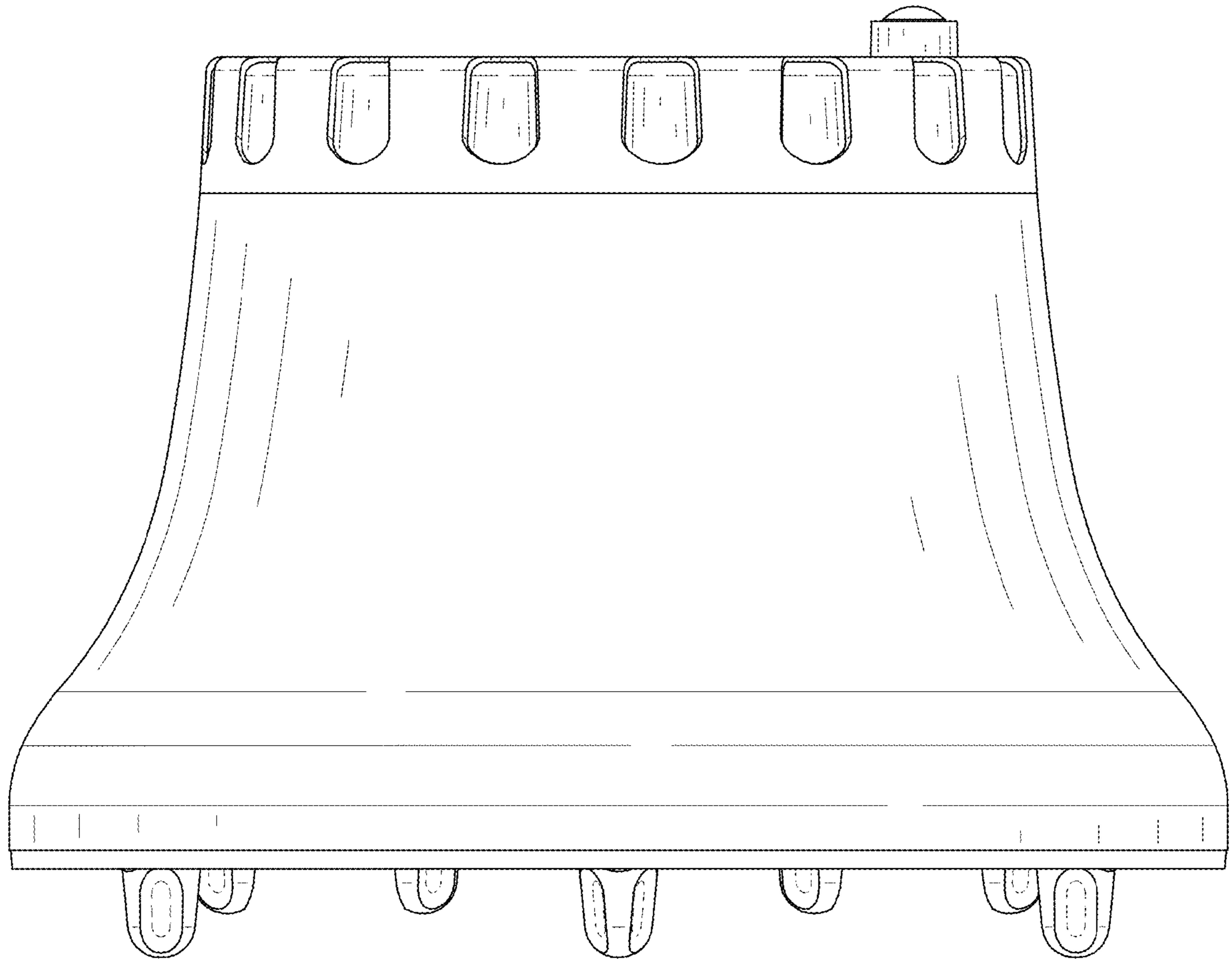


FIG. 5

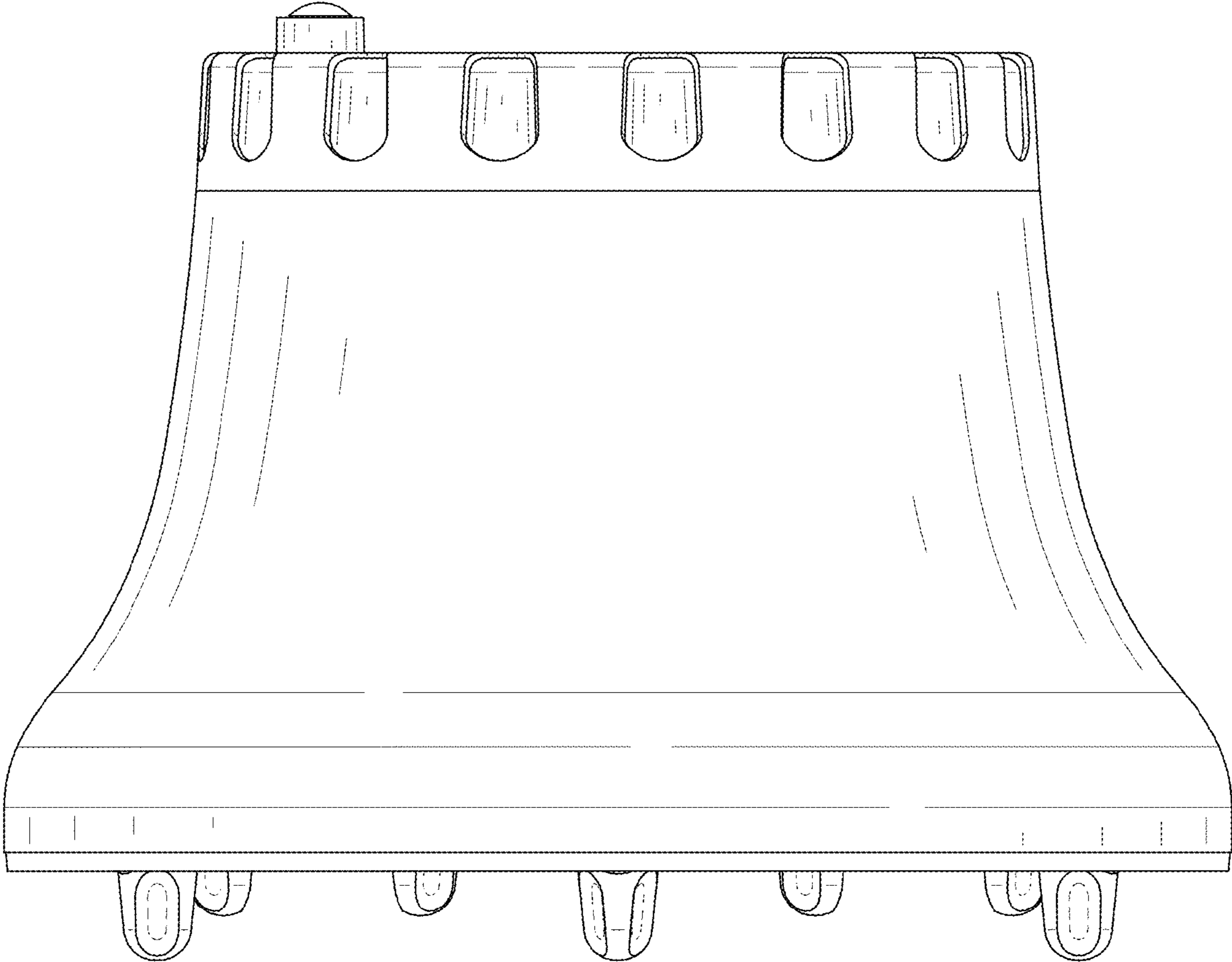


FIG. 6

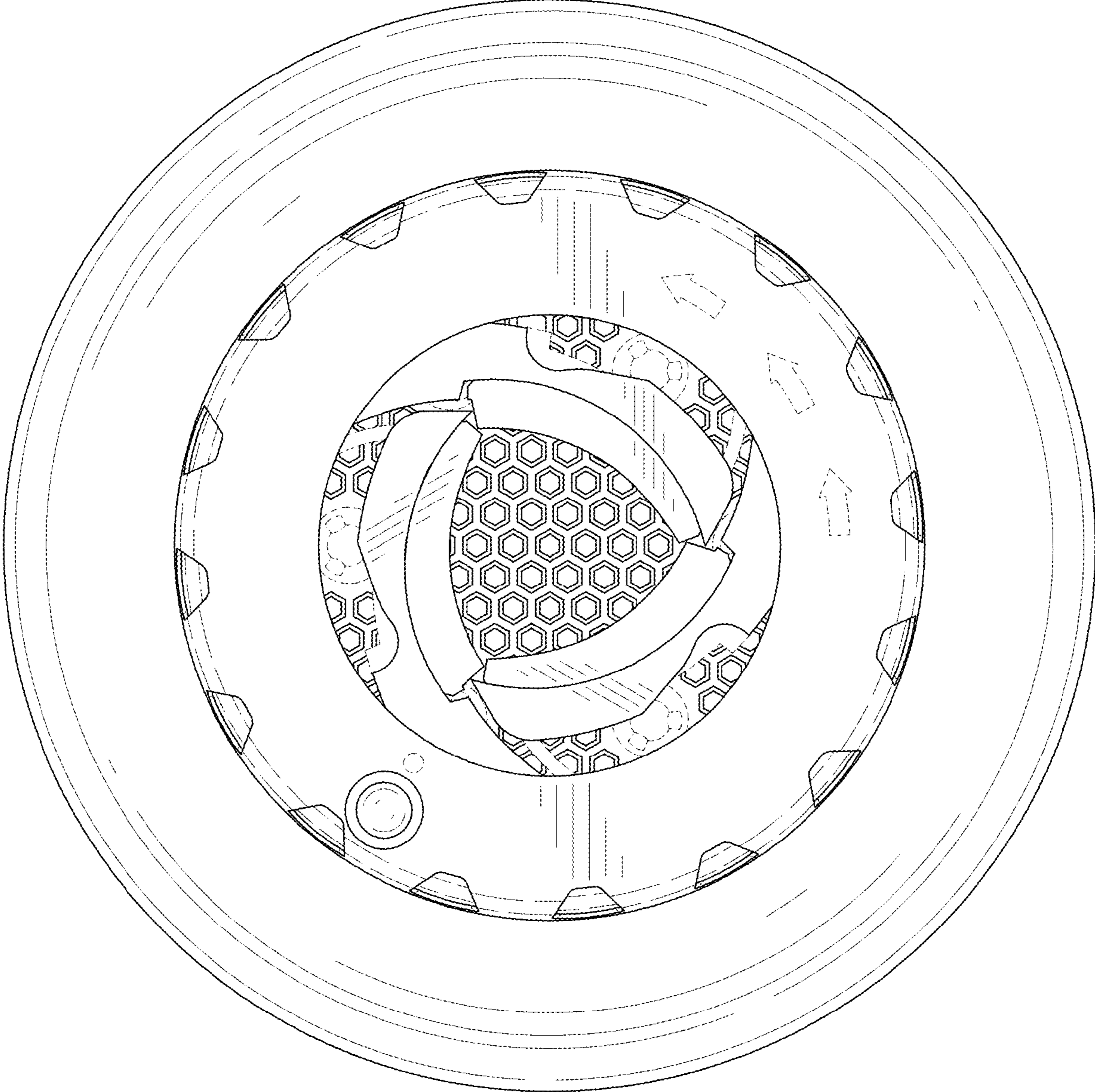


FIG. 7

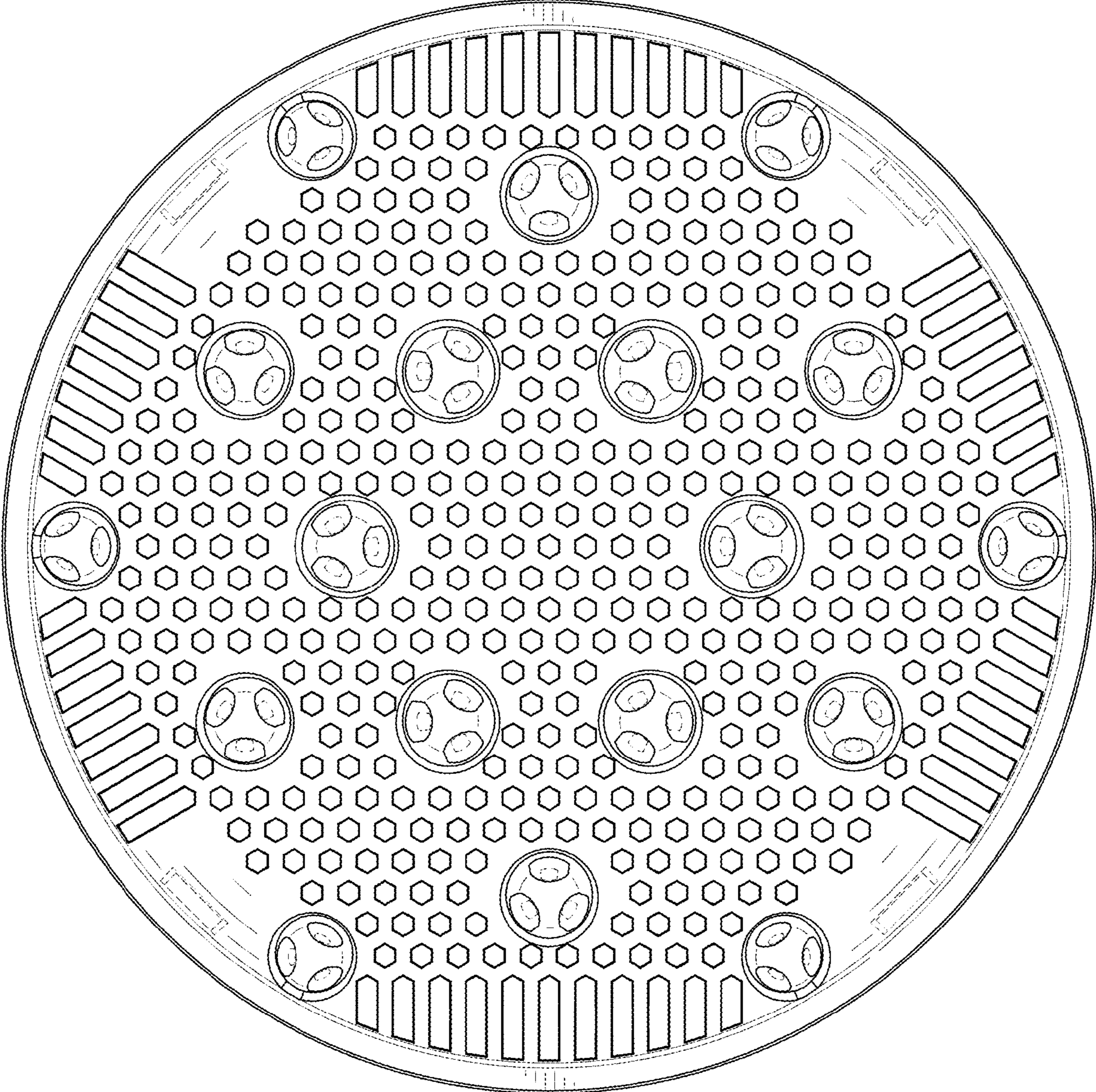


FIG. 8

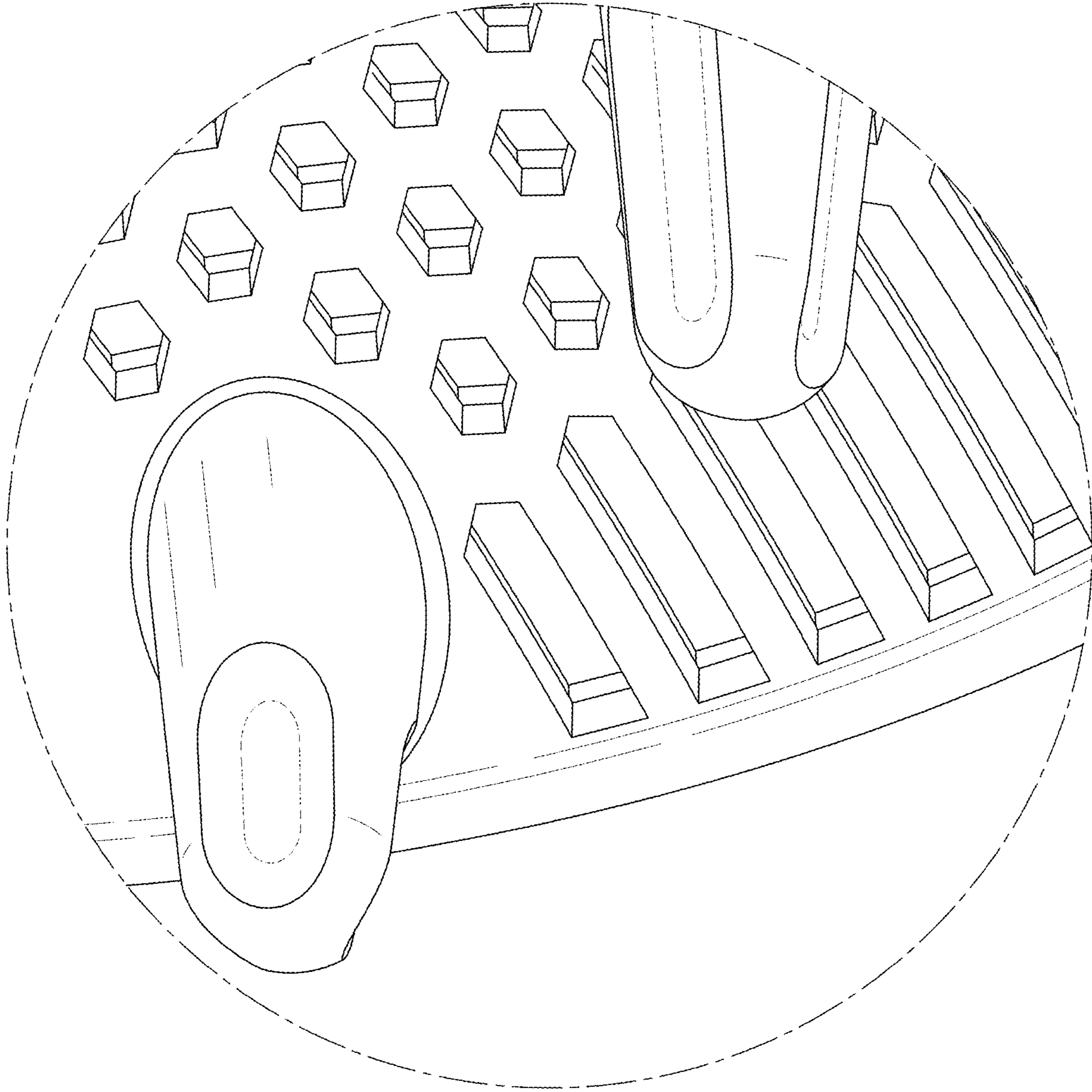


FIG. 9