



(12) **United States Design Patent**  
**Park et al.**

(10) **Patent No.:** **US D935,688 S**  
(45) **Date of Patent:** **\*\* Nov. 9, 2021**

(54) **HAIRDRYER DIFFUSER HEAD**  
(71) Applicant: **LG ELECTRONICS INC.**, Seoul (KR)  
(72) Inventors: **Sunjung Park**, Seoul (KR); **Daekee Shin**, Seoul (KR); **Hophil Lee**, Seoul (KR)

D715,486 S \* 10/2014 Brady ..... A45D 20/12 D28/18  
D784,614 S \* 4/2017 Stephens ..... D28/18  
10,076,172 B2 \* 9/2018 Stephens ..... A45D 20/122  
(Continued)

(73) Assignee: **LG ELECTRONICS INC.**, Seoul (KR)

**FOREIGN PATENT DOCUMENTS**

CN 305436445 \* 3/2019

(\*\*) Term: **15 Years**

(21) Appl. No.: **29/713,469**

(22) Filed: **Nov. 15, 2019**

**OTHER PUBLICATIONS**

Anself Hair Diffuser Blow Dryers Diffuser [online], [site visited Apr. 7, 2021]. Available from internet, URL: <<https://www.amazon.com/Anself-Diffuser-Accessories-Adjustable-Supports/dp/B08LH5G4R7/>> (Year: 2021).\*

(Continued)

(30) **Foreign Application Priority Data**

May 17, 2019 (WO) ..... WIPO83639

(51) **LOC (13) Cl.** ..... **28-03**

(52) **U.S. Cl.**  
USPC ..... **D28/18**

(58) **Field of Classification Search**  
USPC ..... D28/9, 10, 12-20, 25, 28; D30/158, 159  
CPC ..... A45D 20/00; A45D 20/04; A45D 20/08;  
A45D 20/10; A45D 20/12; A45D 20/122;  
A45D 20/14; A45D 20/124; A45D 20/26;  
A45D 20/16; A45D 20/126; A45D  
2020/128  
See application file for complete search history.

*Primary Examiner* — Cynthia Ramirez

*Assistant Examiner* — Xavier Marti-Santos

(74) *Attorney, Agent, or Firm* — Birch, Stewart, Kolasch & Birch, LLP

(57) **CLAIM**

The ornamental design for a hairdryer diffuser head, as shown and described.

**DESCRIPTION**

FIG. 1 is a front perspective view of the hairdryer diffuser head showing our new design;  
FIG. 2 is a front view thereof;  
FIG. 3 is a back view thereof;  
FIG. 4 is a left view thereof where the right view is a mirror image;  
FIG. 5 is a top view thereof;  
FIG. 6 is a bottom view thereof; and,  
FIG. 7 is another perspective view thereof shown in condition of use with environment.

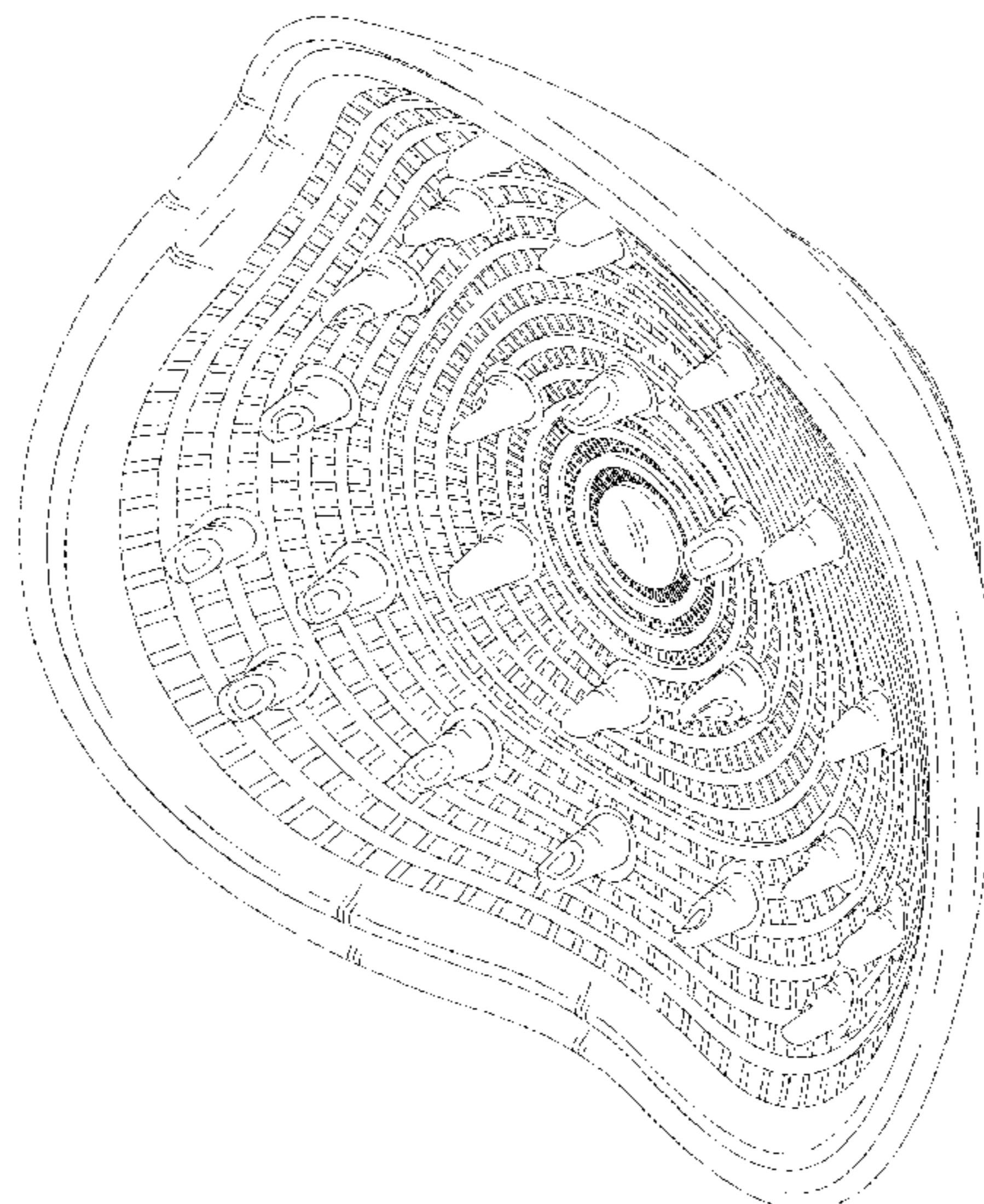
The portions of FIG. 7 drawn in broken lines show environmental structure only and form no part of the claimed design.

(56) **References Cited**

**U.S. PATENT DOCUMENTS**

D369,229 S \* 4/1996 Oberheim ..... D28/18  
D429,374 S \* 8/2000 Muller ..... D28/18  
D462,141 S \* 8/2002 Carlucci ..... D28/18  
D477,112 S \* 7/2003 Yeung ..... D28/18  
D617,945 S \* 6/2010 Kim ..... D28/18  
D622,001 S \* 8/2010 Zabala ..... D28/18

**1 Claim, 7 Drawing Sheets**



(56)

**References Cited**

U.S. PATENT DOCUMENTS

10,165,844 B2 \* 1/2019 Stephens ..... A45D 20/122  
2011/0197466 A1 \* 8/2011 Shami ..... A45D 20/12  
34/283

OTHER PUBLICATIONS

Infinitipro By Conair 1875 Watt AC Motor Pro Hair Dryer [online],  
[site visited Apr. 7, 2021]. Available from internet, URL: <[https://www.amazon.com/Conair-INFINITIPRO-Motor-Dryer-Black/dp/B07TT9XH98/ref=sr\\_1\\_28?dchild=1&keywords=hair+dryer+diffuser&qid=1617799047&sr=8-28](https://www.amazon.com/Conair-INFINITIPRO-Motor-Dryer-Black/dp/B07TT9XH98/ref=sr_1_28?dchild=1&keywords=hair+dryer+diffuser&qid=1617799047&sr=8-28)> (Year: 2019).\*

\* cited by examiner

FIG. 1

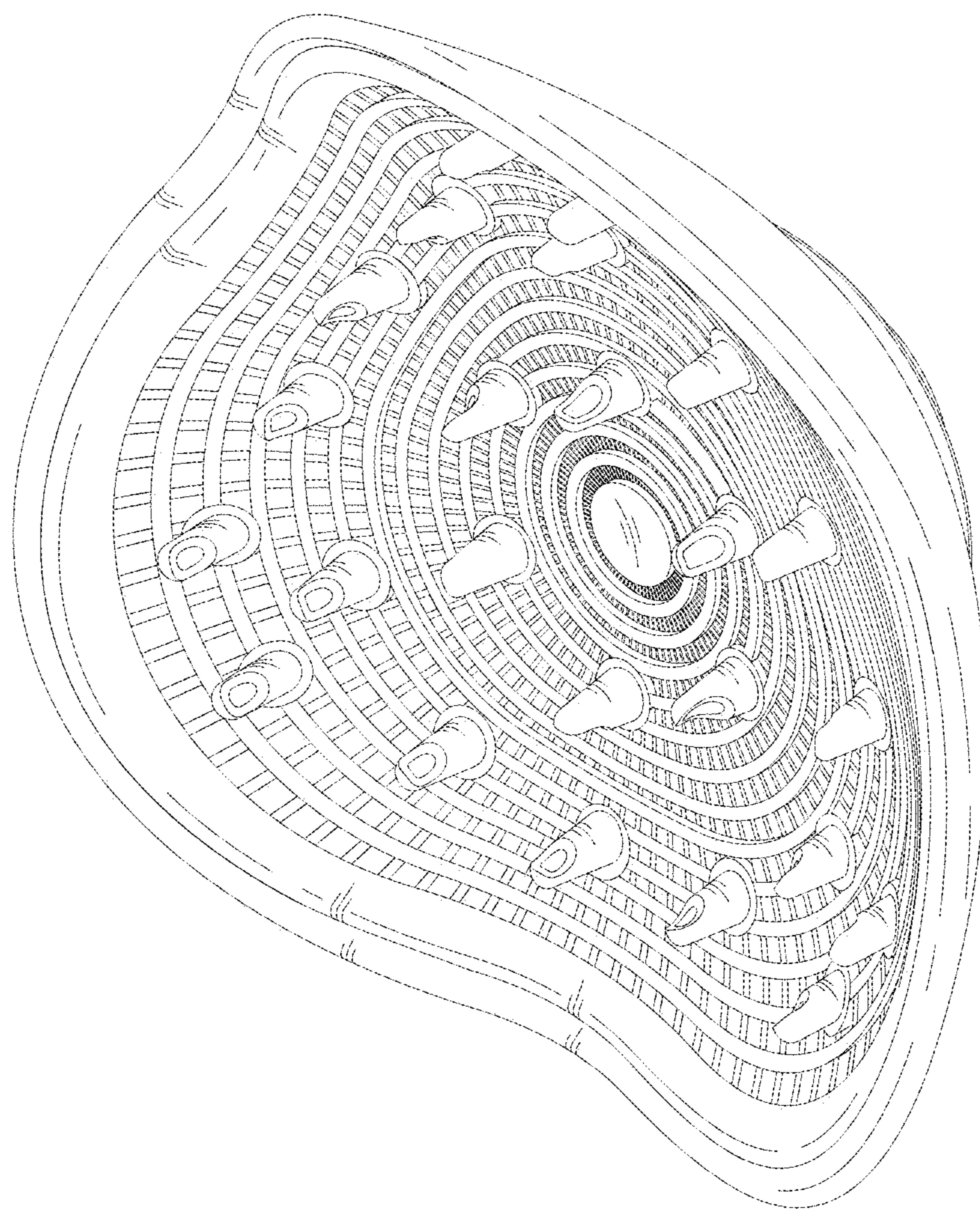


FIG. 2

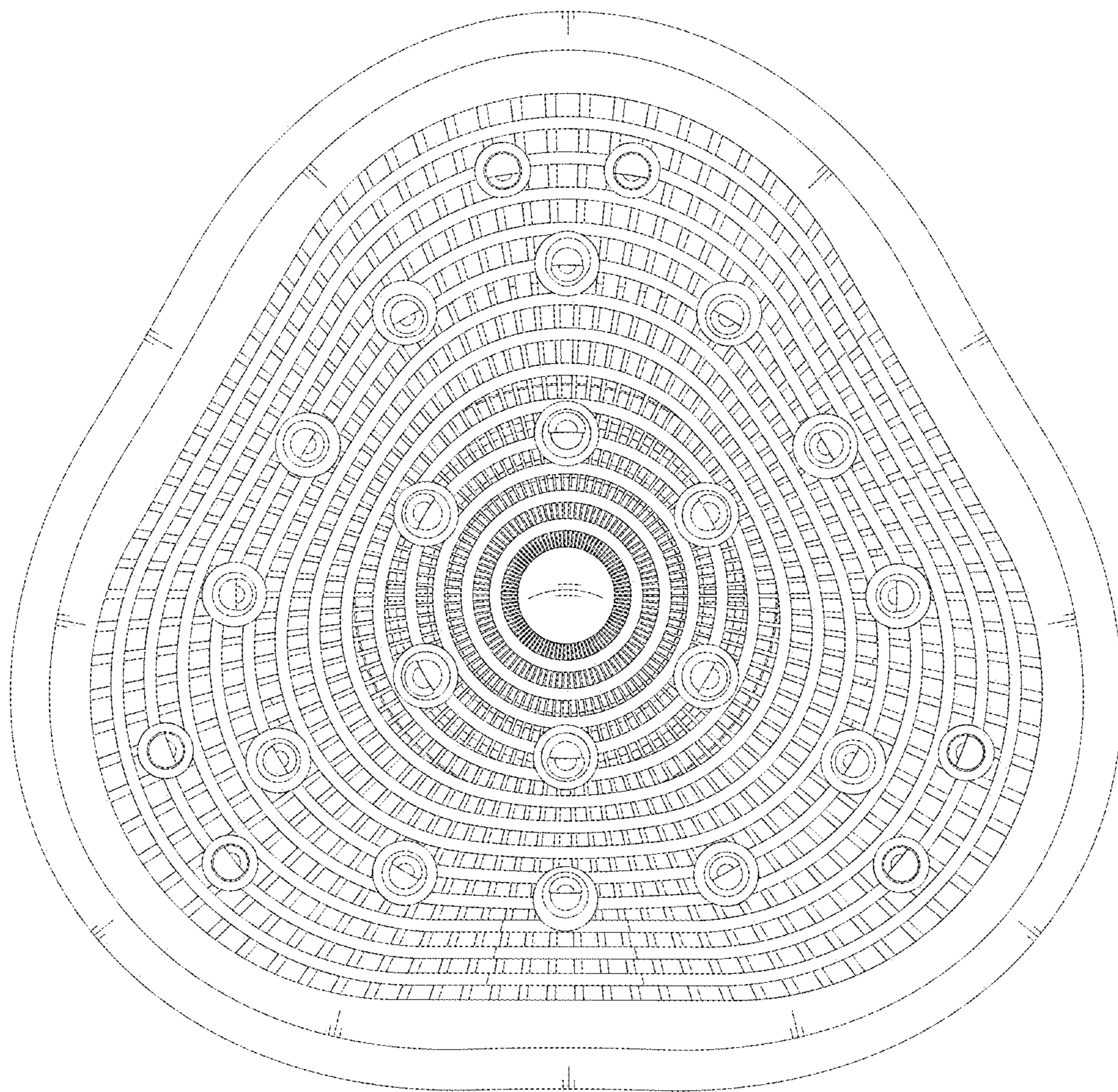


FIG. 3

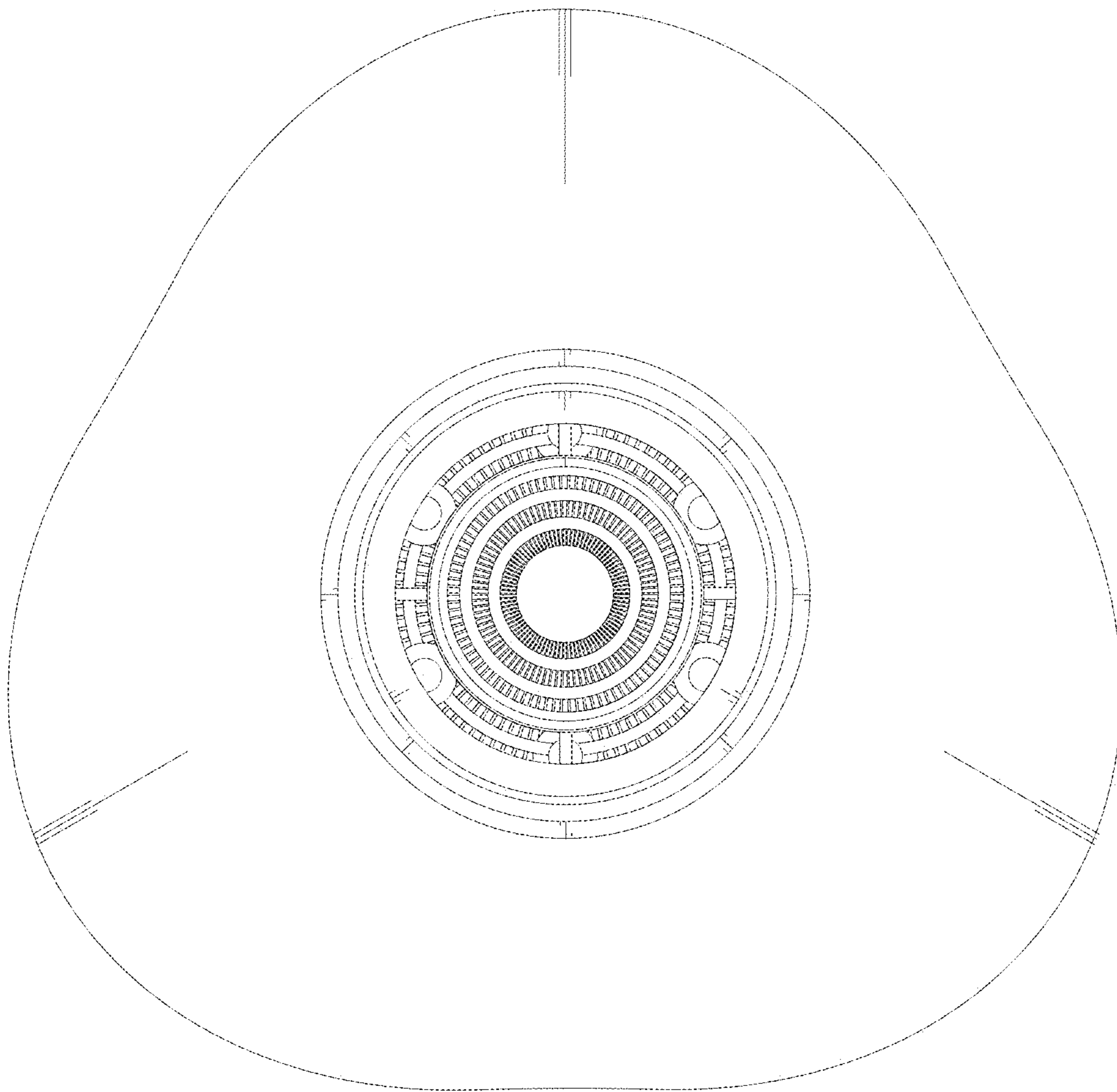


FIG. 4

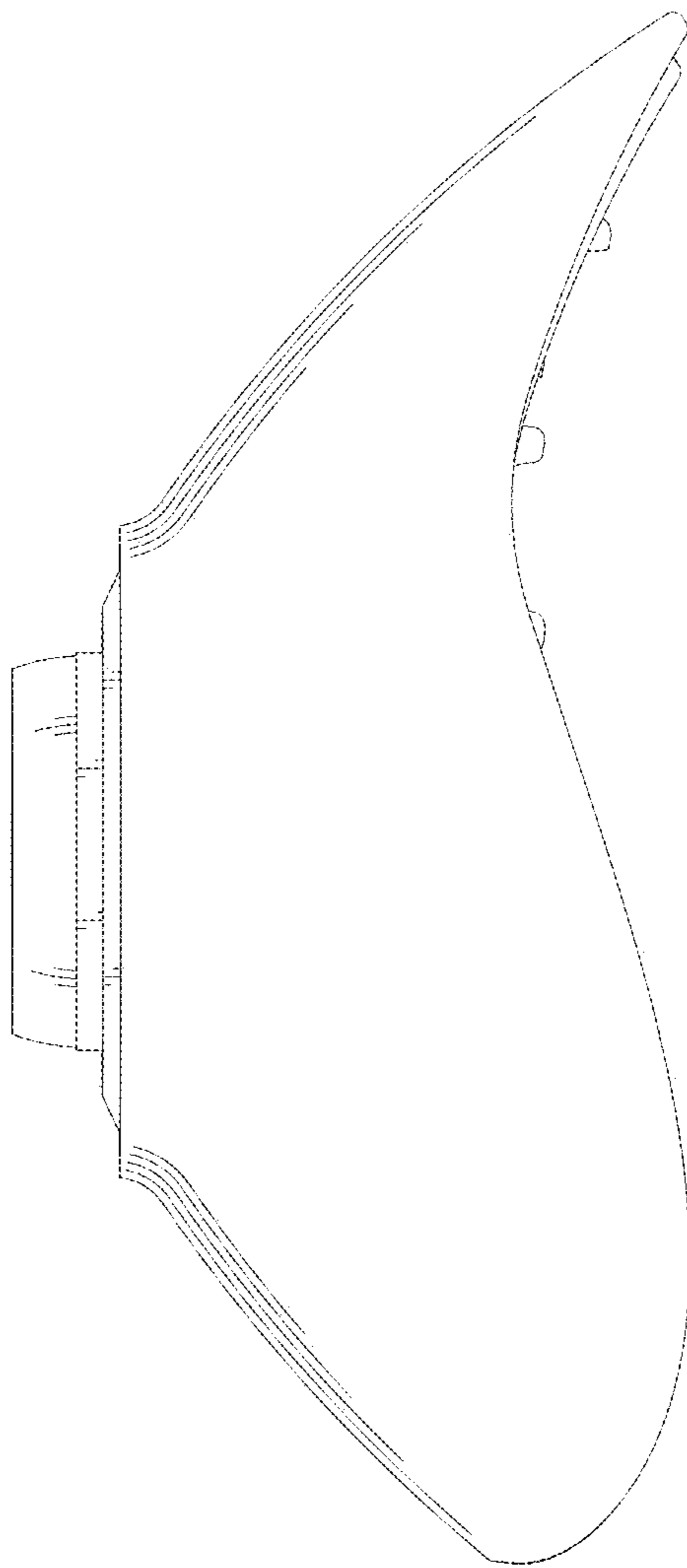


FIG. 5

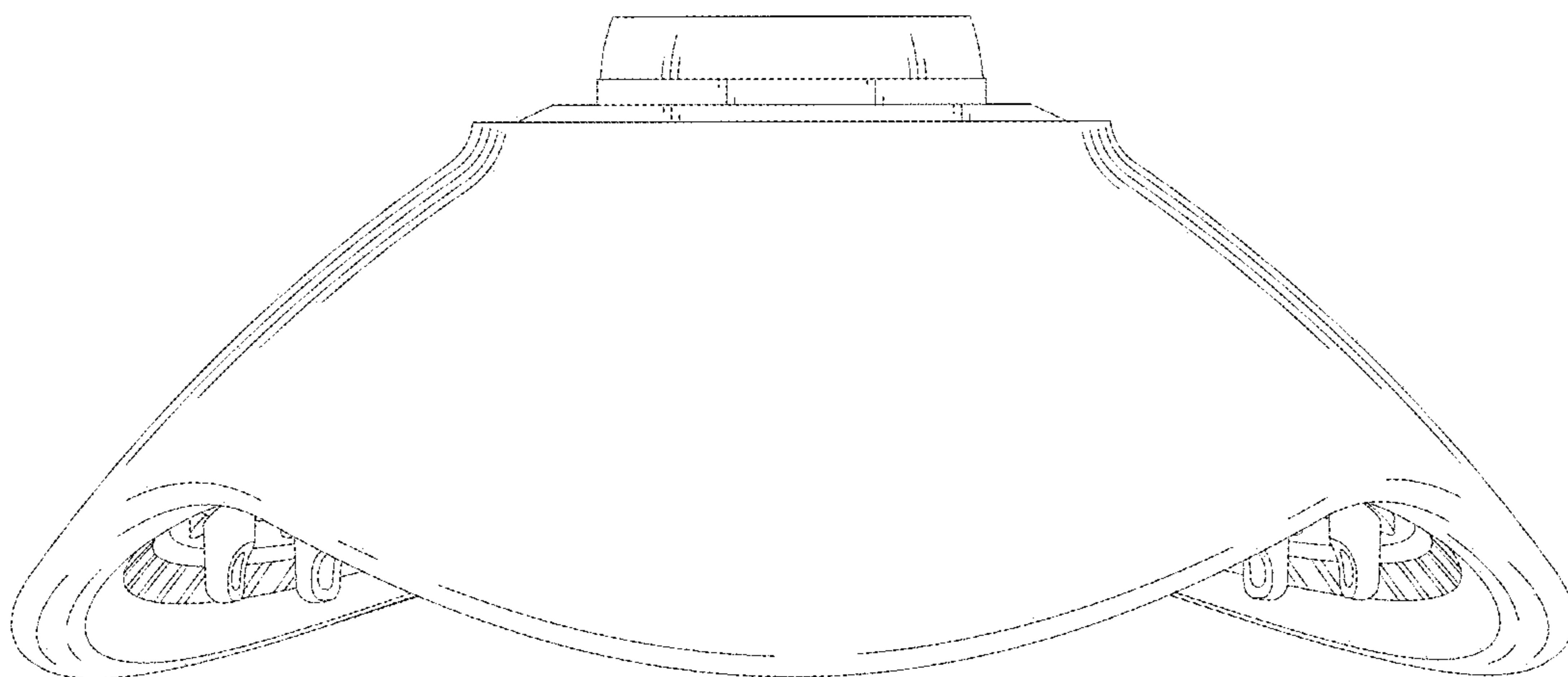


FIG. 6

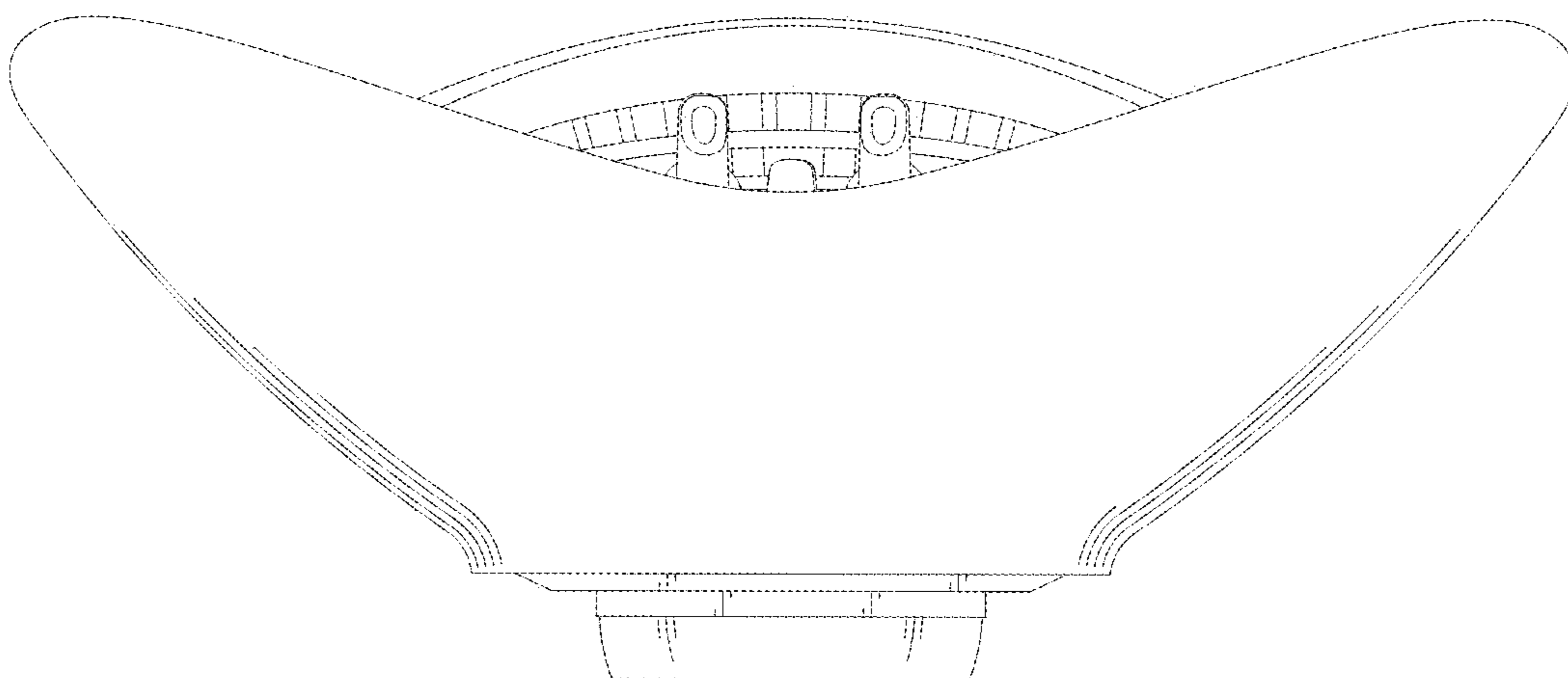




FIG. 7

