



US00D935684S

(12) **United States Design Patent** (10) **Patent No.:** **US D935,684 S**  
**Wu** (45) **Date of Patent:** **\*\* Nov. 9, 2021**

(54) **TABLE LAMP**

(71) Applicant: **Kunming Wu**, Zhongshan (CN)

(72) Inventor: **Kunming Wu**, Zhongshan (CN)

(\*\*) Term: **15 Years**

(21) Appl. No.: **29/769,992**

(22) Filed: **Feb. 9, 2021**

(51) **LOC (13) Cl.** ..... **26-05**

(52) **U.S. Cl.**  
USPC ..... **D26/107**

(58) **Field of Classification Search**  
USPC .... D26/1, 24, 25, 37, 40-45, 48-50, 60, 61,  
D26/63, 93, 106, 107, 108, 113, 119  
CPC ..... F21S 4/00; F21S 4/15; F21S 2/00; F21V  
21/08  
See application file for complete search history.

(56) **References Cited**

**U.S. PATENT DOCUMENTS**

D453,234 S	1/2002	Hsu	
D623,788 S *	9/2010	Huang	D26/65
D641,916 S *	7/2011	Witsch	D26/107
D654,199 S *	2/2012	Xie	D26/63
D681,865 S *	5/2013	Lee	D26/107
D758,631 S *	6/2016	Cai	D26/63
D759,282 S *	6/2016	Lee	D26/65
D772,472 S	11/2016	Velez et al.	
D804,071 S *	11/2017	Xu	D26/63
D804,072 S *	11/2017	Xu	D26/63
D835,330 S *	12/2018	Richardson	D26/107

D858,835 S *	9/2019	Xiao	D26/51
D866,845 S *	11/2019	Gruendl	D26/107
D871,649 S *	12/2019	Meise	D26/107
D871,650 S *	12/2019	Meise	D26/107
D873,463 S *	1/2020	Wang	D26/65
D875,985 S *	2/2020	Yi	D26/65
D907,837 S *	1/2021	Tang	D26/107
D911,589 S *	2/2021	Huang	D26/107
D918,450 S *	5/2021	Raghunathan	D26/51
D918,455 S *	5/2021	Zhang	D26/65

\* cited by examiner

*Primary Examiner* — Mark A Goodwin  
*Assistant Examiner* — Benjamin M Weeks

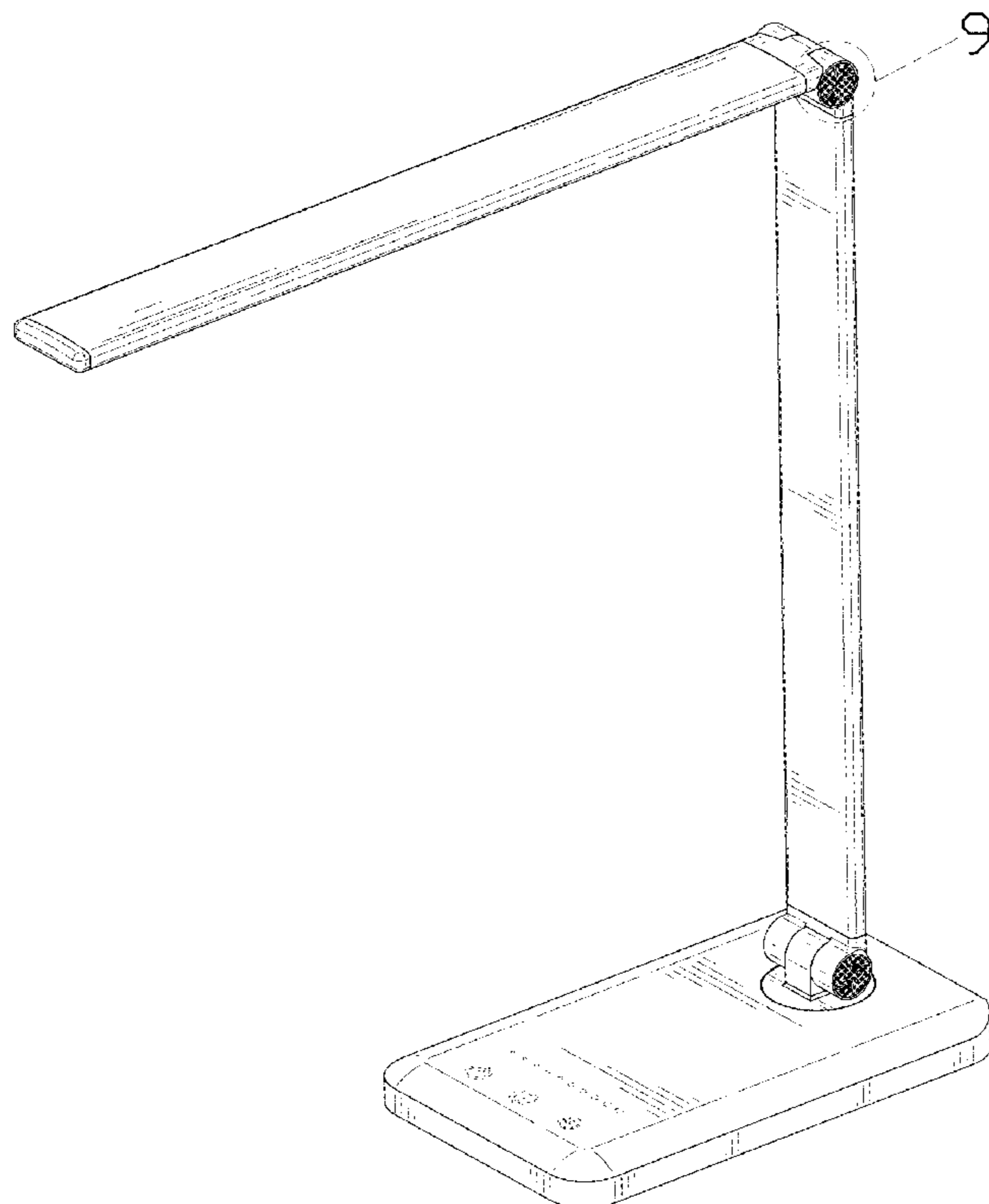
(57) **CLAIM**

The ornamental design for a table lamp, as shown and described.

**DESCRIPTION**

FIG. 1 is a perspective view of a table lamp showing my new design;  
 FIG. 2 is another perspective view thereof;  
 FIG. 3 is a front elevational view thereof;  
 FIG. 4 is a rear elevational view thereof;  
 FIG. 5 is a left side elevational view thereof;  
 FIG. 6 is a right side elevational view thereof;  
 FIG. 7 is a top plan view thereof;  
 FIG. 8 is a bottom plan view thereof;  
 FIG. 9 is an enlarged view of portion 9 shown in FIG. 1; and,  
 FIG. 10 is an enlarged view of portion 10 shown in FIG. 5.  
 The broken lines in the drawings depict portions of the table lamp that form no part of the claimed design.

**1 Claim, 10 Drawing Sheets**



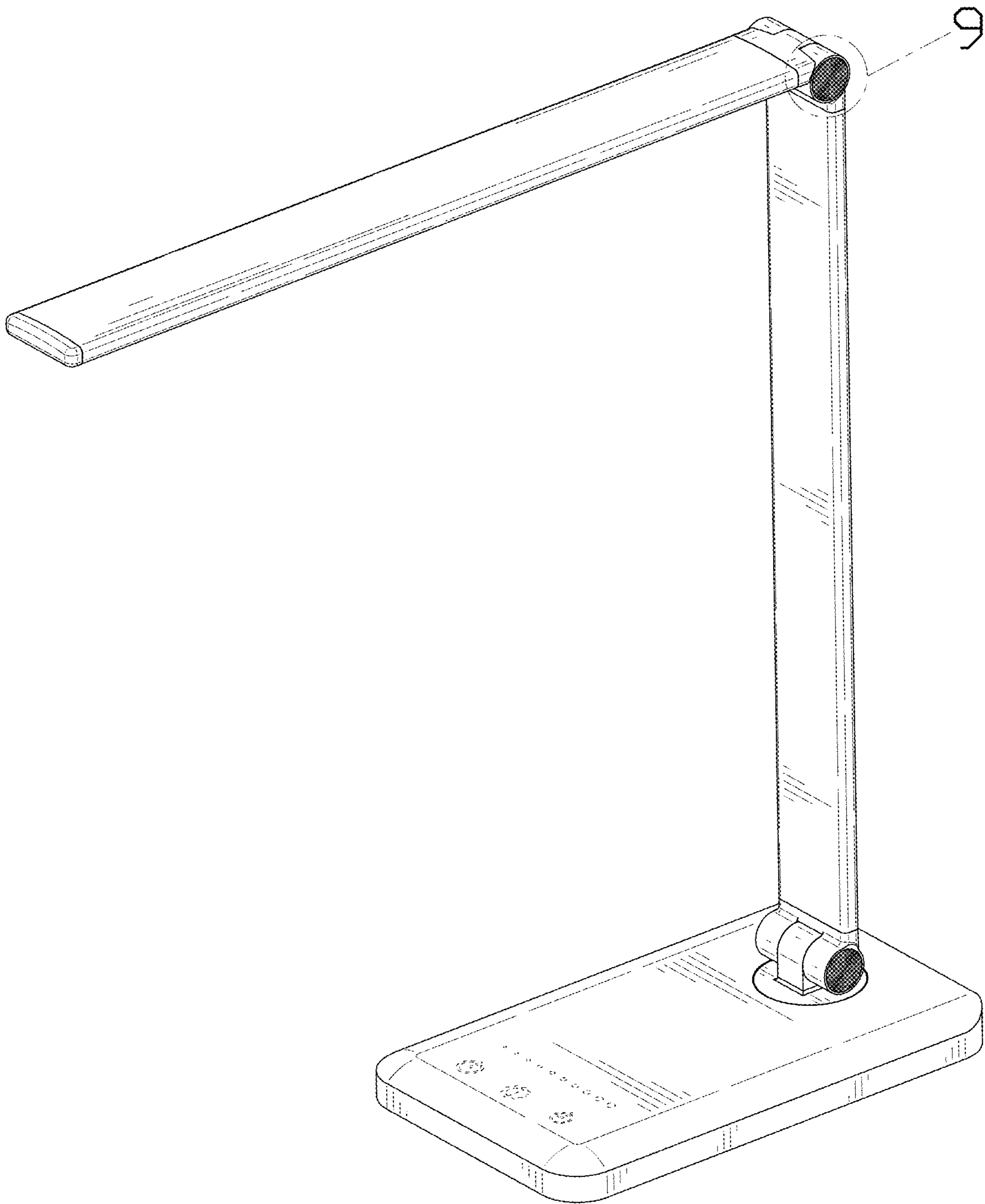


FIG. 1

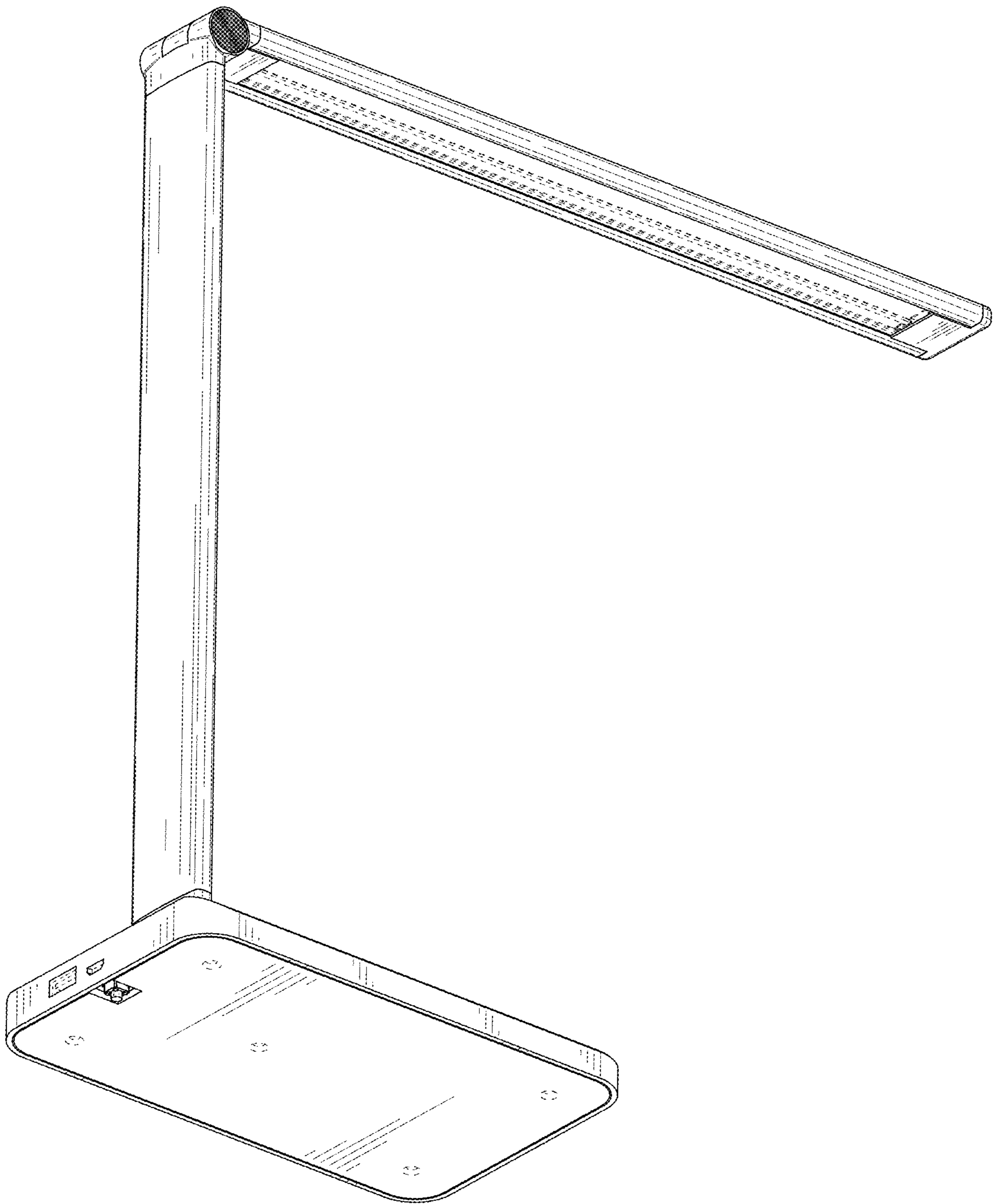


FIG. 2

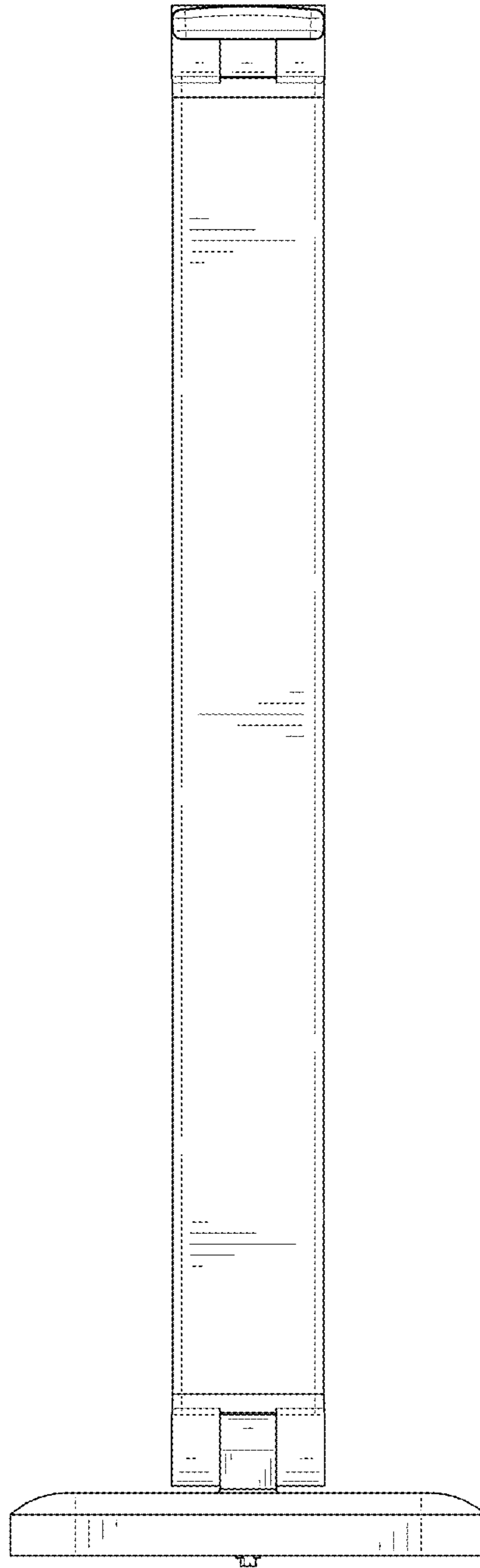


FIG. 3

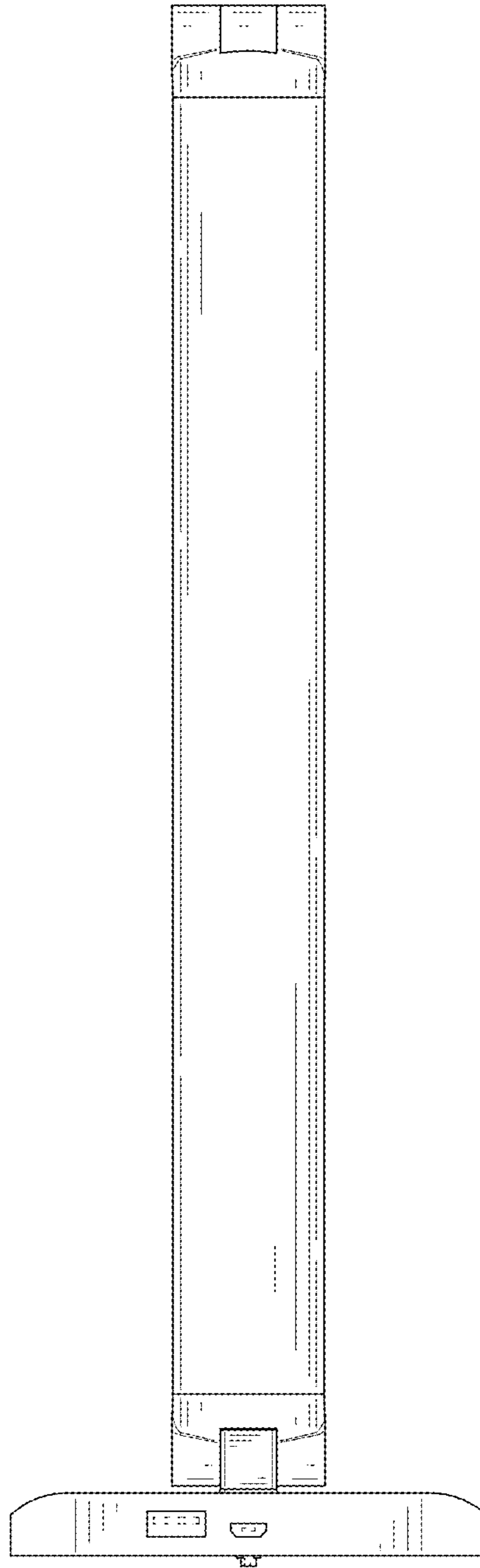


FIG. 4

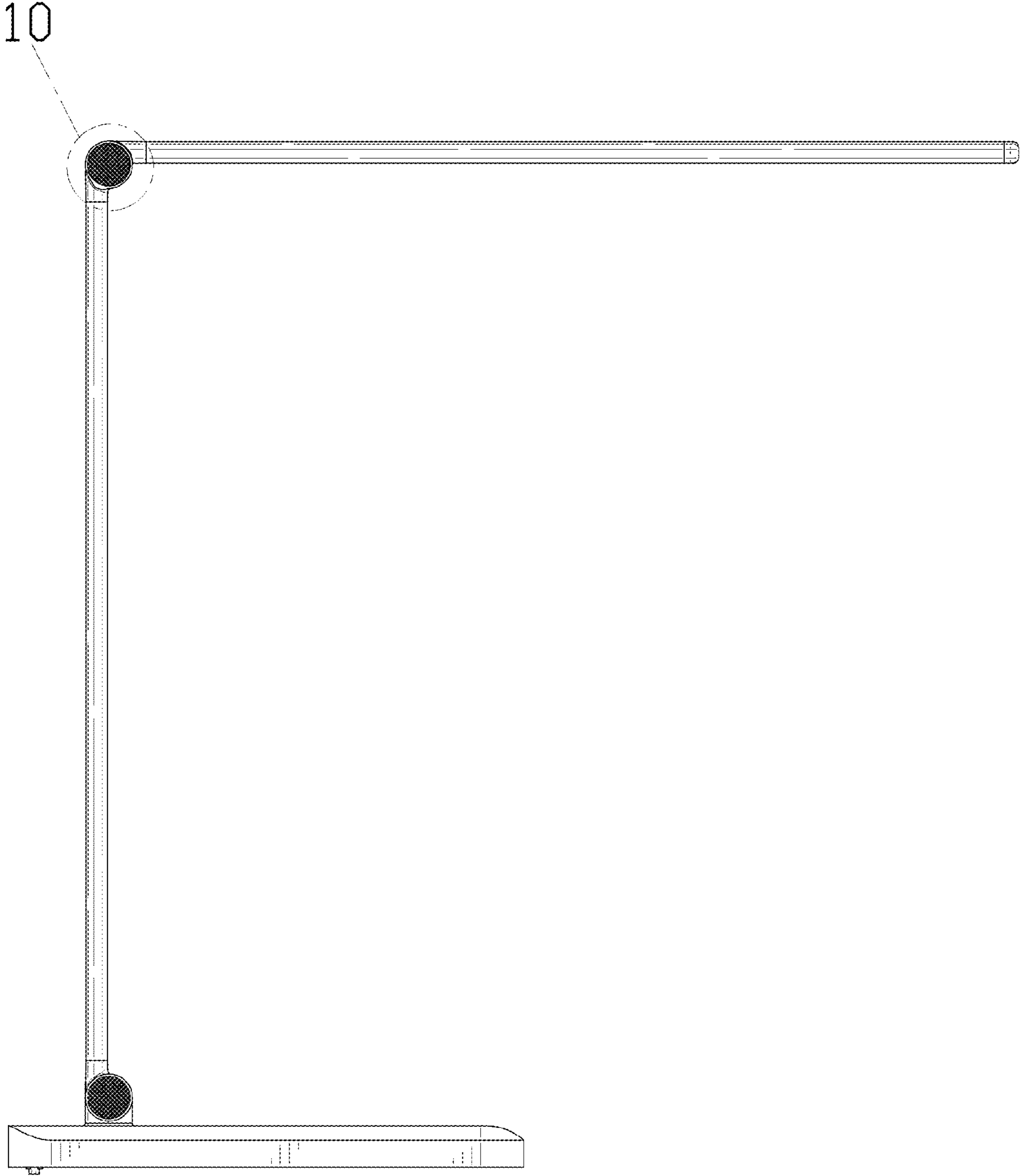


FIG. 5

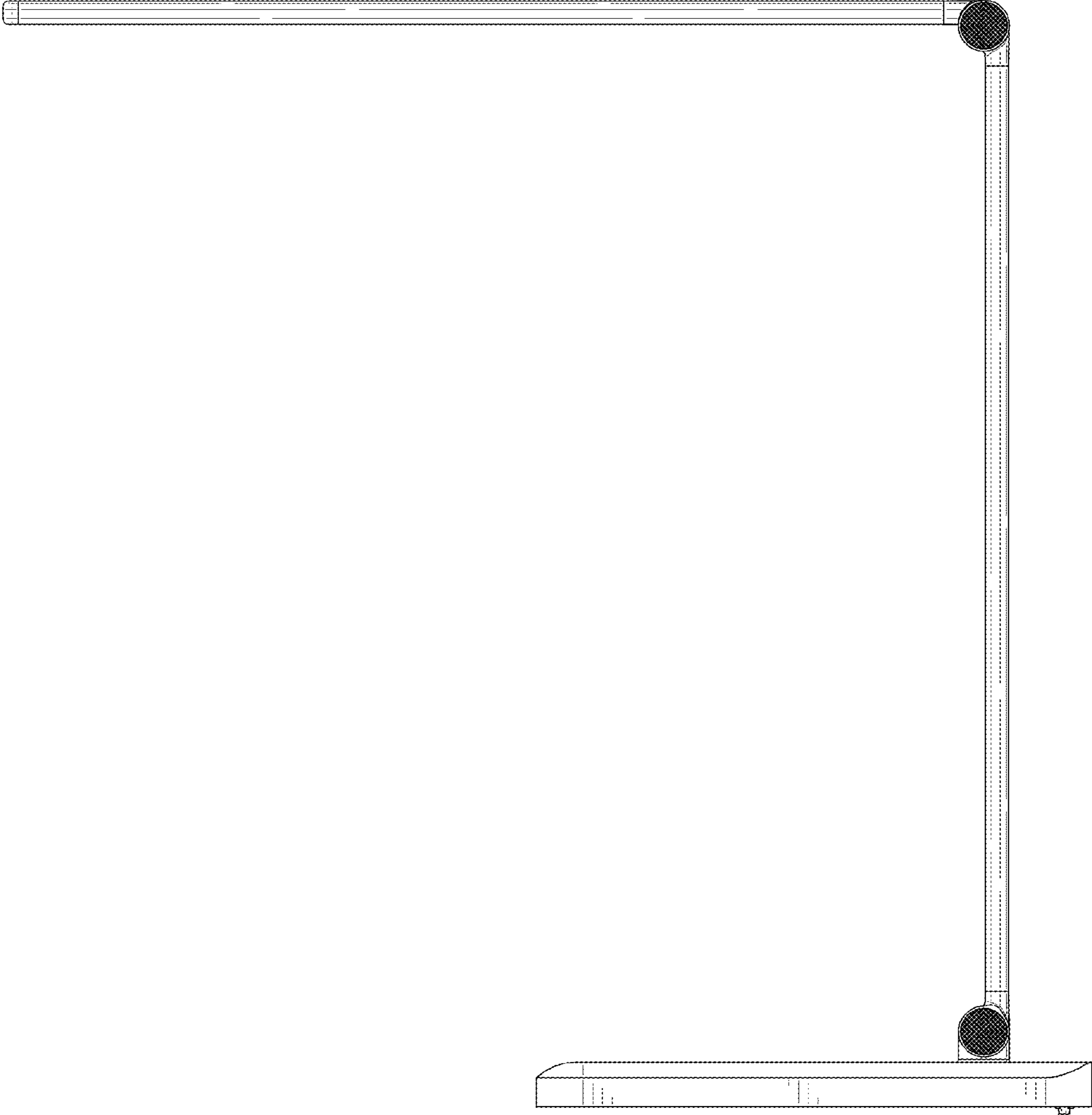


FIG. 6

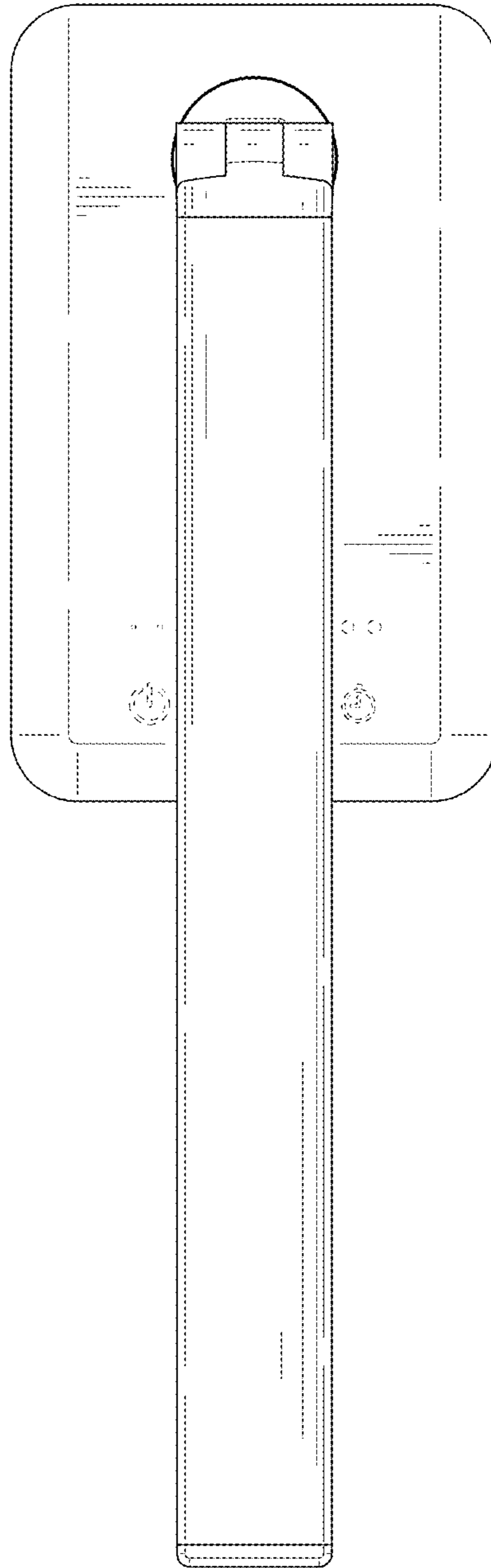


FIG. 7



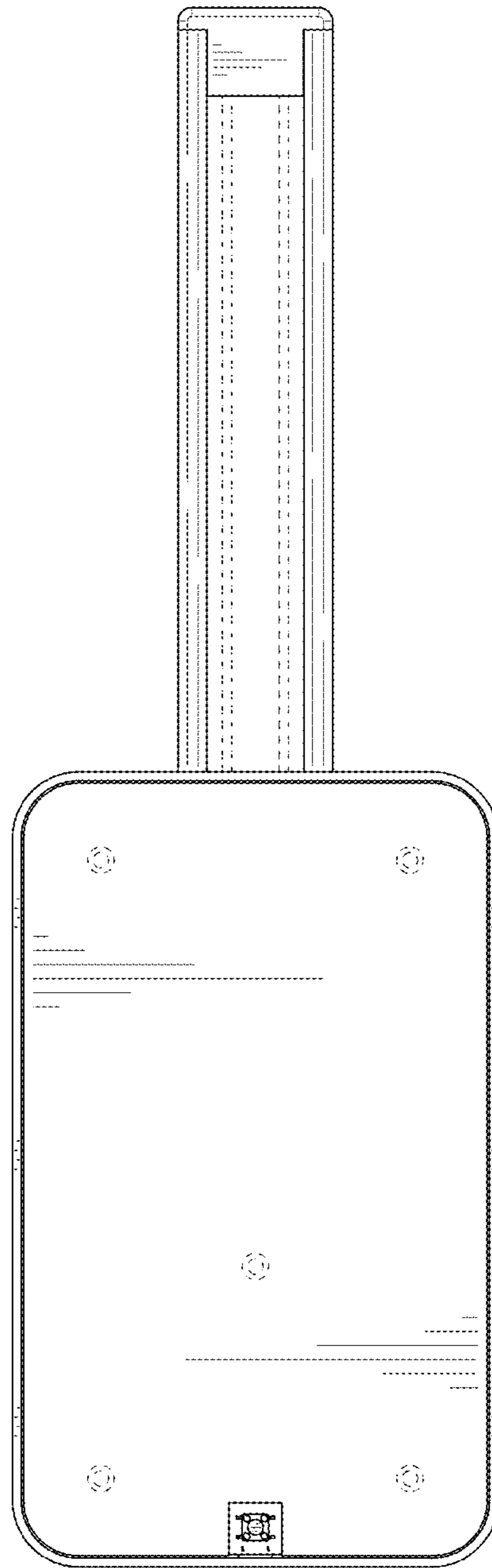


FIG. 8

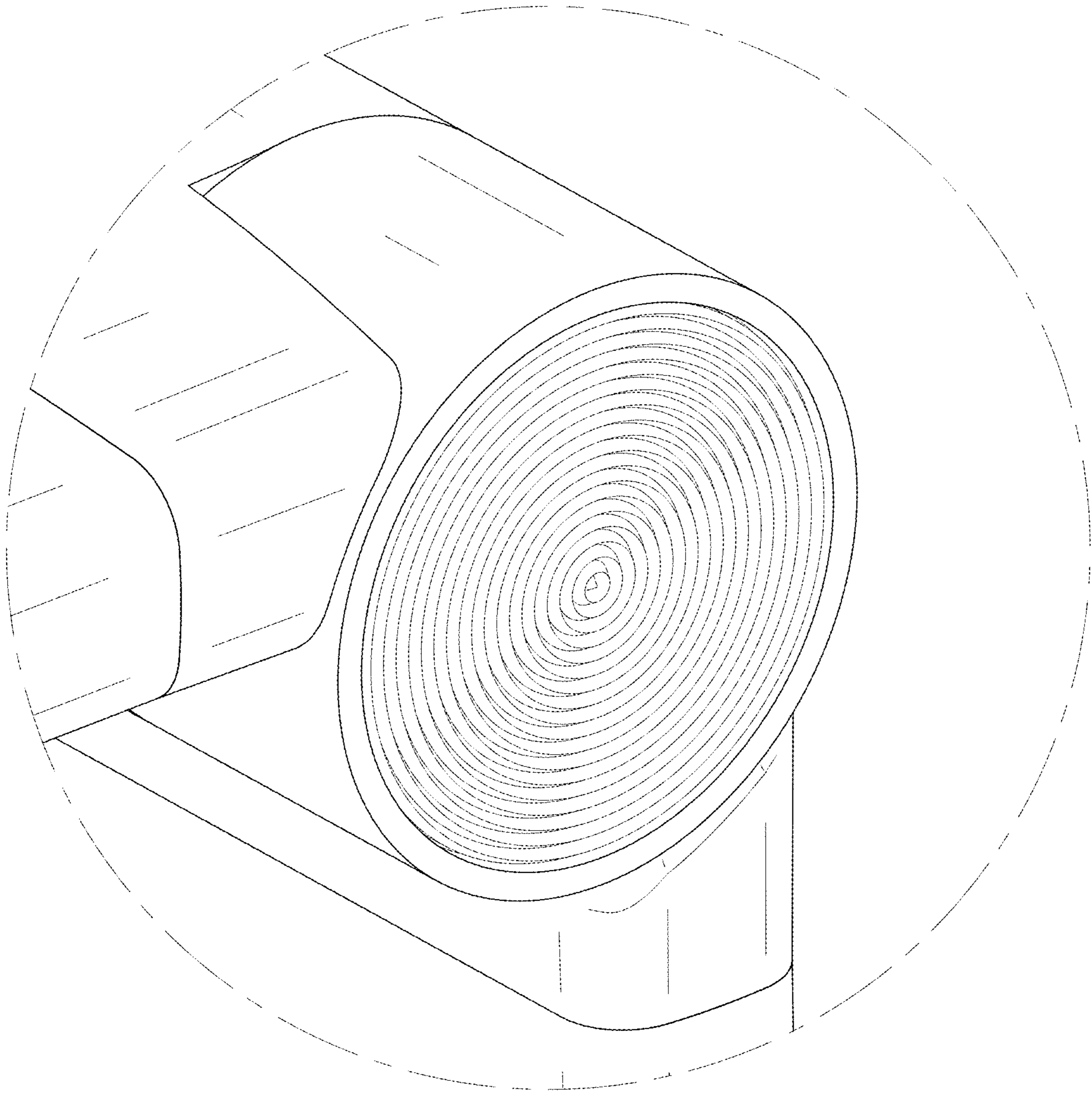


FIG. 9

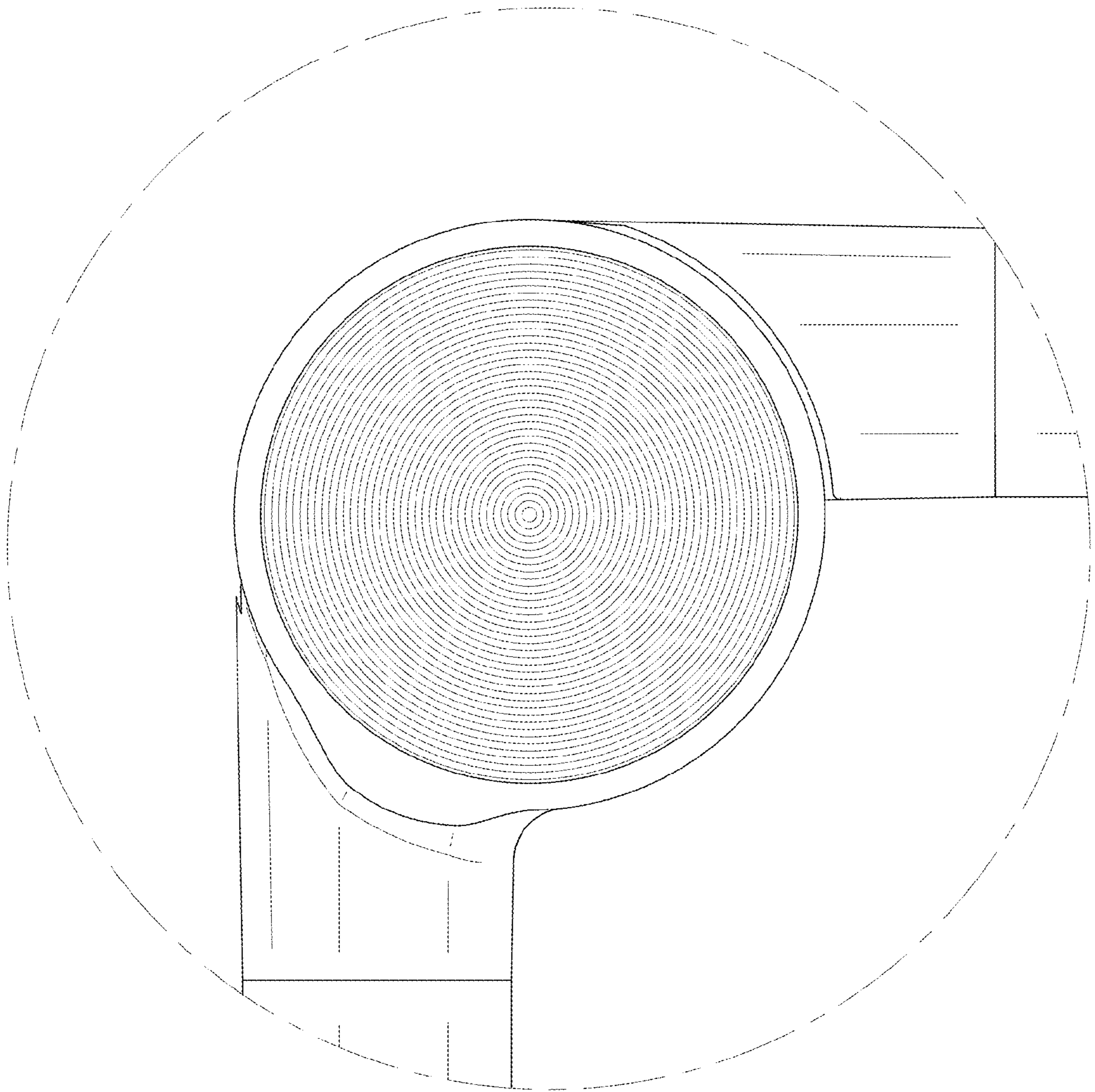


FIG. 10