



US00D935681S

(12) **United States Design Patent**
Gong

(10) **Patent No.:** **US D935,681 S**

(45) **Date of Patent:** **** Nov. 9, 2021**

(54) **LAMP**

D864,457 S 10/2019 Tang
D885,635 S * 5/2020 Cao D26/81
D903,926 S * 12/2020 Gong D26/81

(71) Applicant: **Yelin Gong**, Fuzhou (CN)

* cited by examiner

(72) Inventor: **Yelin Gong**, Fuzhou (CN)

Primary Examiner — Charles D Hanson

(**) Term: **15 Years**

(74) *Attorney, Agent, or Firm* — Law Offices of Steven W. Weinrieb

(21) Appl. No.: **29/740,569**

(57) **CLAIM**

(22) Filed: **Jul. 6, 2020**

The ornamental design for a lamp, as shown and described.

(51) **LOC (13) Cl.** **26-03**

DESCRIPTION

(52) **U.S. Cl.**

USPC **D26/81**; D26/25

(58) **Field of Classification Search**

USPC D26/80, 81
CPC F21S 8/00; F21S 13/00; F21V 19/00
See application file for complete search history.

(56) **References Cited**

U.S. PATENT DOCUMENTS

- D100,939 S * 8/1936 D'Aschbach D11/121
- D215,478 S * 10/1969 Myers D26/27
- D647,661 S * 10/2011 Steenhoudt D26/84
- D663,884 S 7/2012 Baylar
- D669,623 S 10/2012 Alverson et al.
- D719,697 S 12/2014 Wanders
- D861,957 S 10/2019 Liu

FIG. 1 is a front, right side, top perspective view of a lamp showing my new design;
FIG. 2 is a front elevational view thereof;
FIG. 3 is a rear elevational view thereof;
FIG. 4 is a left side elevational view thereof;
FIG. 5 is a right side elevational view thereof;
FIG. 6 is a top plan view thereof;
FIG. 7 is a bottom plan view thereof; and,
FIG. 8 is an enlarged view showing the details of a portion of the lamp as shown within the encircled region 8 of FIG. 1.

The broken lines depict portions of the lamp that form no part of the claimed design.

1 Claim, 8 Drawing Sheets

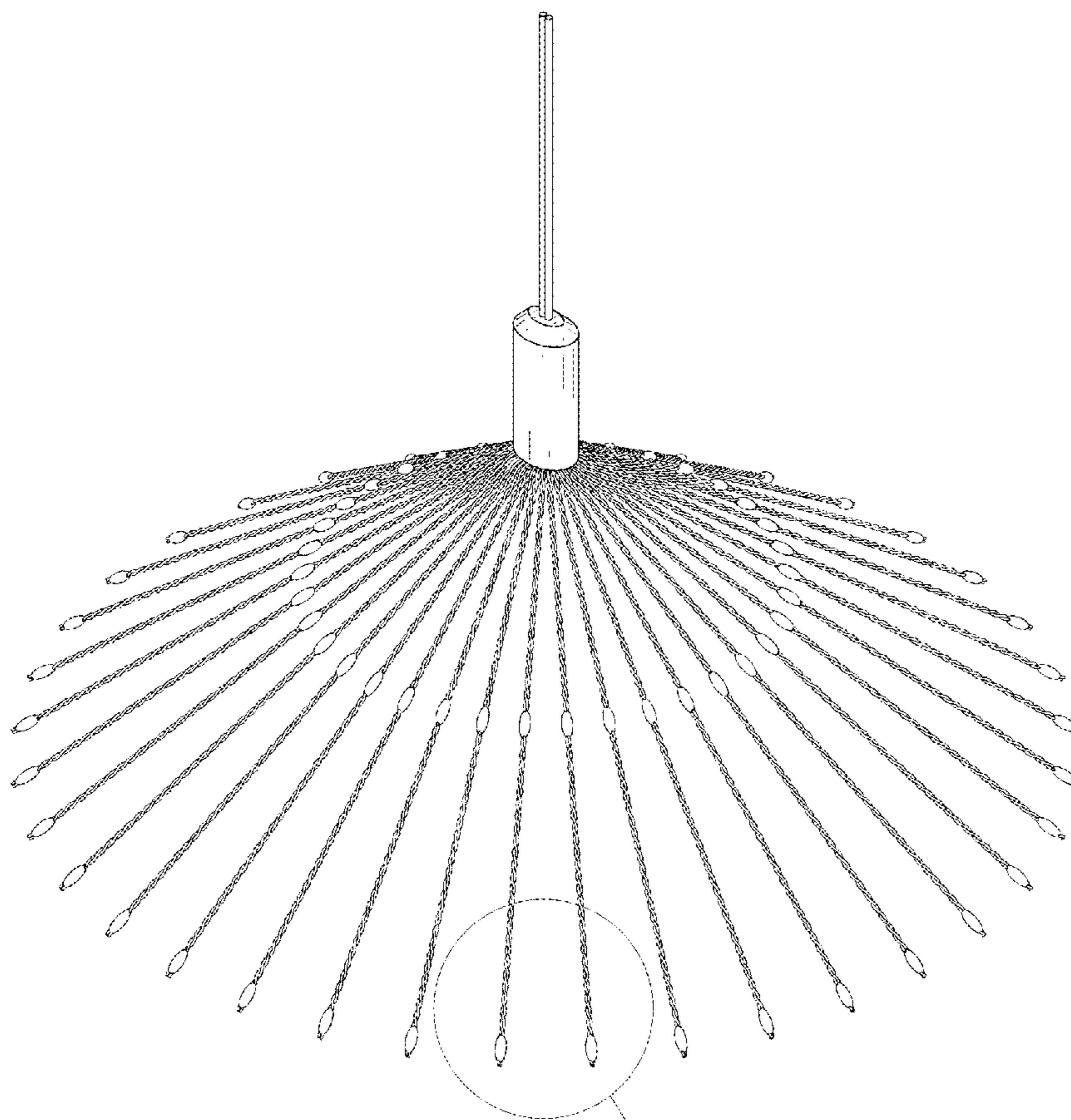


FIG. 8

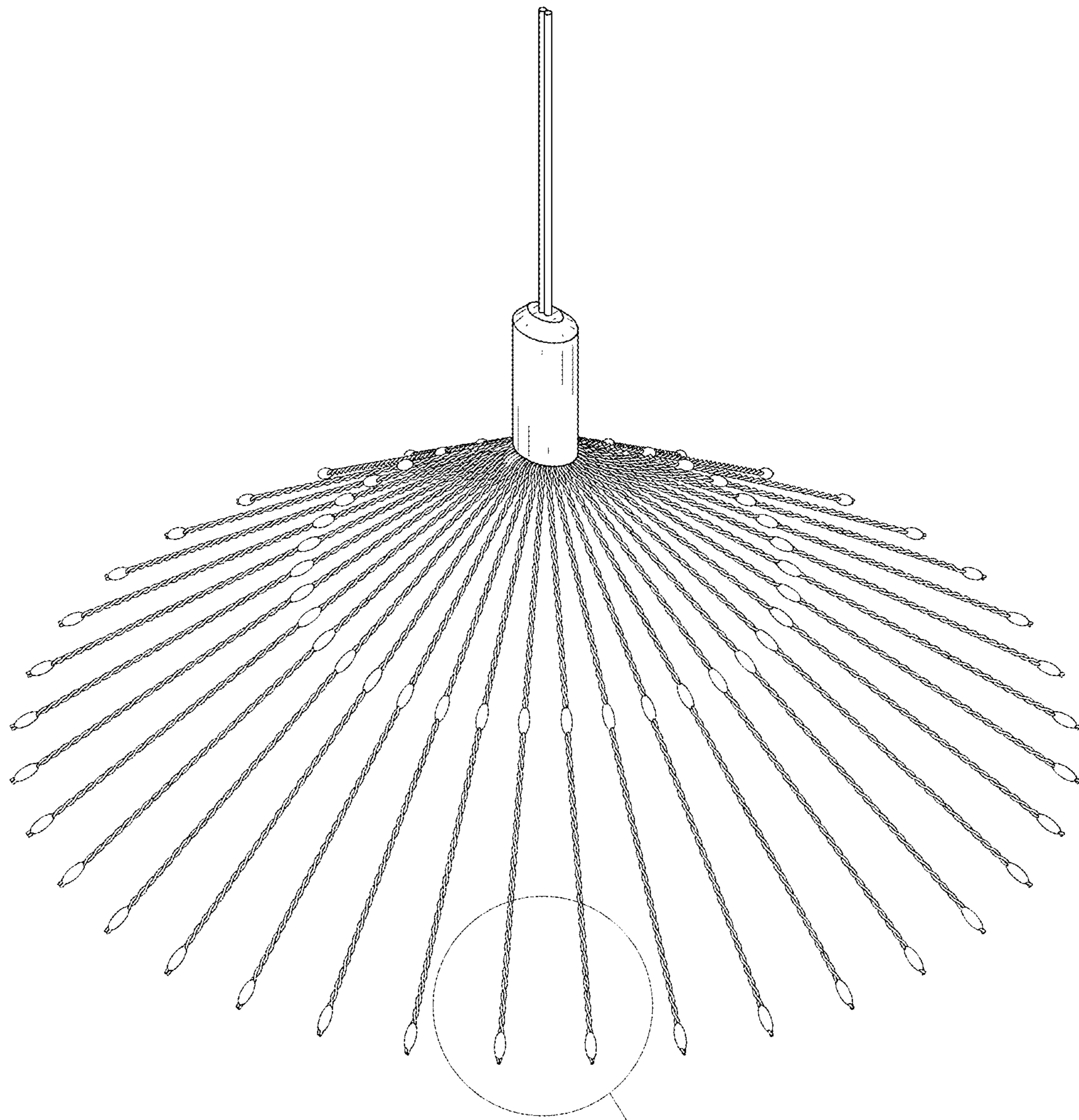


FIG. 8

FIG. 1

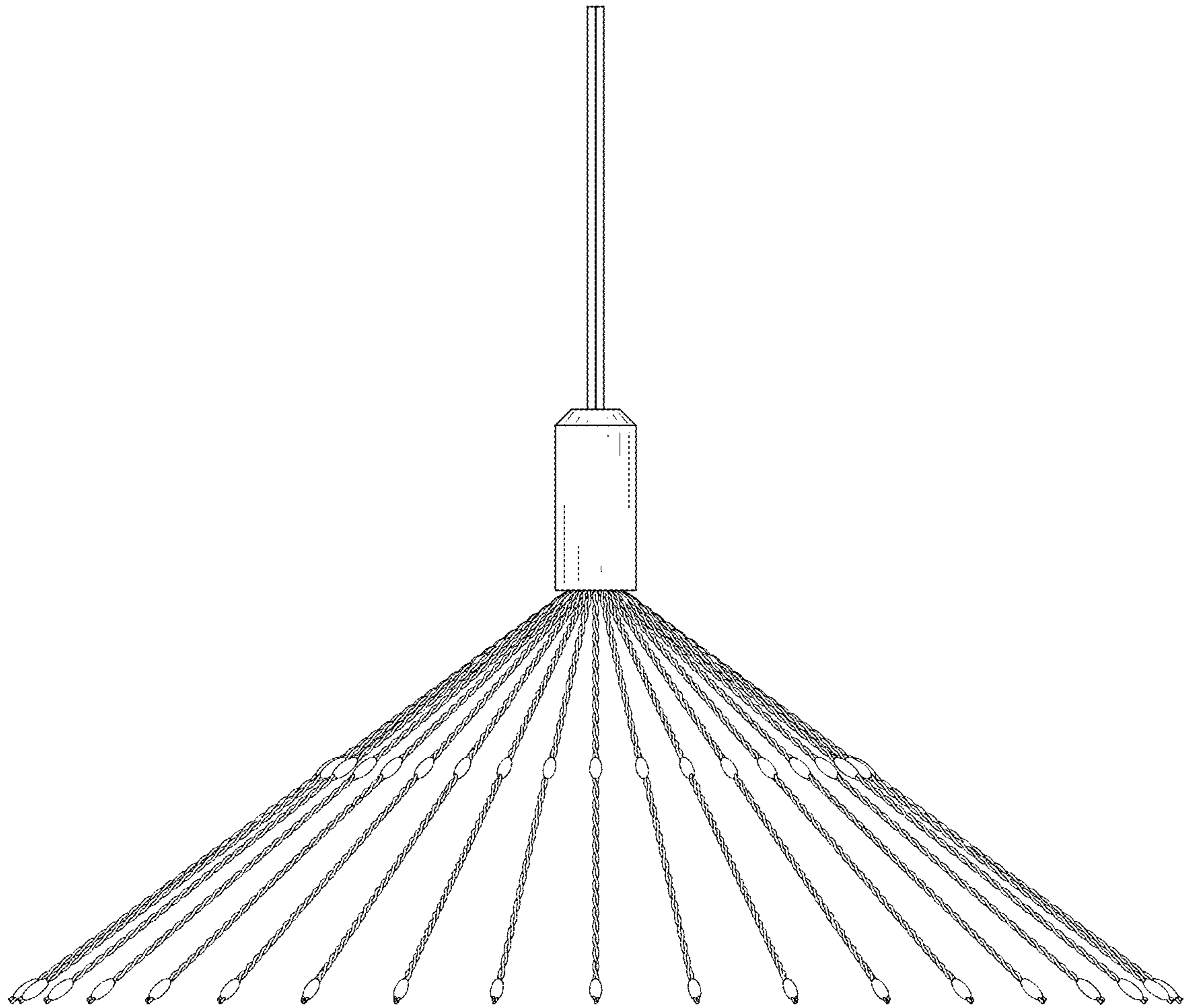


FIG. 2

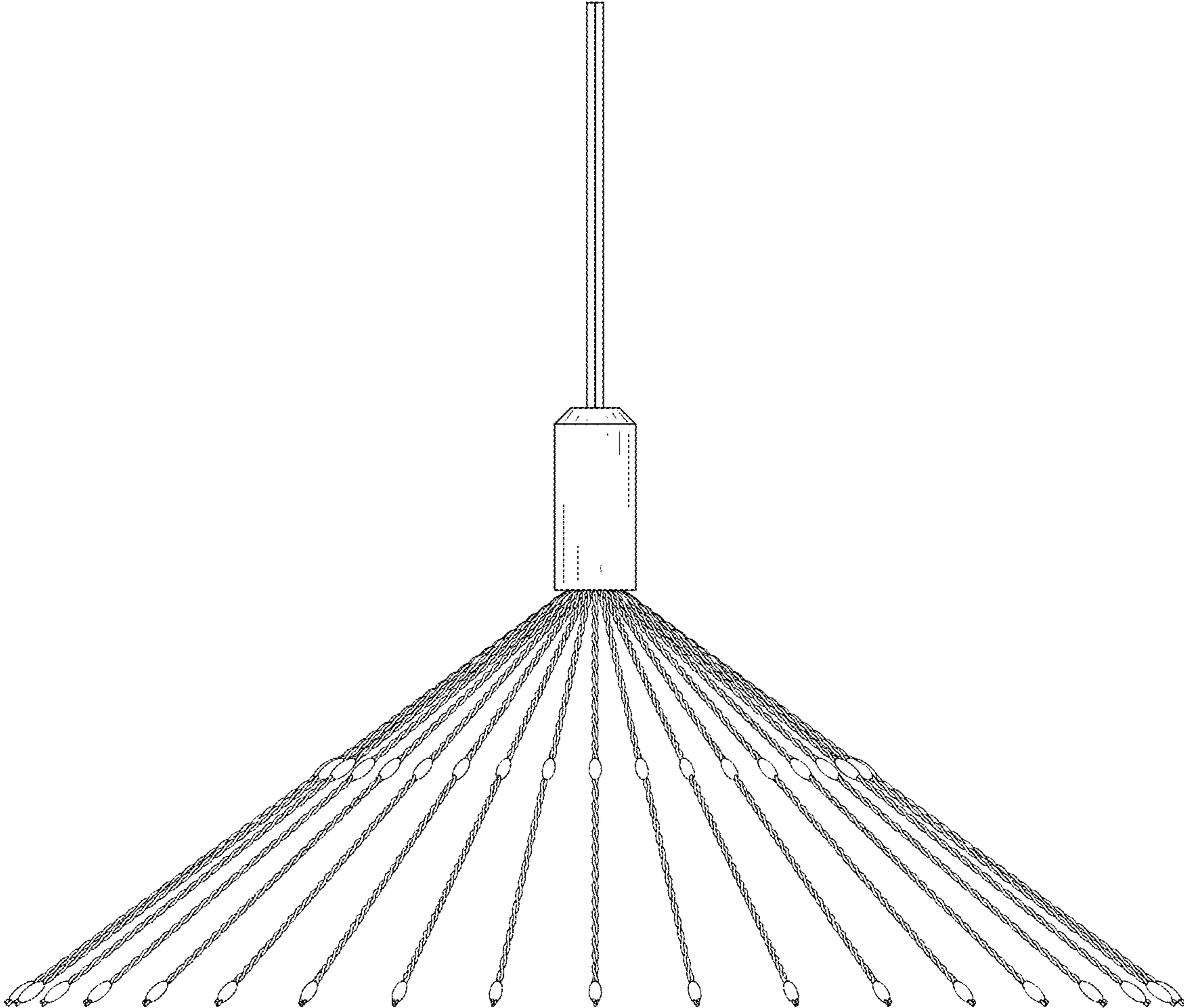


FIG. 3

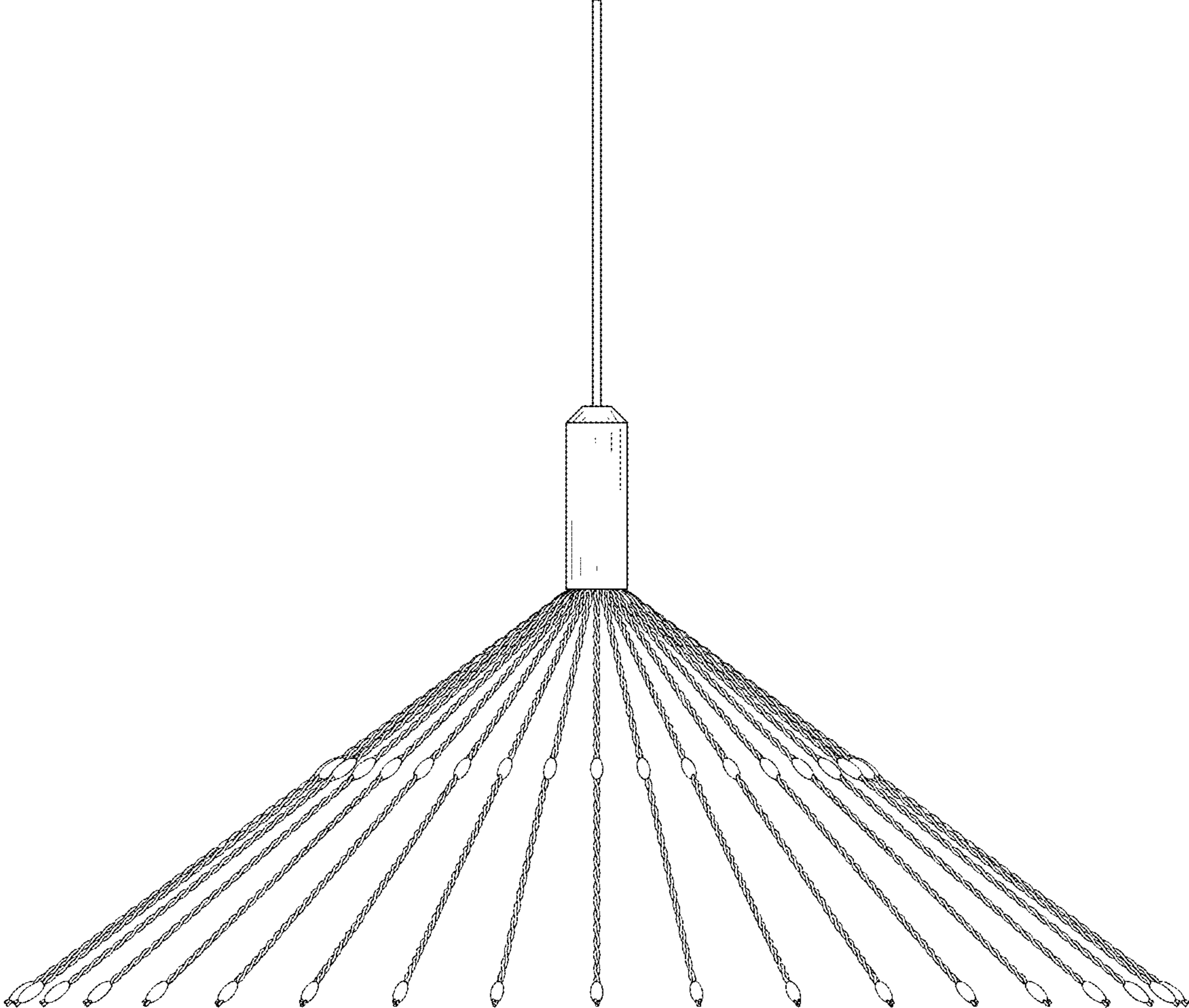


FIG. 4

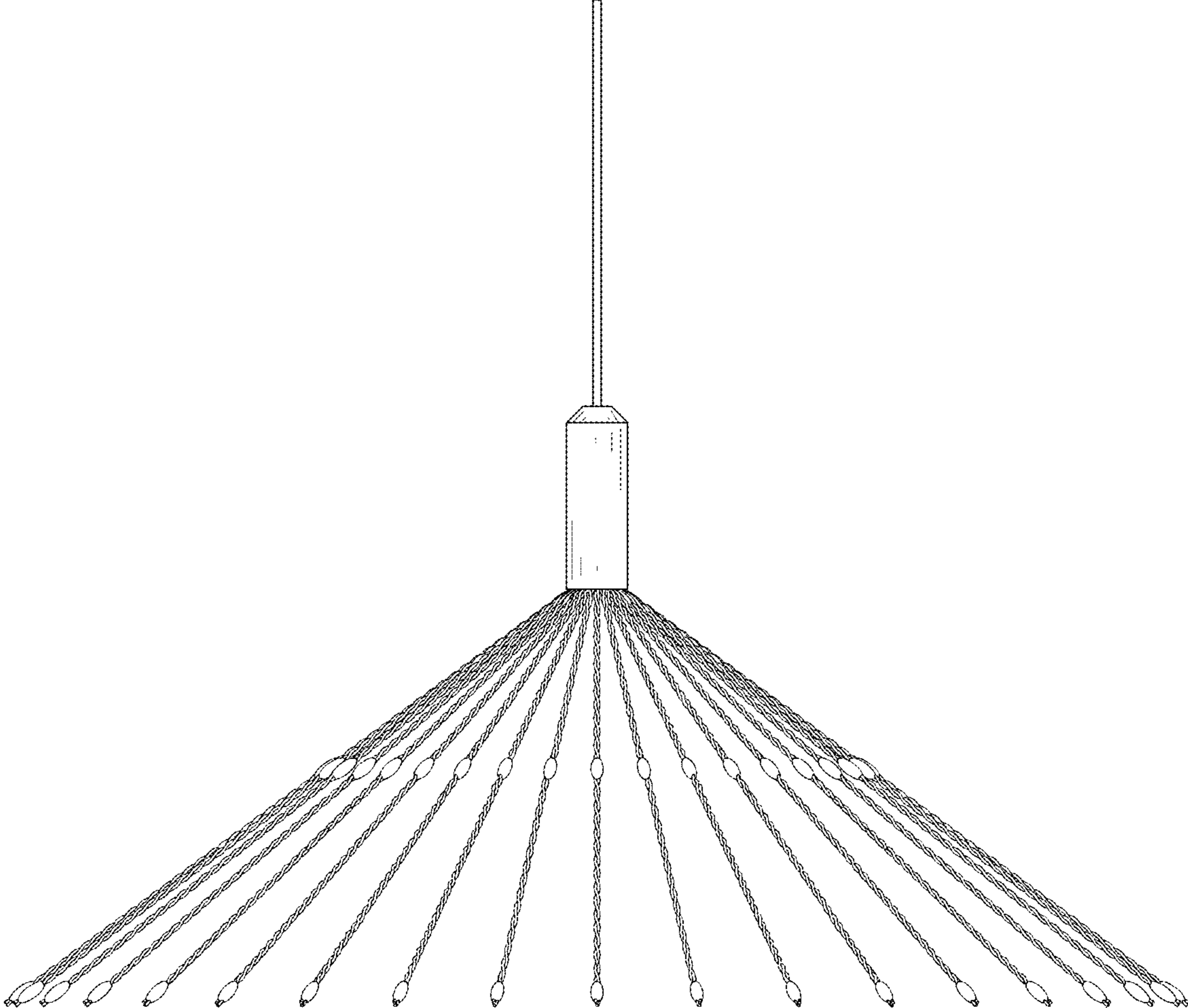


FIG. 5

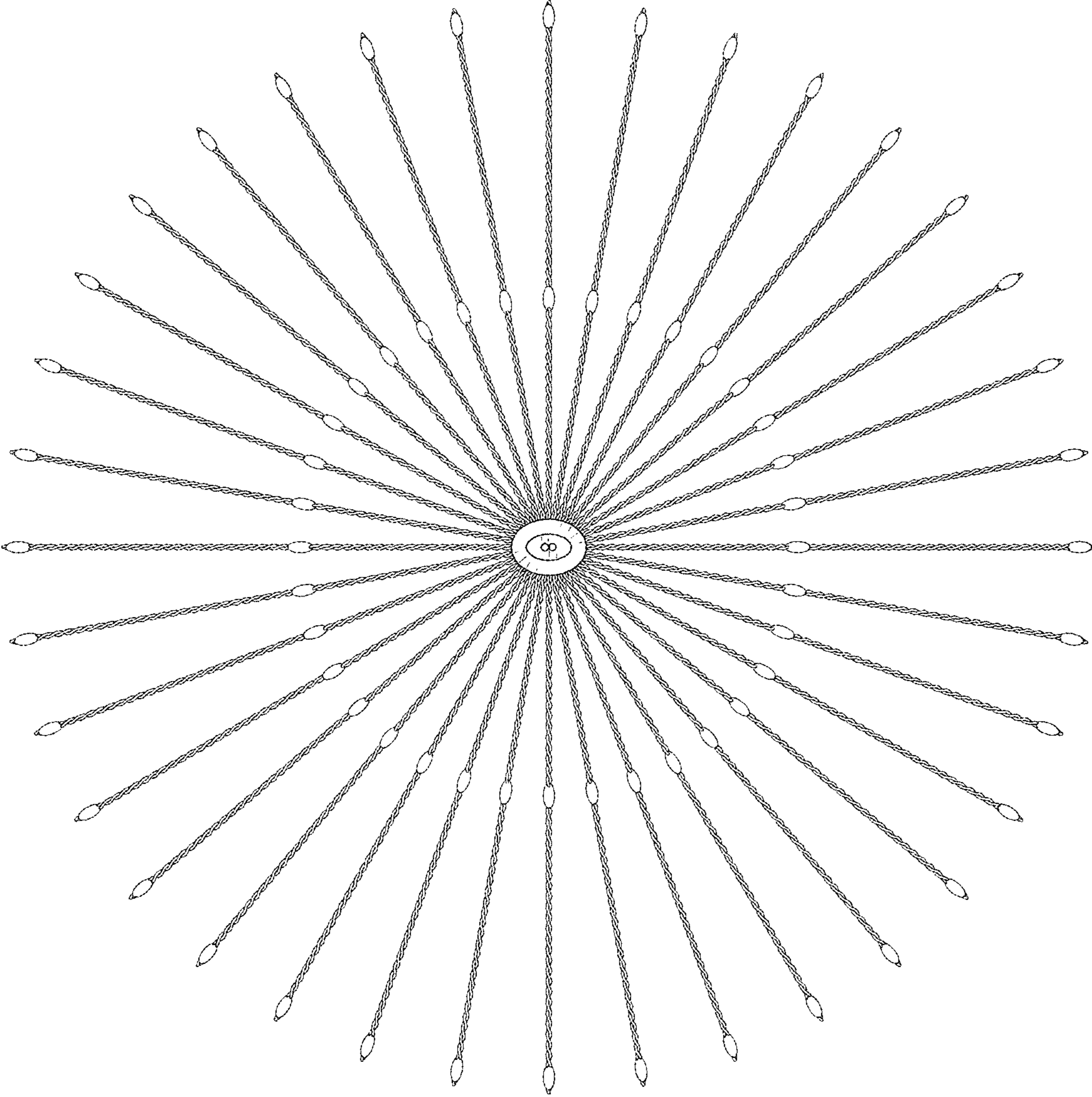


FIG. 6

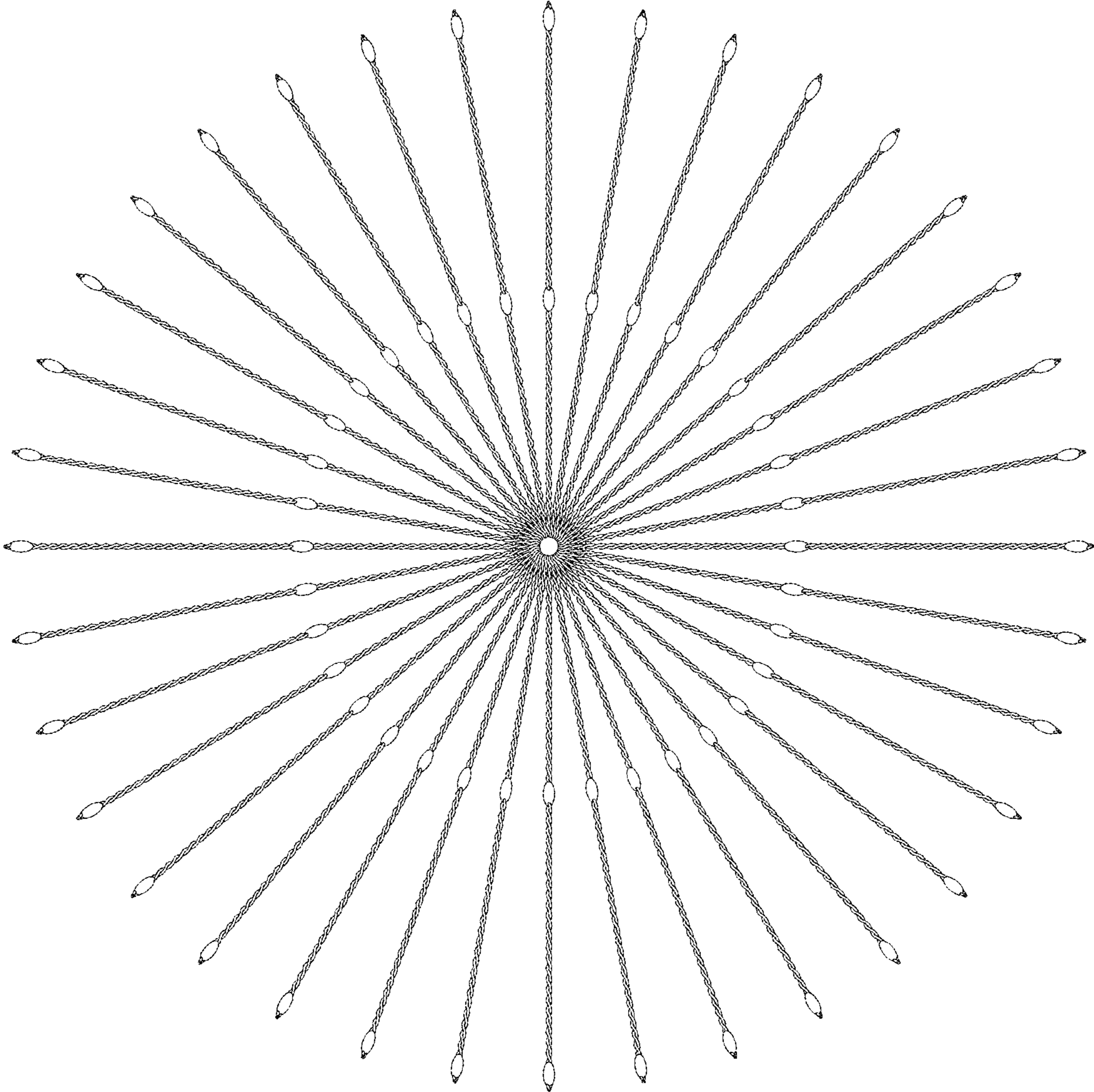


FIG. 7



FIG. 8