



US00D935678S

(12) **United States Design Patent** (10) **Patent No.:** **US D935,678 S**
Park et al. (45) **Date of Patent:** **** Nov. 9, 2021**

(54) **LIGHTING FIXTURE**

(71) Applicant: **SIGNIFY HOLDING B.V.**, Eindhoven (NL)

(72) Inventors: **John Sungmin Park**, Medford, MA (US); **Jonathan Stuart Levy**, Watertown, MA (US); **Kwong Hung Man**, Vancouver (CA); **Ryan Robert James Gates**, Langley (CA); **Christopher Cameron McDonald**, Burnaby (CA); **Shao Fang Shannon Chang**, North Vancouver (CA)

(73) Assignee: **SIGNIFY HOLDING B.V.**, Eindhoven (NL)

(**) Term: **15 Years**

(21) Appl. No.: **29/721,096**

(22) Filed: **Jan. 17, 2020**

(30) **Foreign Application Priority Data**

Jul. 17, 2019 (EM) 006633632-0002

(51) **LOC (13) Cl.** **26-04**

(52) **U.S. Cl.**

USPC **D26/76**

(58) **Field of Classification Search**

USPC D26/142, 152, 113, 118, 119, 154, 61, D26/62, 65, 75, 76, 16, 1, 2, 3, 120, 138, D26/128, 144, 121, 122, 64, 153, 155, D26/140

CPC F21Y 2101/02; F21Y 2103/003; F21Y 2103/00; F21K 9/17; F21S 4/008

See application file for complete search history.

(56) **References Cited**

U.S. PATENT DOCUMENTS

D464,457 S * 10/2002 Echito D26/76
D649,695 S * 11/2011 Beausoleil D26/142

D701,342 S * 3/2014 Novak D26/75
D730,568 S * 5/2015 Mahowald D26/118
D809,704 S * 2/2018 Klus D26/142
D850,707 S * 6/2019 Tremaine D26/138
D862,778 S * 10/2019 Antony D26/118
D869,073 S * 12/2019 Trzcielinski D26/138
D872,931 S * 1/2020 Tremaine D26/138
D890,983 S * 7/2020 Roys D26/142
D891,688 S * 7/2020 Tremaine D26/138
D906,581 S * 12/2020 Trzcieli ski D26/138
D916,359 S * 4/2021 Roys D26/138
D921,269 S * 6/2021 Mier-Langner D26/76
11,022,282 B2 * 6/2021 Roys F21V 19/004

* cited by examiner

Primary Examiner — Mark A Goodwin

Assistant Examiner — Benjamin M Weeks

(74) *Attorney, Agent, or Firm* — Daniel J. Piotrowski

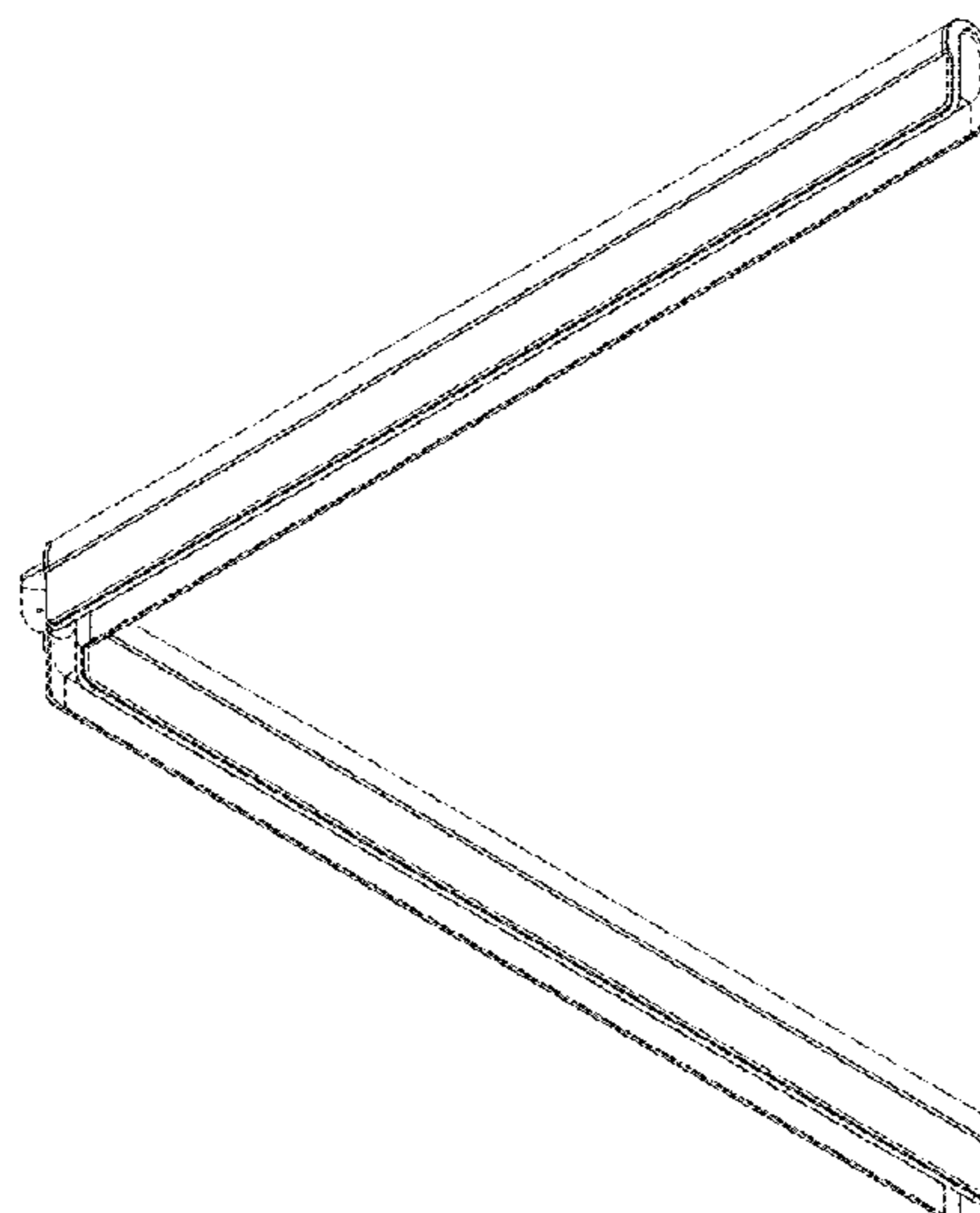
(57) **CLAIM**

The ornamental design for a “lighting fixture,” as shown and described.

DESCRIPTION

FIG. 1 is a perspective view showing my design;
FIG. 2 is a second perspective view thereof;
FIG. 3 is a rear elevational view thereof;
FIG. 4 is a front elevational view thereof;
FIG. 5 is a left side elevational view thereof;
FIG. 6 is a bottom plan view thereof;
FIG. 7 is a top plan view thereof;
FIG. 8 is a right side elevational view thereof;
FIG. 9 is a third perspective view thereof; and,
FIG. 10 is a fourth perspective view thereof.
The Luminaire of the present invention may be coupled with one or more power cables or brackets which are depicted in broken lines and form no part of the design.

1 Claim, 10 Drawing Sheets



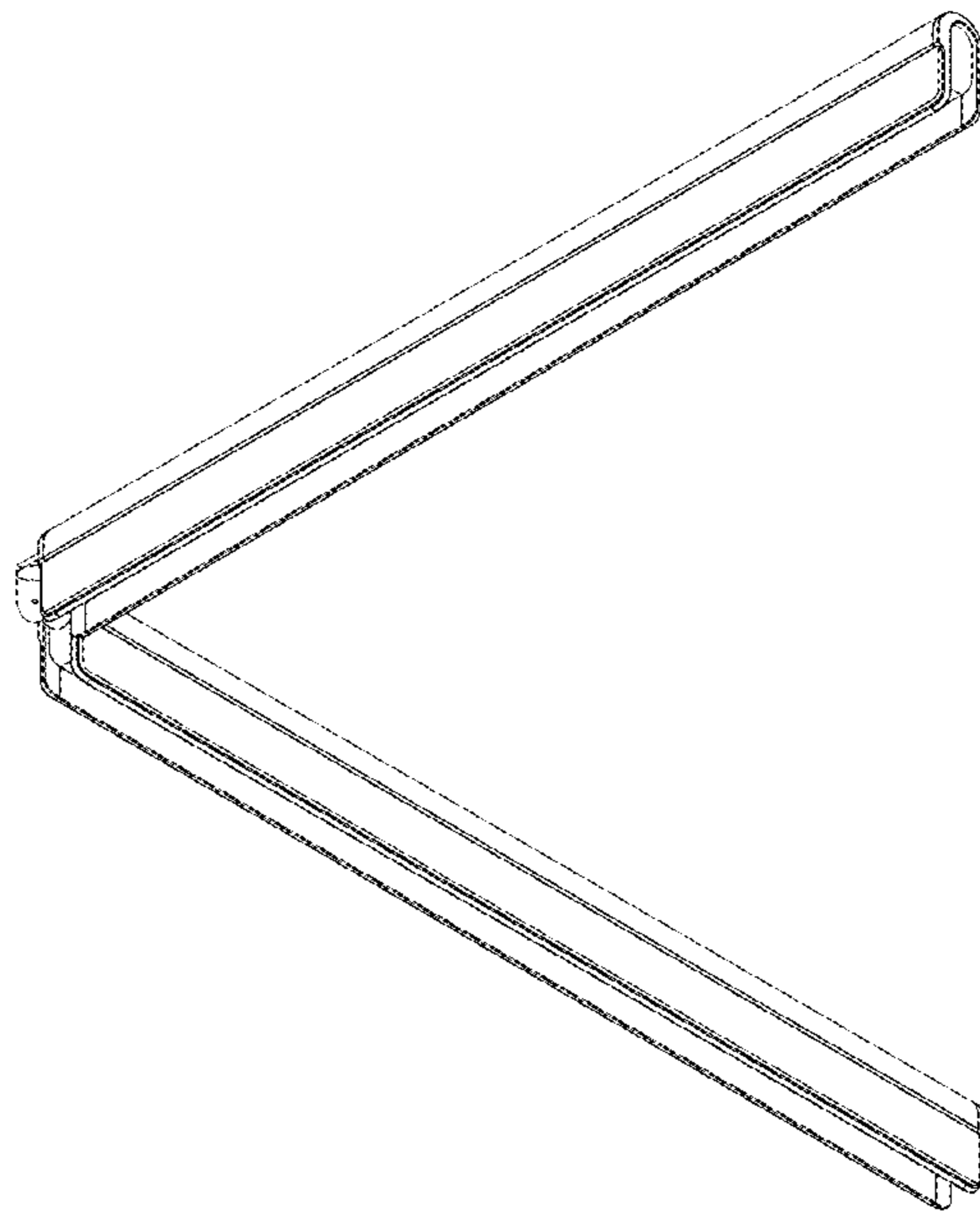


FIG. 1

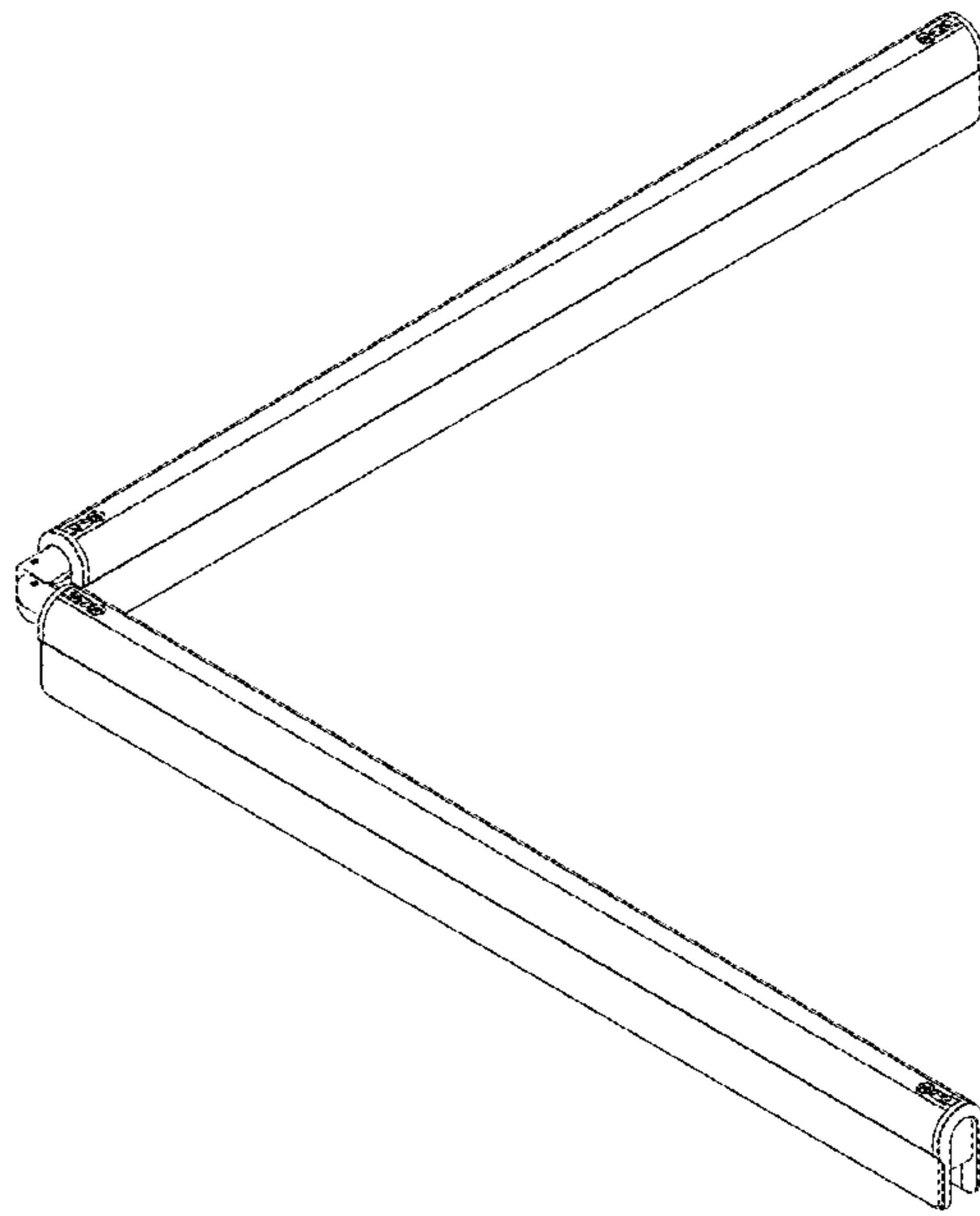


FIG. 2

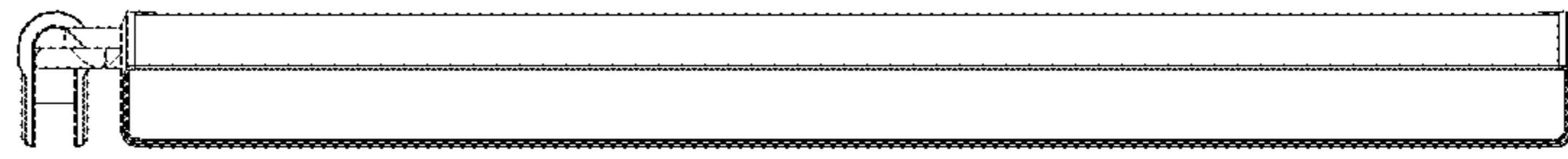


FIG. 3

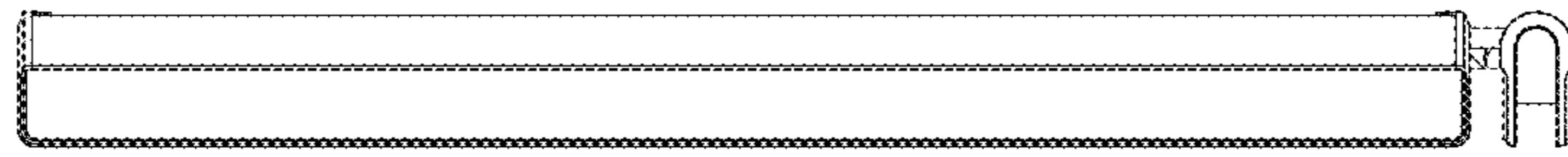


FIG. 4

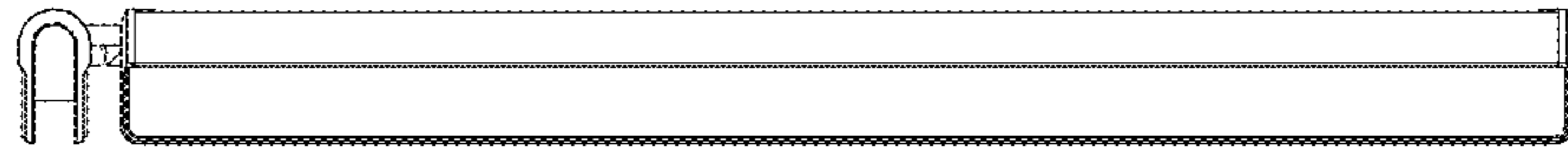


FIG. 5

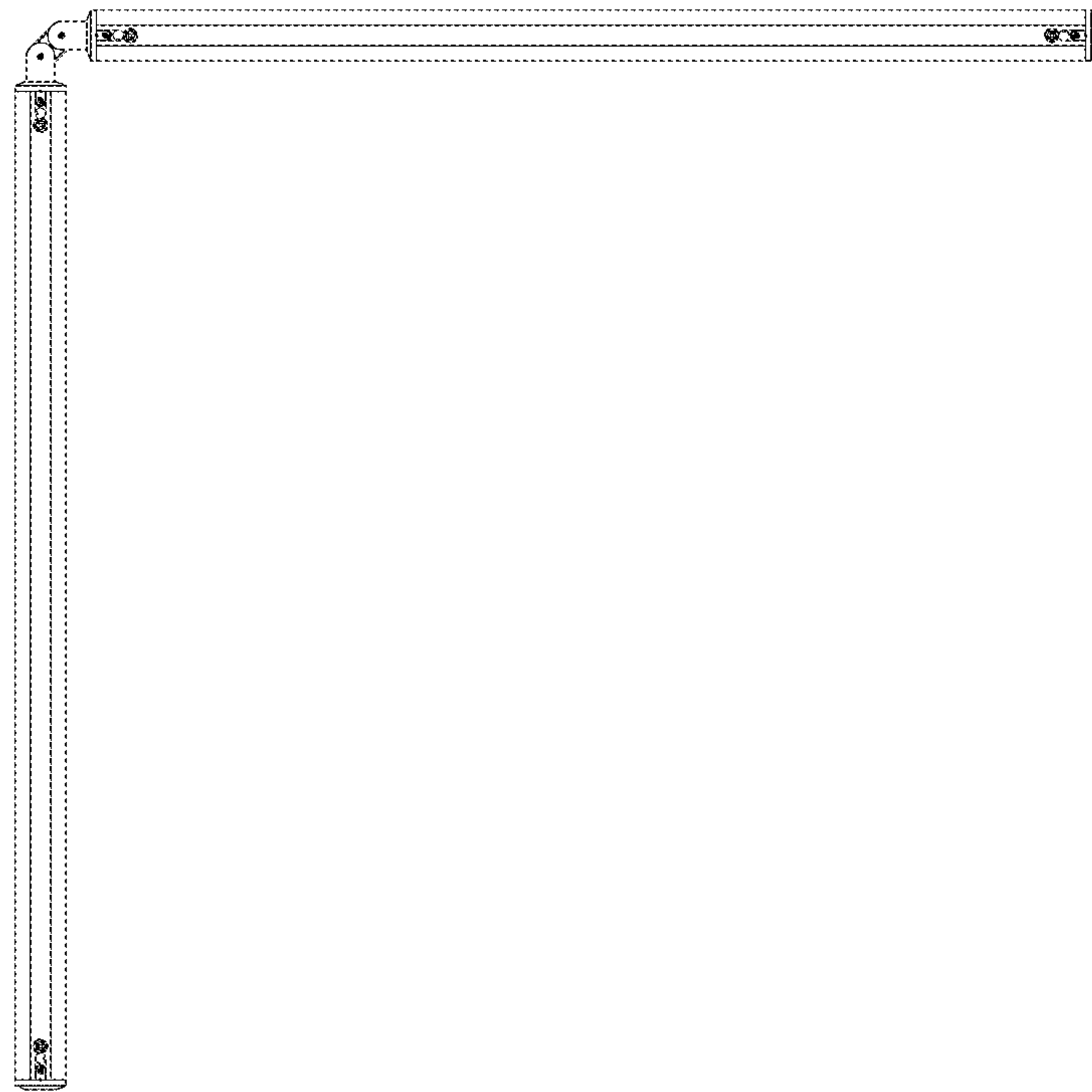


FIG. 6

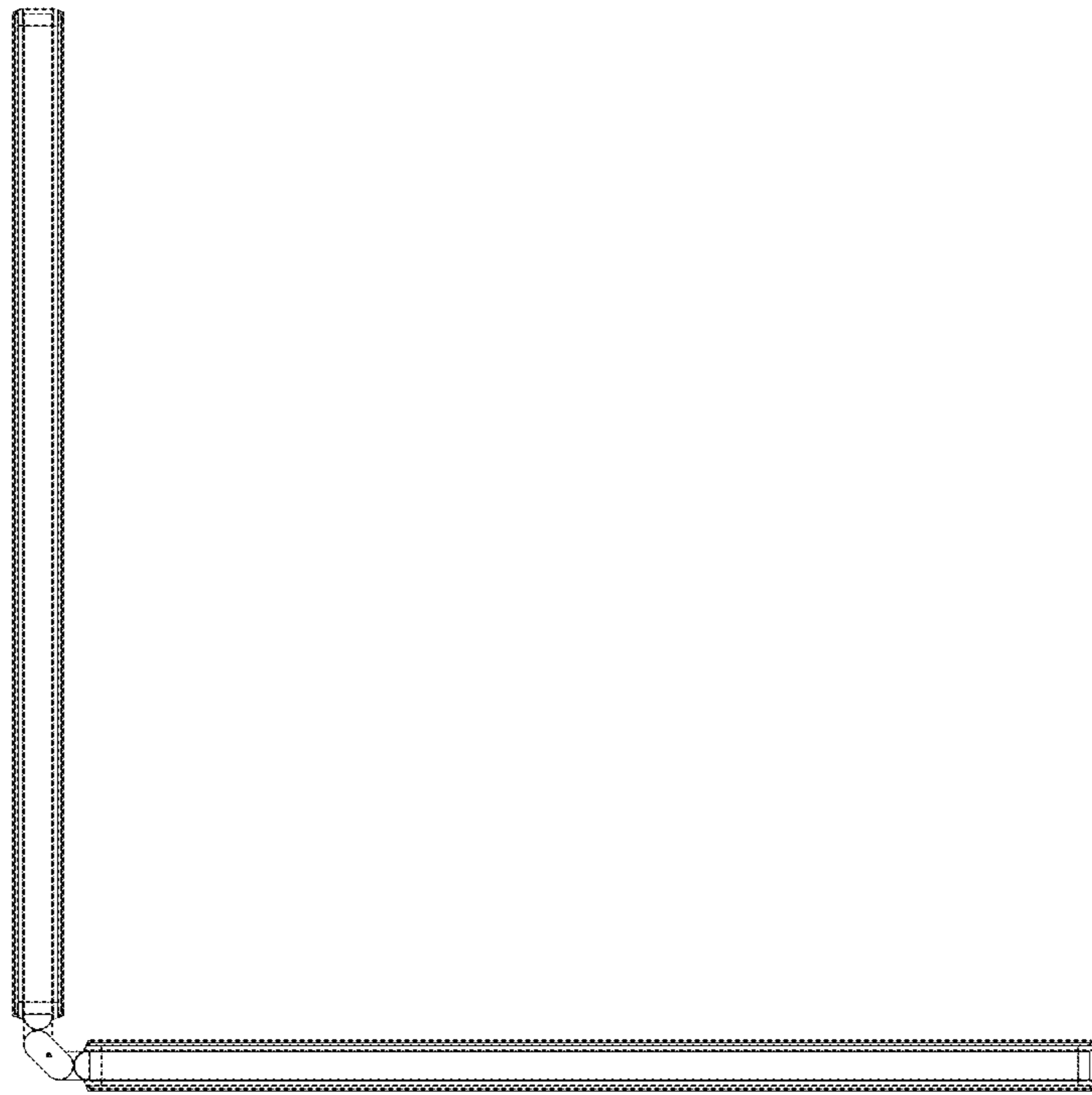


FIG. 7

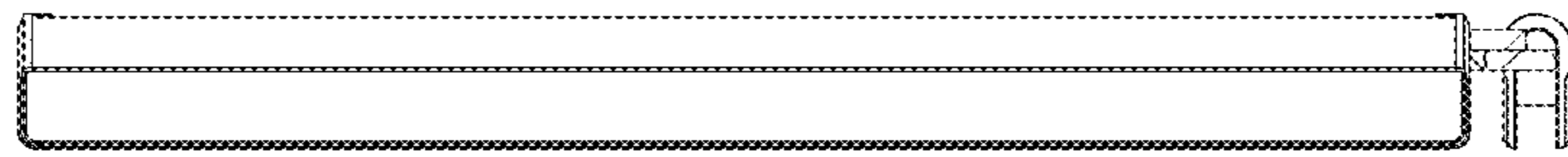


FIG. 8

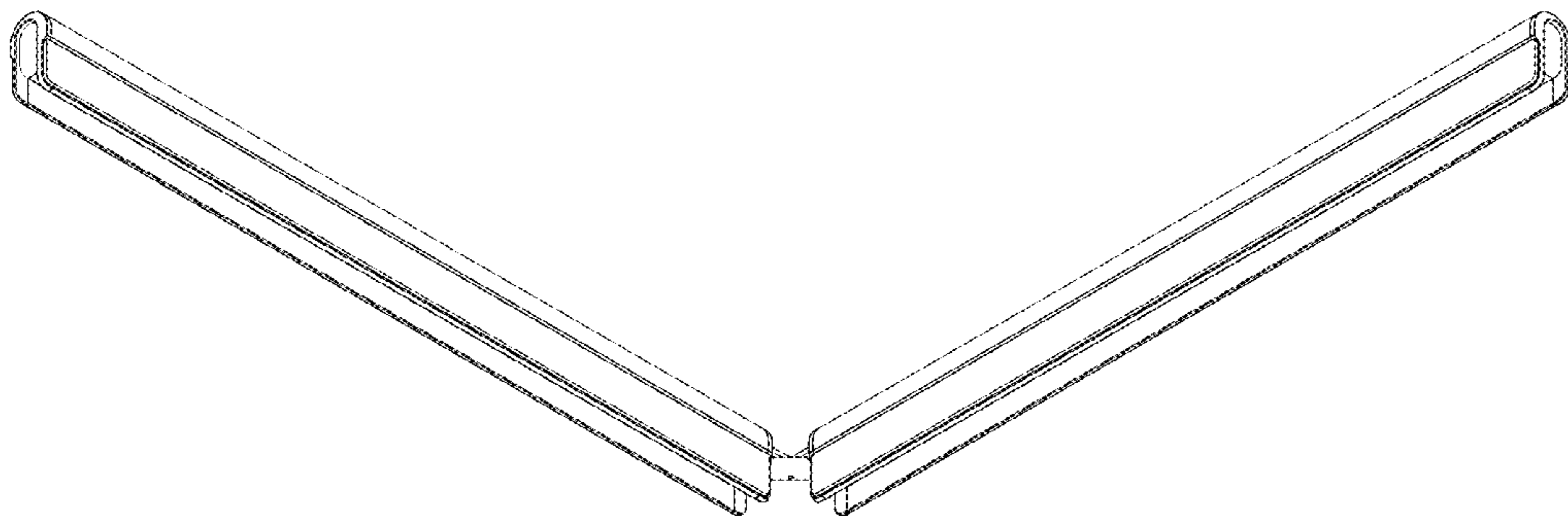


FIG. 9

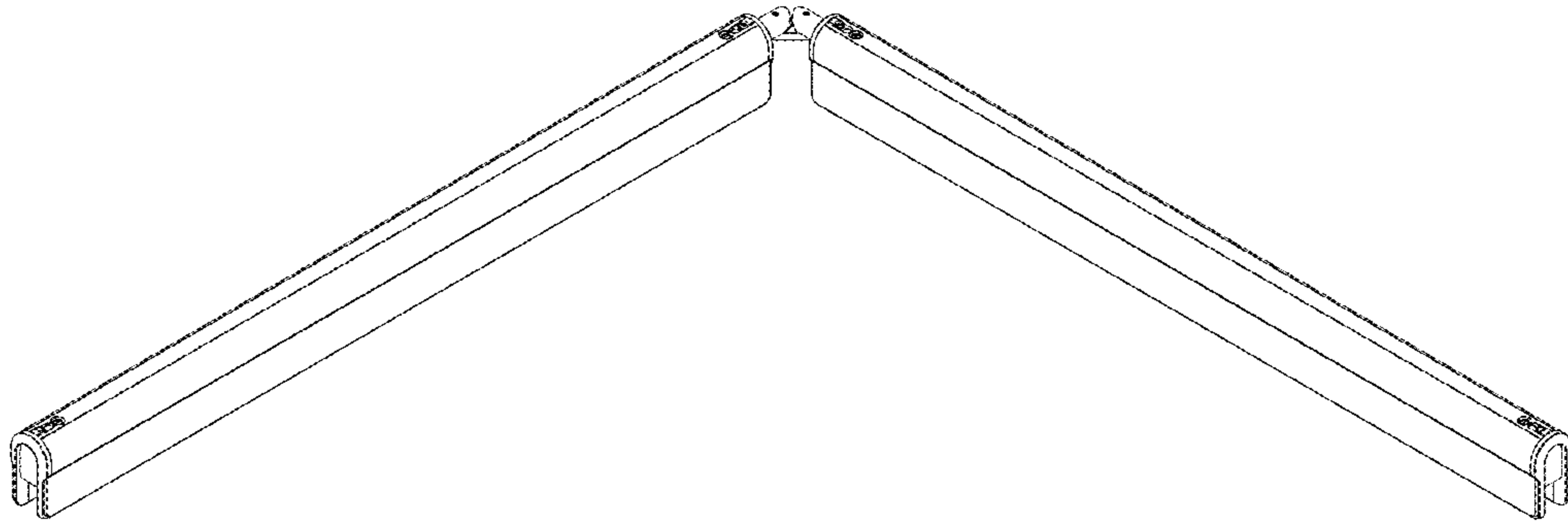


FIG. 10