



US00D935674S

(12) **United States Design Patent**  
**Wu**

(10) **Patent No.:** **US D935,674 S**

(45) **Date of Patent:** **\*\* Nov. 9, 2021**

(54) **SOLAR LIGHT**

(71) Applicant: **Cheng Zhao Li**, NY, NY (US)

(72) Inventor: **Xiaoling Wu**, Ninghai (CN)

(\*\*) Term: **15 Years**

(21) Appl. No.: **29/761,210**

(22) Filed: **Dec. 8, 2020**

(51) **LOC (13) Cl.** ..... **26-03**

(52) **U.S. Cl.**  
USPC ..... **D26/63**

(58) **Field of Classification Search**

USPC ..... D26/61, 63, 64, 118, 120  
CPC ..... F21V 17/02; F21V 21/08; F21V 21/26;  
F21V 21/06; F21V 21/00; F21W 2131/30;  
F21W 2131/10; F21S 8/04; F21S 6/003;  
F21S 8/003; F21S 8/00; F21F 6/00  
See application file for complete search history.

(56) **References Cited**

**U.S. PATENT DOCUMENTS**

D621,985 S 8/2010 Sanoner  
D735,927 S \* 8/2015 Lee ..... D26/120  
D764,700 S \* 8/2016 Chen ..... D26/118

D835,335 S \* 12/2018 Paredes ..... F21V 21/29  
D26/120  
10,145,548 B2 \* 12/2018 Chen ..... F21V 21/30  
D866,036 S \* 11/2019 Tan ..... D26/63  
D875,991 S 2/2020 Wan  
D897,588 S 9/2020 Liu  
D908,262 S \* 1/2021 Dai ..... D26/63

\* cited by examiner

*Primary Examiner* — Brian N. Vinson

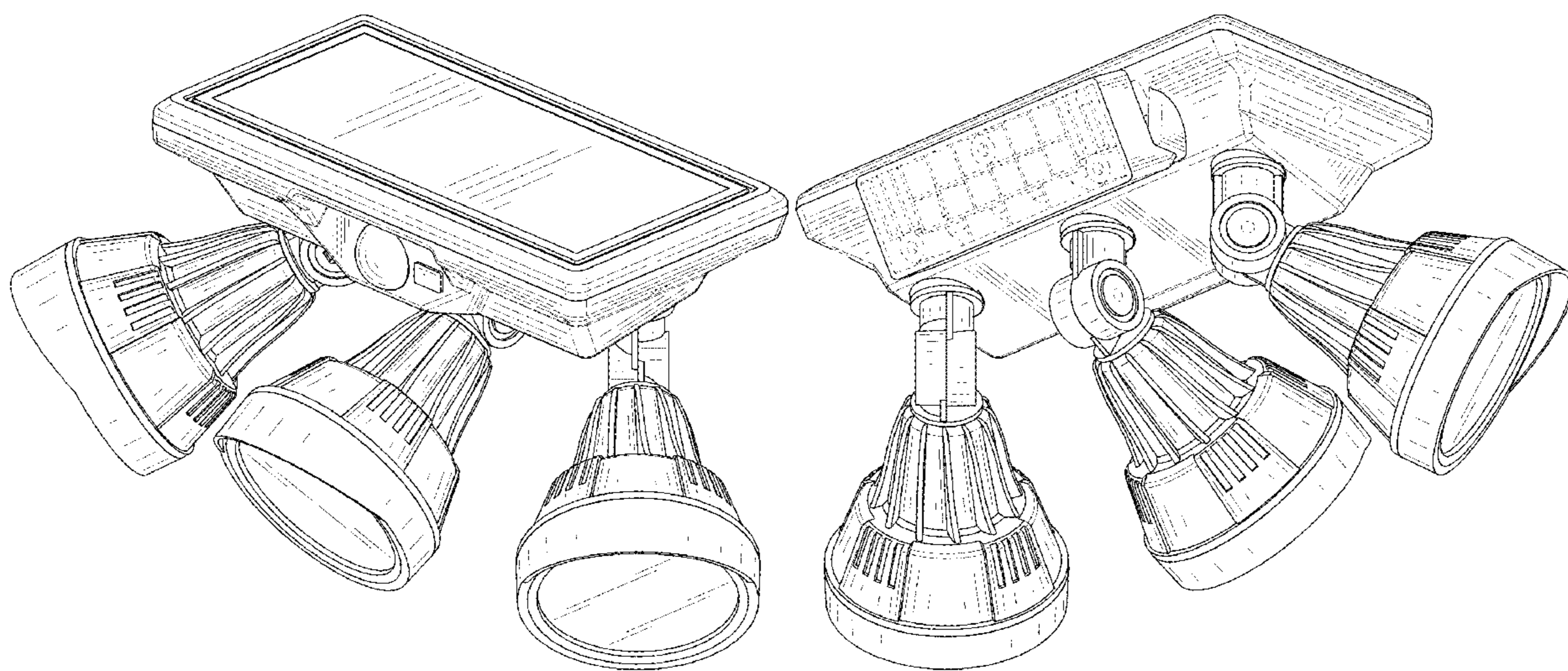
(57) **CLAIM**

The ornamental design for a solar light, as shown and described.

**DESCRIPTION**

FIG. 1 is a first perspective view of a solar light showing my new design;  
FIG. 2 is a second perspective view thereof;  
FIG. 3 is a front view thereof;  
FIG. 4 is a back view thereof;  
FIG. 5 is a left side view thereof;  
FIG. 6 is a right side view thereof;  
FIG. 7 is a top view thereof; and,  
FIG. 8 is a bottom view thereof.  
The broken lines shown in the drawings depict portions of the solar light in which the design is embodied that form no part of the claimed design.

**1 Claim, 8 Drawing Sheets**



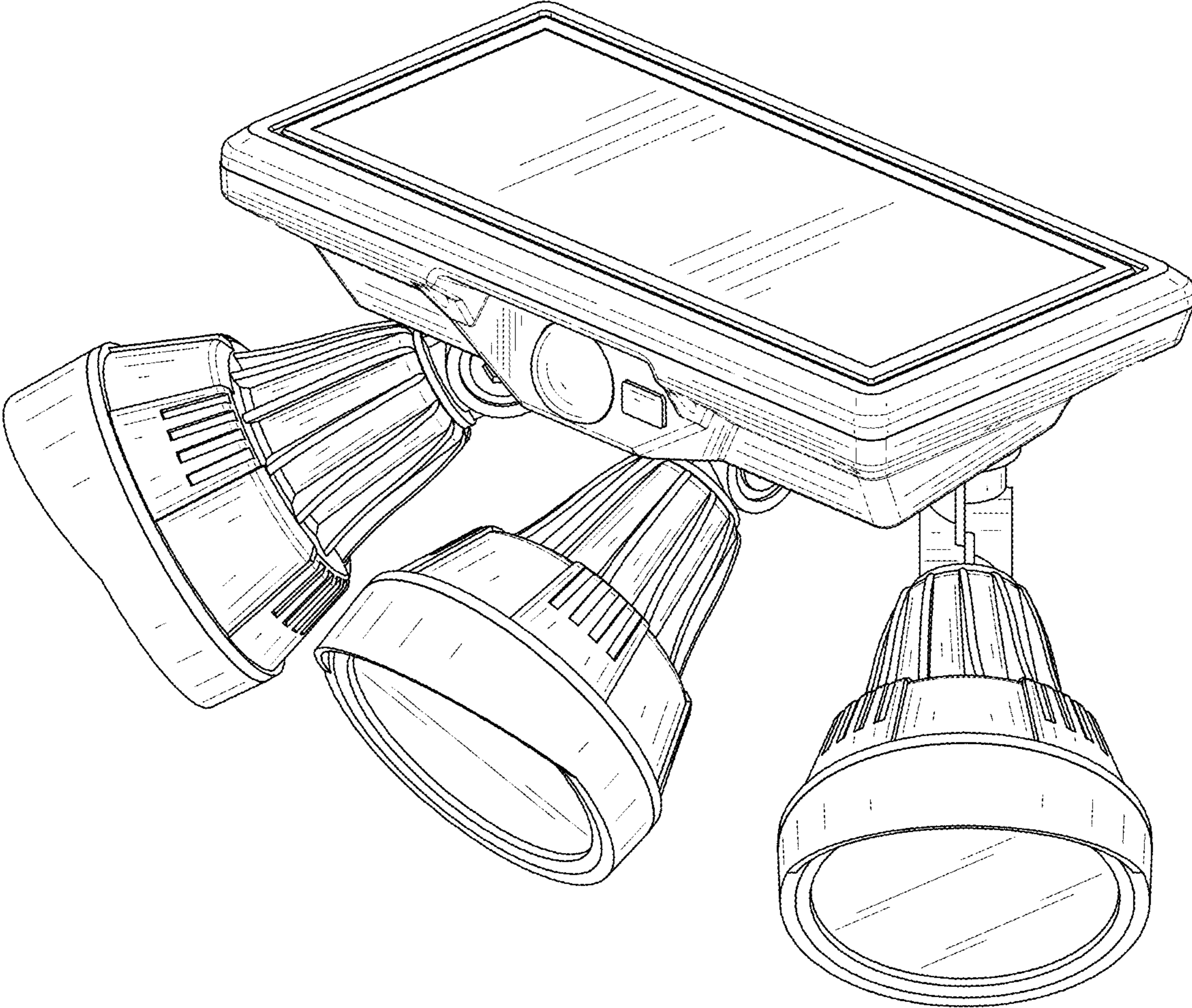


FIG. 1



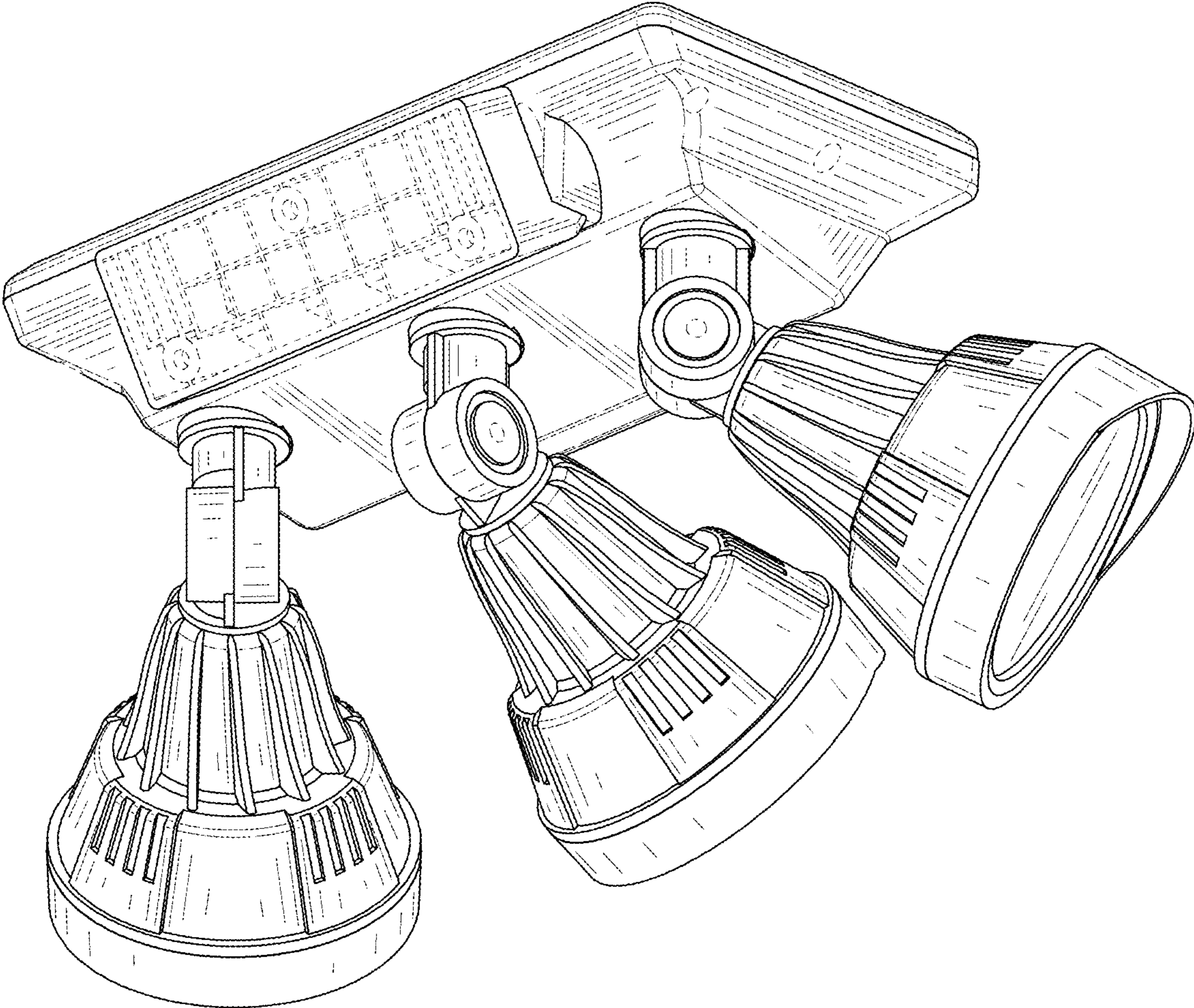


FIG. 2

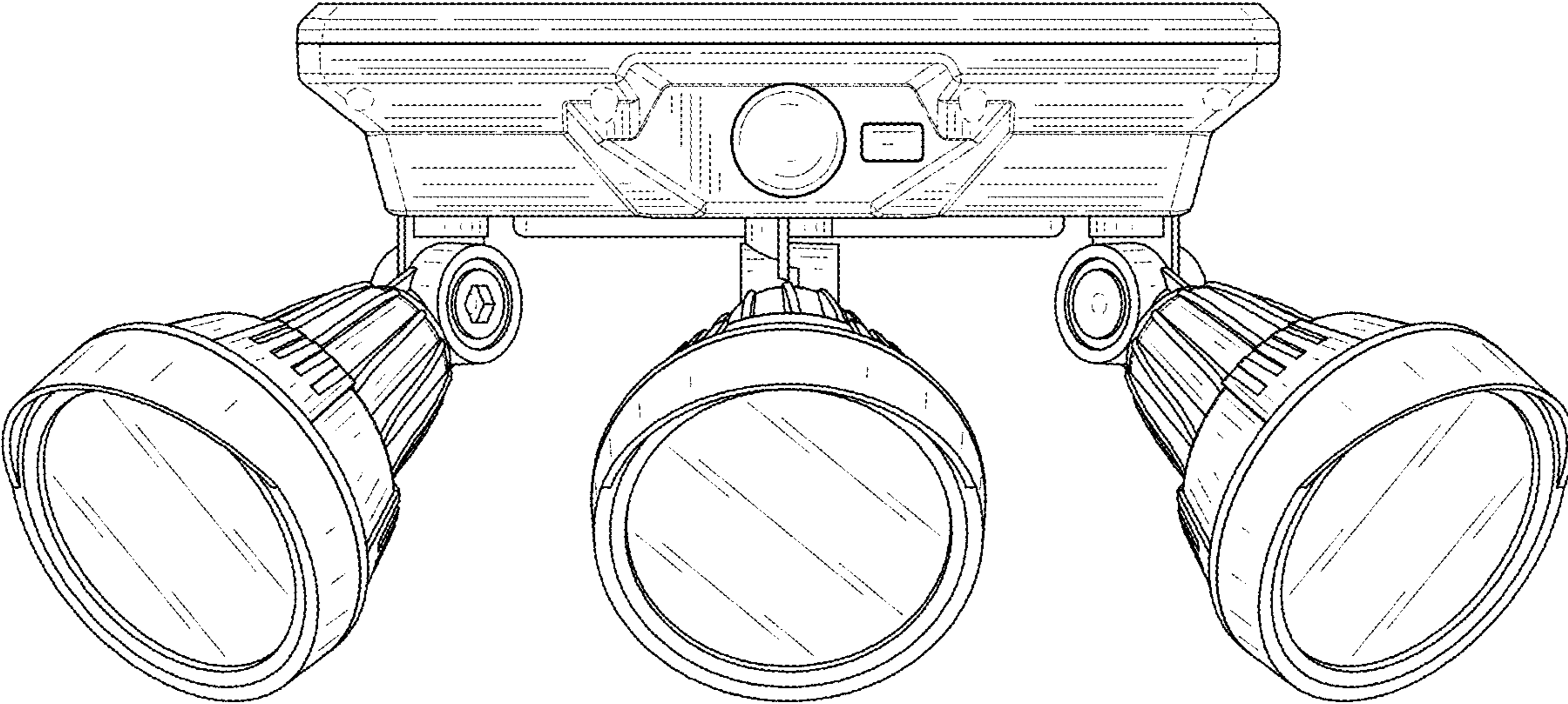


FIG. 3

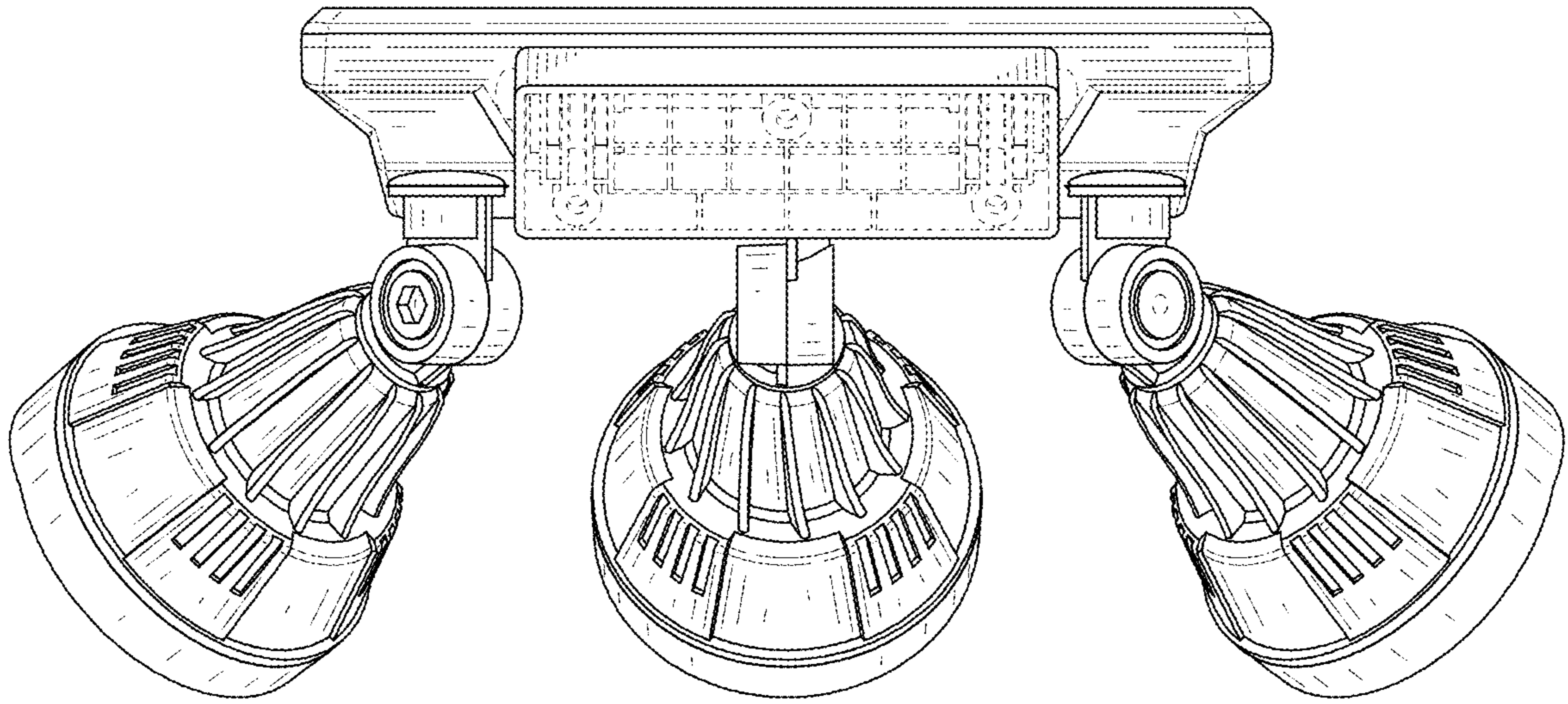


FIG. 4

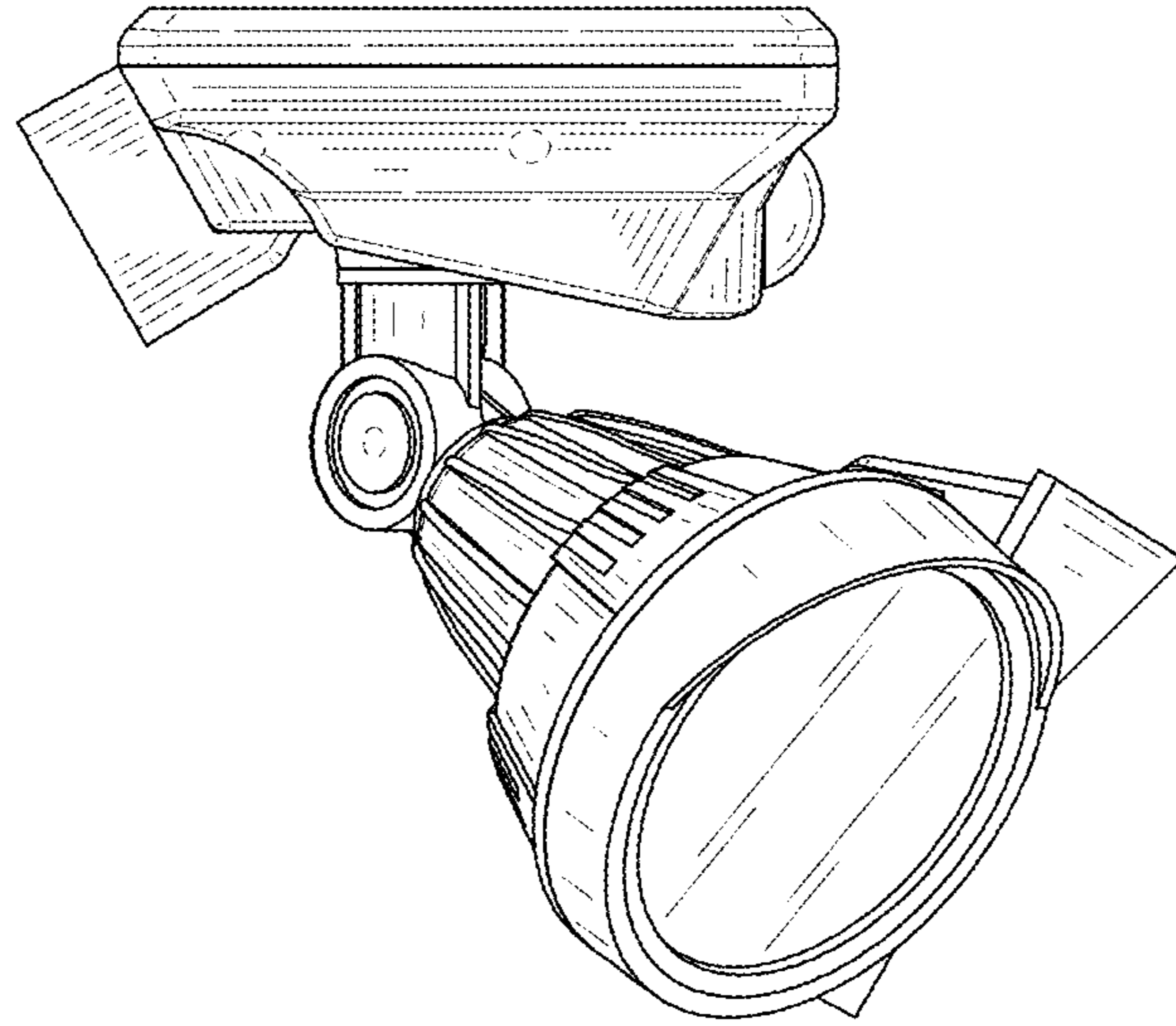


FIG. 5



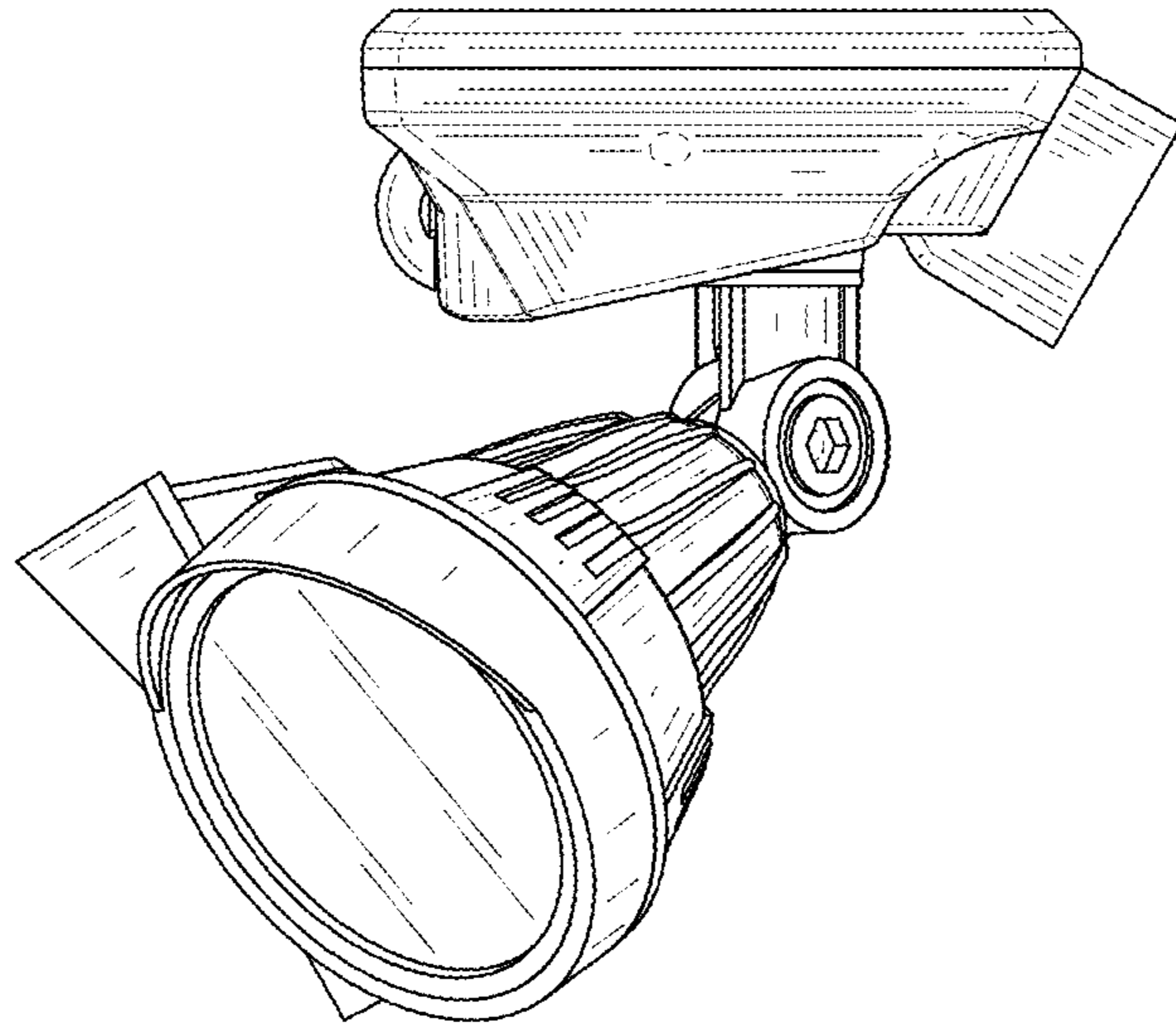


FIG. 6

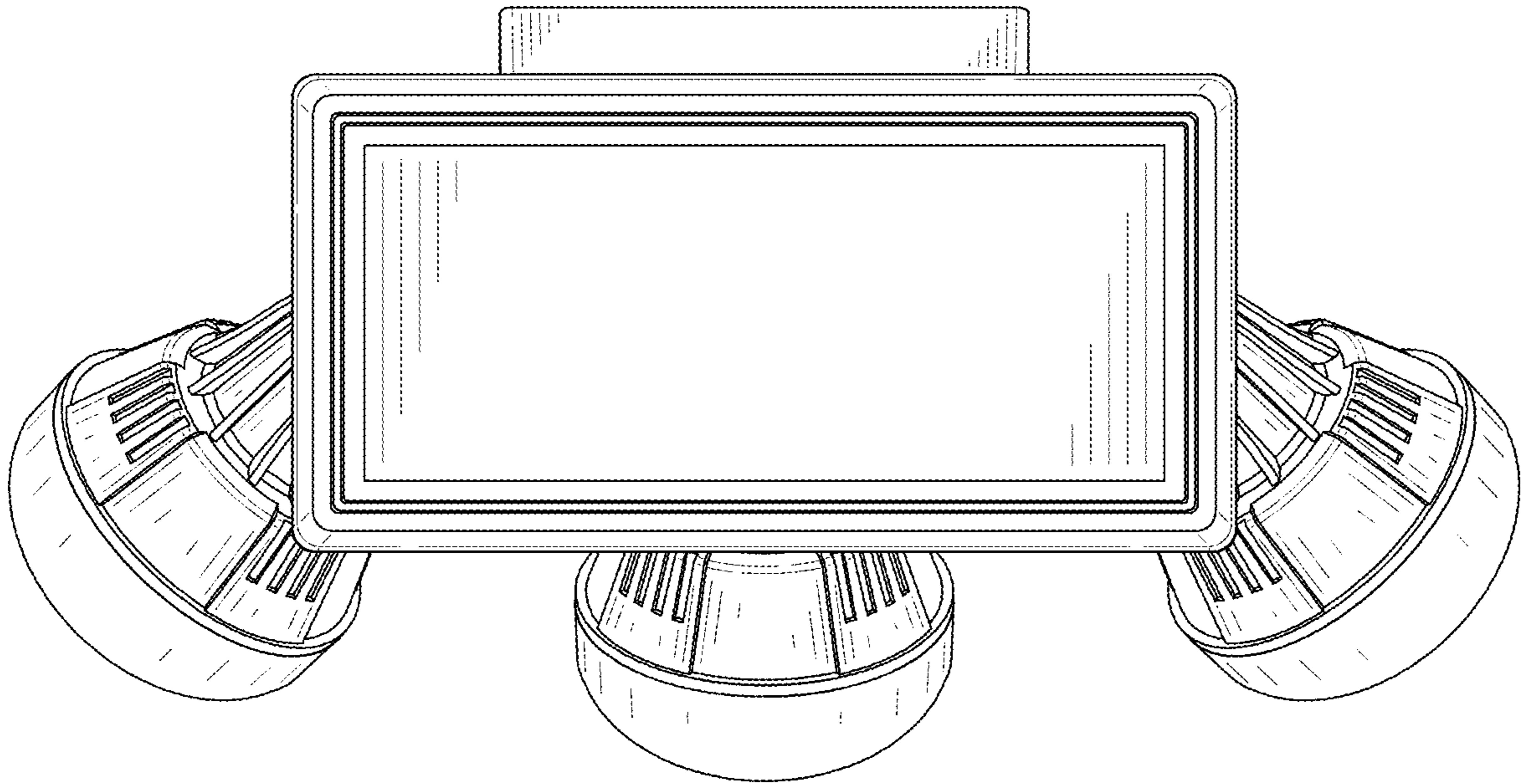


FIG. 7



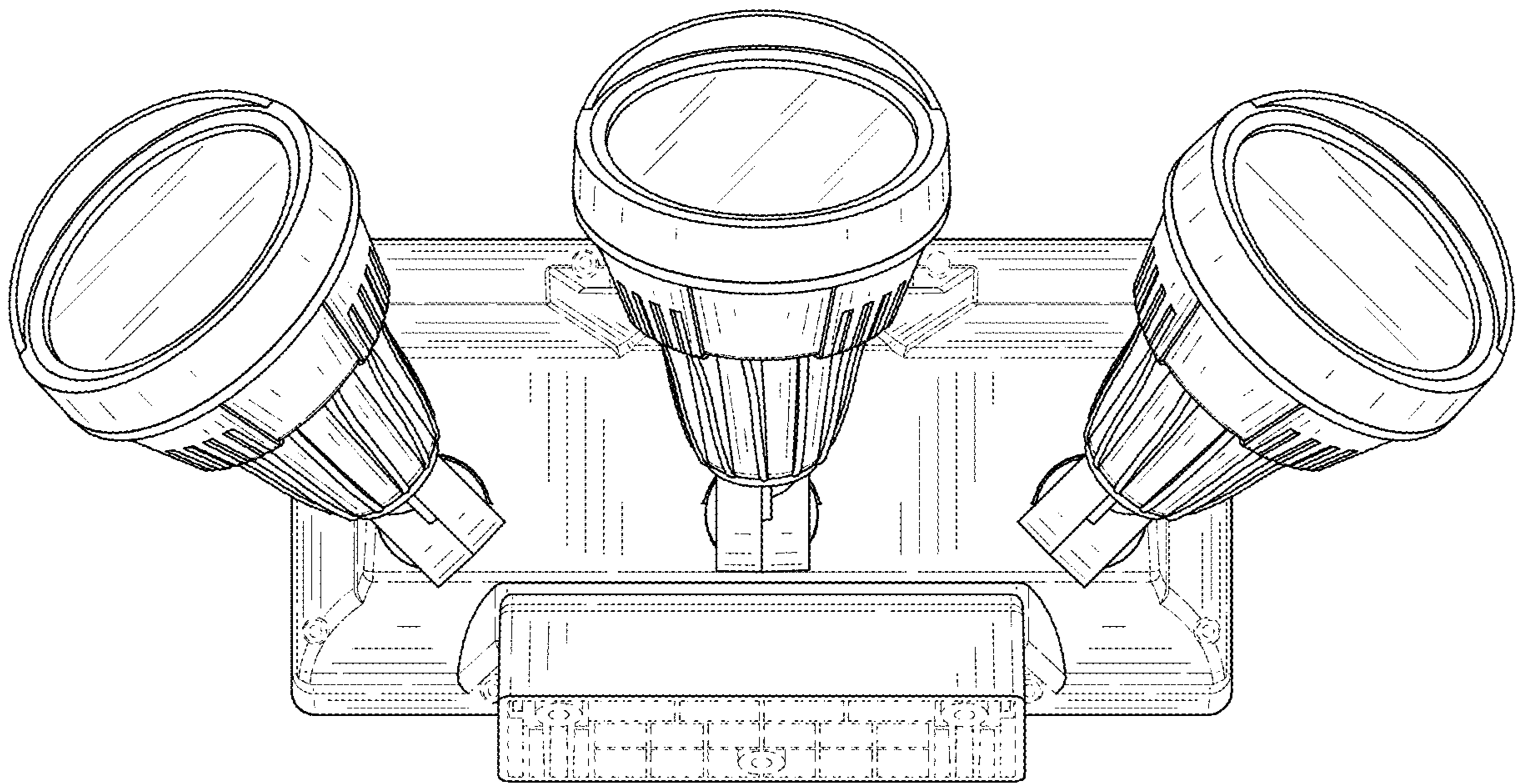


FIG. 8