



US00D935673S

(12) **United States Design Patent**
Chen

(10) **Patent No.:** **US D935,673 S**

(45) **Date of Patent:** **** Nov. 9, 2021**

(54) **LIGHT EMITTING DIODE (LED) LIGHT**

(71) Applicant: **Jianming Chen, Zhuji (CN)**

(72) Inventor: **Jianming Chen, Zhuji (CN)**

(**) Term: **15 Years**

(21) Appl. No.: **29/758,834**

(22) Filed: **Nov. 18, 2020**

(30) **Foreign Application Priority Data**

Nov. 4, 2020 (CN) 202030664816.0

(51) **LOC (13) Cl.** **26-03**

(52) **U.S. Cl.**
USPC **D26/63**

(58) **Field of Classification Search**
USPC D26/63
CPC F21V 21/14; F21V 15/01; F21V 14/02;
F21V 21/30; F21V 21/00; F21V 14/00;
F21S 8/00; F21S 8/003; F21S 8/043;
F21Y 2105/001
See application file for complete search history.

(56) **References Cited**

U.S. PATENT DOCUMENTS

D716,986 S	11/2014	Ng	
D762,902 S	* 8/2016	Ke	D26/63
D797,339 S	* 9/2017	Wang	D26/63
D799,729 S	* 10/2017	Zhong	D26/63
D842,520 S	* 3/2019	Brandrup	D26/63

D858,840 S	* 9/2019	Deng	D26/63
D887,056 S	* 6/2020	Moller	D26/63
D887,607 S	6/2020	Zhang	
D887,609 S	* 6/2020	Wu	D26/63
D893,788 S	* 8/2020	Li	D26/63
D898,969 S	* 10/2020	Chen	D26/63
D898,970 S	* 10/2020	Chen	D26/63
D901,055 S	* 11/2020	Zeng	D26/63
D903,175 S	* 11/2020	Lei	D26/63
D903,917 S	* 12/2020	Pietschmann	D26/63

* cited by examiner

Primary Examiner — Brian N. Vinson

(74) *Attorney, Agent, or Firm* — ScienBiziP, P.C.

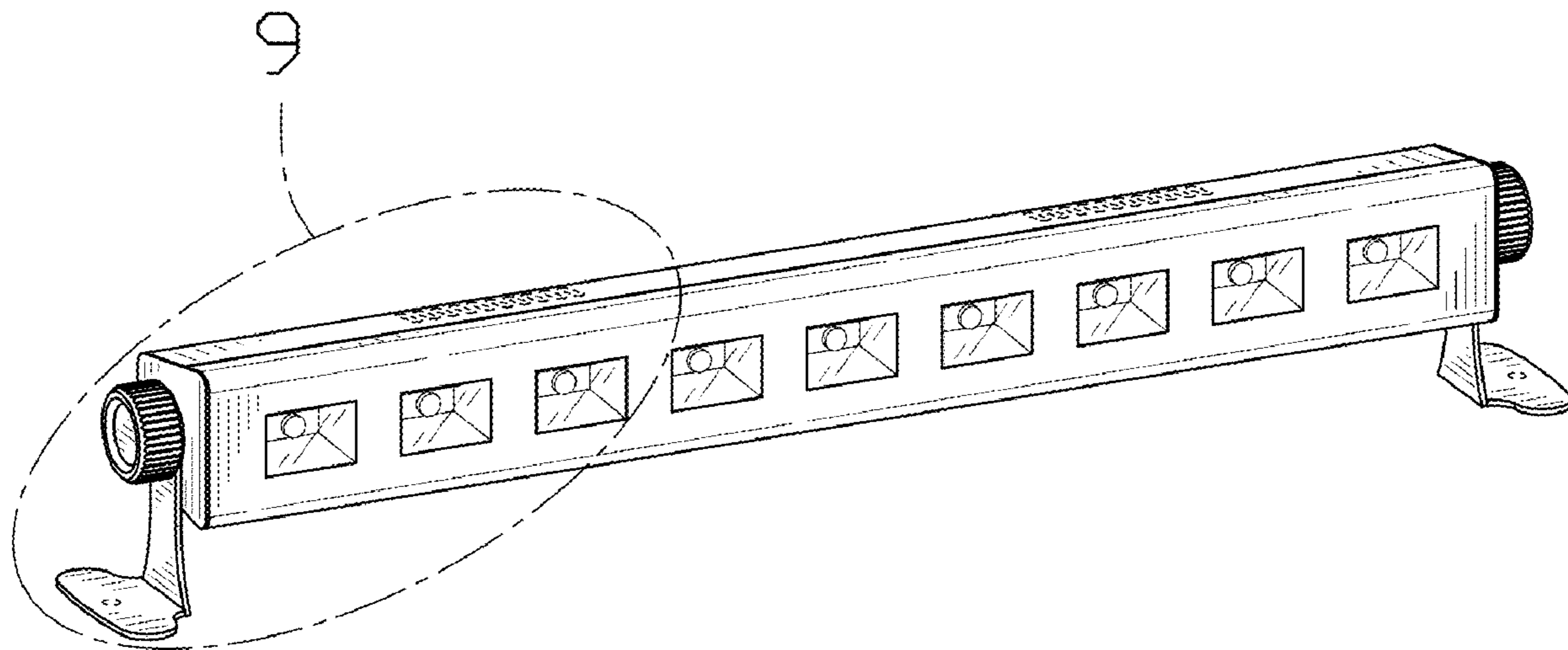
(57) **CLAIM**

The ornamental design for a light emitting diode (LED) light, as shown and described.

DESCRIPTION

FIG. 1 is a front perspective view of a light emitting diode (LED) light, showing my design.
 FIG. 2 is a rear perspective view thereof.
 FIG. 3 is a front elevation view thereof.
 FIG. 4 is a rear elevation view thereof.
 FIG. 5 is a left side elevation thereof.
 FIG. 6 is a right side elevation thereof.
 FIG. 7 is a top plan view thereof.
 FIG. 8 is a bottom plan view thereof; and,
 FIG. 9 is an enlarged view of an area labeled 9 in FIG. 1.
 The broken lines in the drawings depict environmental structure and boundaries and form no part of the claimed design.

1 Claim, 9 Drawing Sheets



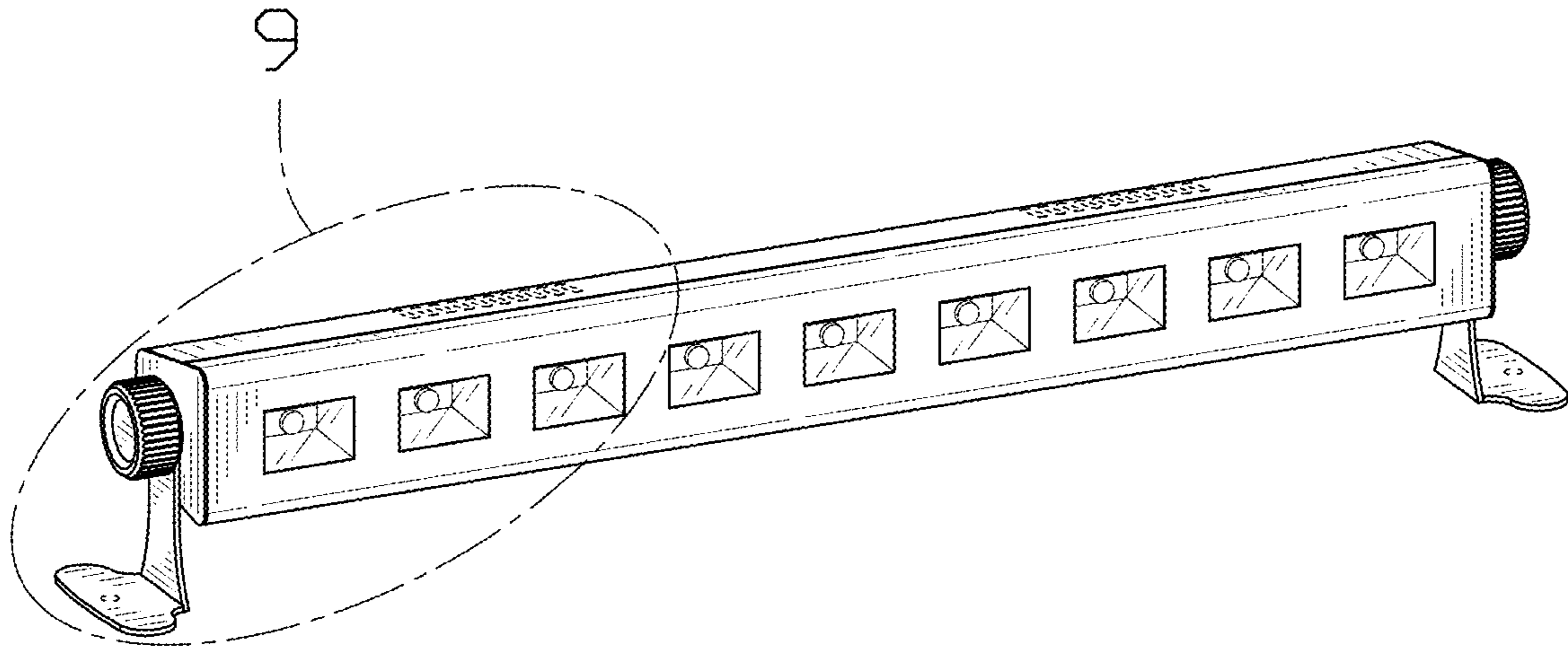


FIG. 1

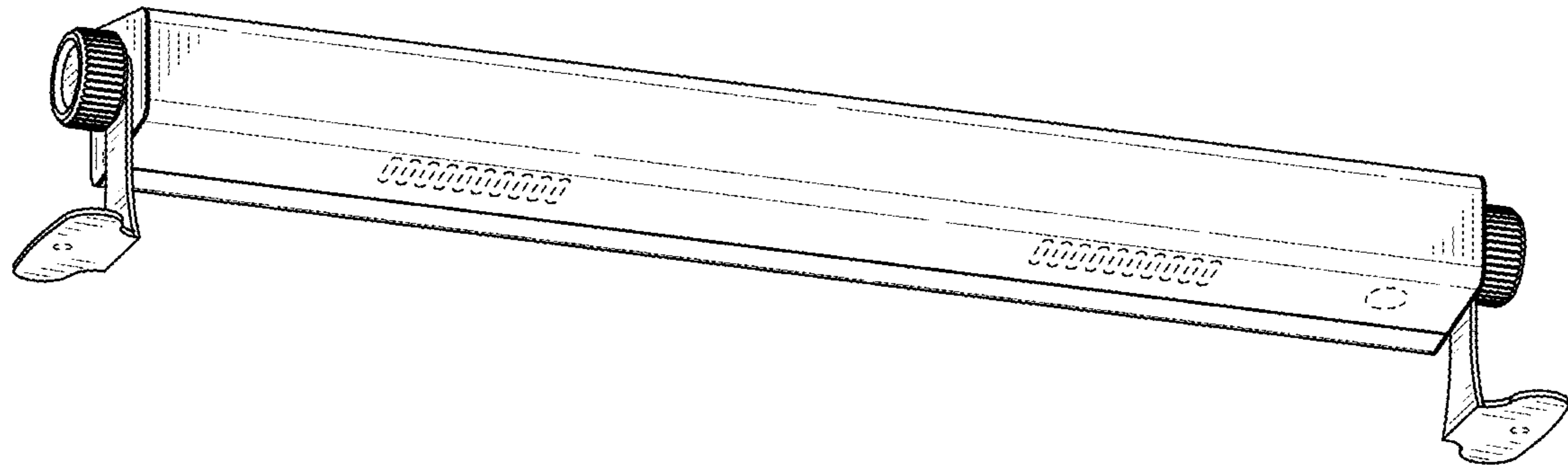


FIG. 2

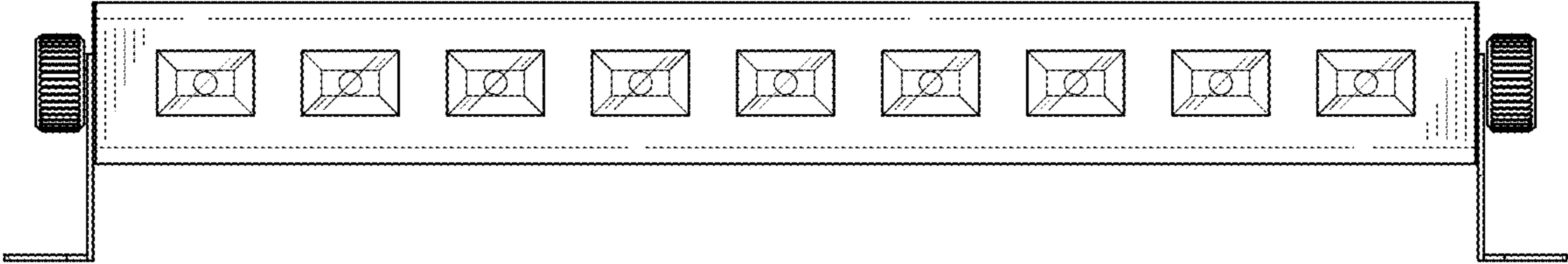


FIG. 3

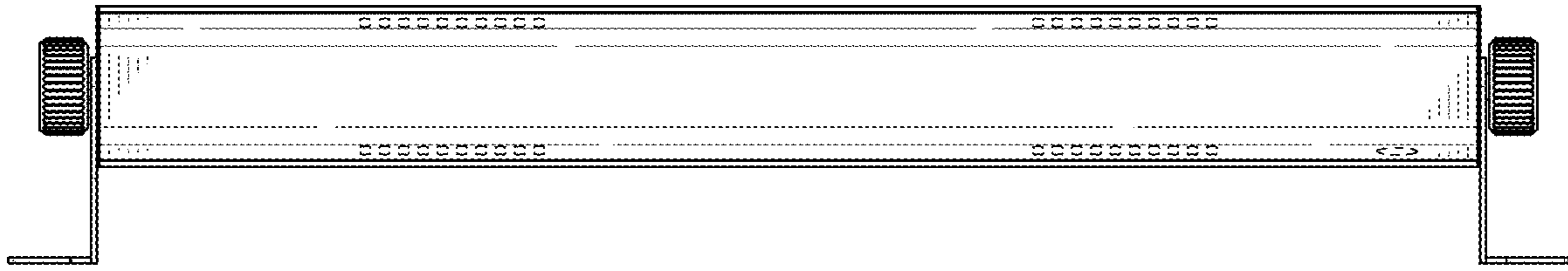


FIG. 4

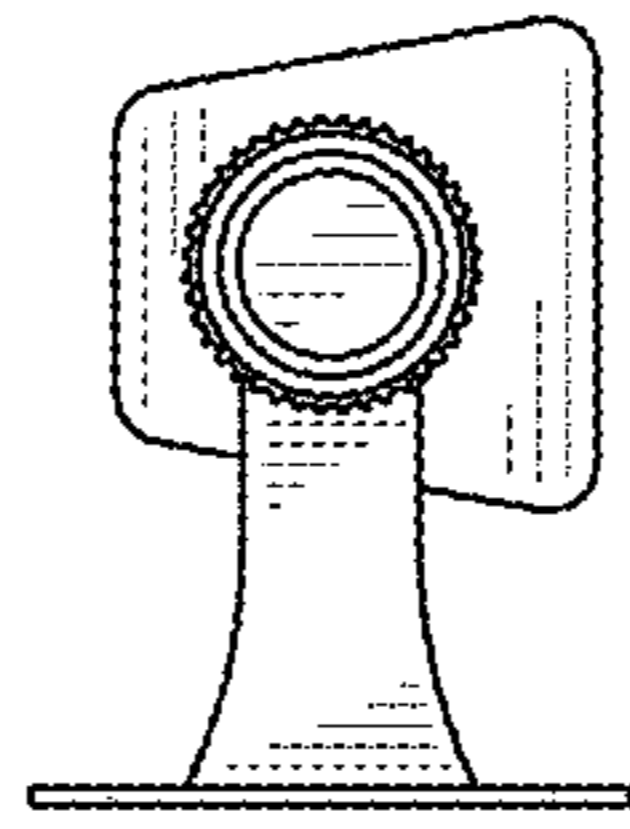


FIG. 5

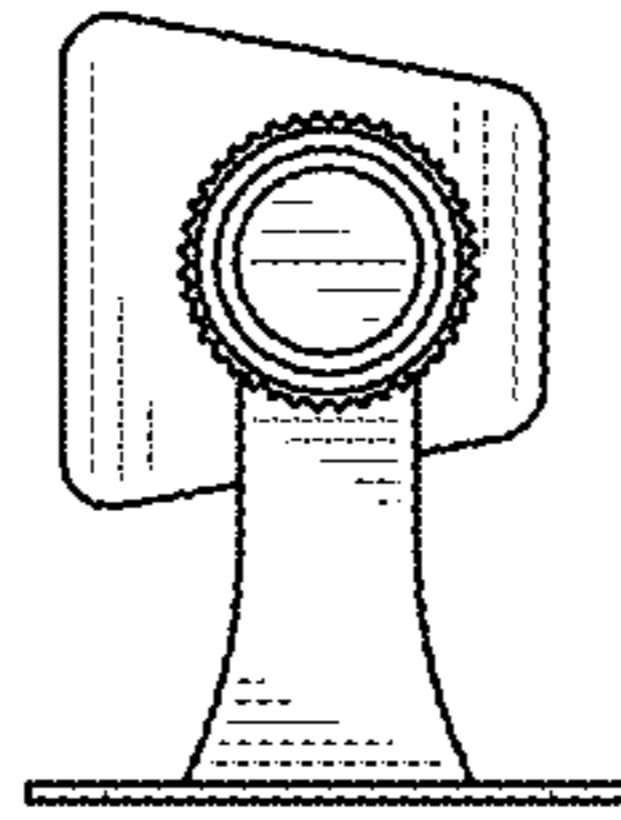


FIG. 6

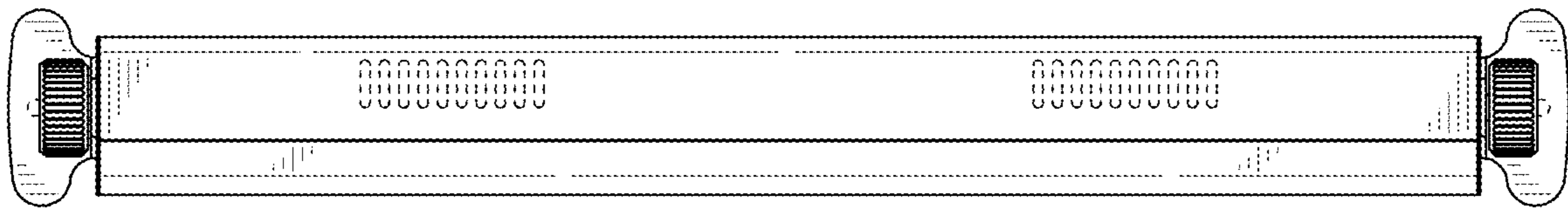


FIG. 7

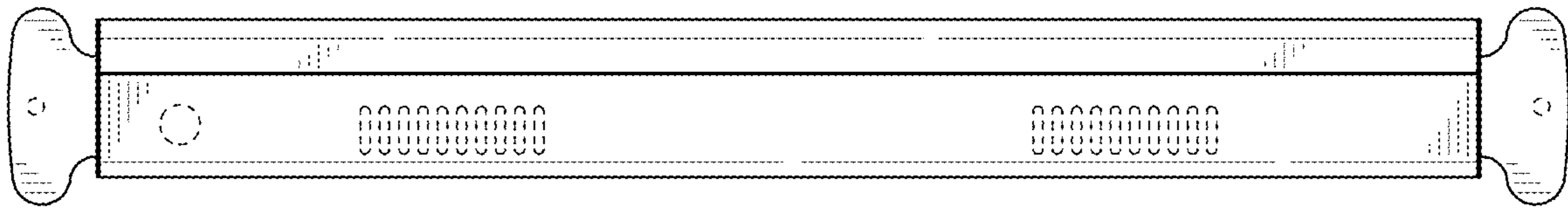


FIG. 8

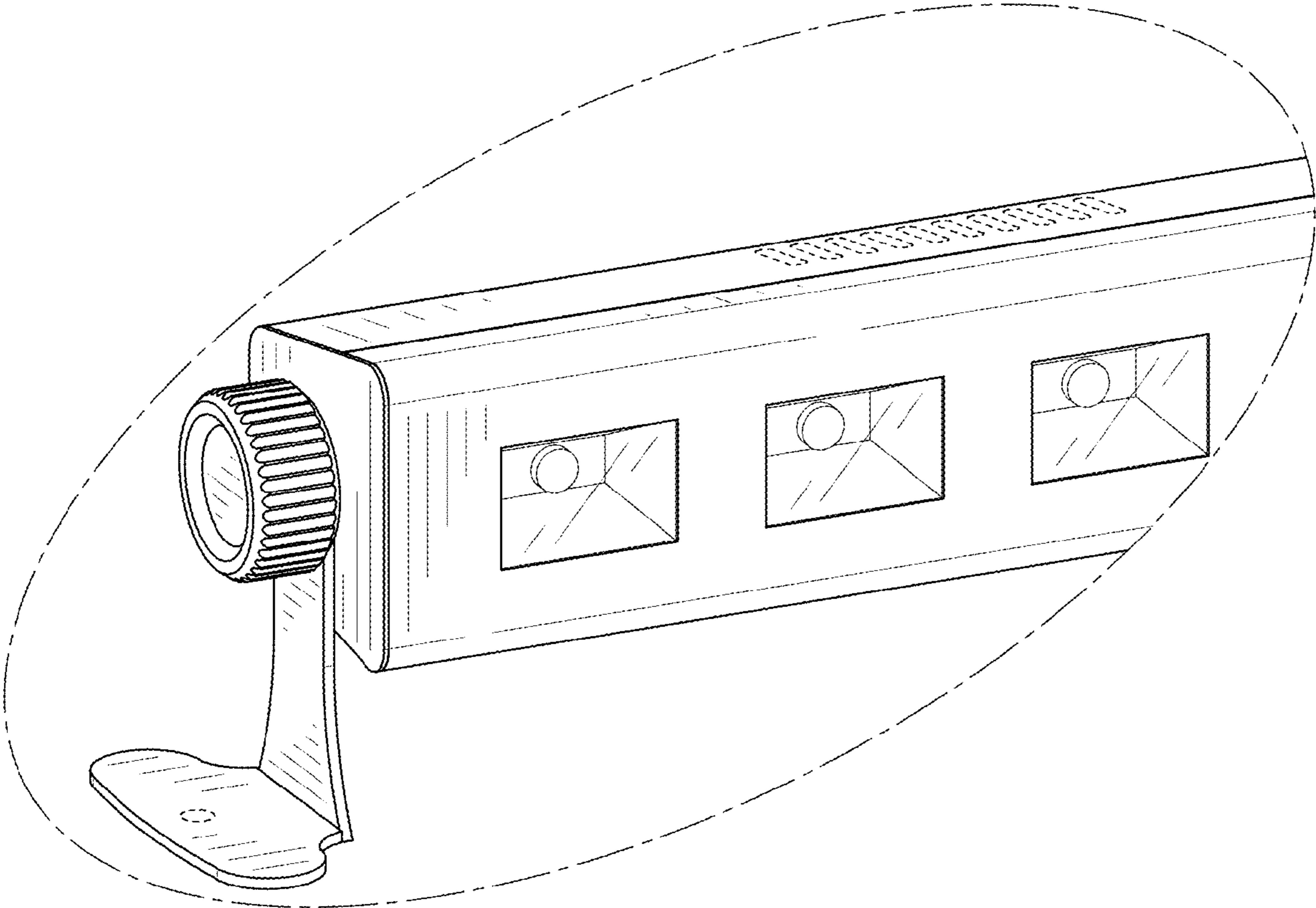


FIG. 9