



US00D935671S

(12) **United States Design Patent**  
**Deng**

(10) **Patent No.:** **US D935,671 S**

(45) **Date of Patent:** **\*\* Nov. 9, 2021**

(54) **GARAGE LIGHT**

(71) Applicant: **Ping Deng**, Guang'an (CN)

(72) Inventor: **Ping Deng**, Guang'an (CN)

(\*\*) Term: **15 Years**

(21) Appl. No.: **29/736,493**

(22) Filed: **Jun. 1, 2020**

(51) **LOC (13) Cl.** ..... **26-03**

(52) **U.S. Cl.**  
USPC ..... **D26/63; D26/2**

(58) **Field of Classification Search**  
USPC ..... D26/2, 61, 63, 64, 65  
CPC ..... F21S 6/00; F21S 8/00; F21S 8/024; F21S  
8/003; F21V 21/00; F21V 21/06; F21V  
21/26; F21V 21/28; F21V 17/02; F21W  
2121/10; F21W 2131/30  
See application file for complete search history.

(56) **References Cited**

**U.S. PATENT DOCUMENTS**

D578,695 S \* 10/2008 Zheng ..... D26/70  
8,047,682 B2 \* 11/2011 Zheng ..... F21S 8/086  
362/249.05  
D861,926 S \* 10/2019 Lin ..... D26/2  
D879,334 S \* 3/2020 Lin ..... D26/2

D879,335 S \* 3/2020 Lin ..... D26/2  
D879,349 S \* 3/2020 Li ..... D26/63  
D882,851 S \* 4/2020 Deng ..... D26/63  
D884,952 S \* 5/2020 Cao ..... D26/63  
D885,630 S \* 5/2020 Lin ..... D26/63  
D886,353 S \* 6/2020 Du ..... D26/63  
D887,610 S \* 6/2020 Wei ..... D26/63  
D907,829 S \* 1/2021 Rajasekaran ..... D26/63  
D908,250 S \* 1/2021 Xu ..... D26/2

\* cited by examiner

*Primary Examiner* — Brian N. Vinson

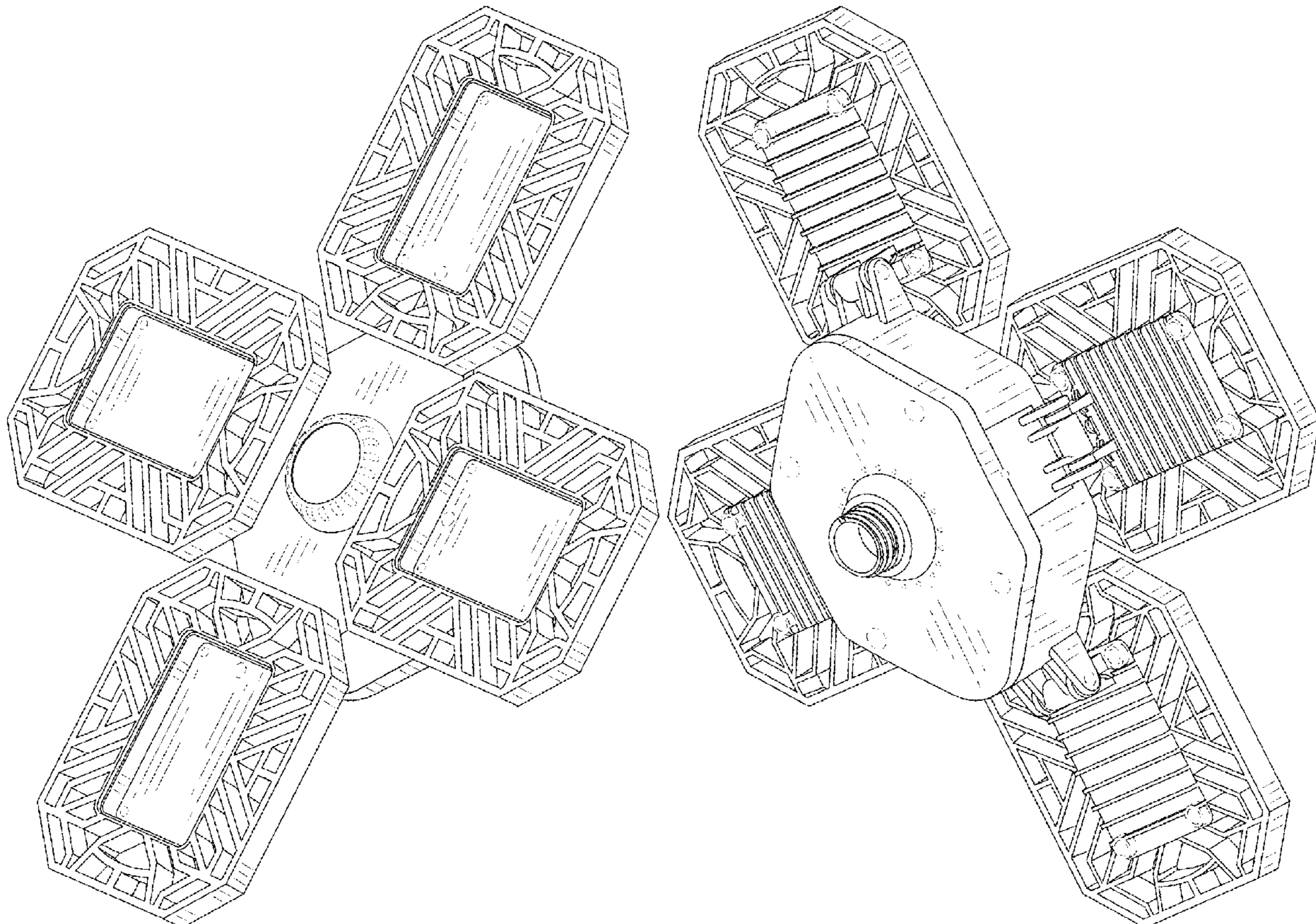
(57) **CLAIM**

The ornamental design for a garage light, as shown and described.

**DESCRIPTION**

FIG. 1 is a first perspective view of a garage light showing my new design;  
FIG. 2 is a second perspective view thereof;  
FIG. 3 is a front view thereof;  
FIG. 4 is a back view thereof;  
FIG. 5 is a left side view thereof;  
FIG. 6 is a right side view thereof;  
FIG. 7 is a top view thereof; and,  
FIG. 8 is a bottom view thereof.  
The broken lines shown in the drawings depict portions of the garage light in which the design is embodied that form no part of the claimed design.

**1 Claim, 8 Drawing Sheets**



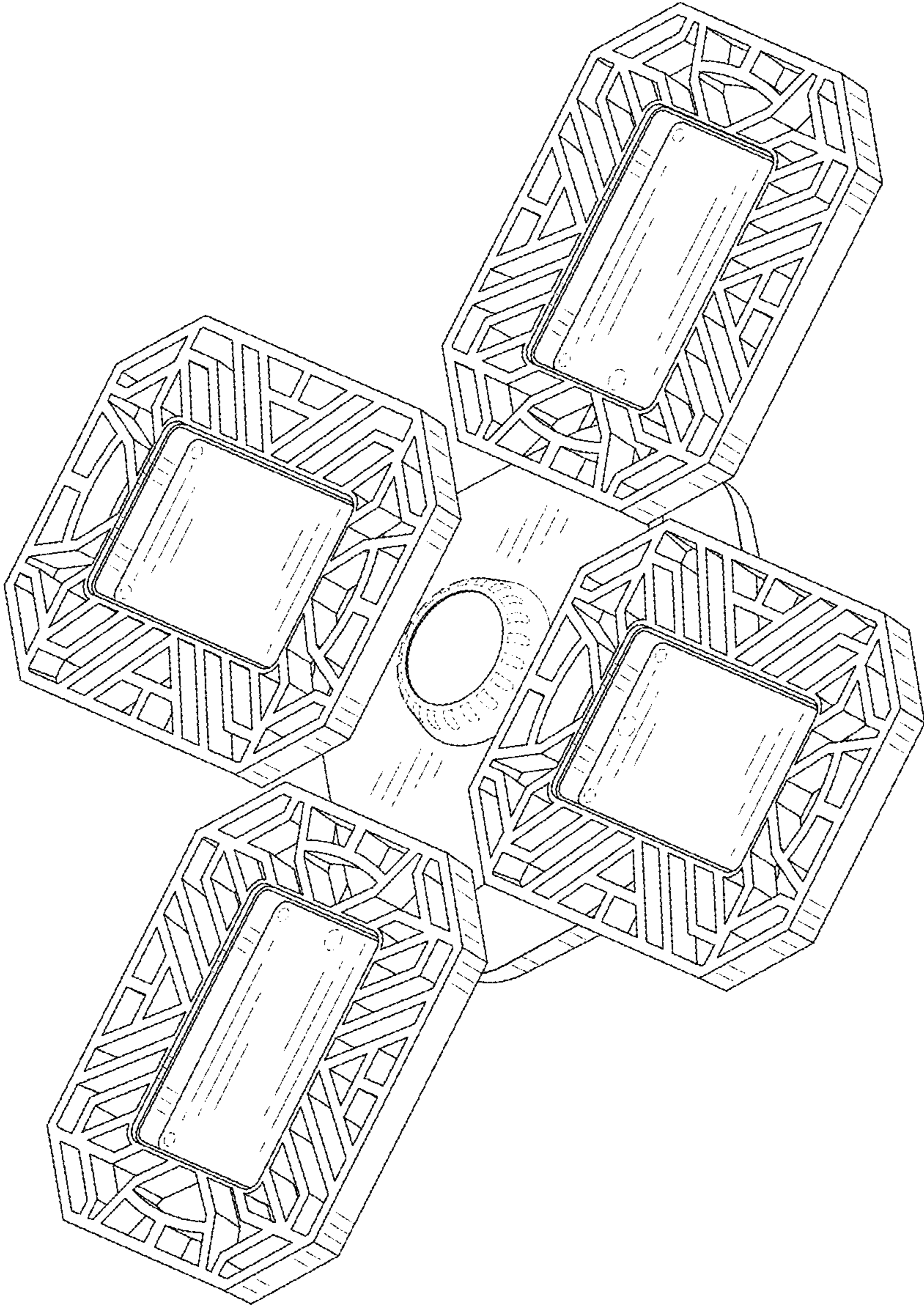


FIG.1

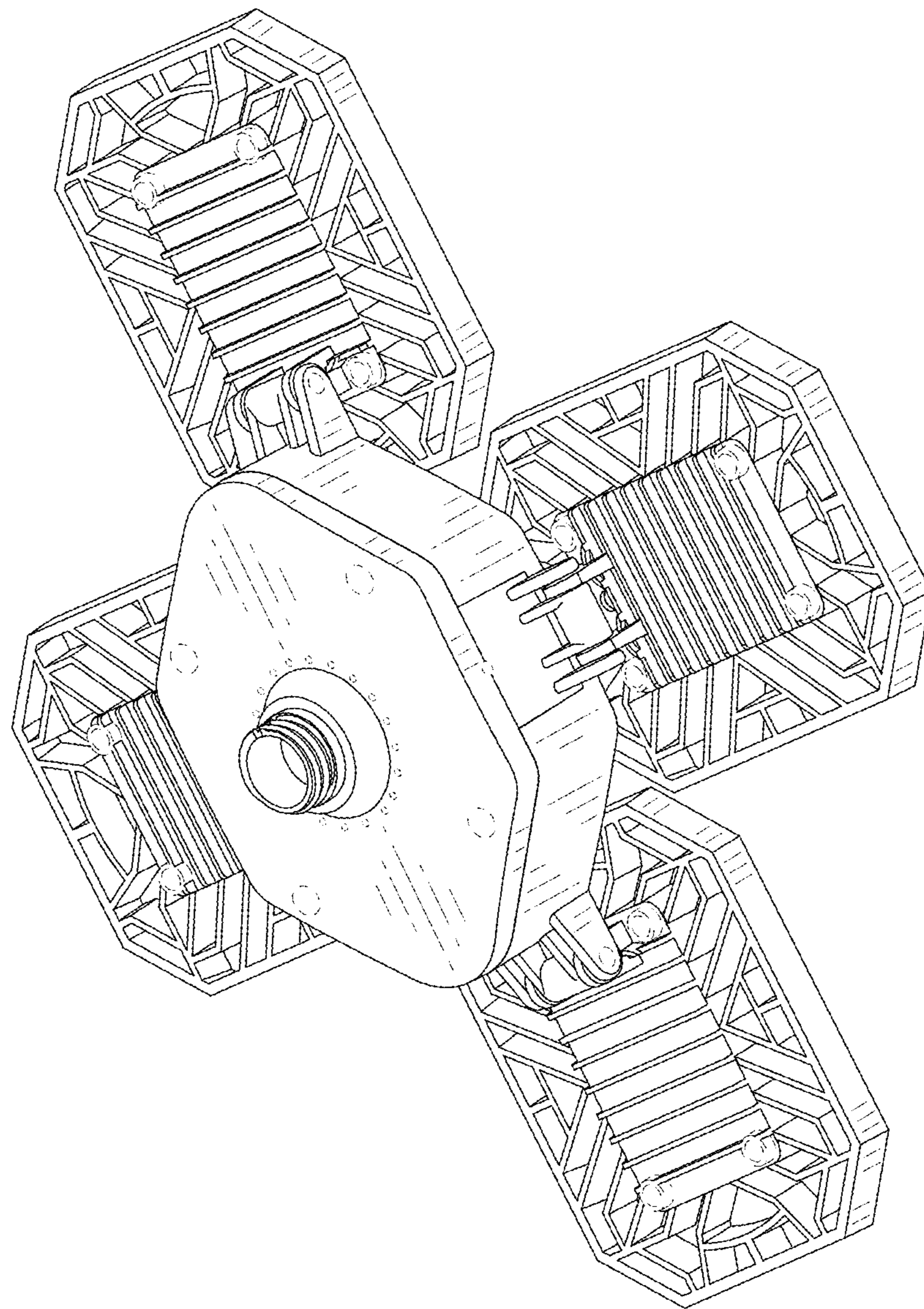


FIG.2

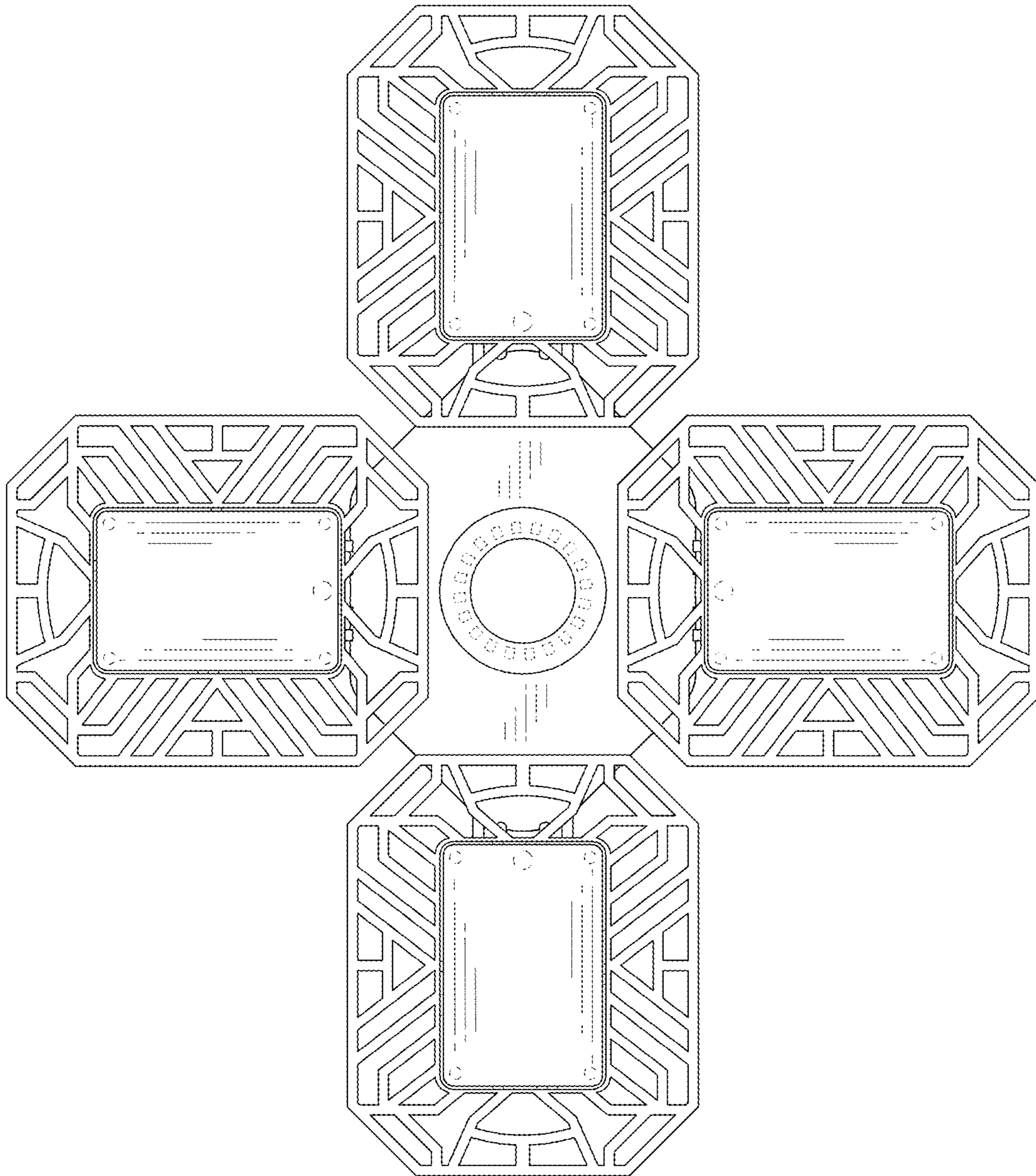


FIG.3

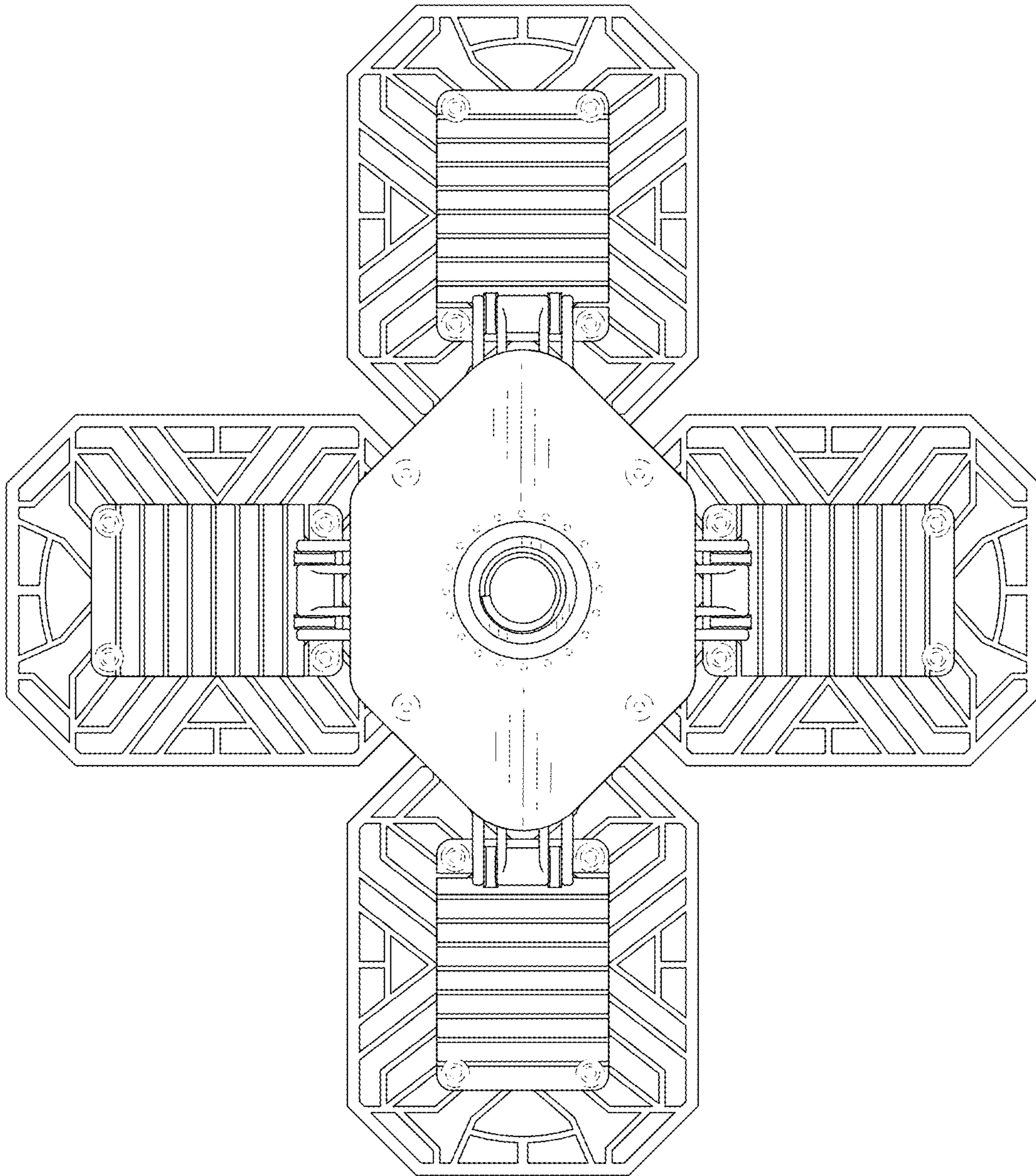


FIG.4

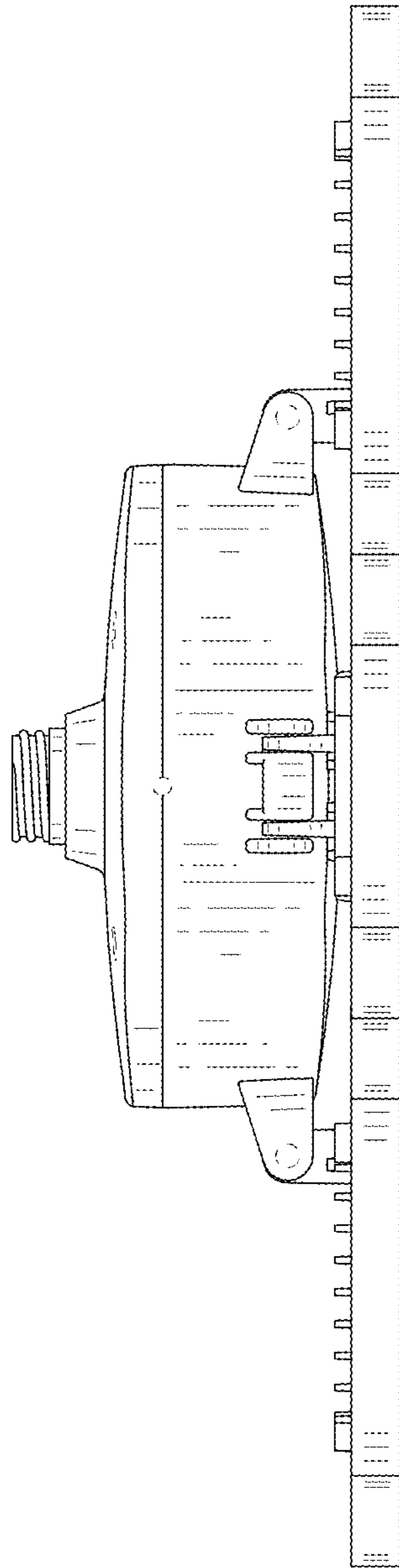


FIG.5

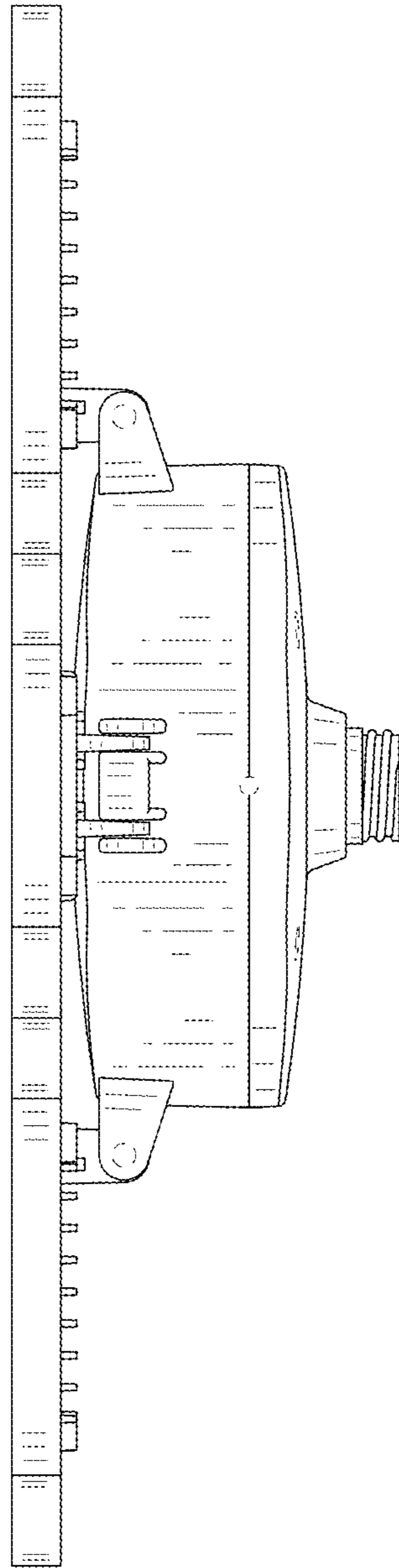


FIG.6

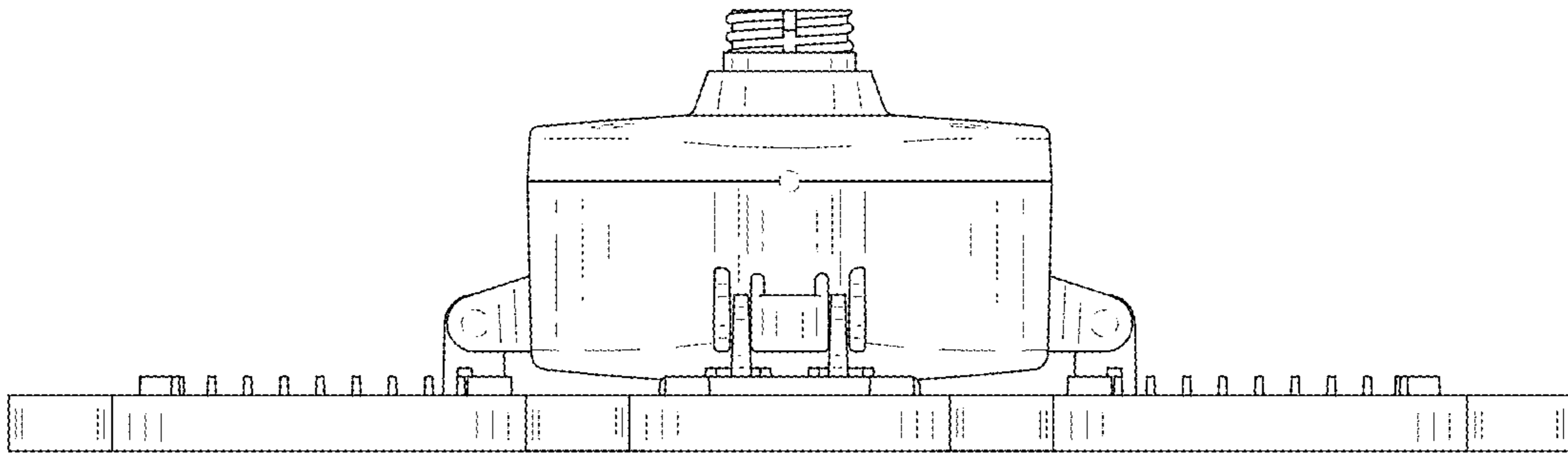


FIG.7



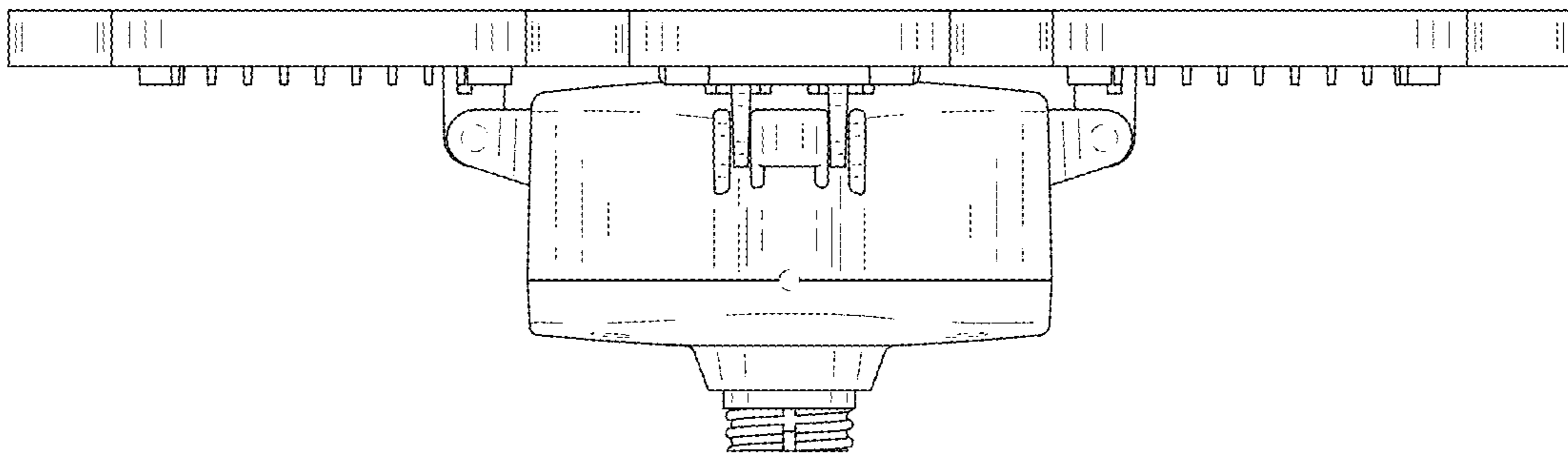


FIG.8