



US00D935670S

(12) **United States Design Patent**
Zeng

(10) **Patent No.:** **US D935,670 S**

(45) **Date of Patent:** **** Nov. 9, 2021**

- (54) **SUSPENSION BOOM STAND**
- (71) Applicant: **Changfeng Zeng**, Jiangxi (CN)
- (72) Inventor: **Changfeng Zeng**, Jiangxi (CN)
- (**) Term: **15 Years**
- (21) Appl. No.: **29/695,684**
- (22) Filed: **Jun. 21, 2019**
- (51) **LOC (13) Cl.** **26-03**
- (52) **U.S. Cl.**
USPC **D26/60**
- (58) **Field of Classification Search**
USPC D26/61, 63, 64, 65, 60, 106, 107, 108
CPC F21V 17/02; F21V 21/28; F21V 21/26;
F21V 21/06; F21V 21/00; F21W 2131/30;
F21W 2131/10; F21S 8/024; F21S 6/003;
F21S 8/003; F21S 8/00; F21F 6/00
See application file for complete search history.

- 5,101,332 A * 3/1992 Hsia F21V 21/26
362/401
- 5,590,957 A * 1/1997 Chen F21V 21/26
362/419
- D394,913 S * 6/1998 Chan D26/65
- D441,476 S * 5/2001 Mendelsohn D26/63
- D597,238 S * 7/2009 Lu D16/135
- D808,562 S * 1/2018 Li D26/65
- 2011/0085338 A1* 4/2011 Lu F21V 21/06
362/268

* cited by examiner

Primary Examiner — Brian N. Vinson

(57) **CLAIM**

The ornamental design for a suspension boom stand, as shown and described.

DESCRIPTION

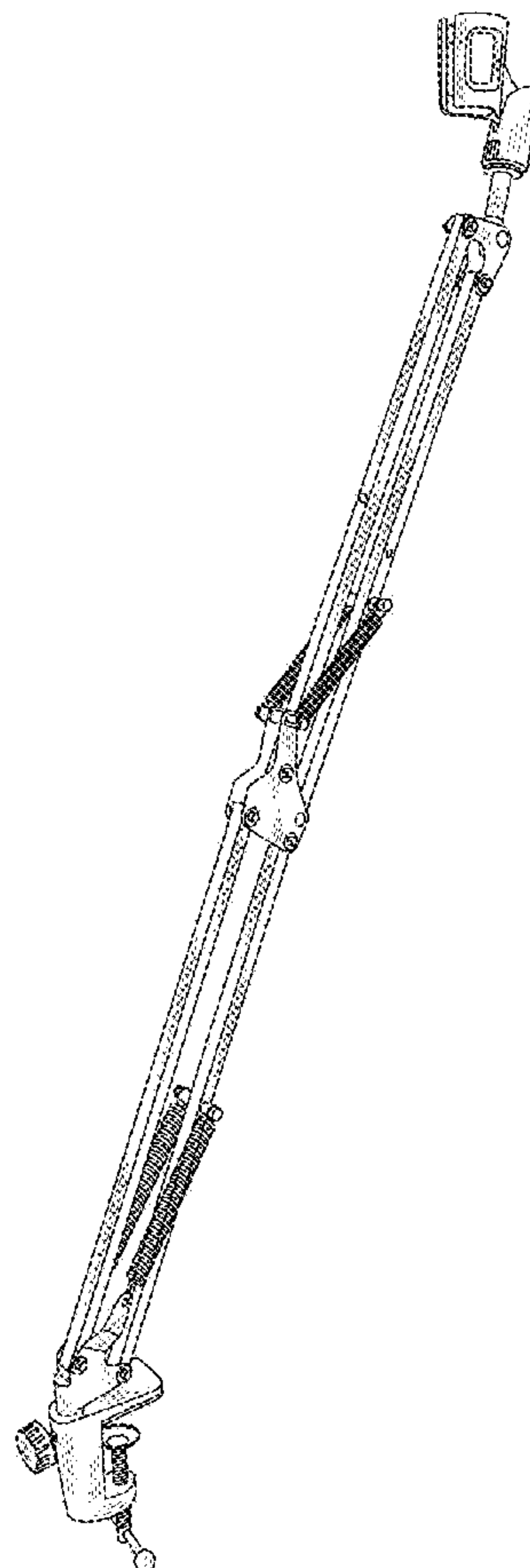
FIG. 1 is a perspective view of a suspension boom stand showing my new design;
 FIG. 2 is a front elevational view thereof;
 FIG. 3 is a rear elevational view thereof;
 FIG. 4 is a left side elevational view thereof;
 FIG. 5 is a right side elevational view thereof;
 FIG. 6 is a top plan view thereof;
 FIG. 7 is a bottom plan view thereof; and,
 FIG. 8 is a perspective view thereof, showing the bending state of the design.

1 Claim, 8 Drawing Sheets

(56) **References Cited**

U.S. PATENT DOCUMENTS

- 3,041,060 A * 6/1962 Jacobsen F16M 11/2092
267/177
- 3,543,019 A * 11/1970 Jacobsen F16M 11/10
362/402



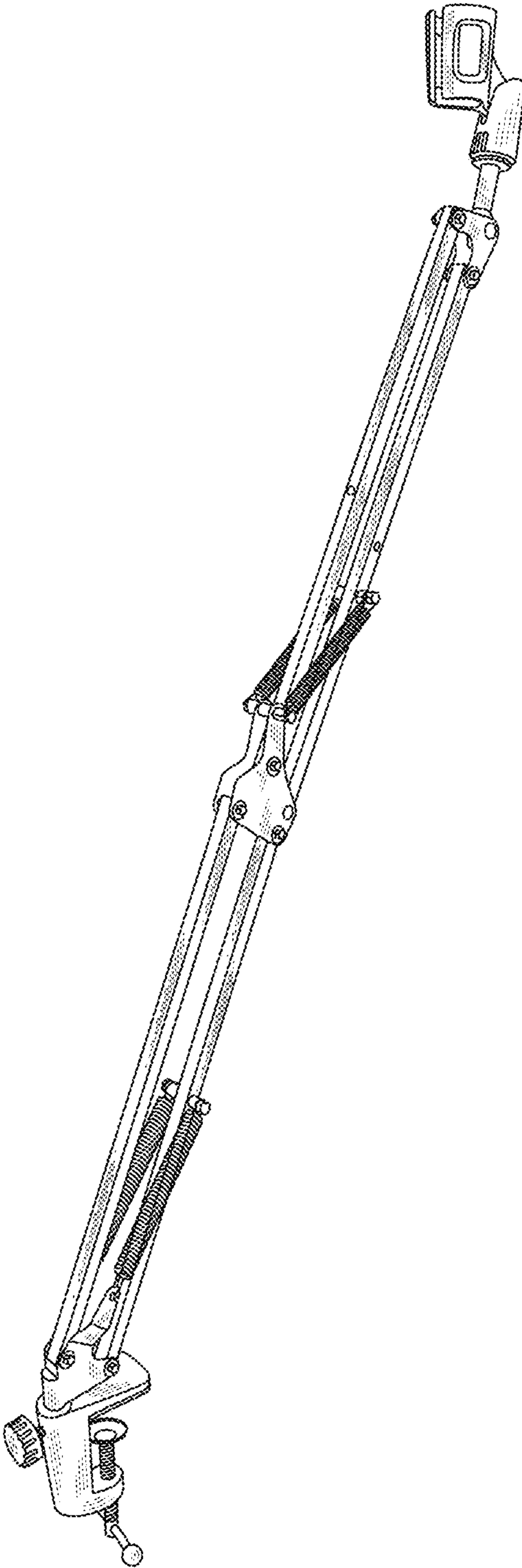


FIG. 1

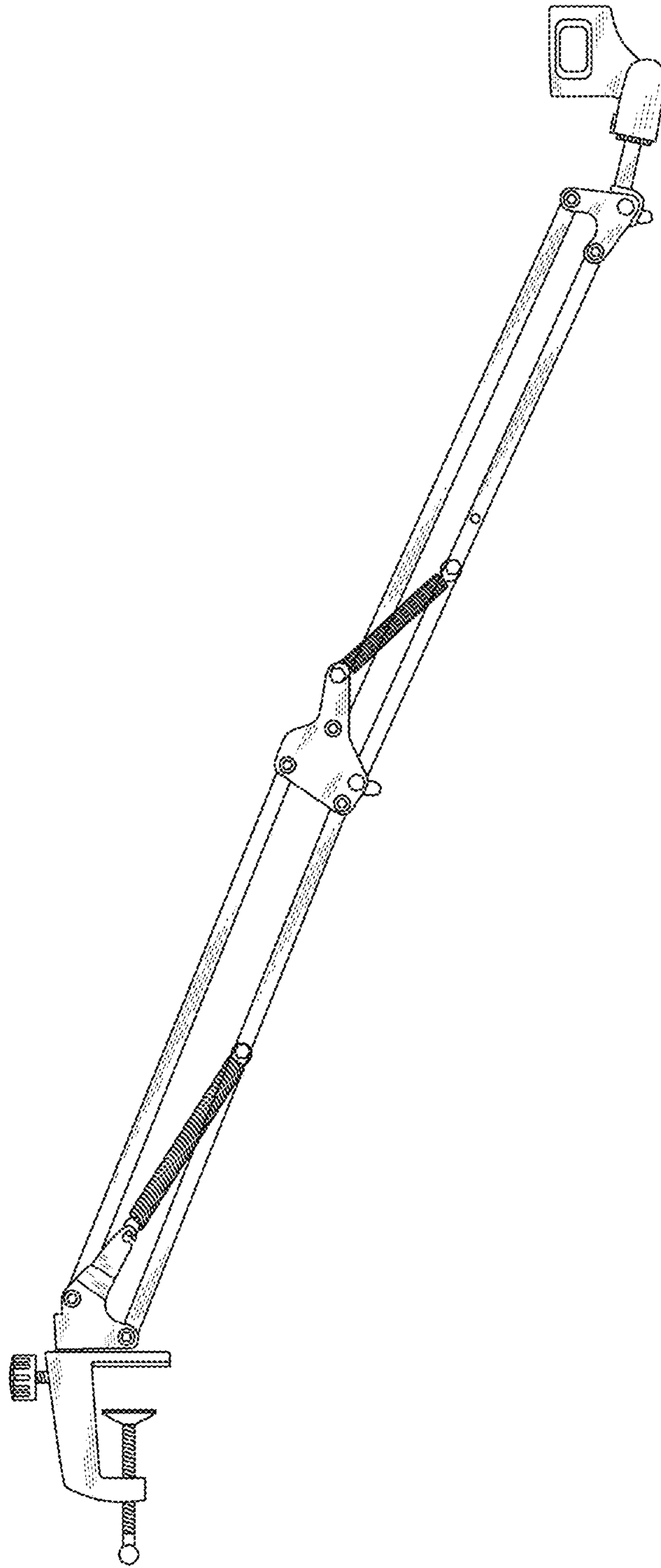


FIG. 2

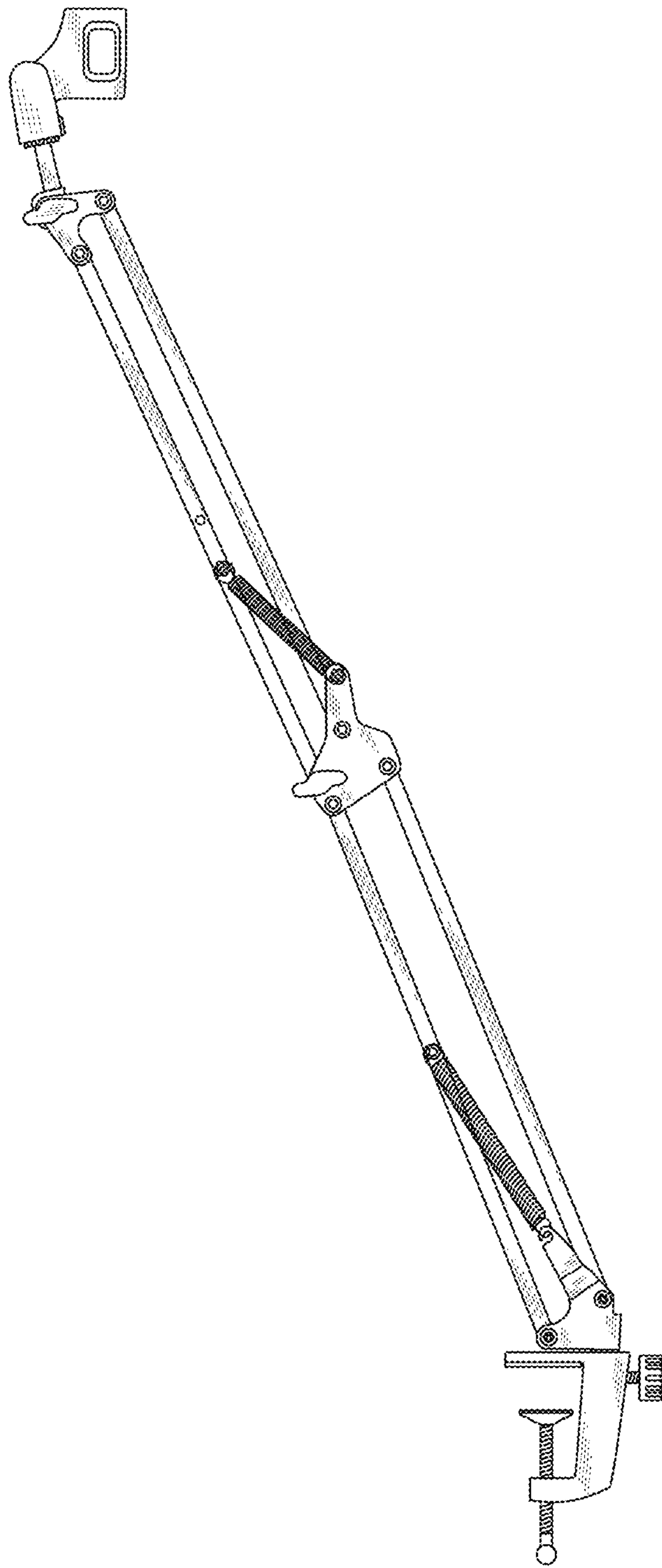


FIG. 3

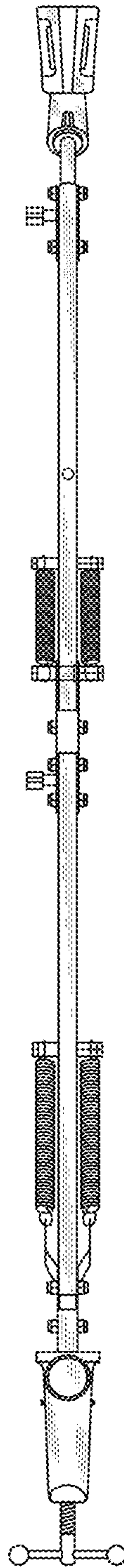


FIG. 4

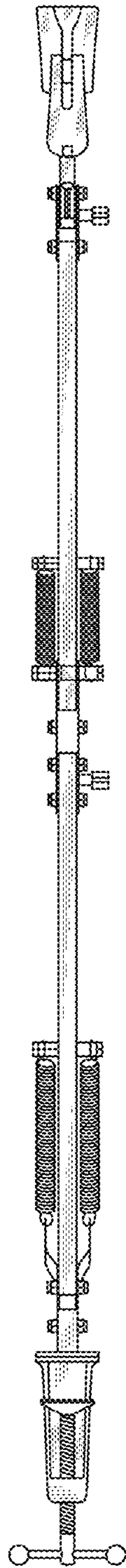


FIG. 5

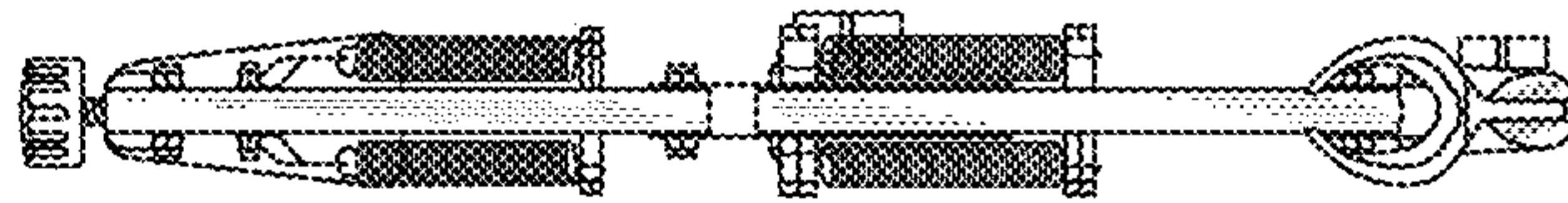


FIG. 6

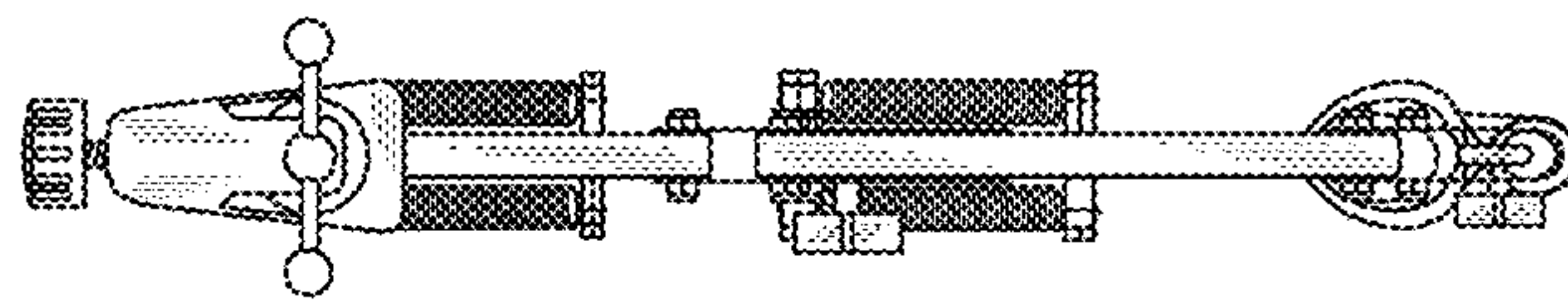


FIG. 7

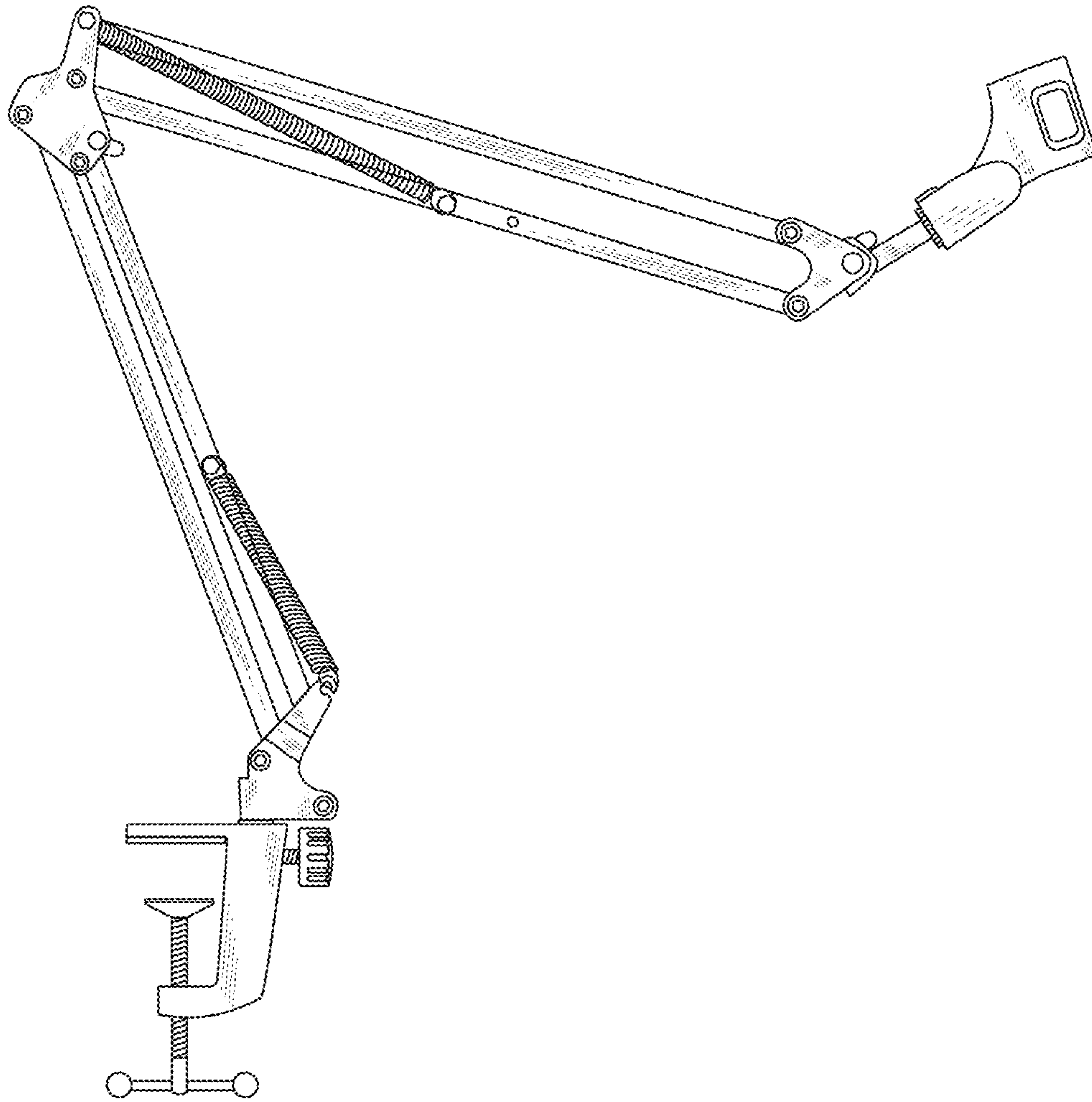


FIG. 8