



US00D935669S

(12) **United States Design Patent** (10) **Patent No.:** **US D935,669 S**
McRoberts (45) **Date of Patent:** **** Nov. 9, 2021**

(54) **CEILING FAN LIGHT GLASS**
(71) Applicant: **HUNTER FAN COMPANY**,
Memphis, TN (US)
(72) Inventor: **Claire Bernice McRoberts**, Memphis,
TN (US)
(73) Assignee: **Hunter Fan Company**, Memphis, TN
(US)

D358,877 S 3/1995 Tsuji
D381,105 S * 7/1997 Swanson D26/102
D407,154 S 3/1999 Thomas
D420,163 S * 2/2000 Fouke D26/88
D480,470 S * 10/2003 Tsuji D23/411
D485,347 S 1/2004 Bucher
D501,689 S * 2/2005 Pickett D26/128
D523,952 S 6/2006 Ertze
D527,451 S * 8/2006 Glasbrenner D23/377
D544,623 S * 6/2007 Pickett D26/59

(Continued)

(**) Term: **15 Years**

OTHER PUBLICATIONS

(21) Appl. No.: **29/628,779**

Casablanca 99057 Swirled Marble Standard Shape Glass Bowl, date first reviewed Aug. 13, 2014, site visited Apr. 18, 2018, Copyright © 1996-2018, <https://www.amazon.com/Casablanca-99057-Swirled-Marble-Standard/dp/B00CIN53PE/ref=cm_cr_arp_d_product_top?ie=UTF8>.*

(22) Filed: **Dec. 7, 2017**

(Continued)

Related U.S. Application Data

(62) Division of application No. 29/557,198, filed on Mar. 7, 2016, now Pat. No. Des. 810,912.

Primary Examiner — Sharon S Oum

(51) **LOC (13) Cl.** **26-05**

(74) *Attorney, Agent, or Firm* — McGarry Bair PC

(52) **U.S. Cl.**
USPC **D26/59**; D26/128

(58) **Field of Classification Search**
USPC D23/335–337, 355, 370–385, 411–414;
D26/59, 67, 72, 80–89, 92, 104–105, 110,
D26/113, 118–119, 128–137;
D11/152–154

(57) **CLAIM**

The ornamental design for a ceiling fan light glass, as shown and described.

CPC F04D 25/088; F21V 33/0096; F21V 21/03;
F21V 17/002; F21V 23/007; F21V 23/04;
F21V 23/0485; F21V 15/01; F21V
19/006; F21V 19/04; F21V 21/02; F21V
23/002; F21V 23/005; F21V 33/0052;
F21V 7/22

DESCRIPTION

FIG. 1 is a bottom perspective view of a light glass of a ceiling fan;
FIG. 2 is a top perspective view of the light glass of FIG. 1;
FIG. 3 is a top view of the light glass of FIG. 1;
FIG. 4 is a bottom view of the light glass of FIG. 1; and,
FIG. 5 is a front side view of the light glass of FIG. 1, with rear, right, and left side views being mirror images thereof. The broken lines shown in FIG. 1 illustrate environmental structure. The broken lines shown in FIG. 2 and FIG. 3 illustrate portions of the ceiling fan light glass. None of the broken lines form part of the claimed design.

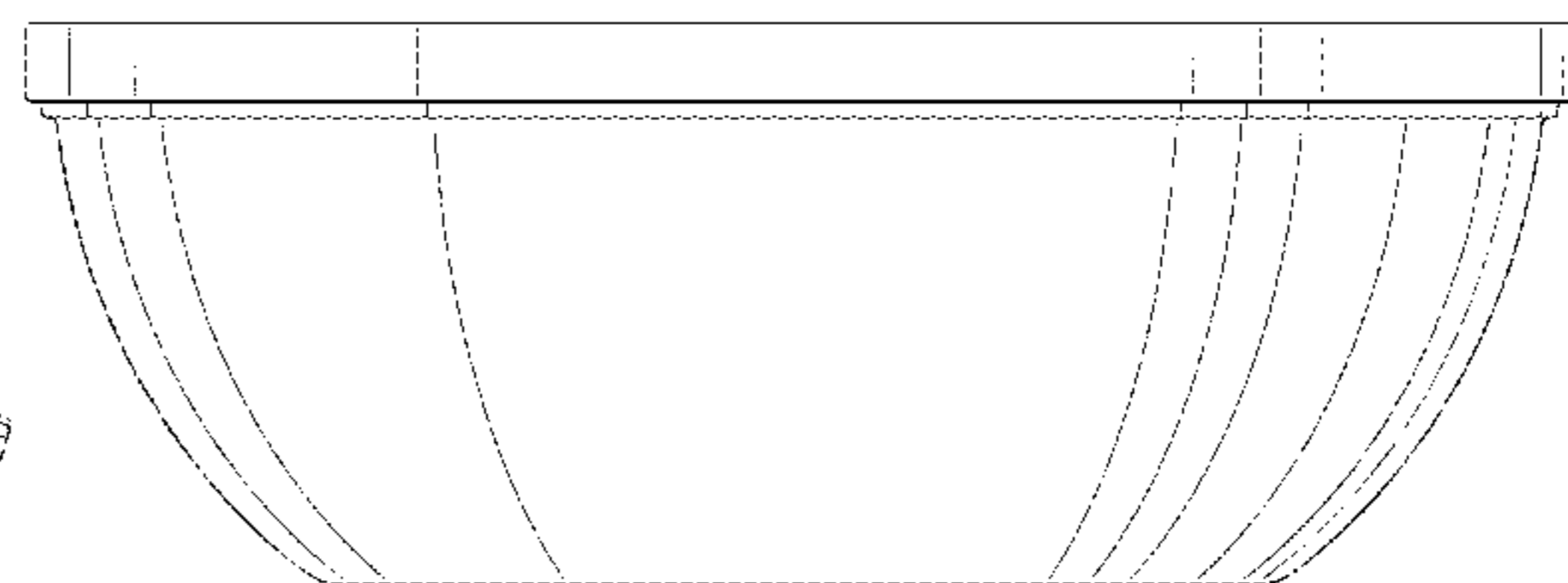
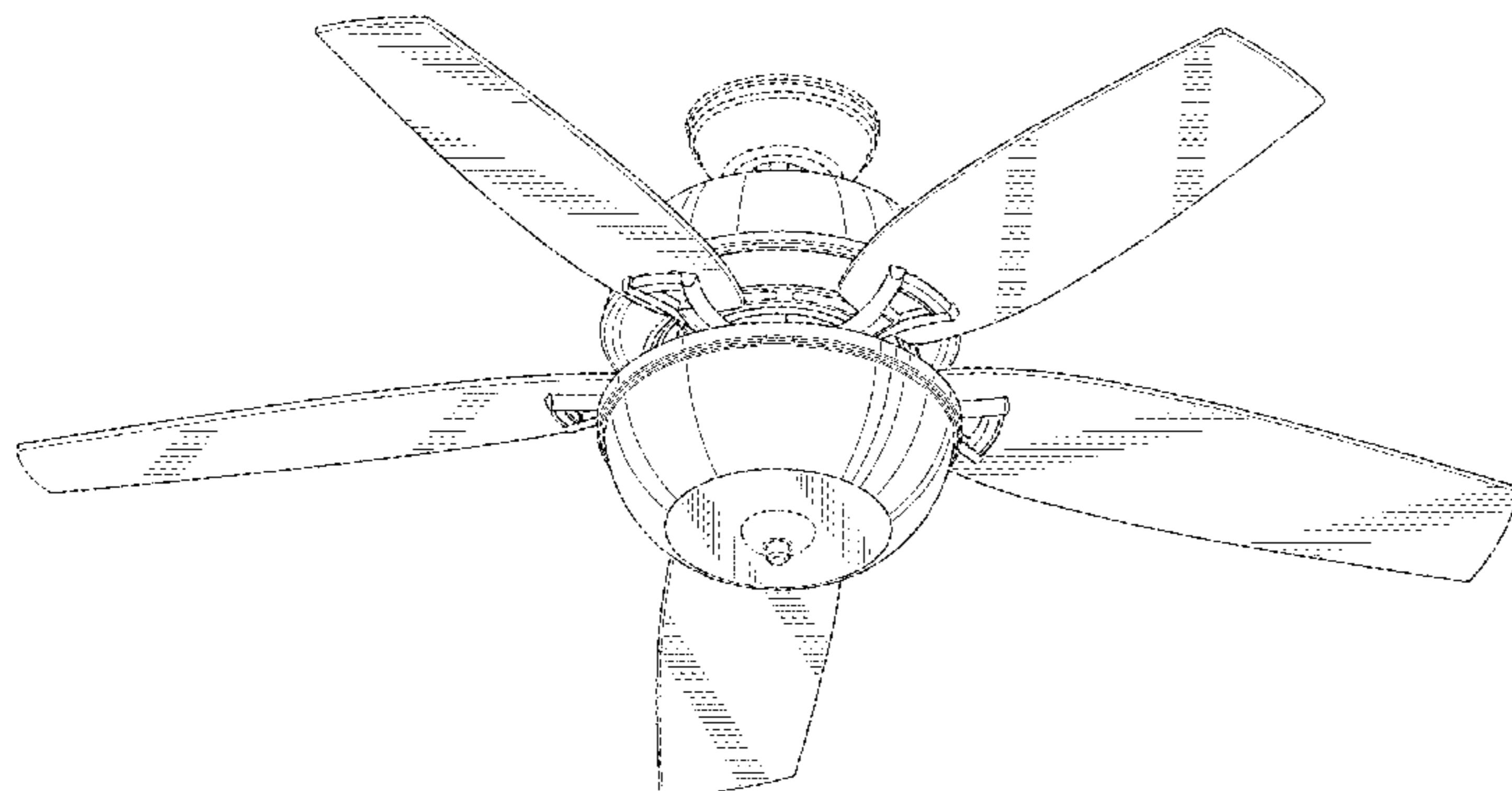
See application file for complete search history.

(56) **References Cited**

U.S. PATENT DOCUMENTS

D95,202 S * 4/1935 Glatthar et al. D26/88
D339,651 S * 9/1993 Vieyra D26/84
D353,904 S * 12/1994 Swanson D26/102

1 Claim, 5 Drawing Sheets



(56)

References Cited

U.S. PATENT DOCUMENTS

D562,961 S * 2/2008 Pickett D23/377
 D566,321 S * 4/2008 Pickett D26/128
 D567,429 S * 4/2008 Pickett D26/128
 D570,528 S * 6/2008 Thompson D26/89
 D572,815 S 7/2008 Hidalgo
 D588,300 S * 3/2009 Sabernig D26/86
 D594,540 S 6/2009 Pan
 D594,543 S 6/2009 Pan
 D598,533 S 8/2009 Smith
 D604,406 S 11/2009 Patton
 D607,138 S * 12/2009 Pickett D26/128
 D611,136 S 3/2010 Orozco
 D621,496 S 8/2010 Chen
 D625,403 S * 10/2010 Liu D23/377
 D627,870 S 11/2010 Wang
 D629,148 S * 12/2010 Chen D26/89
 D629,501 S * 12/2010 Liu D23/377
 D634,053 S * 3/2011 Guercio D26/89
 D646,824 S * 10/2011 Bembridge D26/67
 D663,455 S * 7/2012 Glasbrenner D26/59
 D671,202 S 11/2012 Searle
 D688,720 S * 8/2013 Yilin D16/203
 D689,236 S * 9/2013 Wang D26/59
 D710,489 S 8/2014 Shurtleff
 D710,988 S 8/2014 Pan
 D744,081 S 11/2015 Wang
 D747,509 S * 1/2016 Liang D26/110

D773,103 S * 11/2016 Recker D26/89
 D798,431 S * 9/2017 McRoberts D23/377
 D804,636 S * 12/2017 Guthrie D23/377
 D807,491 S * 1/2018 Haggar D23/377
 D810,912 S * 2/2018 McRoberts D23/377
 2014/0044548 A1 * 2/2014 Wang F04D 29/34
 416/214 R
 2015/0240824 A1 * 8/2015 Jones F04D 25/0693
 417/423.15
 2016/0111816 A1 * 4/2016 Walker F04D 25/0693
 417/423.7
 2017/0097148 A1 * 4/2017 Burns F21V 23/0485
 2017/0234319 A1 * 8/2017 Seccareccia F04D 25/088
 415/203

OTHER PUBLICATIONS

<http://www.hunterfan.com/Ceiling-Fans/Hartwell>, Item Specification for the Hunter Hartwell 46" Ceiling Fan Model No. 51067 New Bronze Finish 5 Roasted Oak blades included, accessed Mar. 7, 2016.
<http://www.kichler.com/products/product/fan-light-kit-mul-338509mul.aspx>, Item Specification for the Kichler Mul Fan Light Kit MUL Model No. 338509MUL (Multiple), accessed Mar. 7, 2016.
<http://www.kingoffans.com/#/products/ceilingFans>, Item Specification for the King of Fans Blackstone Model No. 70222, accessed Mar. 7, 2016.

* cited by examiner

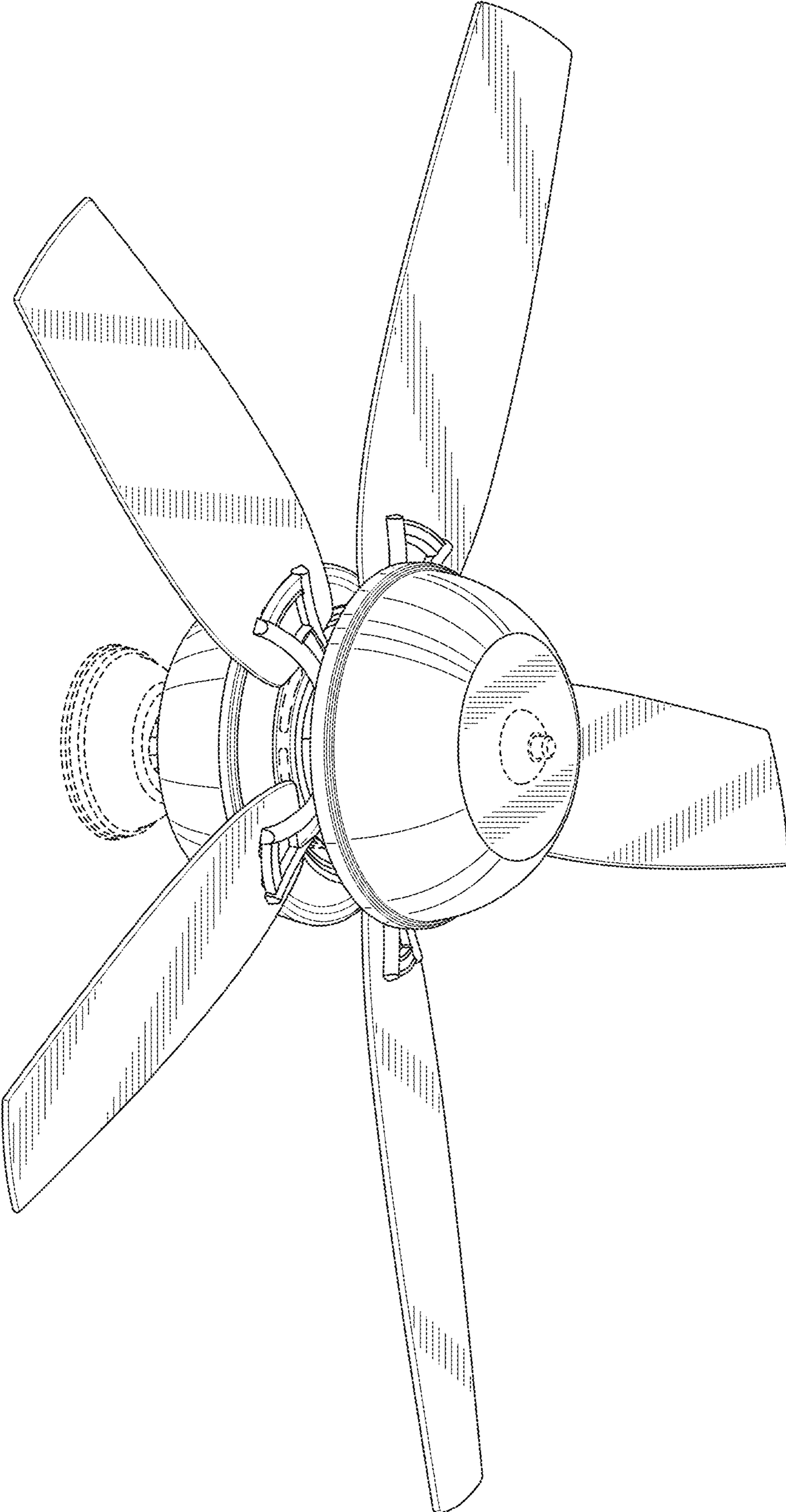


FIG. 1

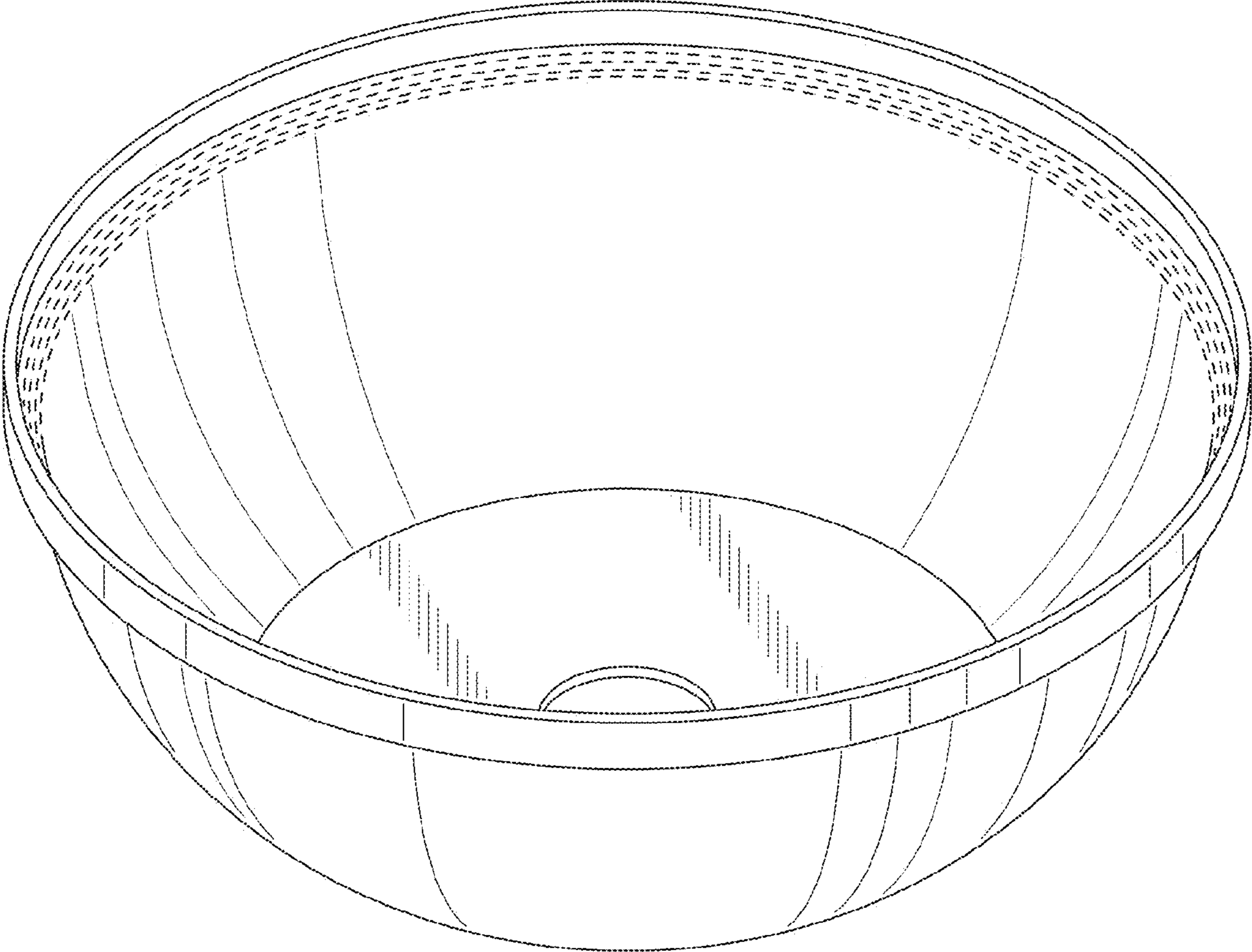


FIG.2

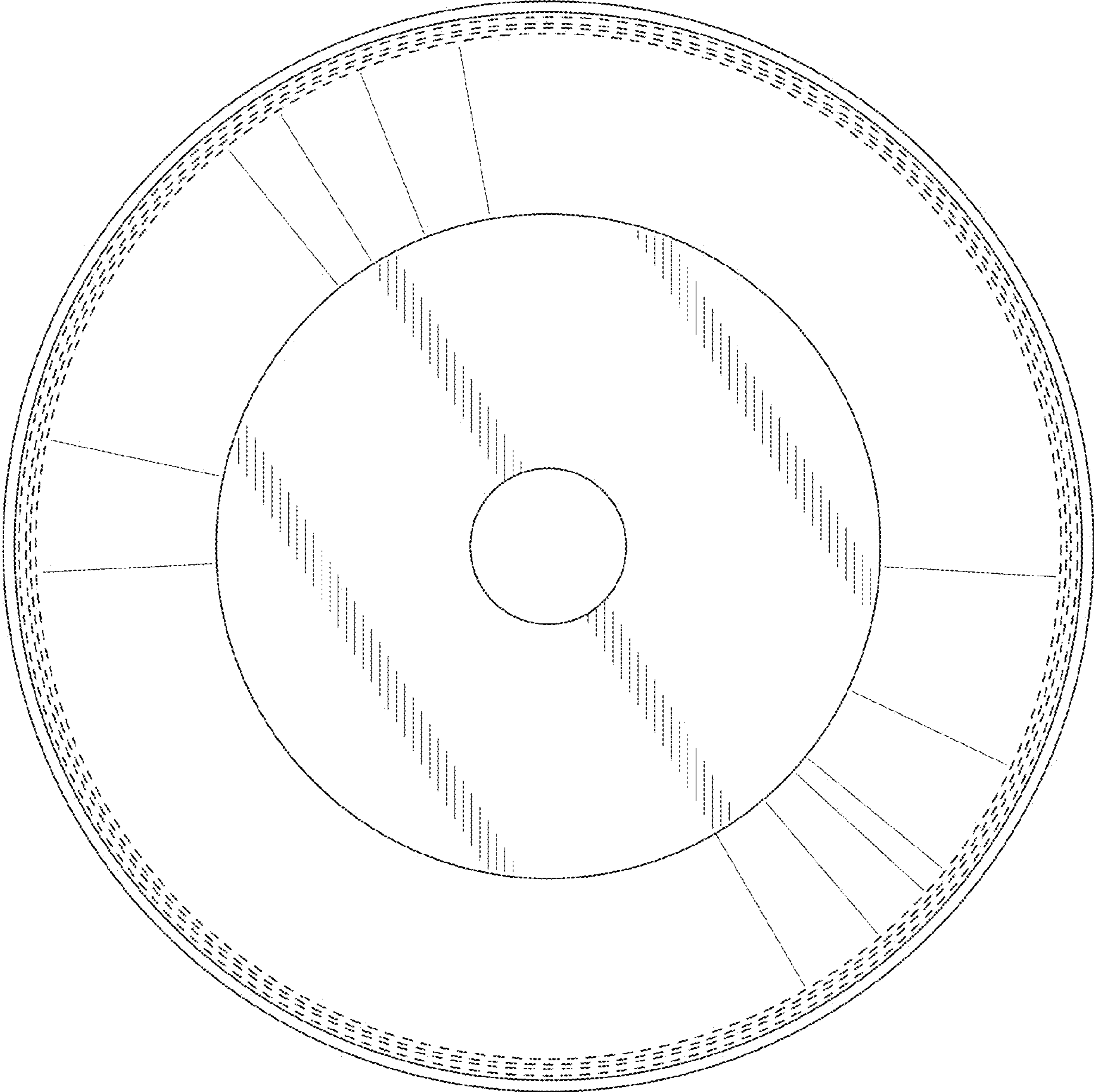


FIG.3

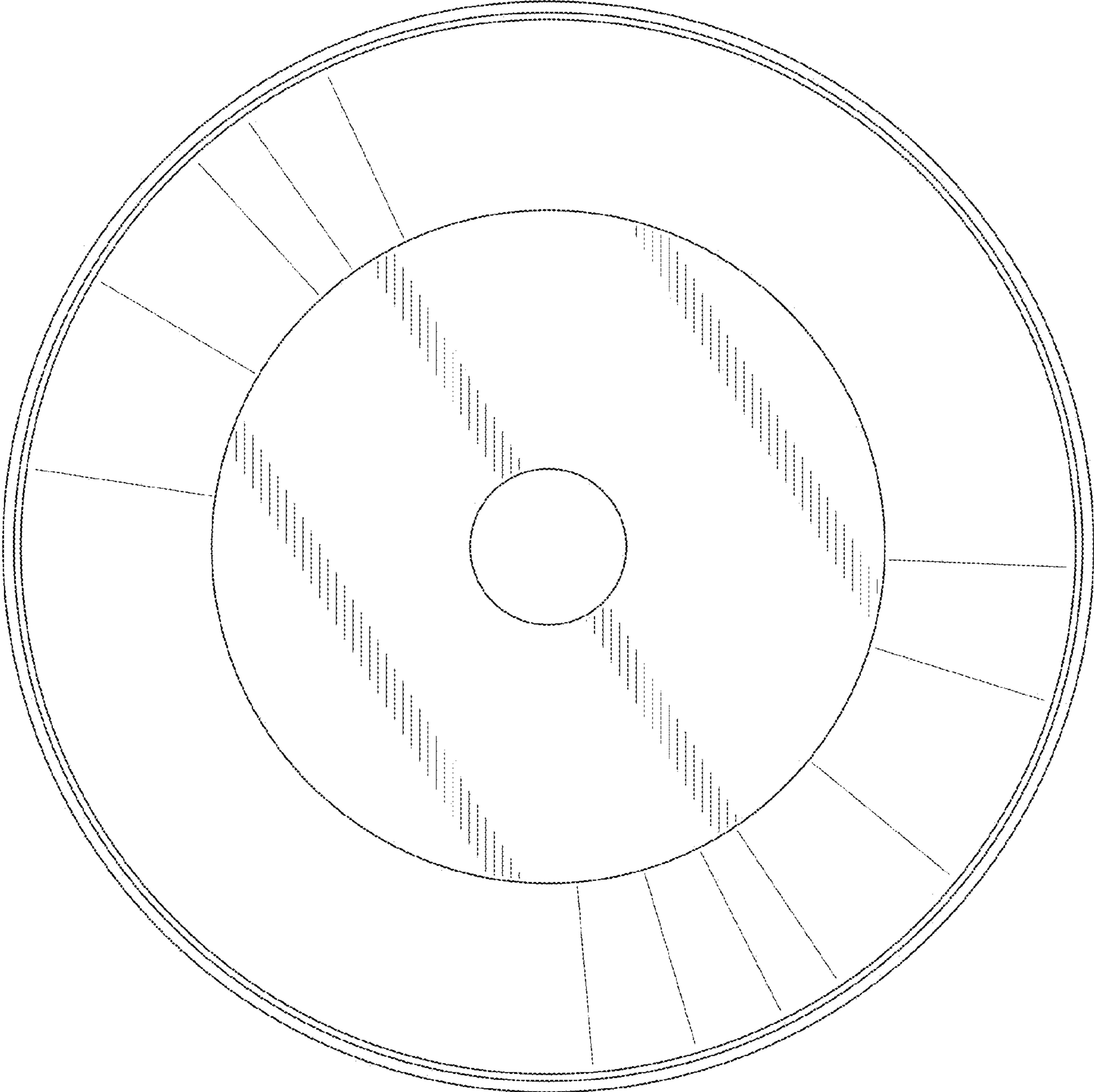


FIG.4

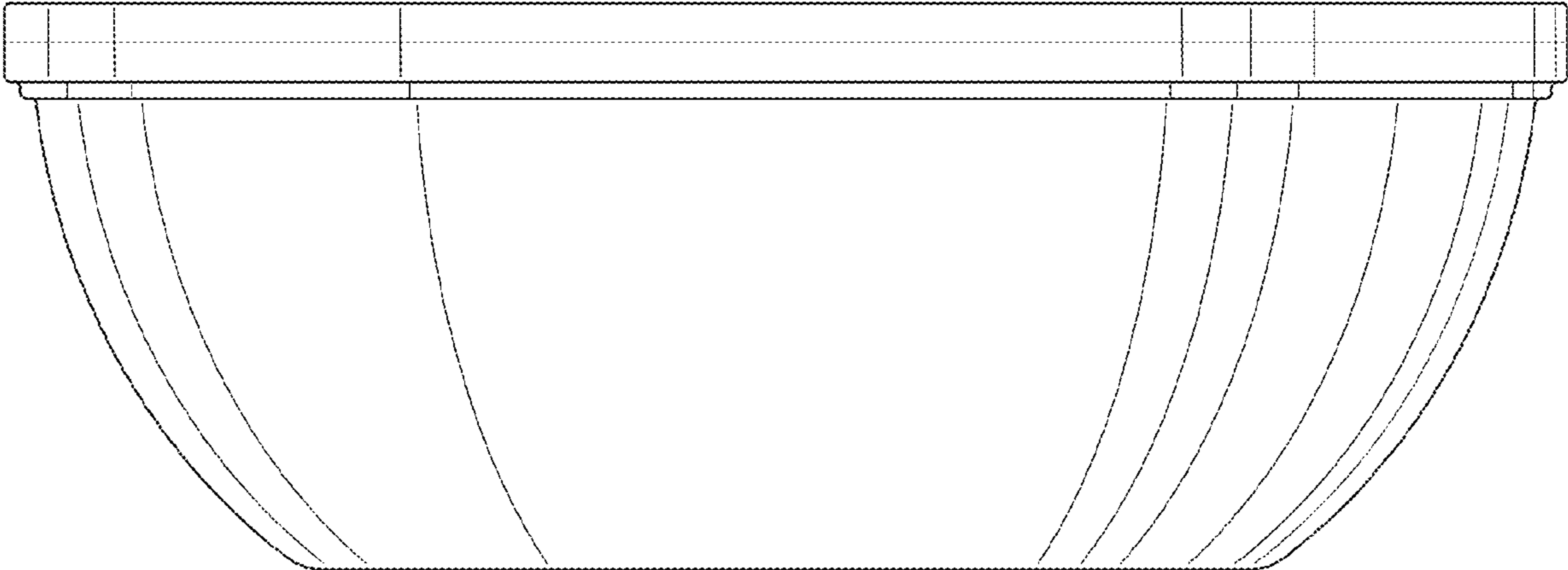


FIG. 5