



US00D935668S

(12) **United States Design Patent**  
**Zhang**

(10) **Patent No.:** **US D935,668 S**

(45) **Date of Patent:** **\*\* Nov. 9, 2021**

(54) **MAKEUP MIRROR WITH LIGHT**  
(71) Applicant: **Shenzhen Beibanqiu Network Technology Co., Ltd., Guangdong (CN)**

(72) Inventor: **Yuliang Zhang, Guangdong (CN)**

(73) Assignee: **Shenzhen Beibanqiu Network Technology Co., Ltd., Guangdong (CN)**

(\*\*) Term: **15 Years**

(21) Appl. No.: **29/765,330**

(22) Filed: **Jan. 7, 2021**

(51) **LOC (13) Cl.** ..... **26-04**

(52) **U.S. Cl.**  
USPC ..... **D26/56**

(58) **Field of Classification Search**  
USPC ..... D26/37-51, 56  
CPC ..... F21L 4/00; F21L 4/02; F21L 4/04; F21L 4/08; F21L 7/00; F21L 11/00; F21L 13/00; F21L 13/04; F21L 13/08; F21L 14/02; F21L 17/00; F21L 19/00; F21L 25/00

See application file for complete search history.

(56) **References Cited**

**U.S. PATENT DOCUMENTS**

2,731,749 A \* 1/1956 Tarzian ..... G09F 13/10  
40/716  
D220,055 S \* 3/1971 Holton ..... D26/56

D398,066 S \* 9/1998 Noel ..... D26/56  
D463,597 S \* 9/2002 Angulo ..... D26/56  
D470,616 S \* 2/2003 Lam ..... D26/56  
D812,384 S 3/2018 Zhu  
D853,736 S 7/2019 Long

\* cited by examiner

*Primary Examiner* — Marcus A Jackson

(74) *Attorney, Agent, or Firm* — ScienBiziP, P.C.

(57) **CLAIM**

The ornamental design for a makeup mirror with light, as shown and described.

**DESCRIPTION**

FIG. 1 is a front perspective view of a makeup mirror with light, showing my design.

FIG. 2 is a front elevation view thereof.

FIG. 3 is a rear elevation view thereof.

FIG. 4 is a left side elevation thereof.

FIG. 5 is a right side elevation thereof.

FIG. 6 is a top plan view thereof.

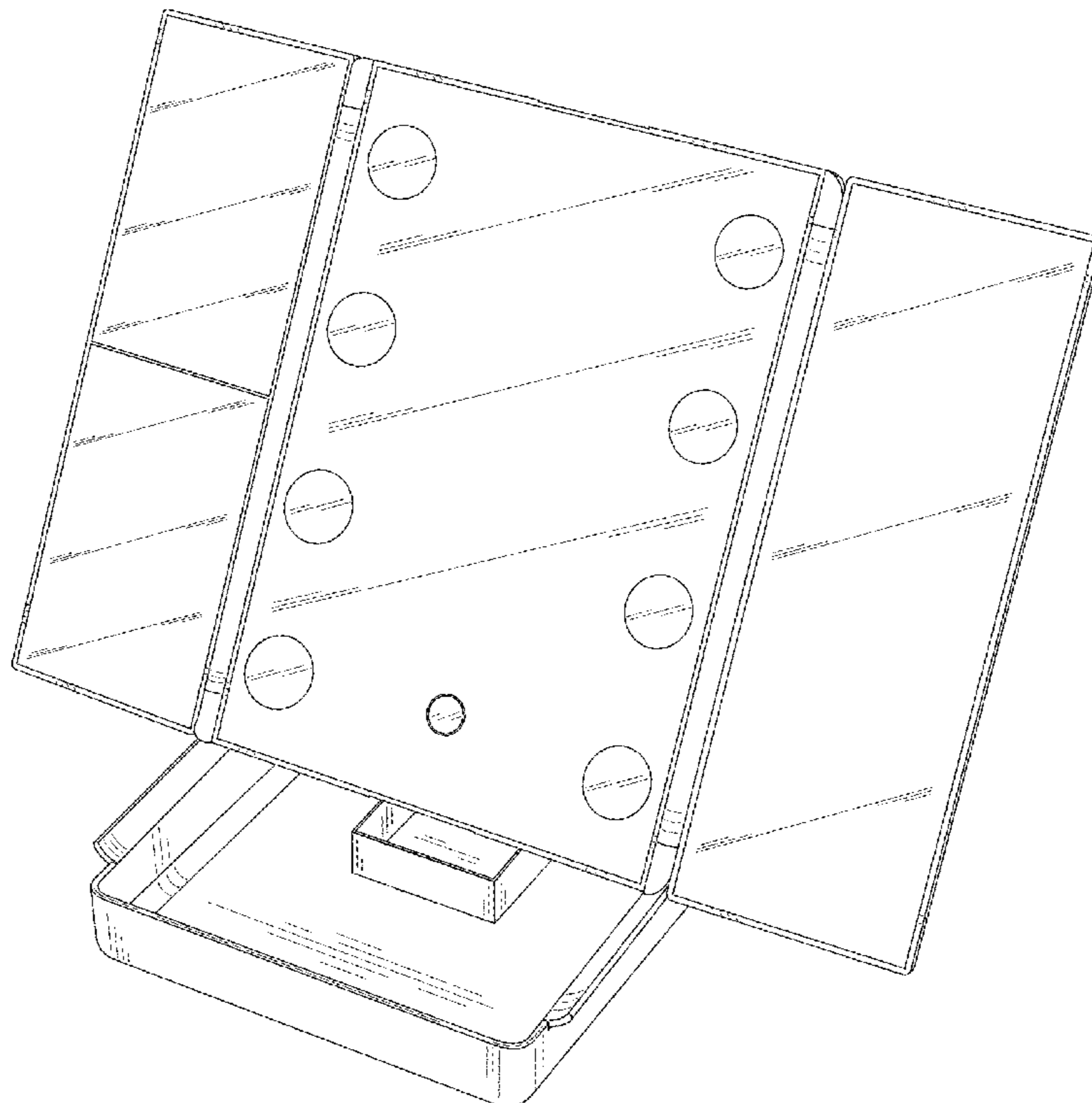
FIG. 7 is a bottom plan view thereof.

FIG. 8 is a perspective view of the makeup mirror with light wherein a surface of the makeup mirror with light is at an adjustable slope; and,

FIG. 9 is a perspective view of the makeup mirror with light of FIG. 1 wherein the surface of the makeup mirror with light is folded.

The broken lines shown in the drawings are included for the purpose of illustrating portions of the makeup mirror with light that form no part of the claimed design.

**1 Claim, 9 Drawing Sheets**



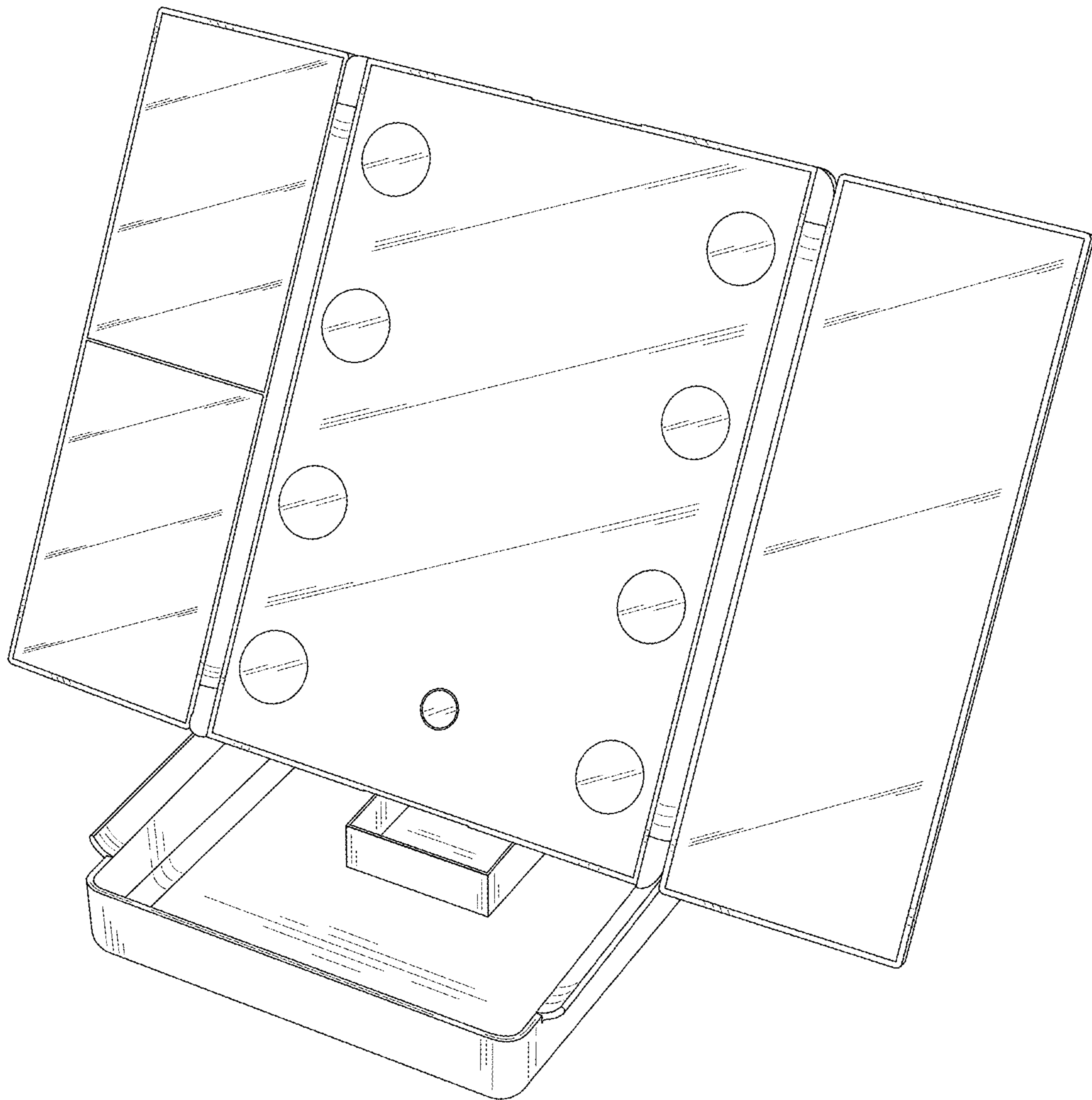


FIG. 1

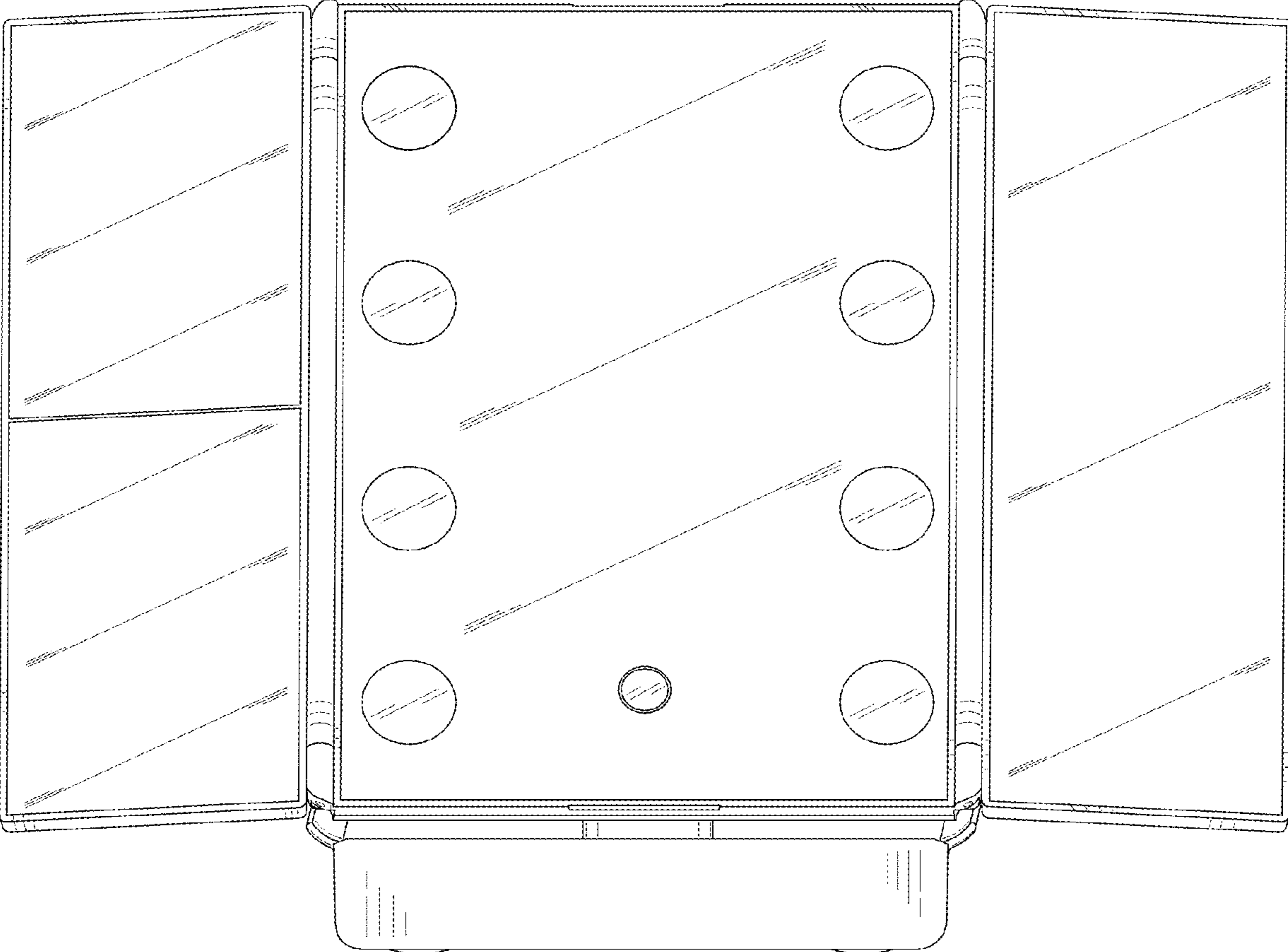


FIG.2

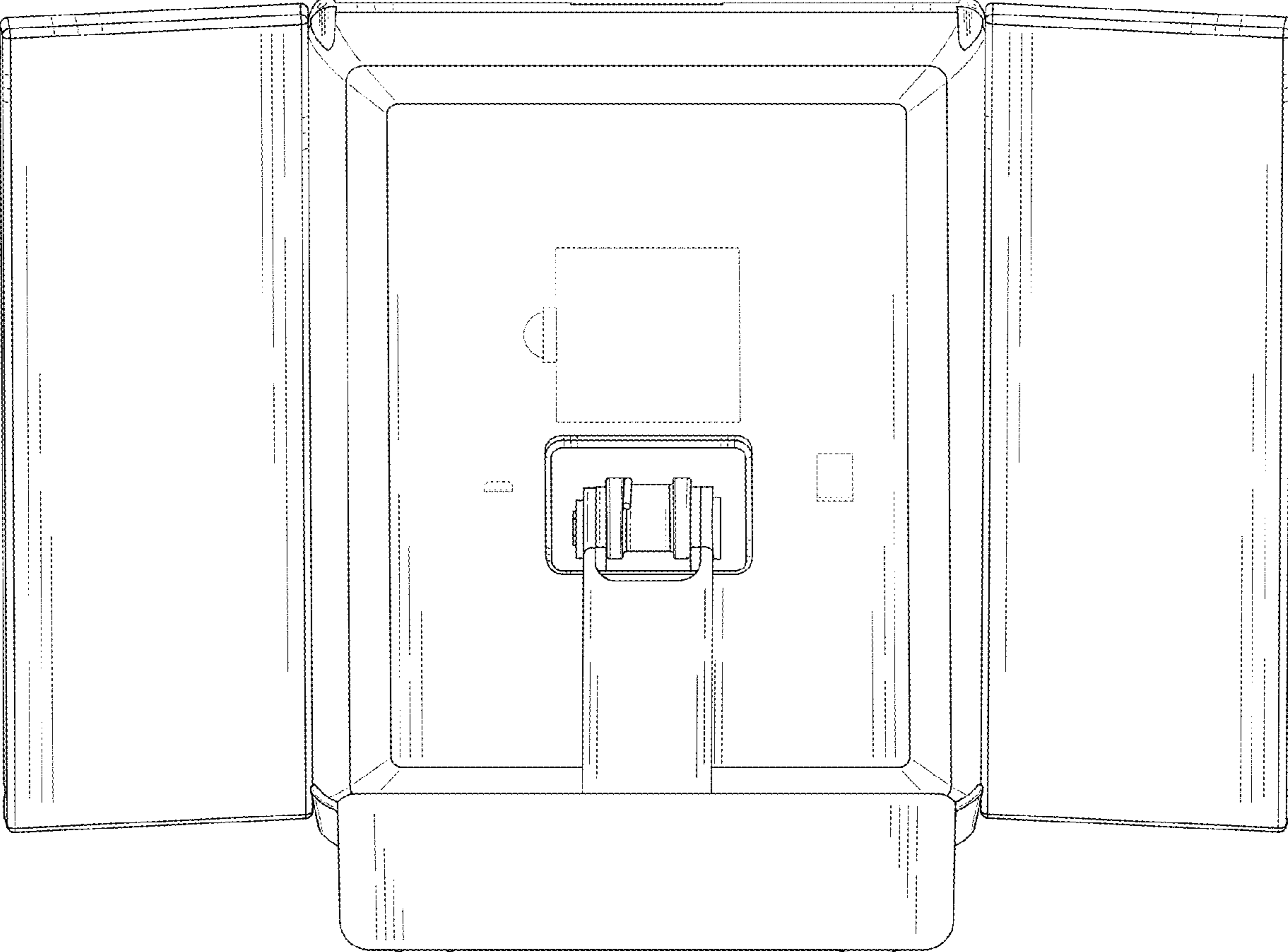


FIG.3

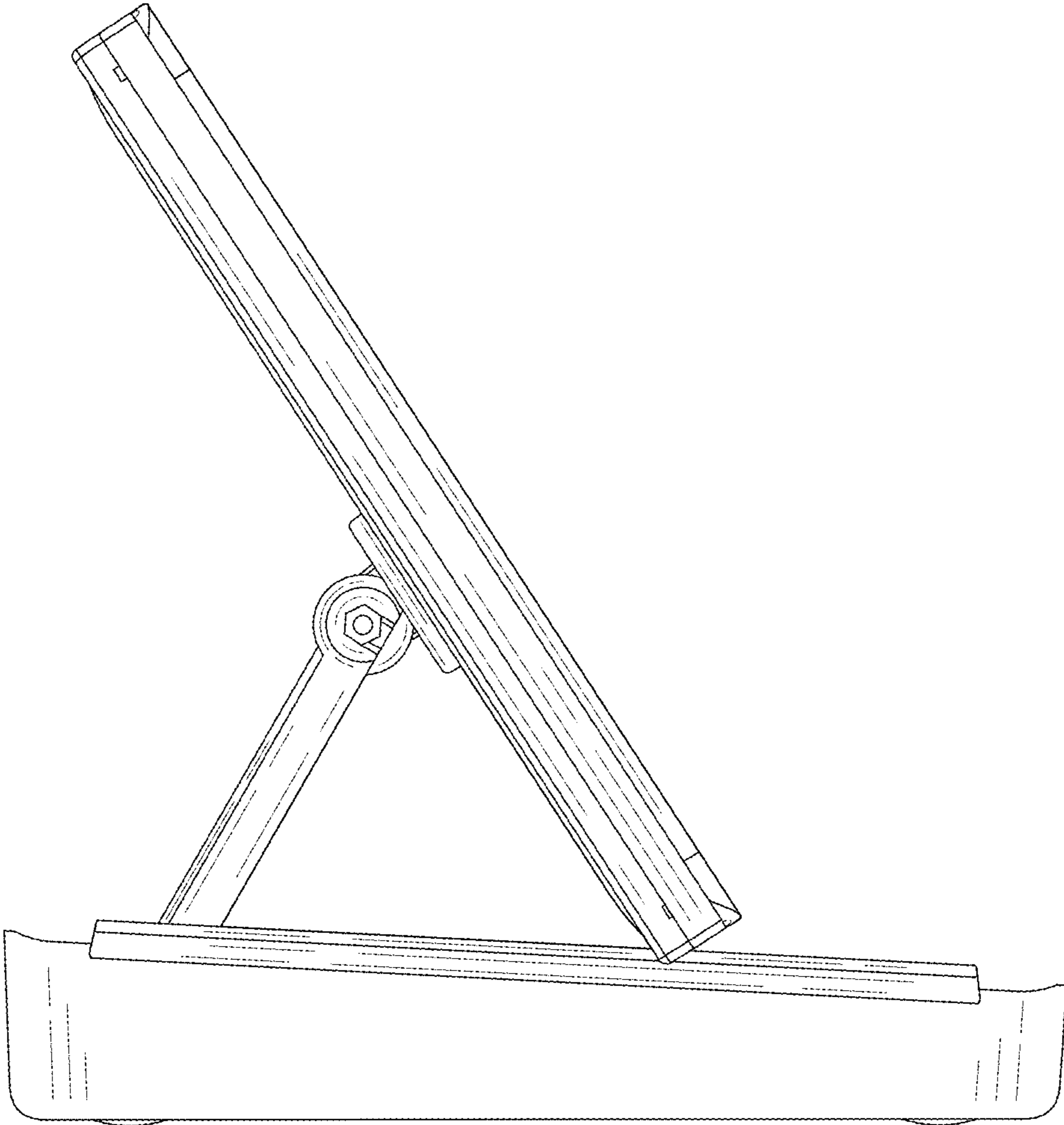


FIG.4

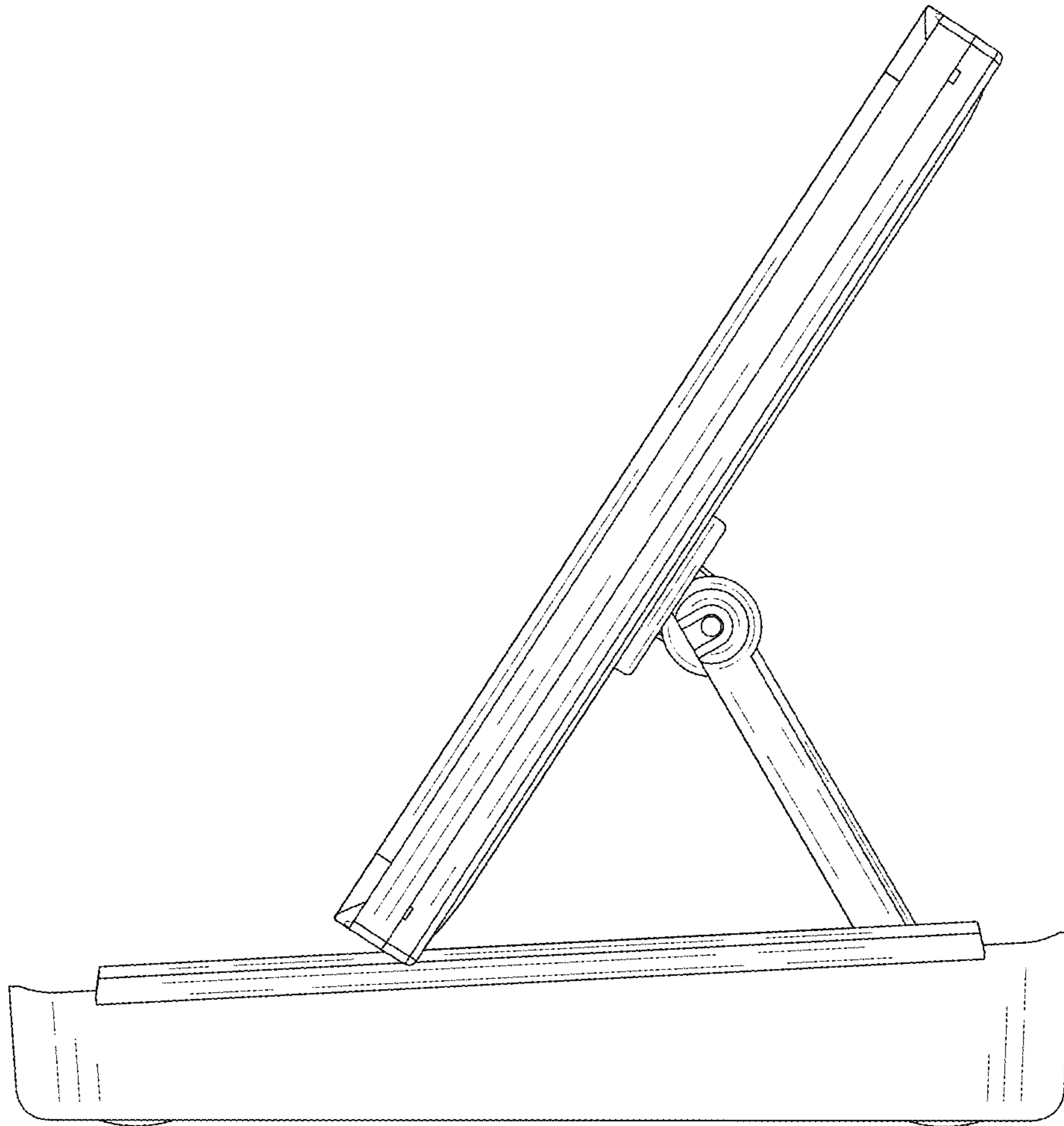


FIG.5

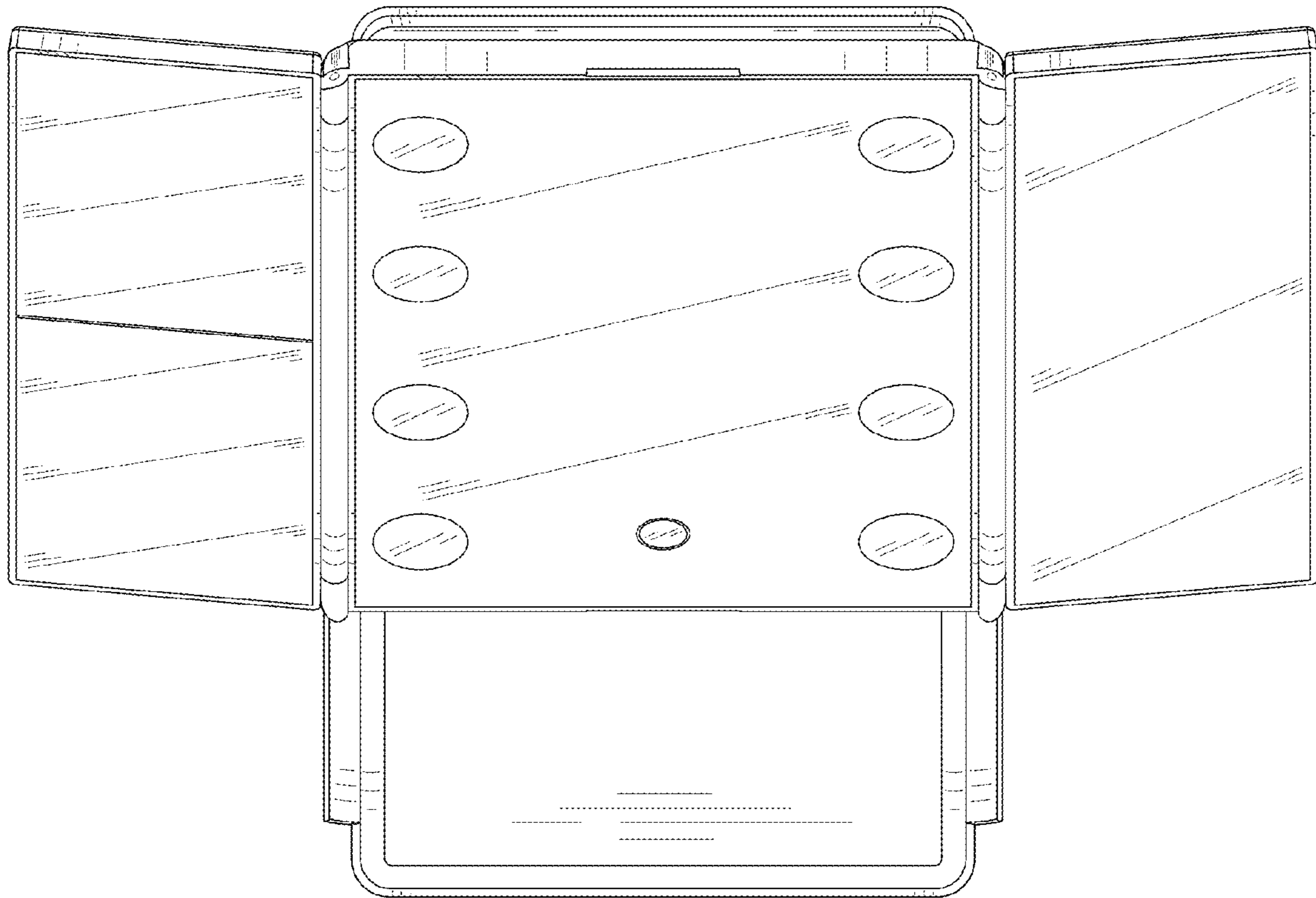


FIG.6

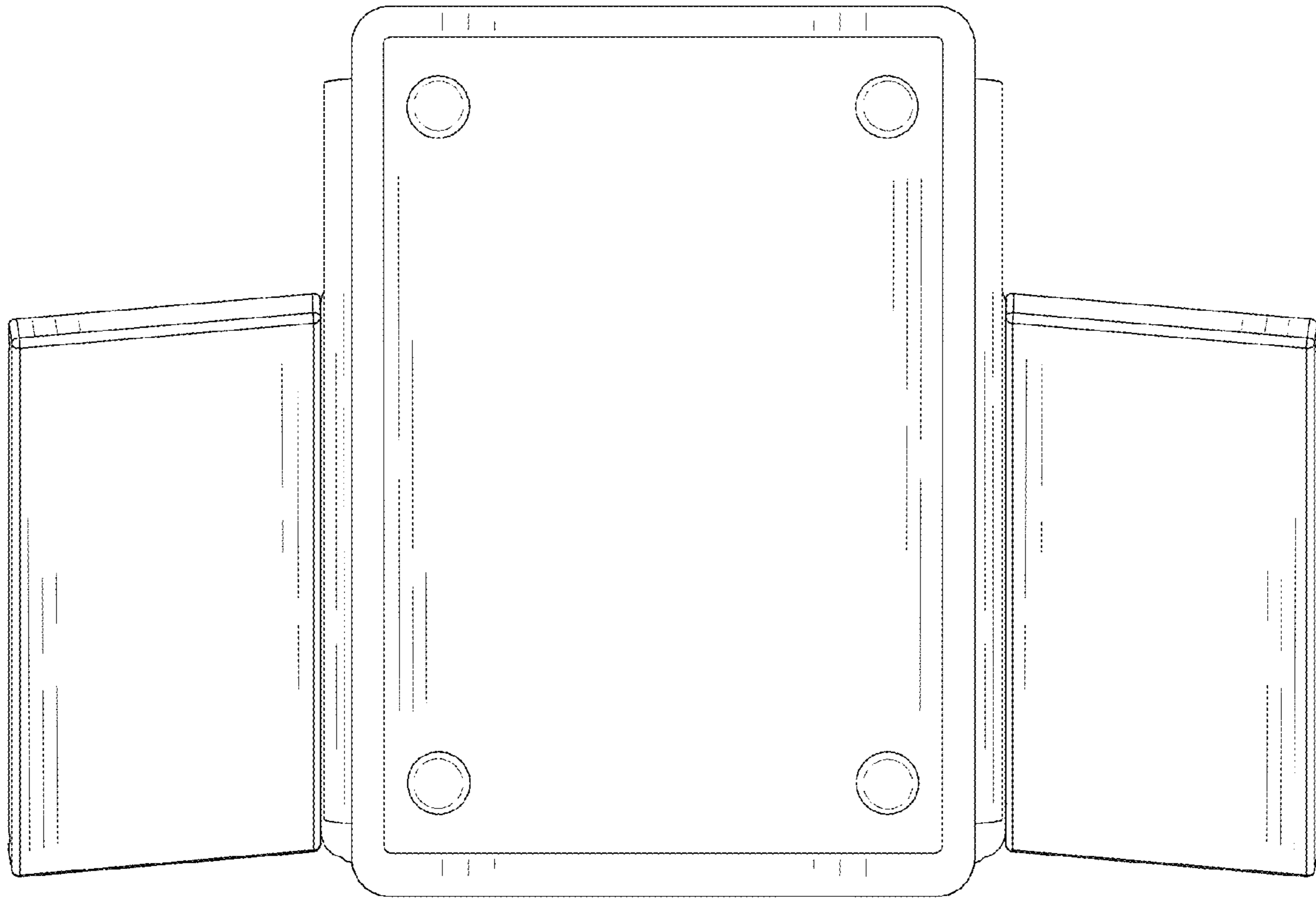


FIG.7



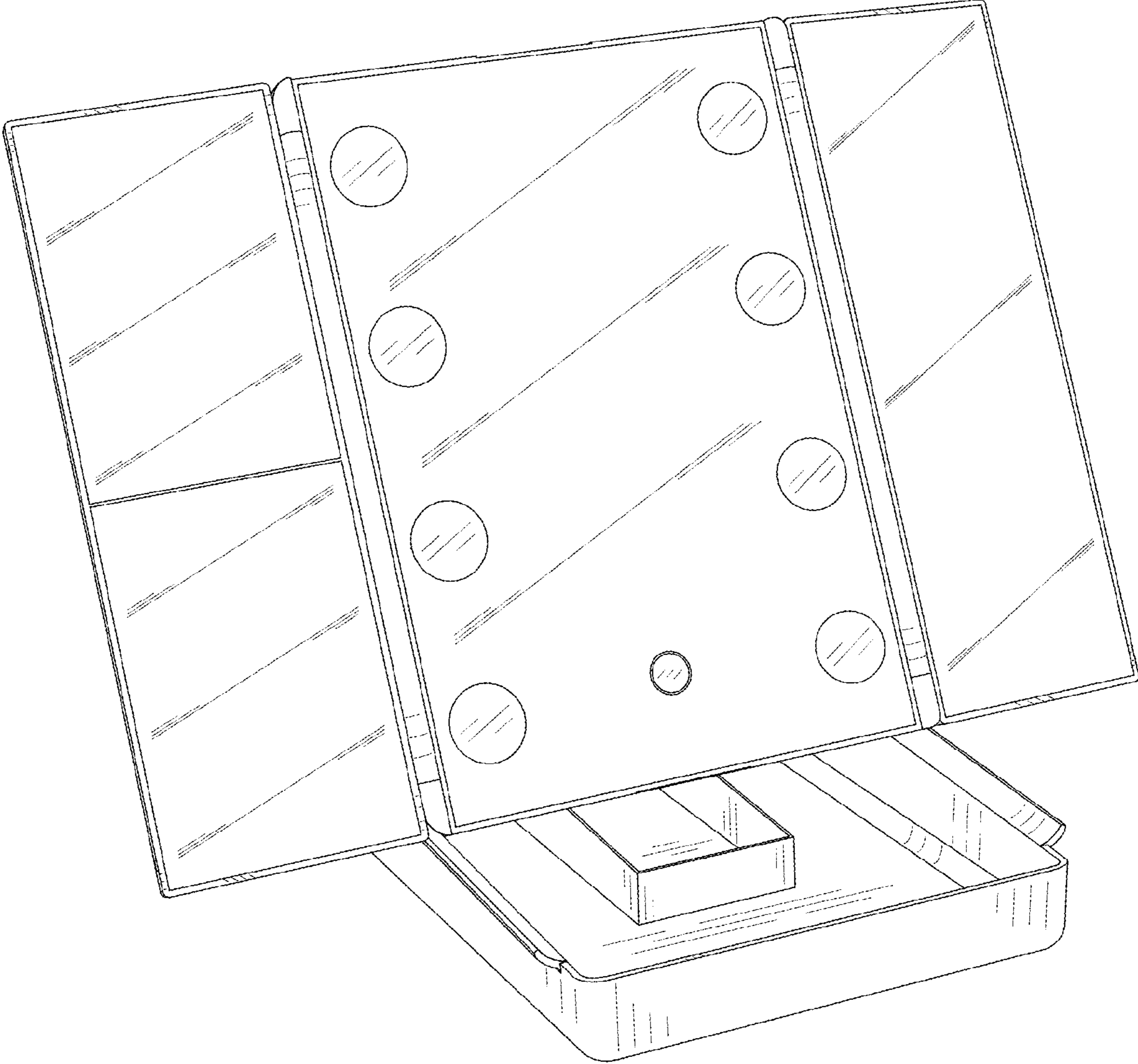


FIG.8

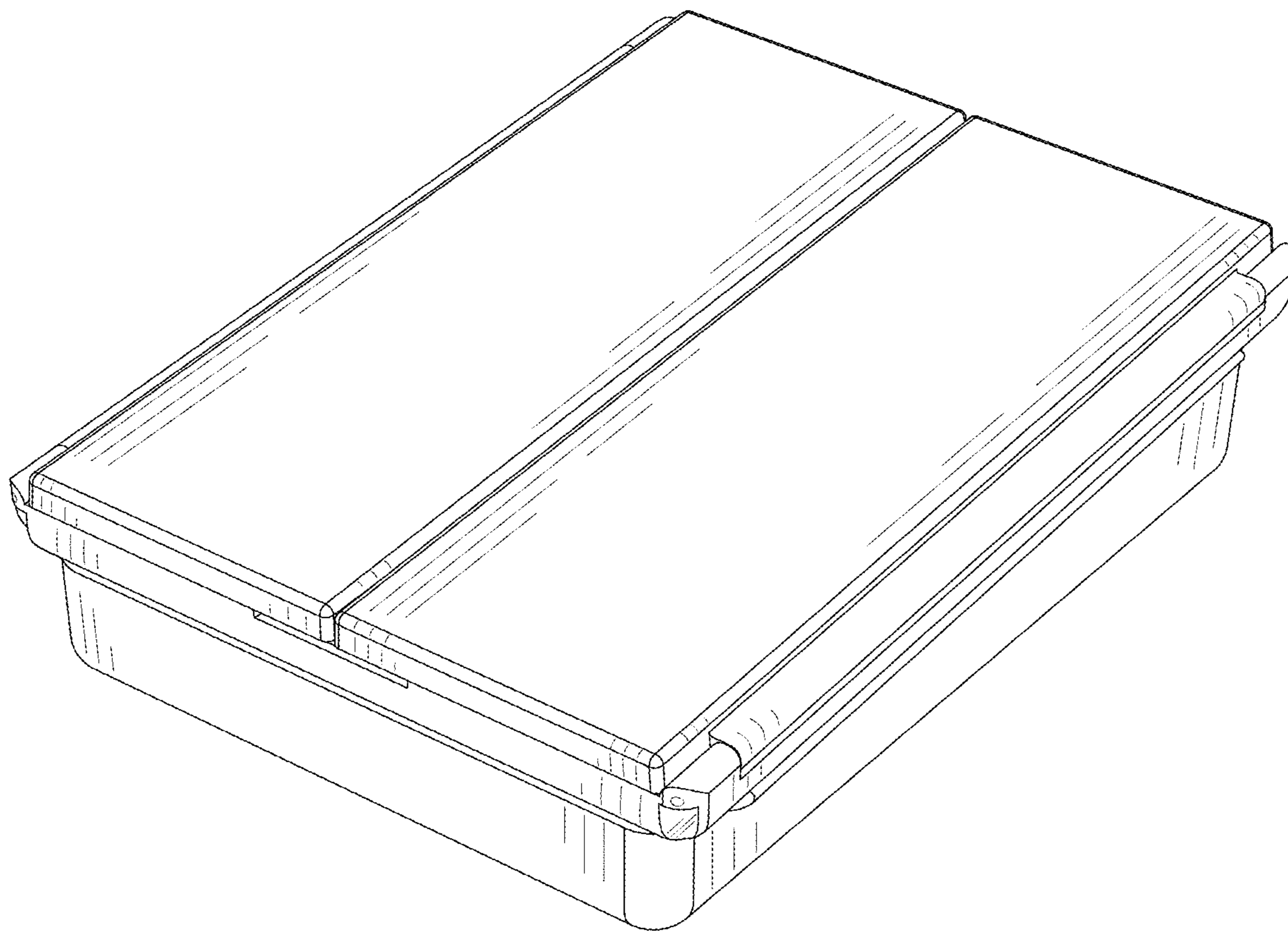


FIG.9