



US00D935667S

(12) **United States Design Patent** (10) **Patent No.:** **US D935,667 S**
Dai (45) **Date of Patent:** **** Nov. 9, 2021**

(54) **WIND CHIMES LAMP**

FOREIGN PATENT DOCUMENTS

(71) Applicant: **SHENZHEN DAIWEI TECHNOLOGY CO., LTD.**, Shenzhen (CN)

GB 6114584 * 1/2021

(72) Inventor: **Chunbin Dai**, Shenzhen (CN)

OTHER PUBLICATIONS

(73) Assignee: **SHENZHEN DAIWEI TECHNOLOGY CO., LTD.**, Shenzhen (CN)

LeiDrail Wind Chimes. By LeiDrail. Dated May 25, 2020. Found online [Jul. 26, 2021]. https://www.amazon.co.uk/LeiDrail-Windchime-Waterproof-Christmas-Decoration/dp/B0895WXP3L/ref=sr_1_9?dchild=1&keywords=solar+wind+chime&qid=1627316884&sr=8-9 (Year: 2020).*

(**) Term: **15 Years**

(Continued)

(21) Appl. No.: **29/771,242**

Primary Examiner — Marissa J Cash
Assistant Examiner — William B Melliar

(22) Filed: **Feb. 22, 2021**

(51) **LOC (13) Cl.** **26-05**

(57) **CLAIM**

(52) **U.S. Cl.**
USPC **D26/51; D10/116.1; D10/118.1**

The ornamental design for a wind chimes lamp, as shown and described.

(58) **Field of Classification Search**
USPC D26/24, 37-52, 57, 60, 63, 67-68, D26/72-73, 81, 88-90, 113, 118-119, D26/123-124, 138; D21/465, 467; D11/141; D10/116.1, 118.1

CPC F21Y 2115/10; F21Y 2103/10; F21Y 2113/13; F21Y 2105/10; F21Y 2105/12; F21Y 2105/00; F21Y 2105/16; F21Y 2103/00; F21Y 2103/33; F21Y 2105/18; F21Y 2107/90; F21Y 2113/10; F21Y 2113/17; F21Y 2101/00; F21Y 2103/20; F21Y 2103/37; F21Y 2107/40; F21Y 2113/20; F21Y 2115/15

See application file for complete search history.

DESCRIPTION

FIG. 1 is a perspective view of a wind chimes lamp showing my new design;
FIG. 2 is another perspective view thereof;
FIG. 3 is a front elevational view thereof;
FIG. 4 is a rear elevational view thereof;
FIG. 5 is a left side elevational view thereof;
FIG. 6 is a right side elevational view thereof;
FIG. 7 is a top plan view thereof;
FIG. 8 is a bottom plan view thereof;
FIG. 9 is an enlarged view of portion 9 shown in FIG. 1;
FIG. 10 is an enlarged top plan view of the wind chimes lamp; and,
FIG. 11 is an enlarged bottom plan view of the wind chimes lamp.

(56) **References Cited**

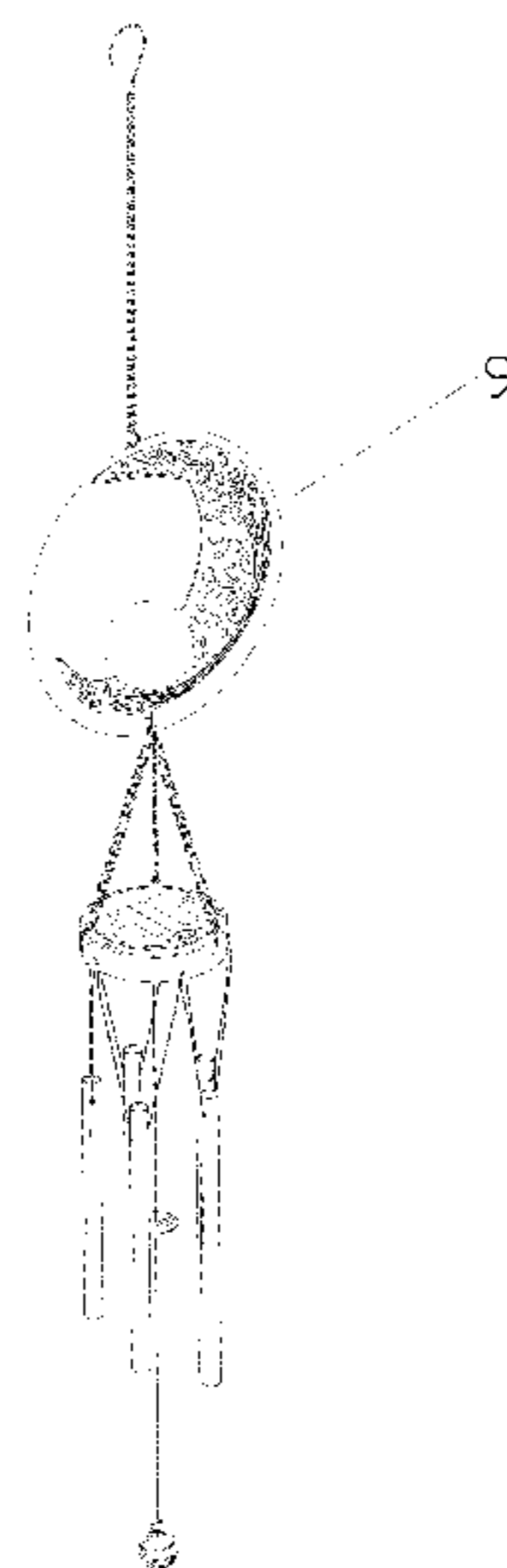
U.S. PATENT DOCUMENTS

D404,671 S * 1/1999 Stannard D10/116.1
D404,672 S * 1/1999 Stannard D10/118.1
D405,709 S * 2/1999 Stannard D10/118.1
D414,283 S * 9/1999 Gibson D26/10
D431,875 S * 10/2000 Gutierrez D23/201

The evenly spaced broken lines in the drawings depict portions of the wind chimes lamp that form no part of the claimed design. The long dash-short dash lines surrounding the detail views in FIGS. 1 and 9 are for annotative purposes only and form no part thereof.

(Continued)

1 Claim, 11 Drawing Sheets



(56)

References Cited

U.S. PATENT DOCUMENTS

9,024,161 B1 * 5/2015 Strong G10K 1/26
84/403
D836,813 S * 12/2018 Hsu D26/68
D887,061 S * 6/2020 Li D26/67
D910,472 S * 2/2021 Xu D10/116.1
D923,229 S * 6/2021 Liao D26/67
2004/0083876 A1 * 5/2004 Maegli G10K 1/07
84/410
2007/0019404 A1 * 1/2007 Chen F21S 9/037
362/192

OTHER PUBLICATIONS

Banbu Solar Wind Chimes. By Banbu. Dated Feb. 6, 2021. Found online [Jul. 26, 2021]. <https://www.amazon.com/dp/B08Q324M98/> (Year: 2021).*

* cited by examiner

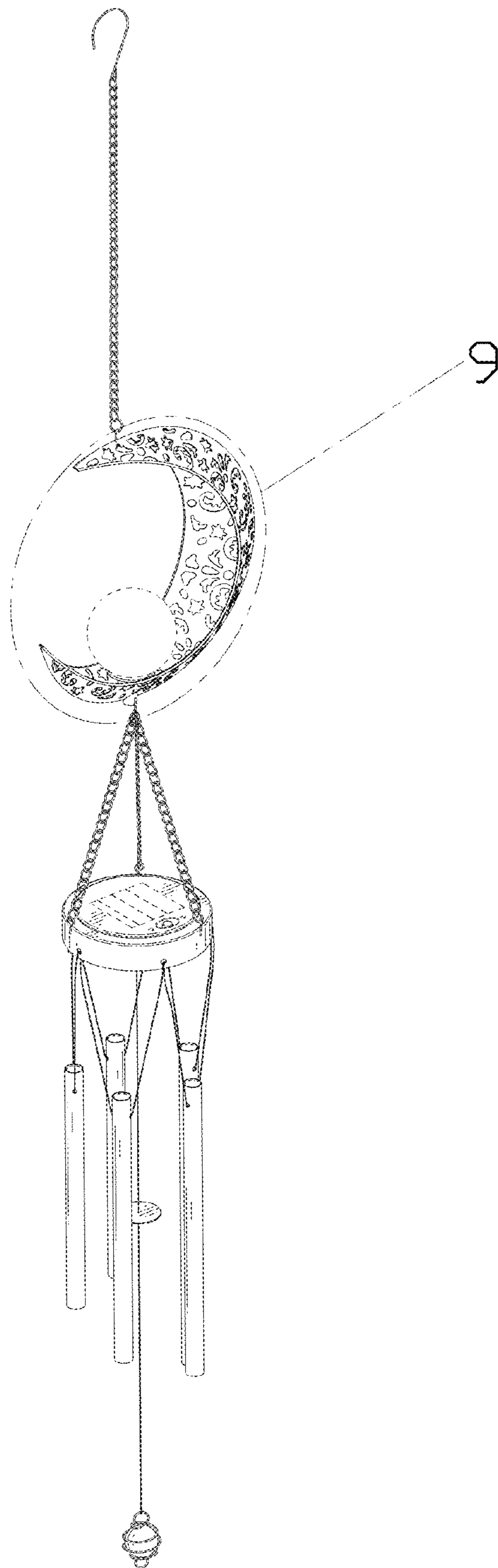


FIG. 1

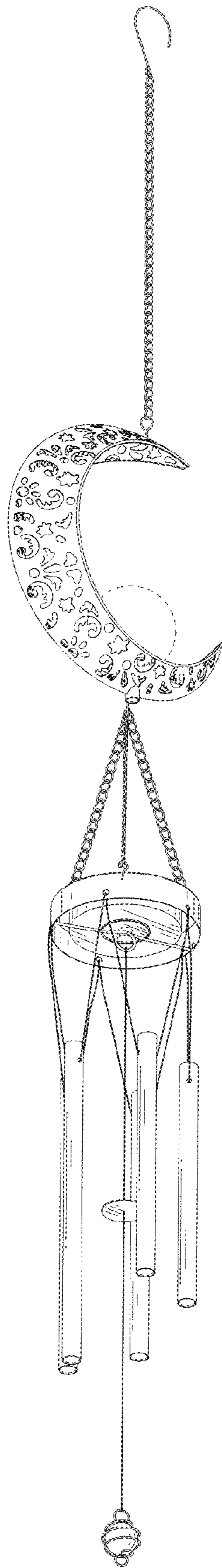


FIG. 2

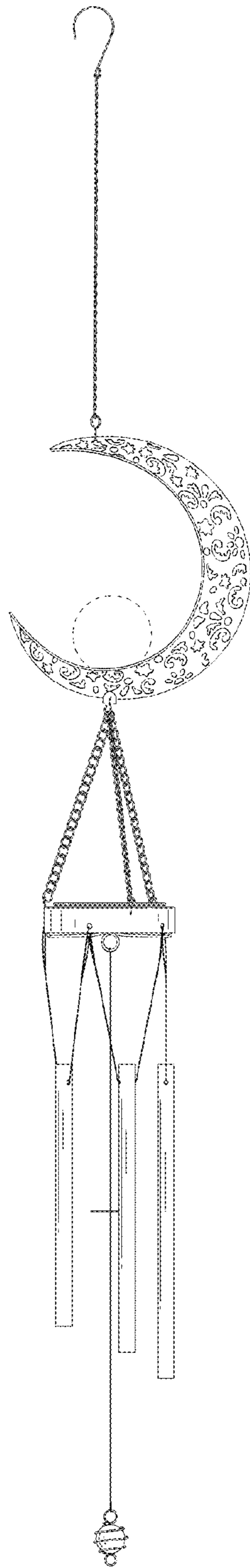


FIG. 3

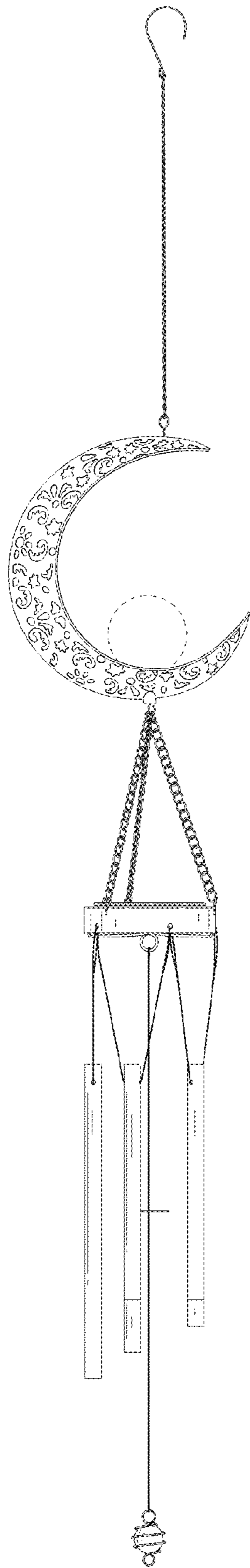


FIG. 4

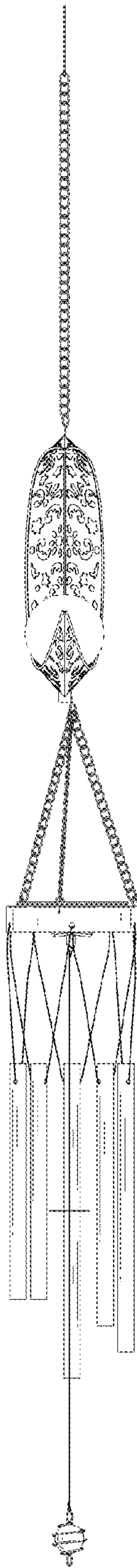


FIG. 5

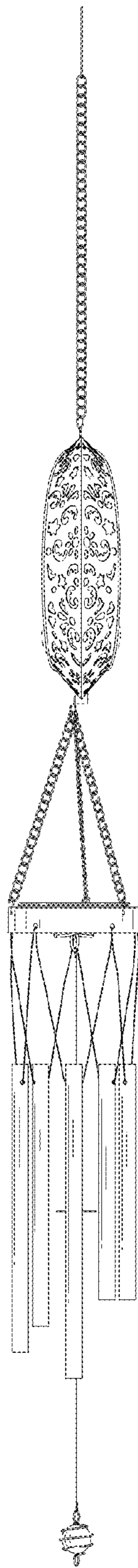


FIG. 6

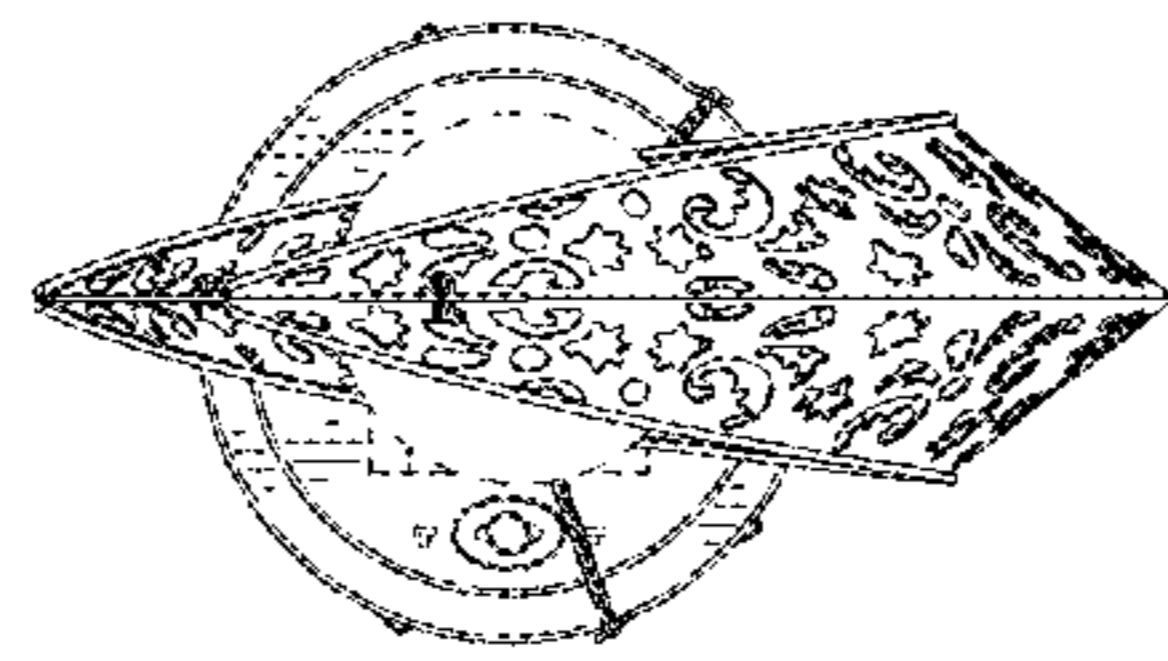


FIG. 7

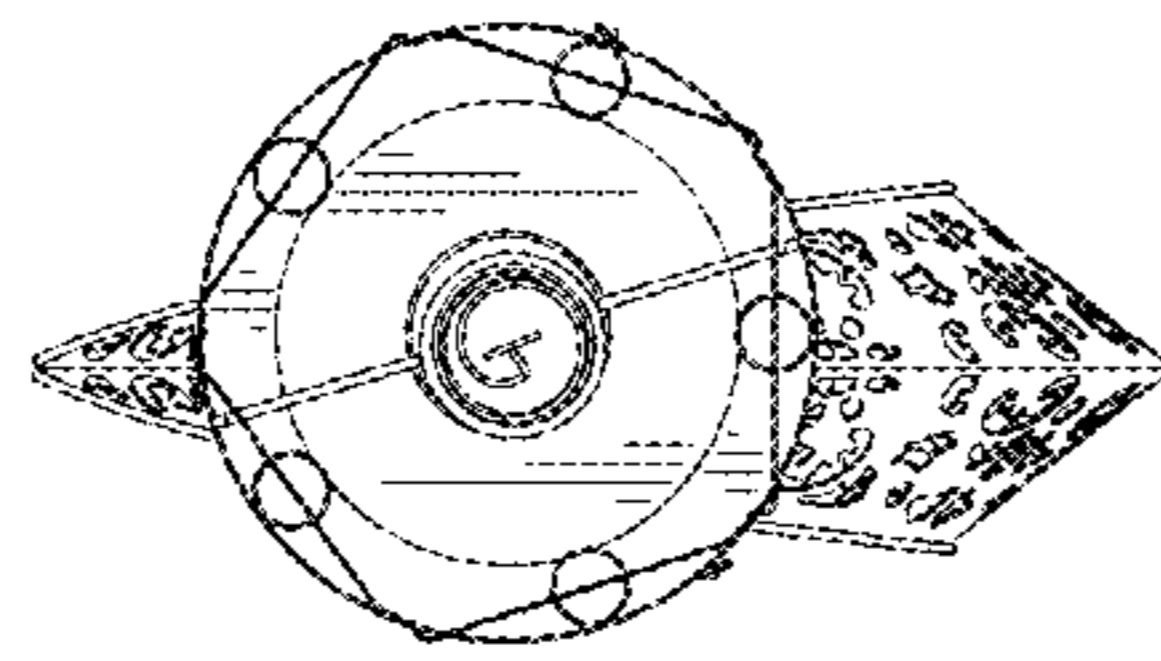


FIG. 8

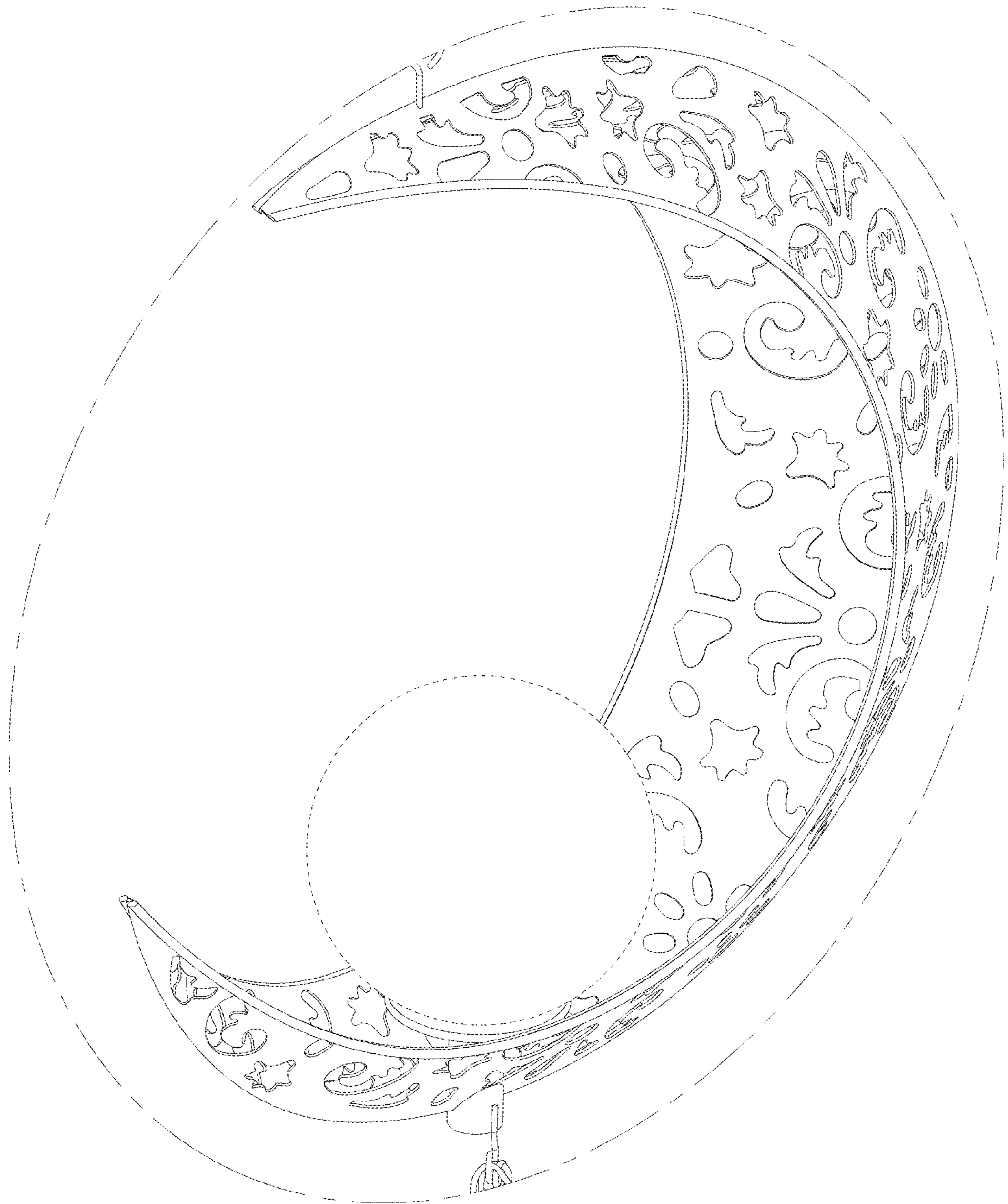


FIG. 9

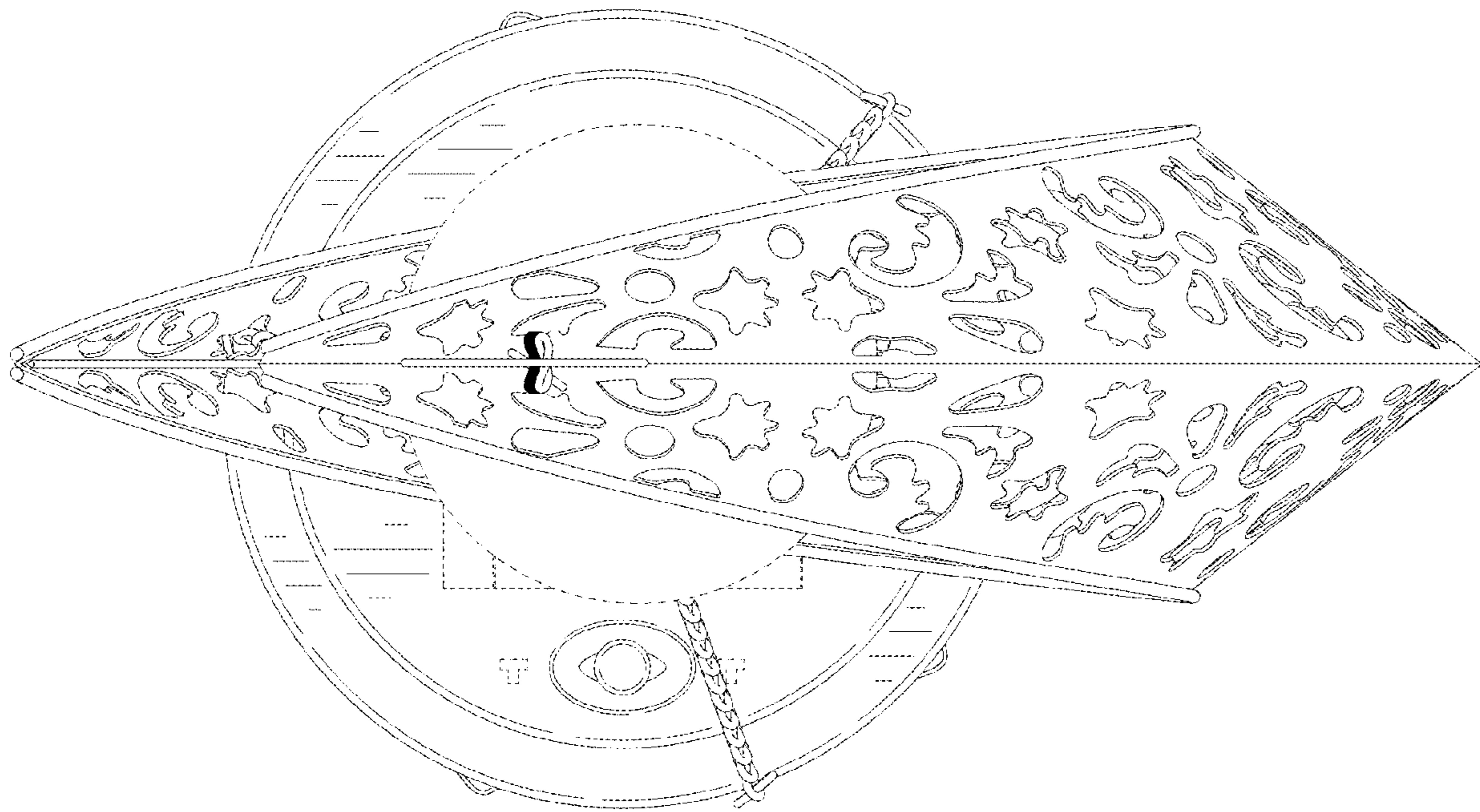


FIG. 10

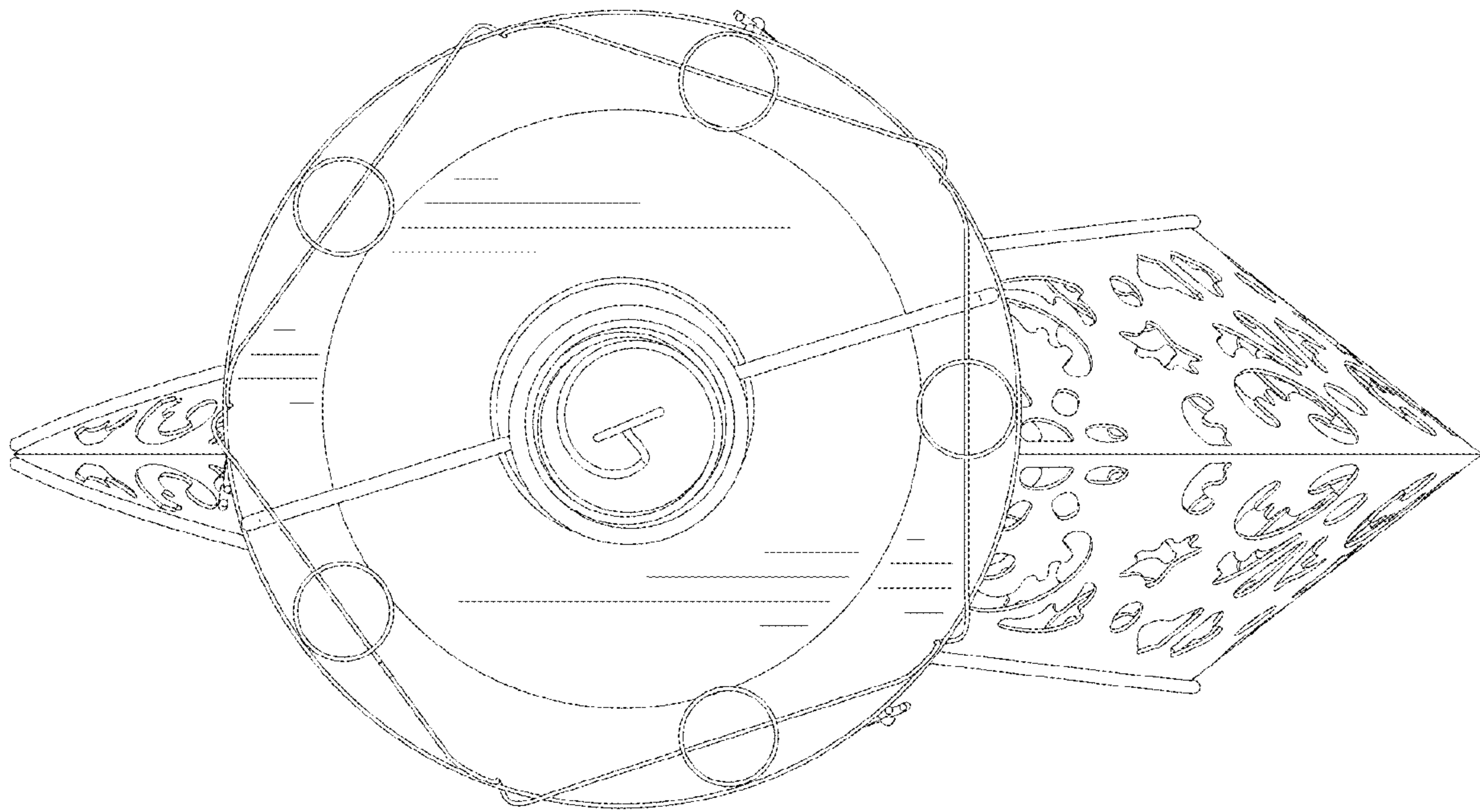


FIG. 11