



US00D935665S

(12) **United States Design Patent**  
**Heit**

(10) **Patent No.:** **US D935,665 S**

(45) **Date of Patent:** **\*\* Nov. 9, 2021**

- (54) **LED DRINK WRAP**
- (71) Applicant: **NITE IZE, INC.**, Boulder, CO (US)
- (72) Inventor: **Joshua Heit**, Westminster, CO (US)
- (73) Assignee: **Nite Ize, Inc.**, Boulder, CO (US)
- (\*\*) Term: **15 Years**
- (21) Appl. No.: **29/694,858**
- (22) Filed: **Jun. 13, 2019**

**Related U.S. Application Data**

- (63) Continuation-in-part of application No. 29/650,704, filed on Jun. 8, 2018.
- (51) **LOC (13) Cl.** ..... **26-05**
- (52) **U.S. Cl.**  
USPC ..... **D26/51**
- (58) **Field of Classification Search**  
USPC ..... D26/37-51, 63  
CPC ..... F21L 2003/00; F21L 4/005; F21L 4/025;  
F21L 4/027; F21L 4/04; F21L 4/08; F21L  
13/00; F21L 13/08; F21L 14/02; F21L  
19/00; F21L 2/00; F21L 4/00-4/085;  
F21L 15/00-15/14; F21L 2001/00; F21L  
2005/00; F21L 25/00  
See application file for complete search history.

(56) **References Cited**

**U.S. PATENT DOCUMENTS**

- 4,534,354 A \* 8/1985 Bonner, Jr. .... A41D 13/0568  
607/108
- D531,460 S \* 11/2006 McIntosh ..... D7/624.2
- D633,541 S \* 3/2011 Khubani ..... D16/135
- D648,185 S \* 11/2011 Sanders ..... D7/624.2
- D657,202 S \* 4/2012 Sanders ..... D7/624.2
- D664,812 S \* 8/2012 Bickert ..... D7/624.2
- D699,376 S \* 2/2014 Kim ..... D26/37

- D704,005 S \* 5/2014 Marshall ..... D7/624.2
- D708,483 S \* 7/2014 Gut ..... D7/624.2
- D750,304 S \* 2/2016 Khayat ..... D26/38
- D789,754 S \* 6/2017 Allan ..... D7/619.1
- D826,645 S \* 8/2018 Walker ..... D7/607

(Continued)

**FOREIGN PATENT DOCUMENTS**

CN 202302948 U 7/2012

**OTHER PUBLICATIONS**

International Search Report and Written Opinion dated Jan. 31, 2020 issued in related PCT App. No. PCT/US2019/063792 (12 pages).

*Primary Examiner* — Michelle E. Wilson

(74) *Attorney, Agent, or Firm* — Haynes and Boone, LLP

(57) **CLAIM**

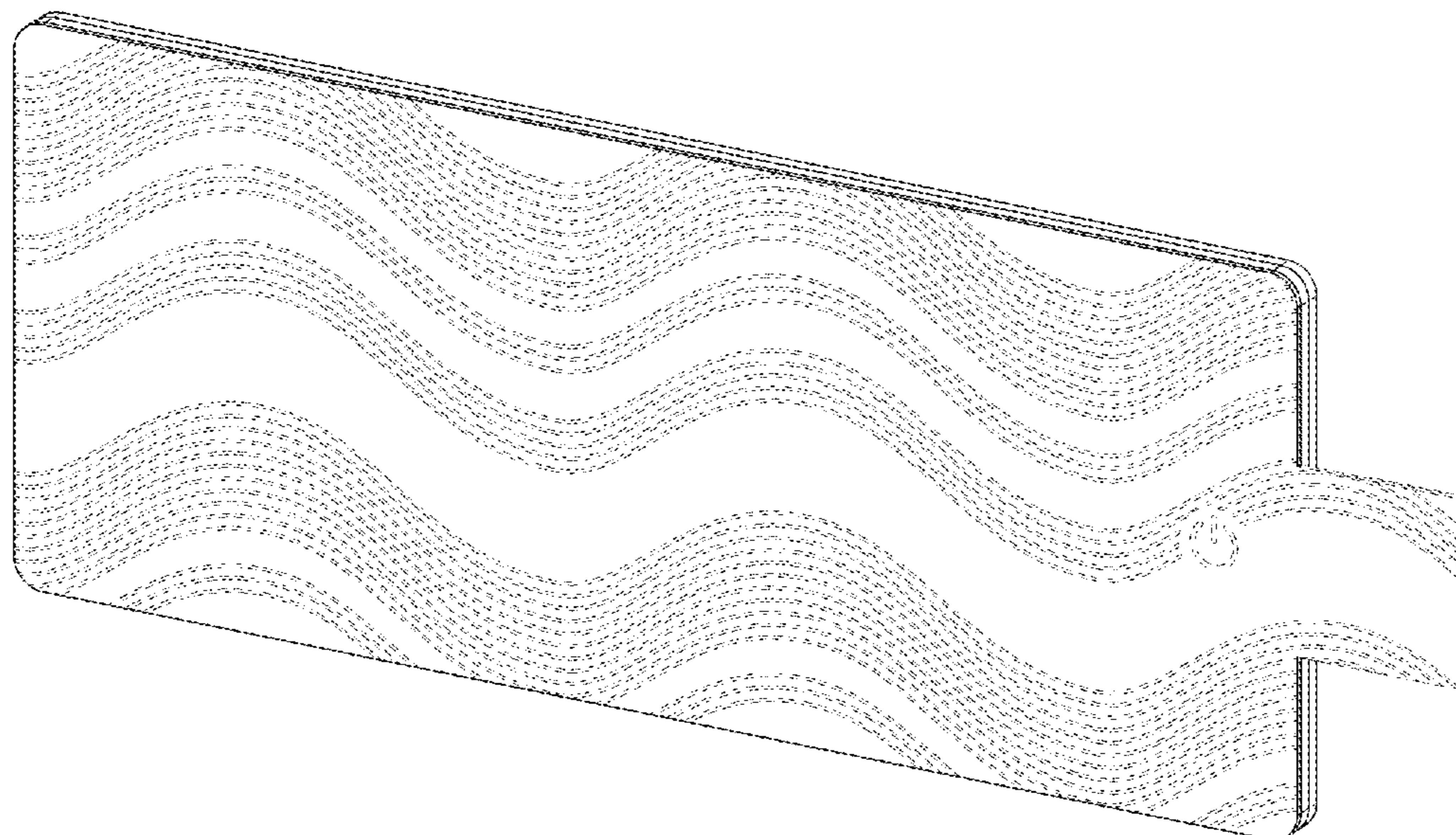
The ornamental design for a LED drink wrap, as shown and described.

**DESCRIPTION**

FIG. 1 shows a front perspective view of a LED drink wrap; FIG. 2 shows a rear perspective view of the LED drink wrap; FIG. 3 shows a front view of the LED drink wrap of FIG. 1; FIG. 4 shows a left side view of the LED drink wrap of FIG. 1; FIG. 5 shows a rear view of the LED drink wrap of FIG. 1; FIG. 6 shows a right side view of the LED drink wrap of FIG. 1; FIG. 7 shows a top view of the LED drink wrap of FIG. 1; and, FIG. 8 shows a bottom view of the LED drink wrap of FIG. 1.

In the drawings above, the dashed lines indicate unclaimed portions.

**1 Claim, 3 Drawing Sheets**



(56)

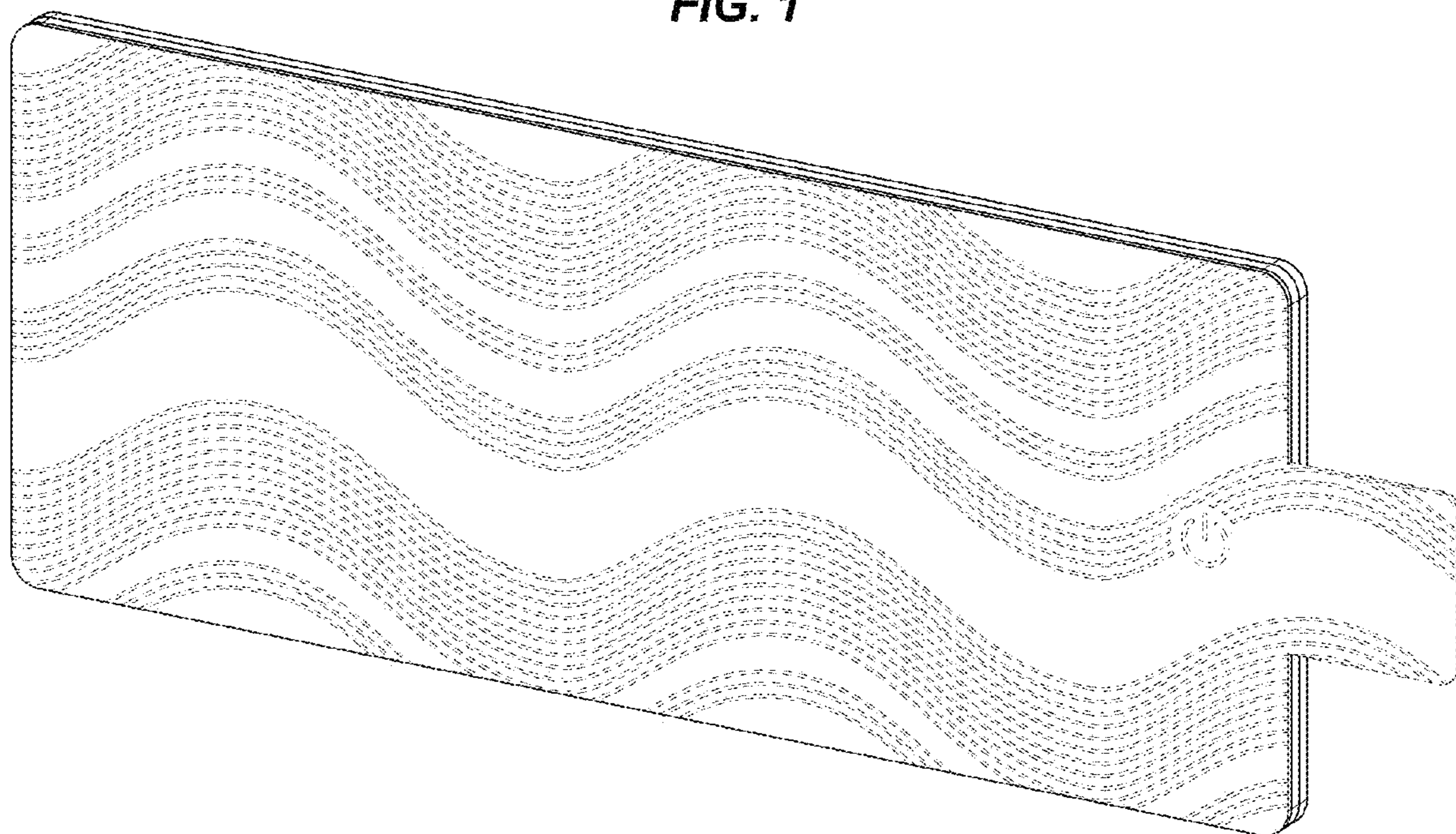
**References Cited**

U.S. PATENT DOCUMENTS

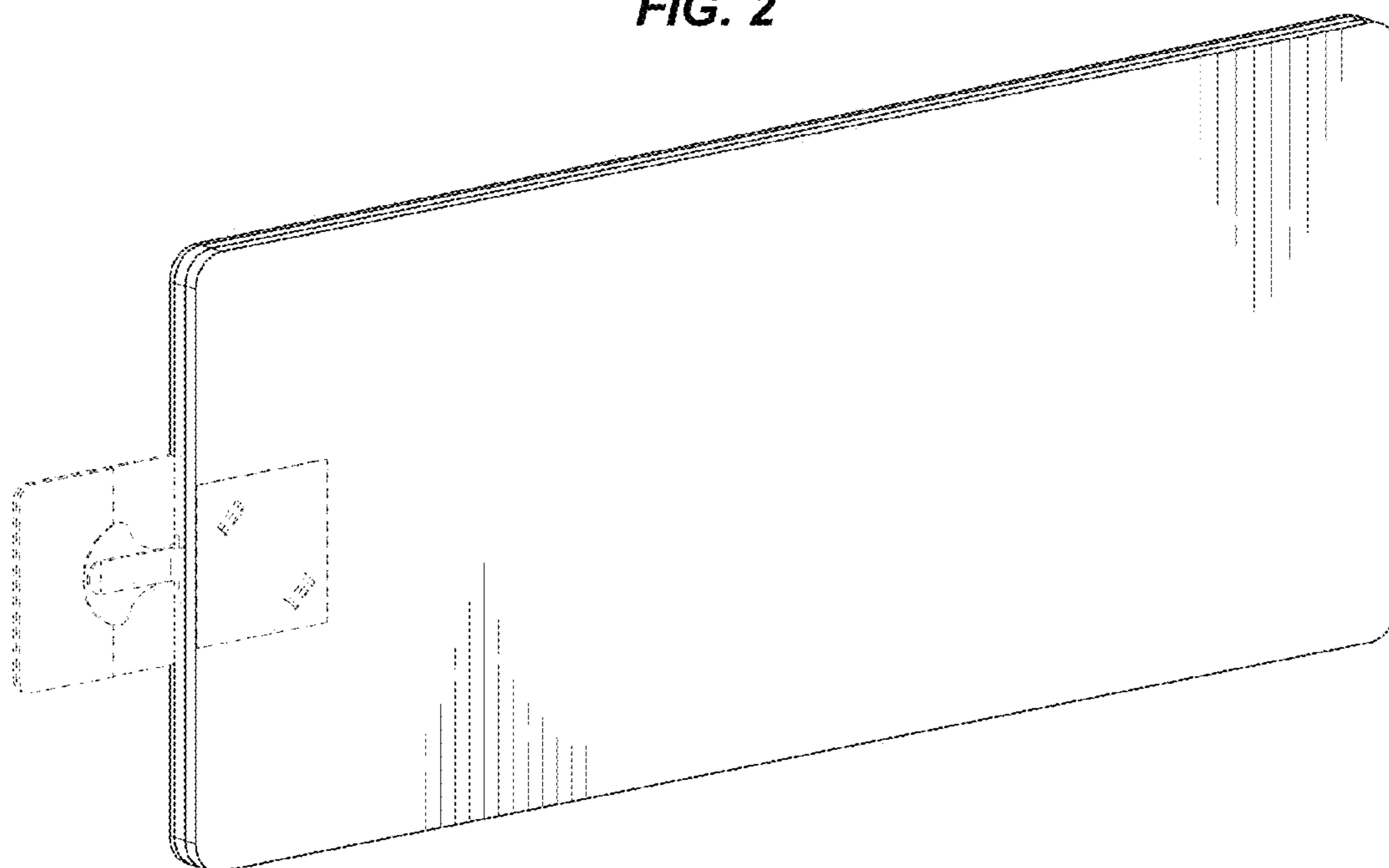
D838,397 S \* 1/2019 Calisi ..... D26/51  
D840,765 S \* 2/2019 Cabay ..... D7/624.2  
D842,658 S \* 3/2019 Groth ..... D7/624.2  
D868,548 S \* 12/2019 Kerkvliet ..... D7/624.2  
2001/0030858 A1 10/2001 Krietzman et al.  
2004/0014384 A1 1/2004 Sloom  
2006/0076376 A1 4/2006 Kemery et al.  
2006/0231606 A1\* 10/2006 Katchko ..... B65D 81/3876  
229/403  
2008/0047967 A1\* 2/2008 Brunner ..... B65D 81/3886  
220/737  
2009/0217492 A1 9/2009 Gallant et al.  
2014/0000984 A1 1/2014 Thornton  
2016/0290624 A1 10/2016 Dai et al.

\* cited by examiner

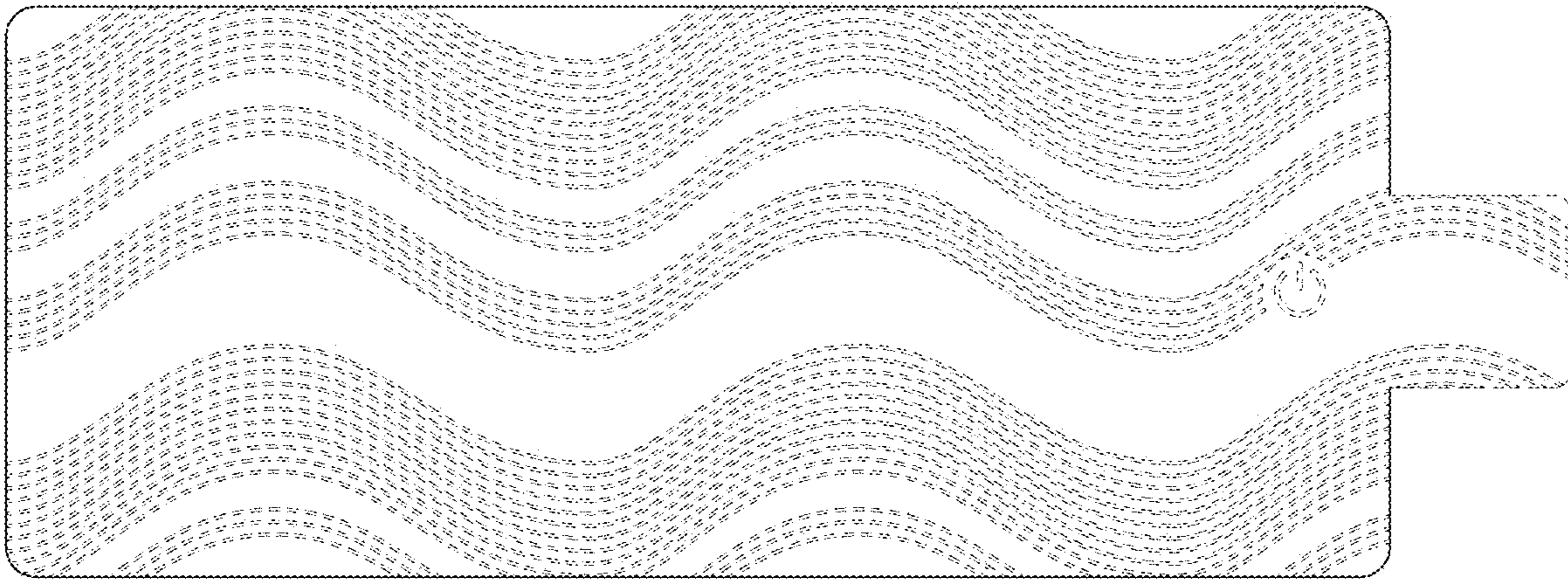
**FIG. 1**



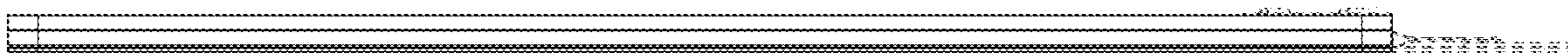
**FIG. 2**



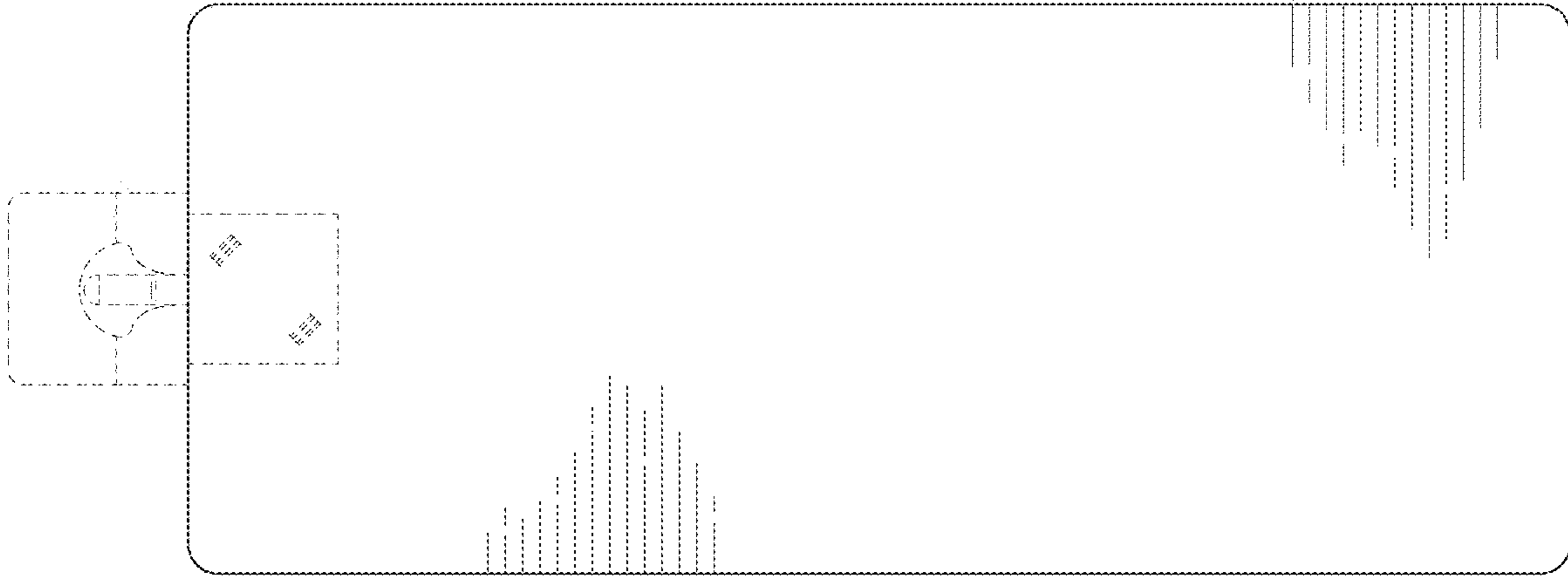
**FIG. 3**



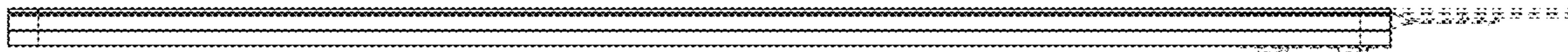
**FIG. 4**



**FIG. 5**



**FIG. 6**



**FIG. 7**



**FIG. 8**

