



US00D935663S

(12) **United States Design Patent**
Xiao et al.

(10) **Patent No.:** **US D935,663 S**

(45) **Date of Patent:** **** Nov. 9, 2021**

(54) **FLASHLIGHT**
(71) Applicant: **Ledlenser GmbH & Co. KG**, Solingen (DE)
(72) Inventors: **Bin Xiao**, Düsseldorf (DE); **André Kunzendorf**, Wuppertal (DE)
(73) Assignee: **LEDLENSER GMBH & CO. KG**, Solingen (DE)

D828,940 S * 9/2018 Qiu D26/49
D833,051 S * 11/2018 Qiu D26/49
D851,310 S * 6/2019 Windom D26/49
D855,229 S * 7/2019 Bertken D26/49
D871,639 S * 12/2019 Prieto D26/49
D898,966 S * 10/2020 Qiu D26/49

FOREIGN PATENT DOCUMENTS

EM 007295217-0011 * 2/2020

OTHER PUBLICATIONS

Amazon.com_ Ledlenser, P7R Signature Rechargeable Flashlight
<https://www.amazon.com/Ledlenser-Rechargeable-Flashlight-Waterproof-Connecting/dp/B08H5WJ58T> First Available Sep. 1, 2020 (Year: 2020).*

* cited by examiner

Primary Examiner — Leanne Was-Englehart
(74) *Attorney, Agent, or Firm* — Alston & Bird LLP

(**) Term: **15 Years**
(21) Appl. No.: **29/714,557**
(22) Filed: **Nov. 25, 2019**
(51) **LOC (13) Cl.** **26-02**
(52) **U.S. Cl.**
USPC **D26/49**
(58) **Field of Classification Search**
USPC D26/37–51
CPC F21L 2003/00; F21L 4/005; F21L 4/025;
F21L 4/027; F21L 4/04; F21L 4/08; F21L
13/00; F21L 13/08; F21L 14/02; F21L
19/00; F21L 2/00; F21L 4/00–4/085;
F21L 15/00–15/14; F21L 2001/00; F21L
2005/00; F21L 25/00
See application file for complete search history.

(57) **CLAIM**

The ornamental design for a flashlight, as shown and described.

DESCRIPTION

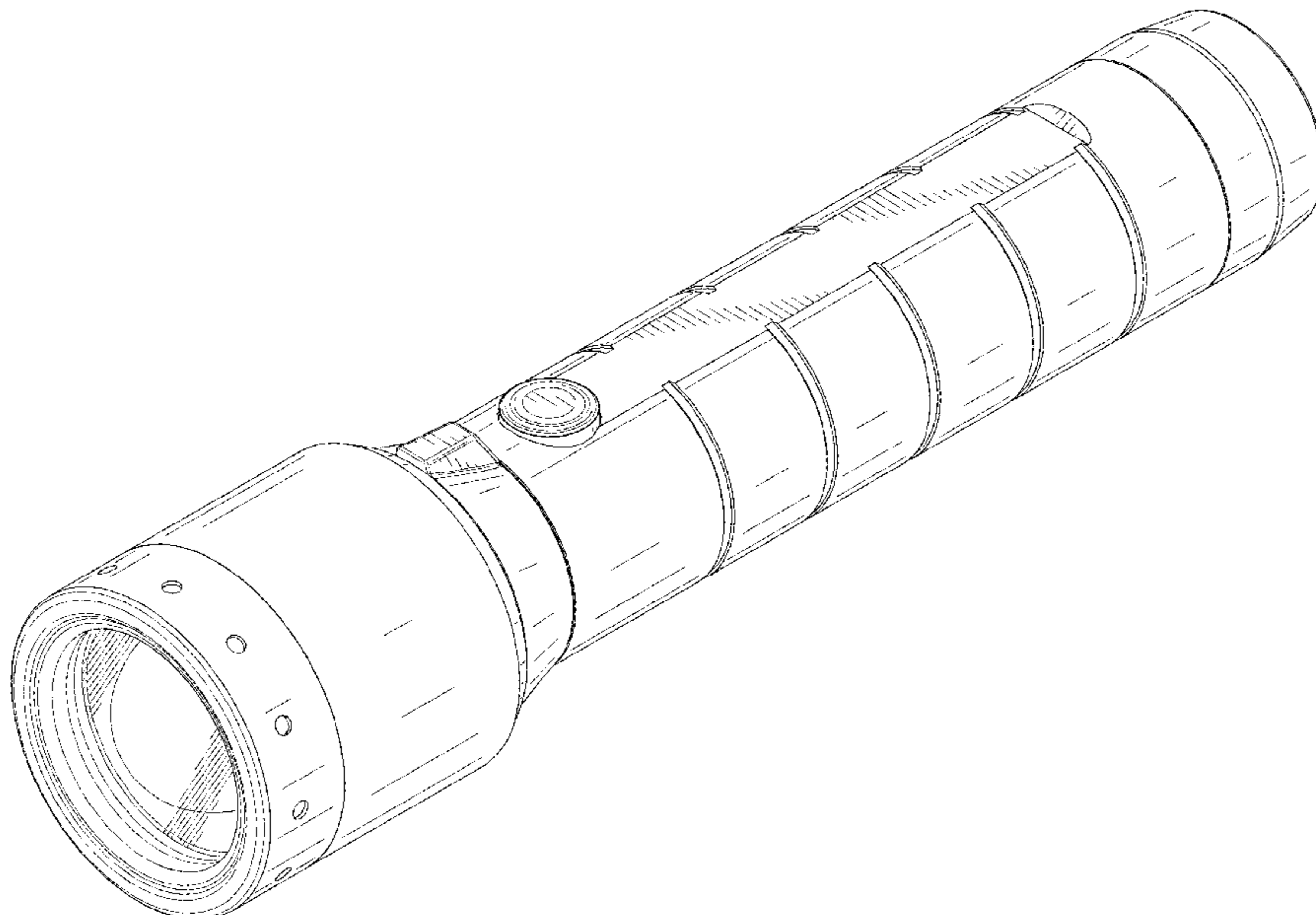
FIG. 1 is a perspective view of a flashlight according to our new design;
FIG. 2 is a front elevation view thereof;
FIG. 3 is a rear elevation view thereof;
FIG. 4 is a left side elevation view thereof;
FIG. 5 is a right side elevation view thereof;
FIG. 6 is a top elevation view thereof; and,
FIG. 7 is a bottom plan view thereof.
The broken lines show portions of the article which form no part of the claimed design.

(56) **References Cited**

U.S. PATENT DOCUMENTS

D558,907 S * 1/2008 Liu D26/49
D570,511 S * 6/2008 Shiu D26/49
D706,476 S * 6/2014 Lee D26/49
D747,024 S * 1/2016 Windom D26/49
D750,306 S * 2/2016 Windom D26/49
D767,185 S * 9/2016 Schleder D26/49
D799,088 S * 10/2017 Green D26/49
D818,622 S * 5/2018 Kunzendorf D26/49
D827,892 S * 9/2018 Kunzendorf D26/49

1 Claim, 6 Drawing Sheets



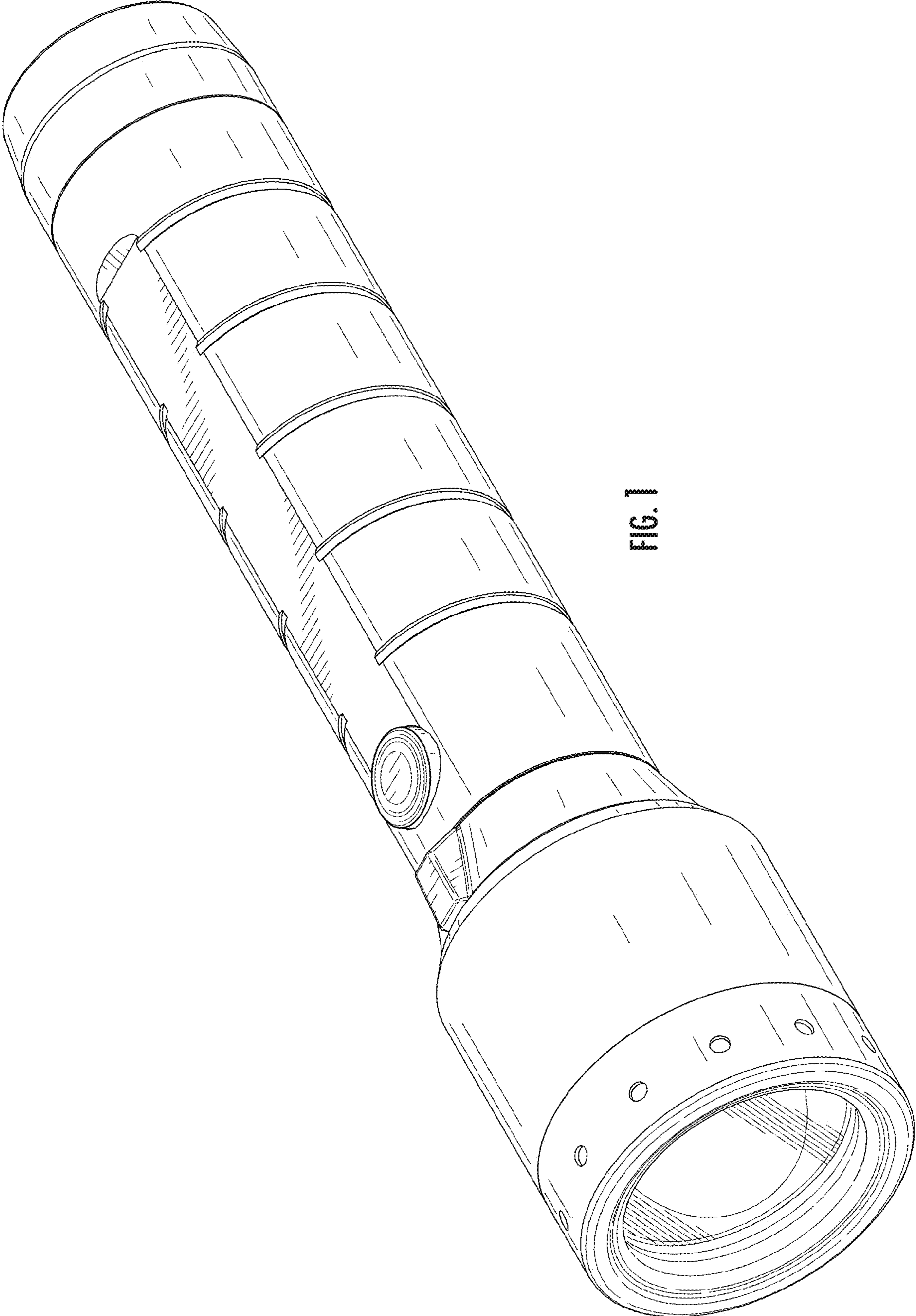


FIG. 1

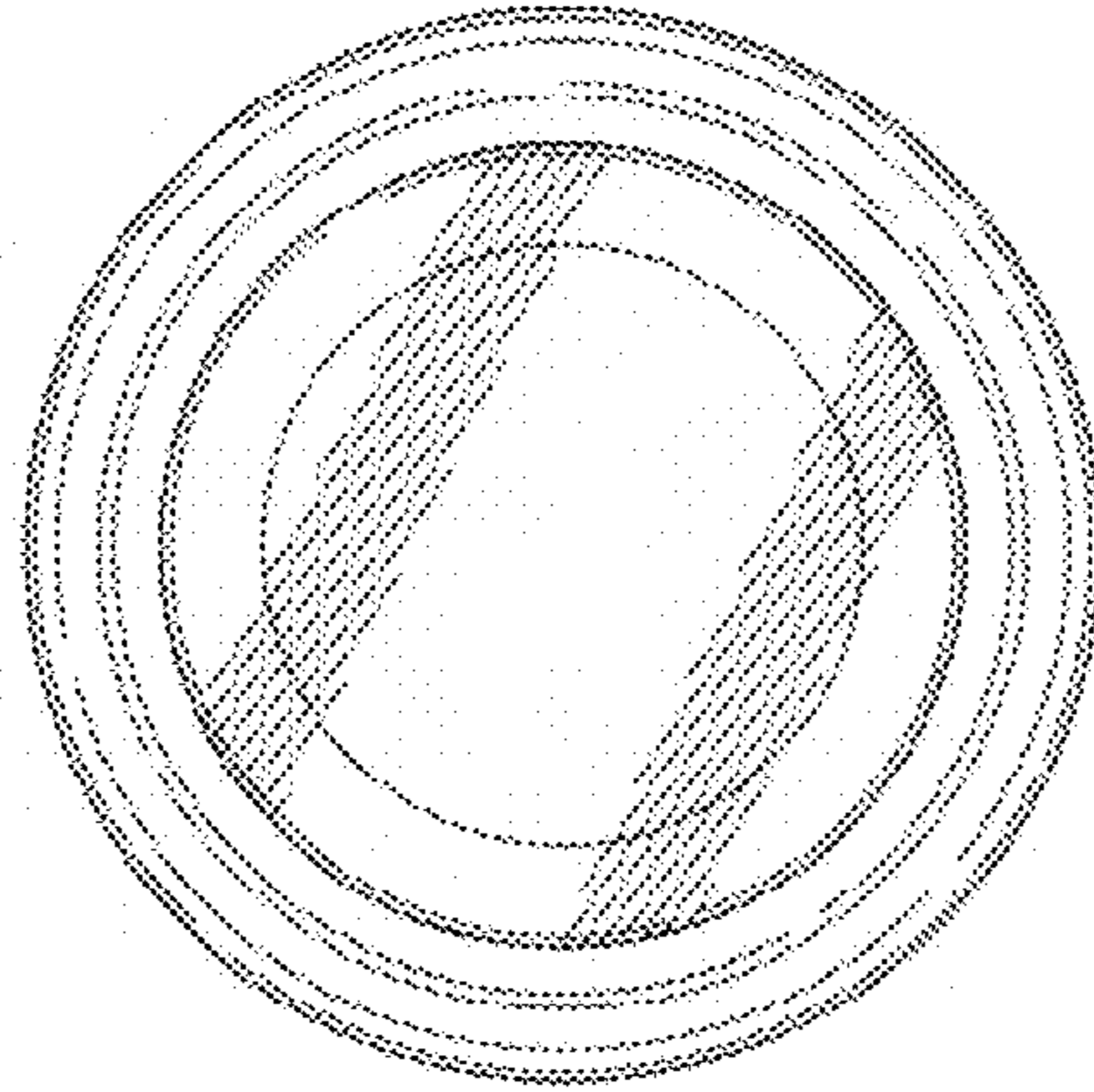


FIG. 2

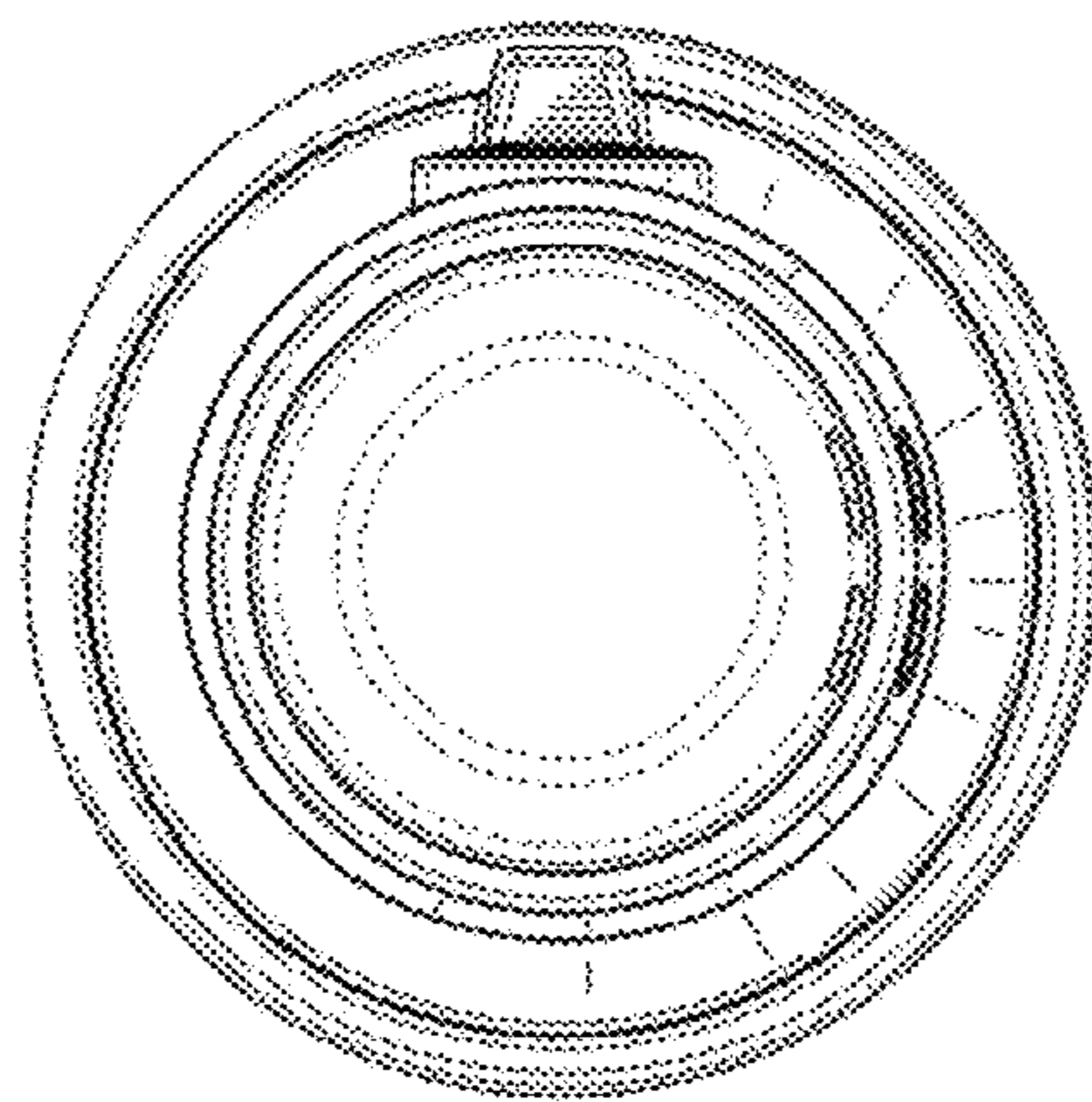


FIG. 3

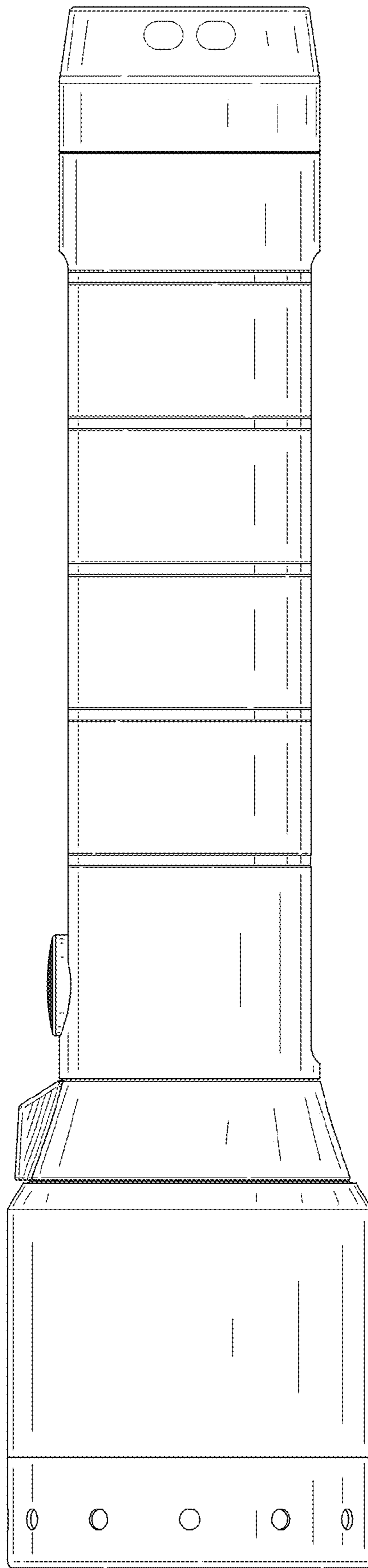


FIG. 4

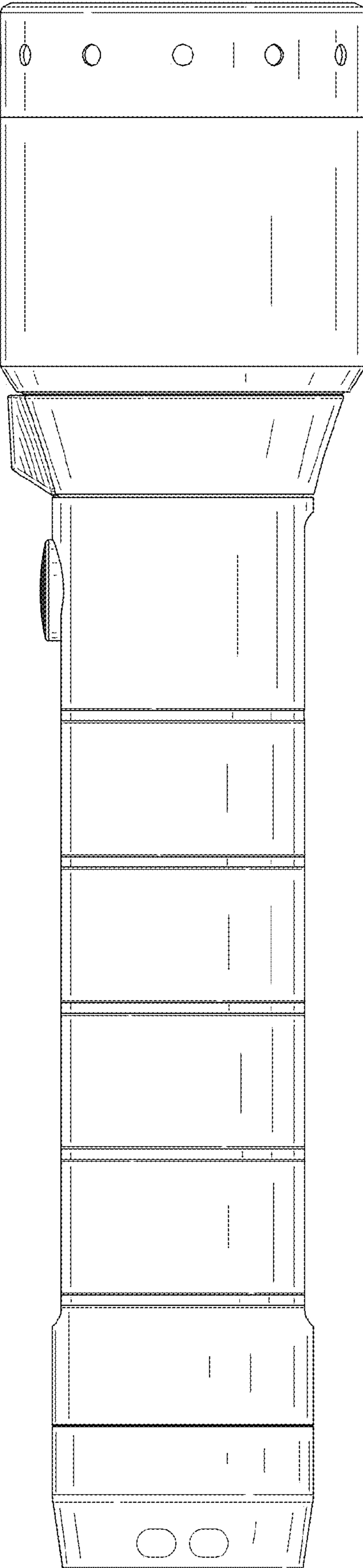


FIG. 5

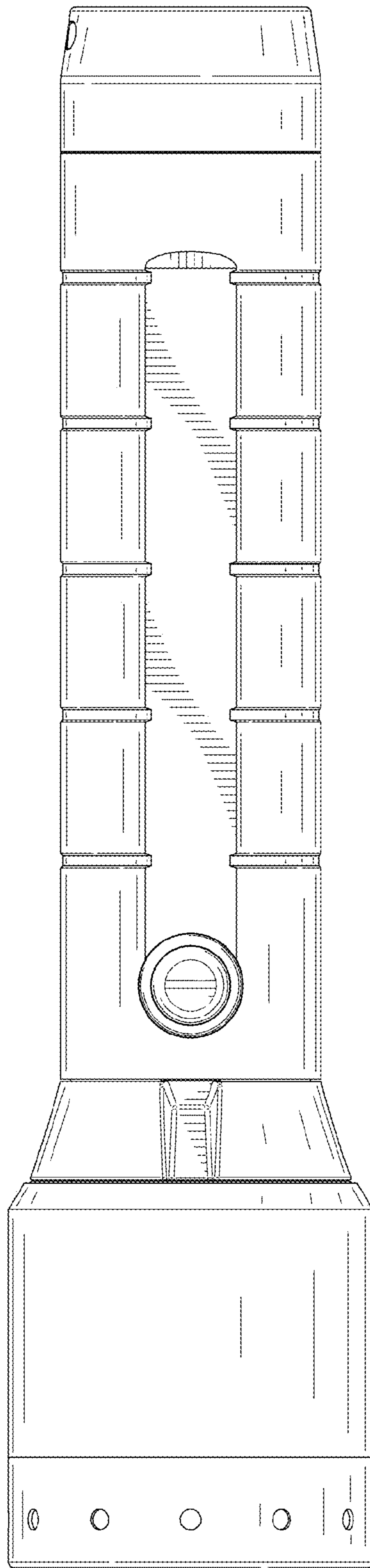


FIG. 6

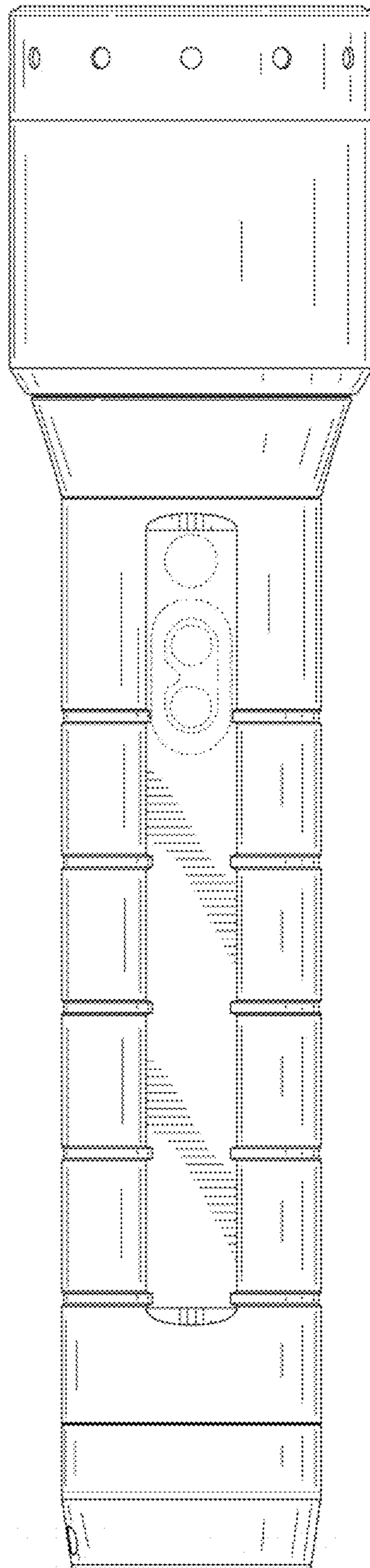


FIG. 7