



US00D935662S

(12) **United States Design Patent**
Wang

(10) **Patent No.:** **US D935,662 S**

(45) **Date of Patent:** **** Nov. 9, 2021**

(54) **FLASHLIGHT**

(71) Applicant: **Bo Wang**, Luzhou (CN)

(72) Inventor: **Bo Wang**, Luzhou (CN)

(**) Term: **15 Years**

(21) Appl. No.: **29/763,791**

(22) Filed: **Dec. 24, 2020**

(51) **LOC (13) Cl.** **26-02**

(52) **U.S. Cl.**
USPC **D26/45**

(58) **Field of Classification Search**
USPC D26/37-51
CPC F21L 4/00; F21L 4/02; F21L 4/04; F21L 4/08; F21L 4/025; F21L 4/027; F21L 7/00; F21L 11/00; F21L 13/00; F21L 13/04; F21L 13/08; F21L 14/02; F21L 17/00; F21L 19/00; F21L 25/00
See application file for complete search history.

(56) **References Cited**

U.S. PATENT DOCUMENTS

D469,904 S	*	2/2003	Levine	D26/45
D603,540 S	*	11/2009	Shum	D26/45
D605,796 S	*	12/2009	Crawford	D26/45
D673,705 S	*	1/2013	Inskeep	D26/45

D673,707 S	*	1/2013	Inskeep	D26/45
D702,383 S	*	4/2014	Inskeep	D26/45
D711,029 S	*	8/2014	Schnell	D26/45
D748,310 S	*	1/2016	Inskeep	D26/45
D754,380 S	*	4/2016	Inskeep	D26/45
D754,381 S	*	4/2016	Inskeep	D26/45
D788,342 S		5/2017	Beckett et al.		
D816,251 S		4/2018	Johnson		
D885,626 S		5/2020	Inskeep et al.		

* cited by examiner

Primary Examiner — Marcus A Jackson

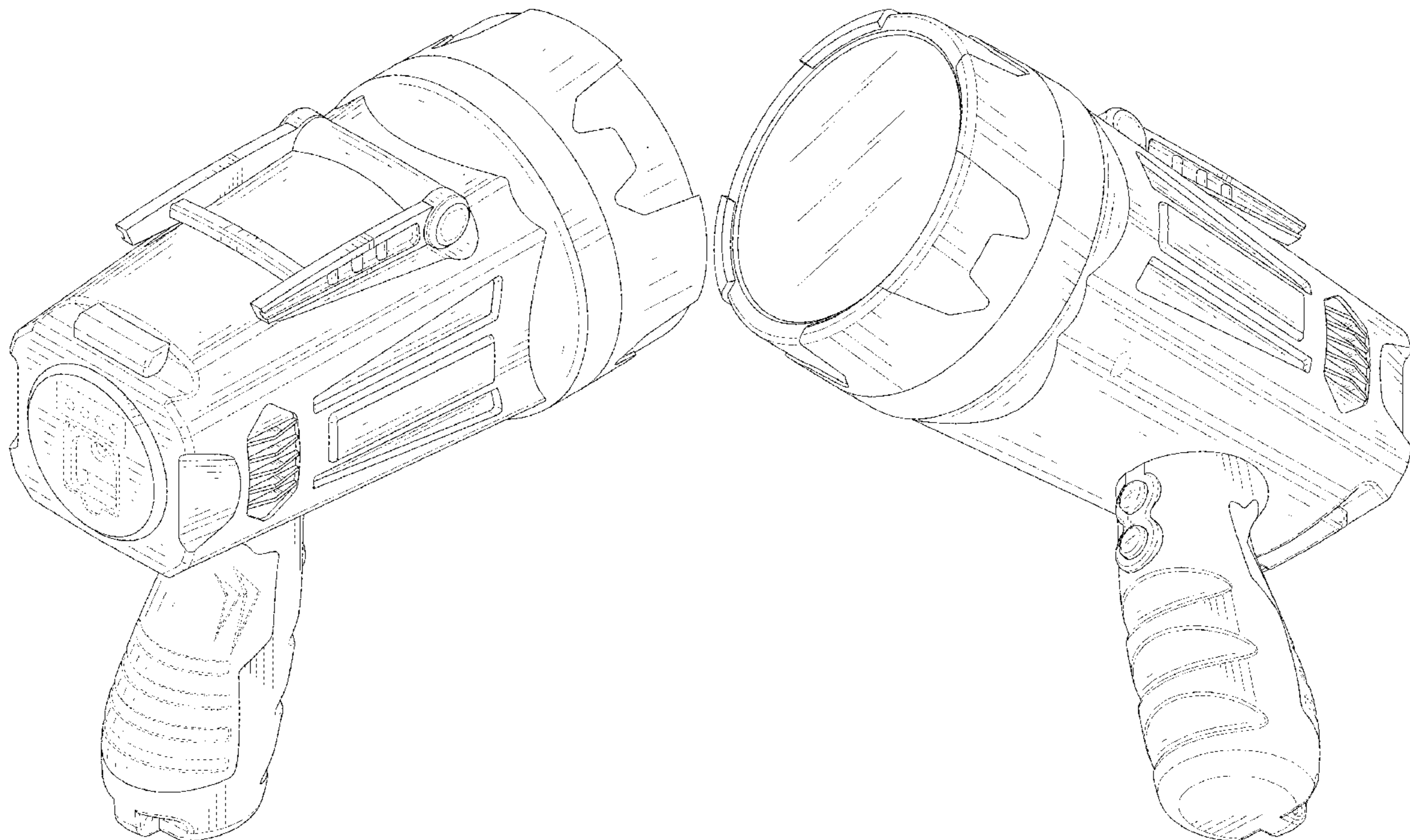
(57) **CLAIM**

The ornamental design for a flashlight, as shown and described.

DESCRIPTION

FIG. 1 is a first perspective view of a flashlight showing my new design;
FIG. 2 is a second perspective view thereof;
FIG. 3 is a front view thereof;
FIG. 4 is a back view thereof;
FIG. 5 is a left side view thereof;
FIG. 6 is a right side view thereof;
FIG. 7 is a top view thereof; and,
FIG. 8 is a bottom view thereof.
The broken lines shown in the drawings depict portions of the flashlight in which the design is embodied that form no part of the claimed design.

1 Claim, 8 Drawing Sheets



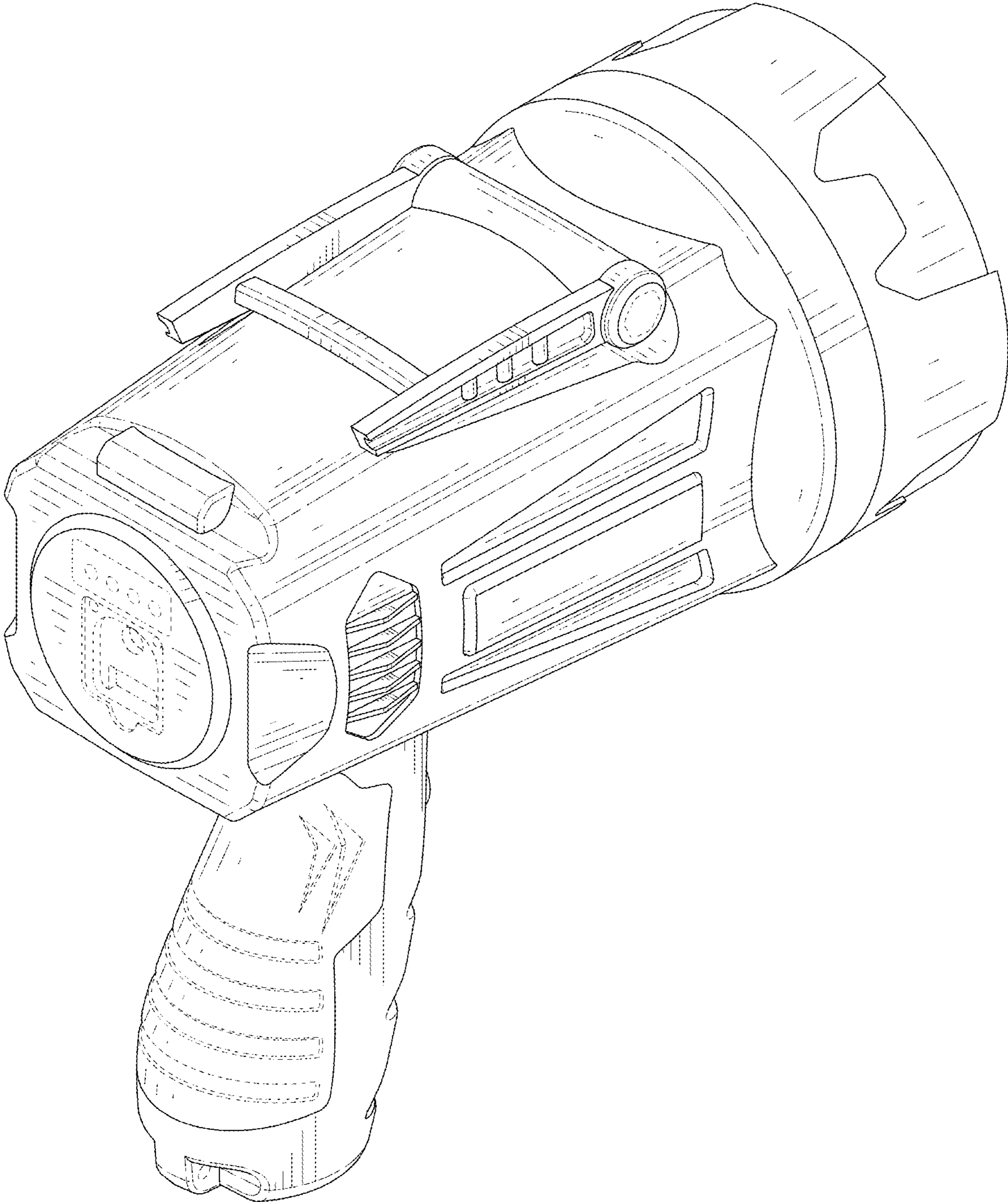


FIG. 1

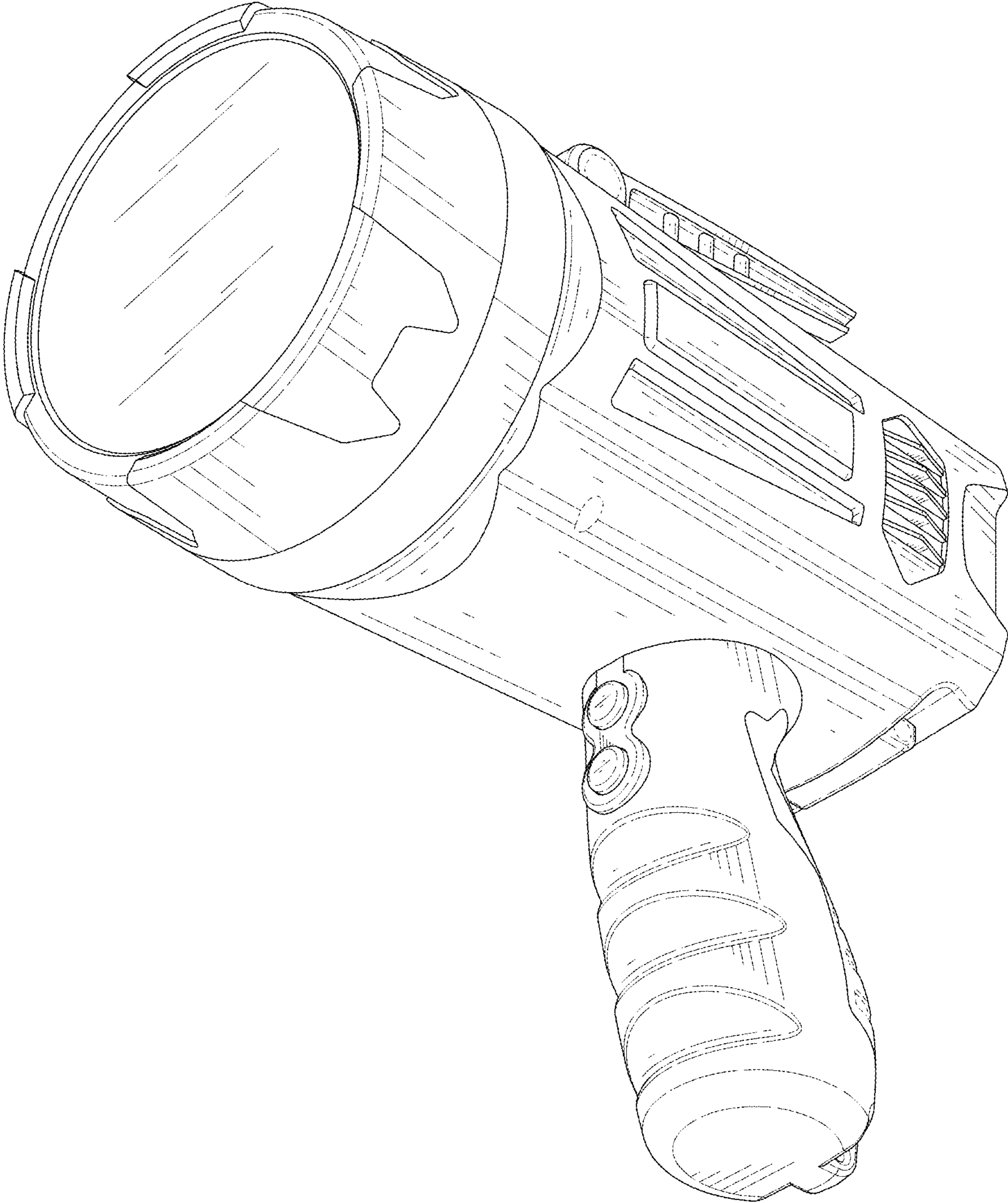


FIG. 2

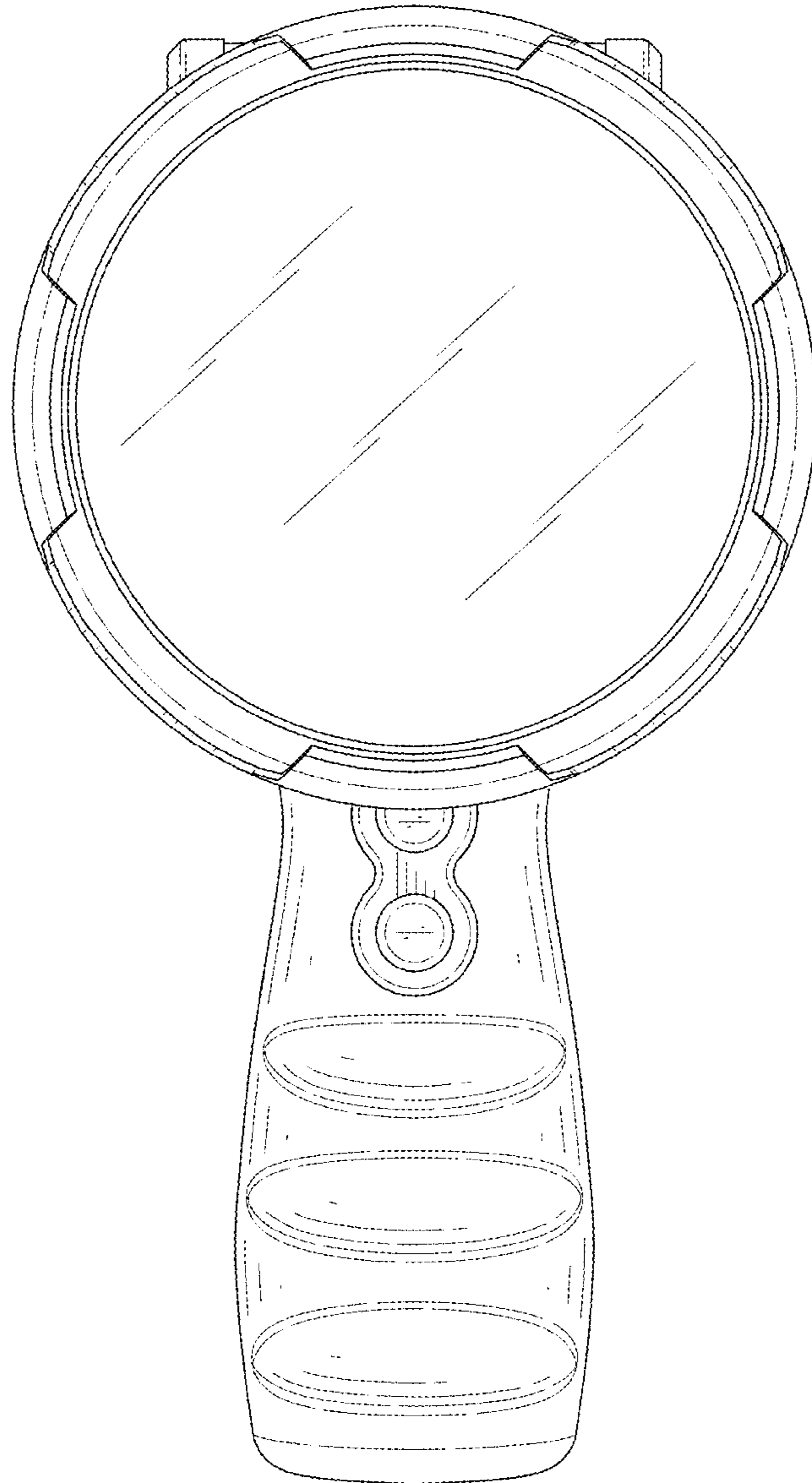


FIG. 3

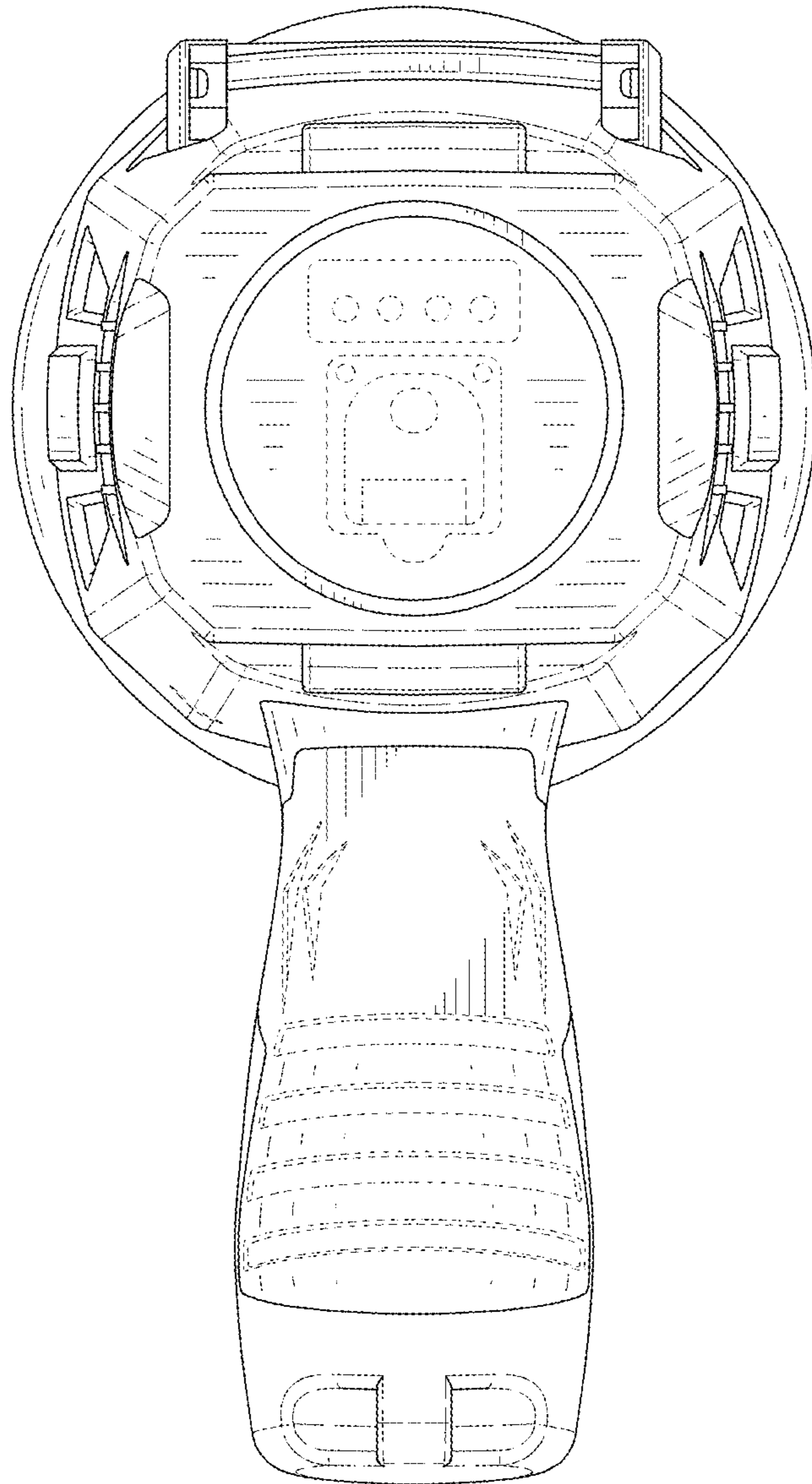


FIG. 4

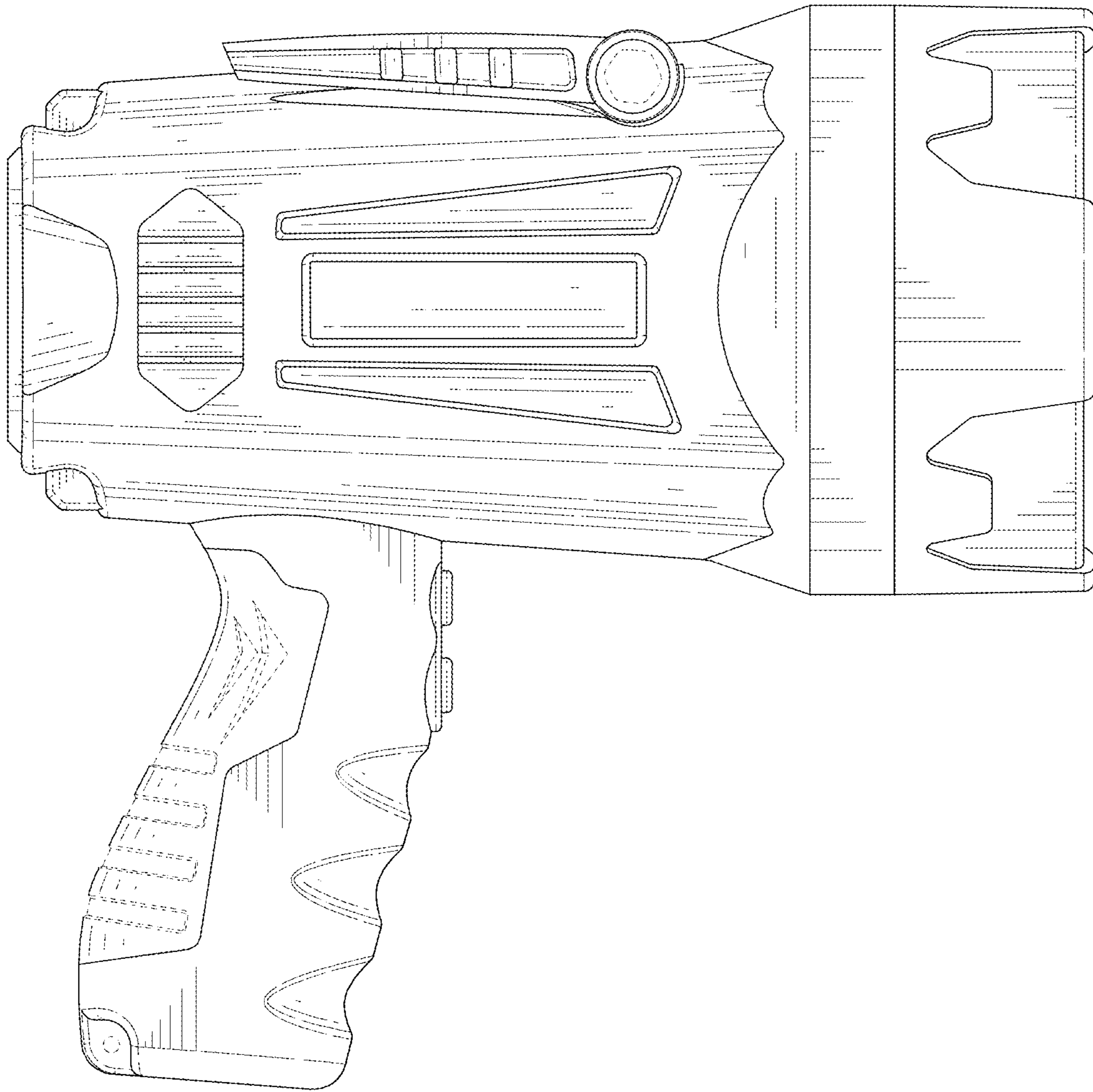


FIG. 5

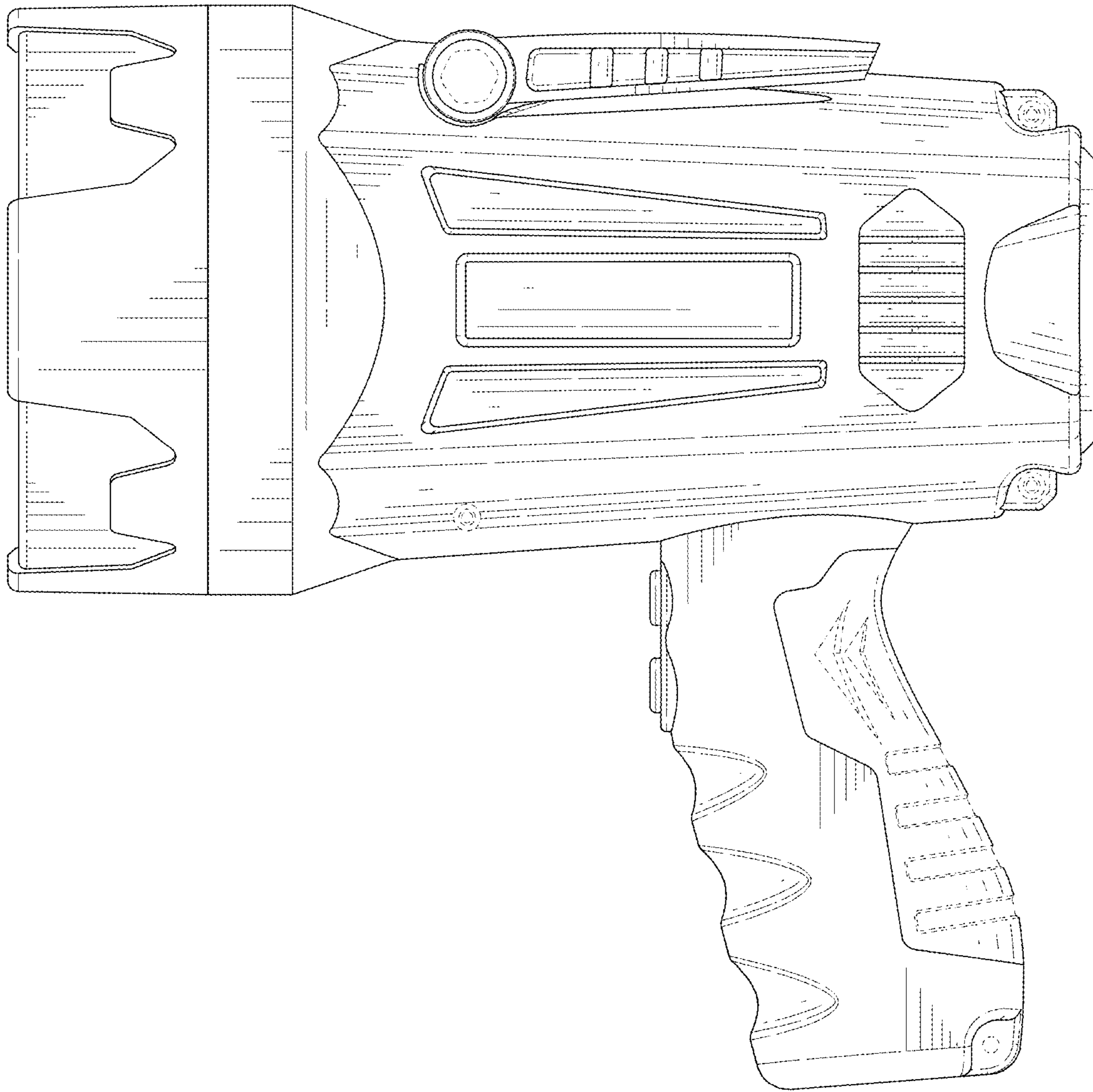


FIG. 6

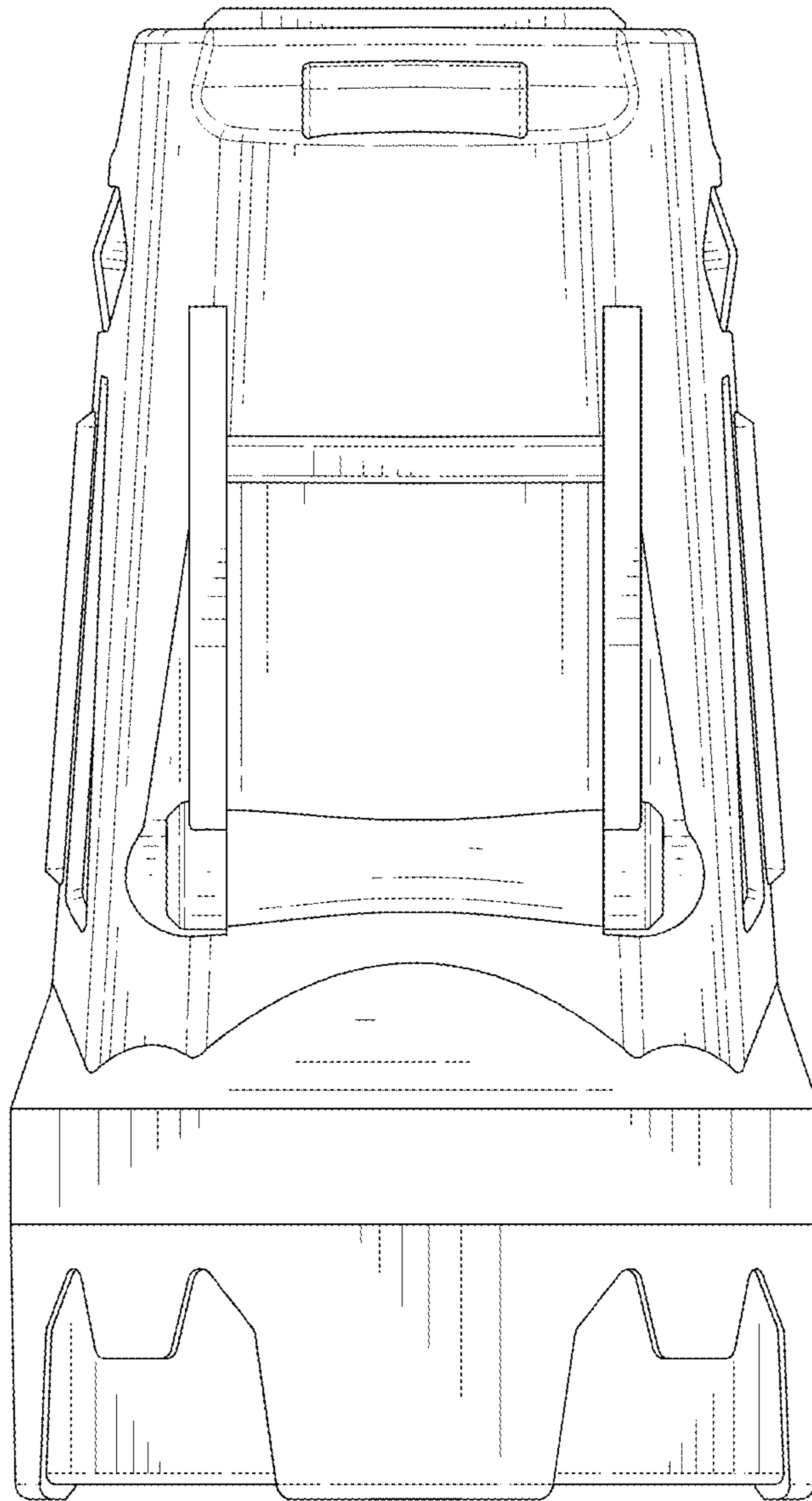


FIG. 7

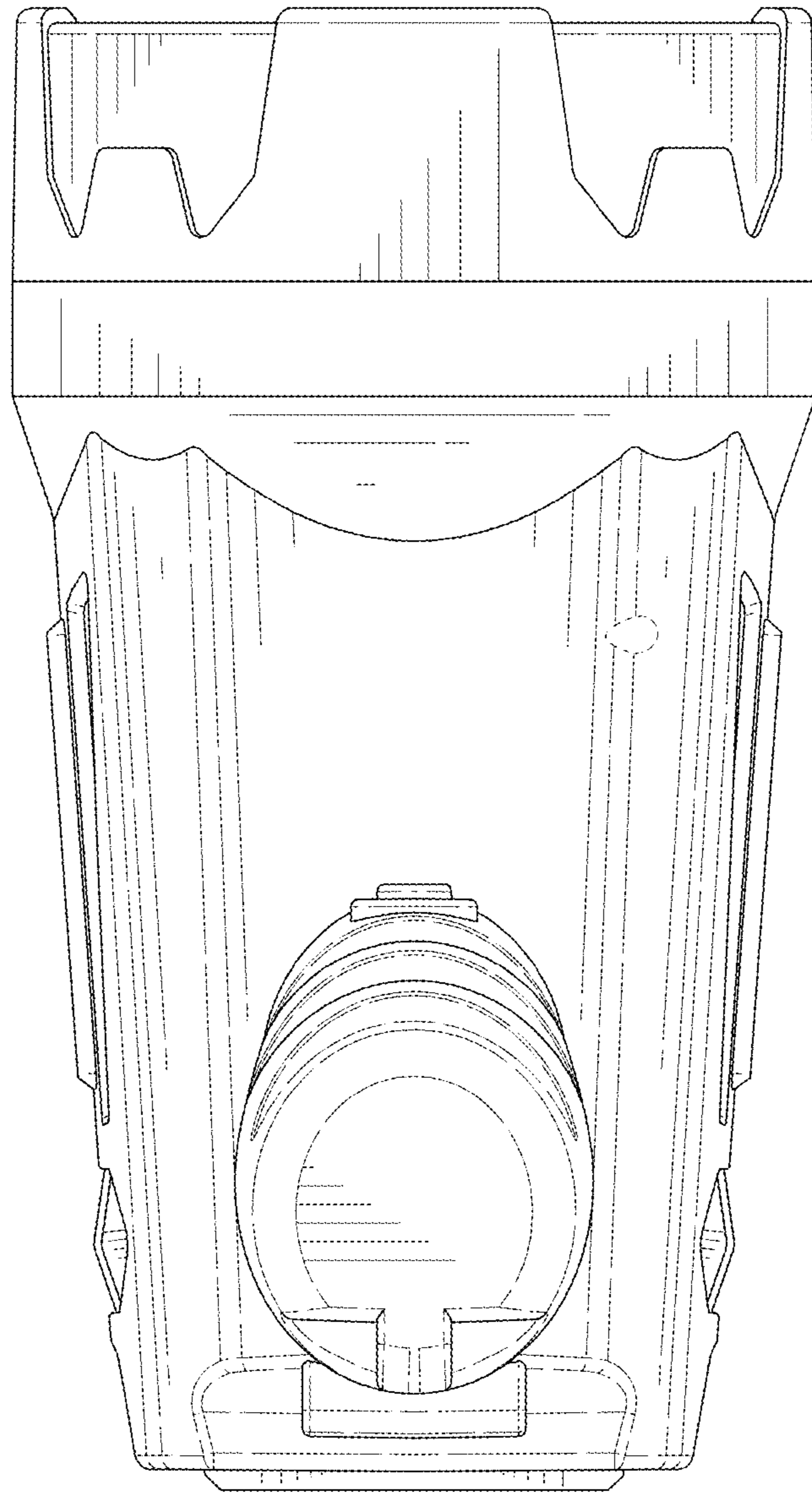


FIG. 8