



US00D935658S

(12) **United States Design Patent**
Xiao et al.

(10) **Patent No.:** **US D935,658 S**

(45) **Date of Patent:** **** Nov. 9, 2021**

- (54) **HEADLAMP**
- (71) Applicant: **Ledlenser GmbH & Co. KG**, Solingen (DE)
- (72) Inventors: **Bin Xiao**, Düsseldorf (DE); **André Kunzendorf**, Wuppertal (DE)
- (73) Assignee: **LEDLENSER & CO. KG**, Solingen (DE)
- (**) Term: **15 Years**
- (21) Appl. No.: **29/714,561**
- (22) Filed: **Nov. 25, 2019**
- (51) **LOC (13) Cl.** **26-02**
- (52) **U.S. Cl.**
USPC **D26/39**
- (58) **Field of Classification Search**
USPC D26/37-51
CPC . F21L 4/005; F21L 4/025; F21L 4/027; F21L 4/04; F21L 4/08; F21L 13/00; F21L 13/08; F21L 14/02; F21L 19/00; F21L 2/00; F21L 4/00-4/085; F21L 15/00-15/14; F21L 2001/00; F21L 2003/00; F21L 2005/00; F21L 25/00; F21V 29/2206; F21V 29/2293; F21V 15/011
See application file for complete search history.

D715,982 S	10/2014	Windom et al.	
D721,842 S *	1/2015	Opolka	D26/39
D742,051 S *	10/2015	Abernethy	D26/39
D743,597 S *	11/2015	Abernethy	D26/39
D745,730 S *	12/2015	Kunzendorf	D26/39
D821,006 S	6/2018	Chen	
D836,228 S	12/2018	Kunzendorf	
D843,037 S *	3/2019	Li	D26/39
D861,212 S	9/2019	Windom et al.	
D861,940 S	10/2019	Kunzendorf	
D867,640 S	11/2019	Windom et al.	
D876,695 S *	2/2020	Hine	D26/39
D878,649 S	3/2020	Kunzendorf	
D887,602 S	6/2020	Kunzendorf	
D901,736 S *	11/2020	Kunzendorf	D26/39

FOREIGN PATENT DOCUMENTS

EM 007295217-0005 * 2/2020

* cited by examiner

Primary Examiner — Leanne Was-Englehart

(74) *Attorney, Agent, or Firm* — Alston & Bird LLP

(57) **CLAIM**

The ornamental design for a headlamp, as shown and described.

DESCRIPTION

FIG. 1 is a perspective view of a headlamp according to our new design;

FIG. 2 is a front elevation view thereof;

FIG. 3 is a rear elevation view thereof;

FIG. 4 is a right side elevation view thereof;

FIG. 5 is a left side elevation view thereof;

FIG. 6 is a top elevation view thereof; and,

FIG. 7 is a bottom plan view thereof.

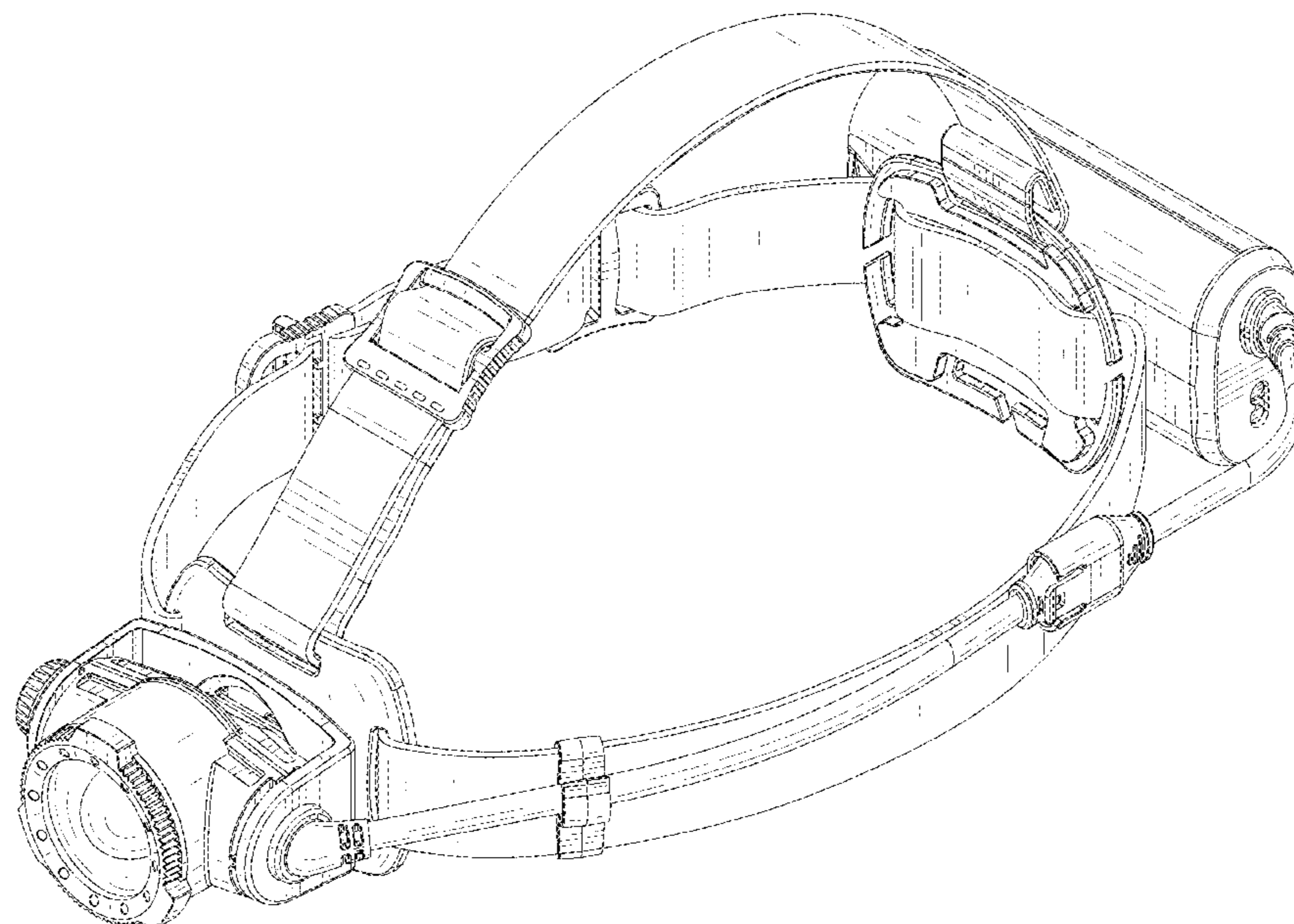
The broken lines show portions of the article which form no part of the claimed design.

1 Claim, 6 Drawing Sheets

(56) **References Cited**

U.S. PATENT DOCUMENTS

D531,335 S *	10/2006	Garrity	D26/39
D533,954 S	12/2006	Opolka	
D552,278 S *	10/2007	Spartano	D26/39
D583,971 S	12/2008	Castellucci et al.	
D672,893 S *	12/2012	Inskeep	D26/39
D696,803 S *	12/2013	Kingston	D26/39



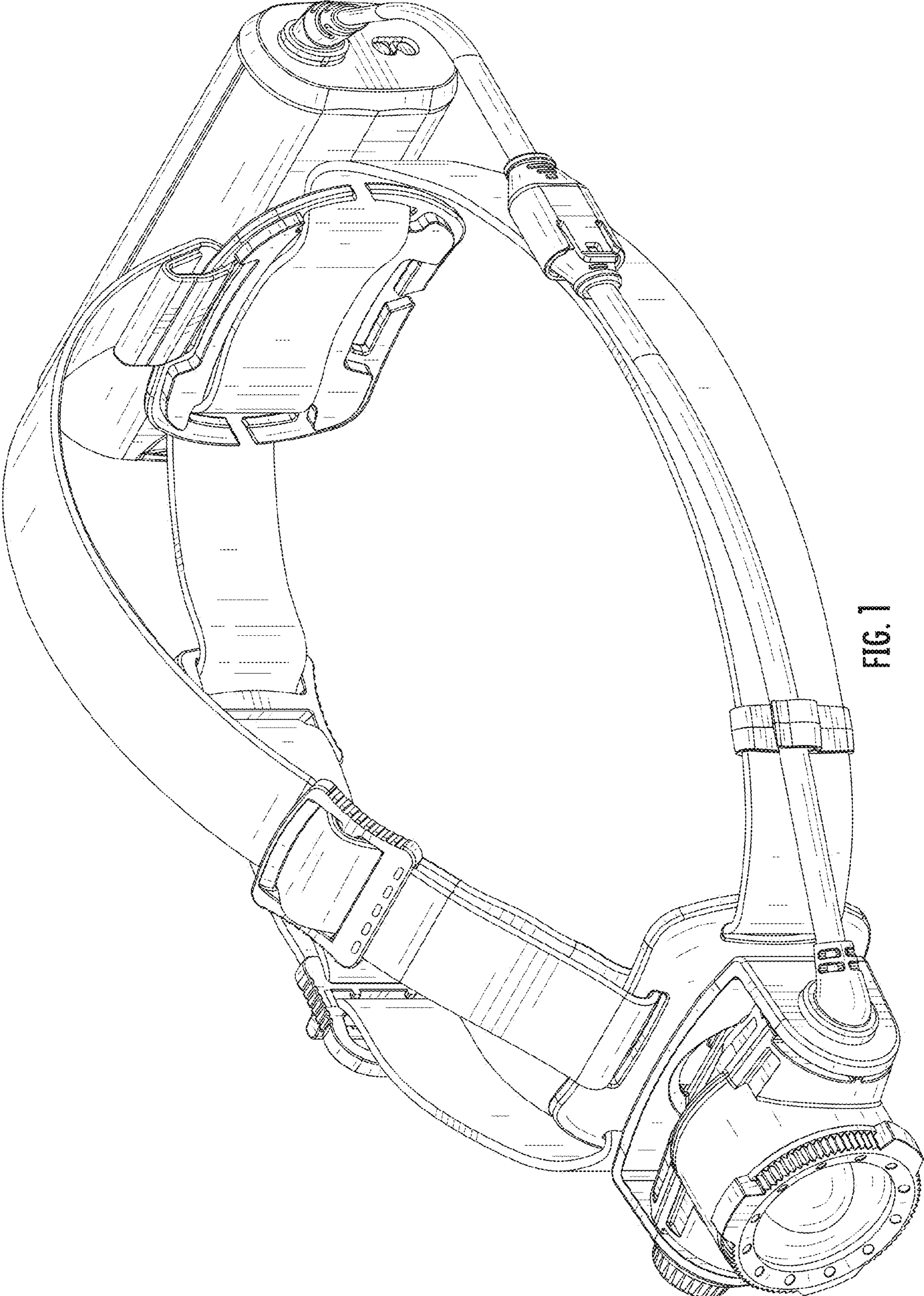


FIG. 1

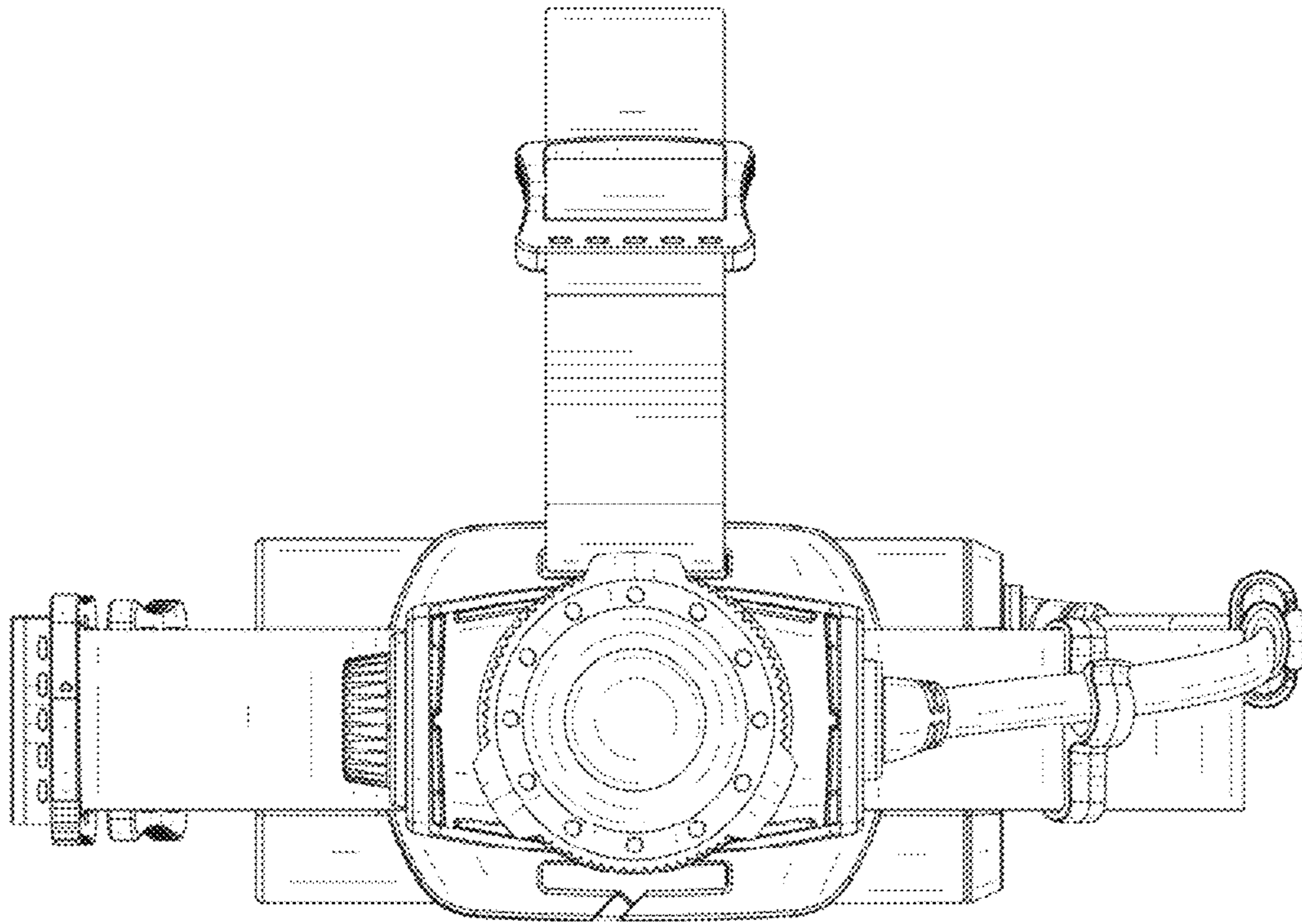


FIG. 2

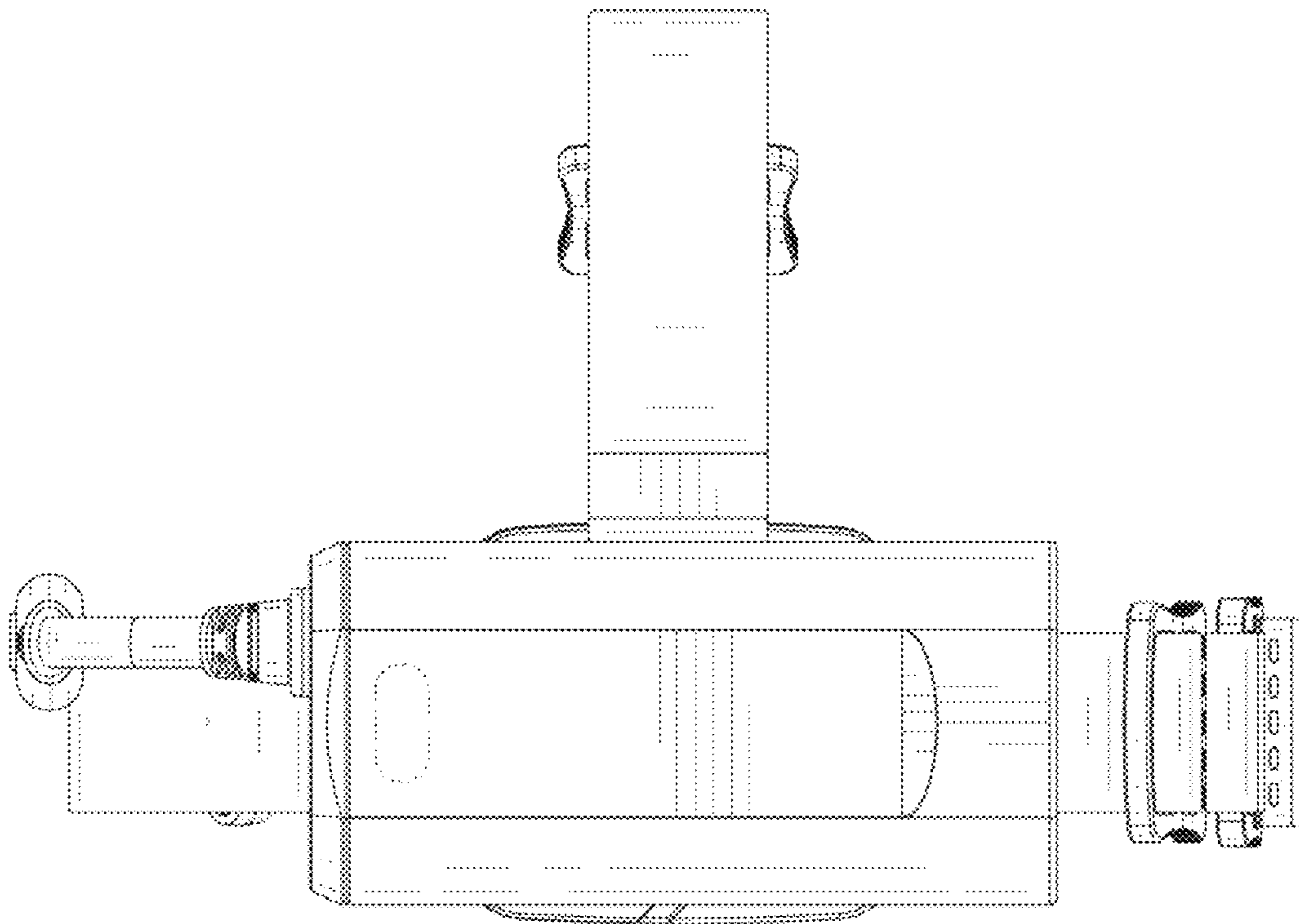


FIG. 3

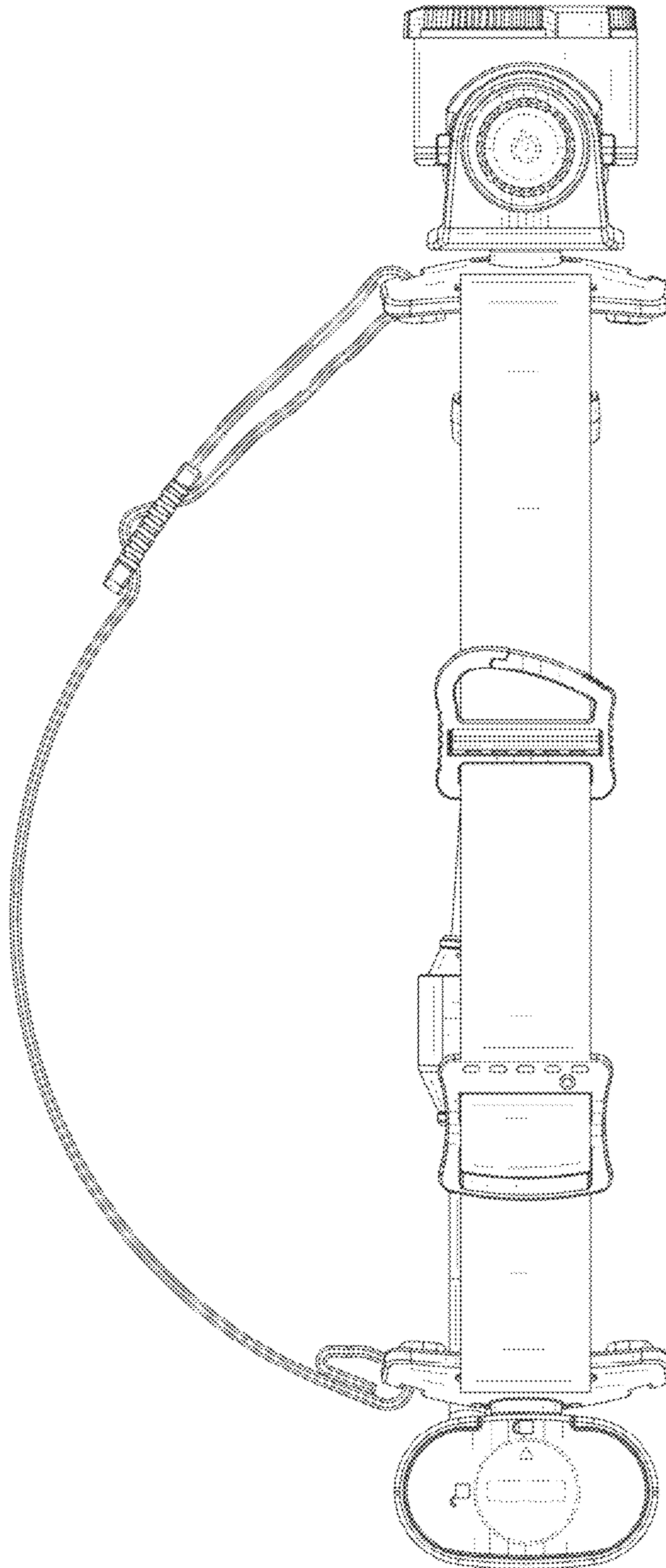


FIG. 4

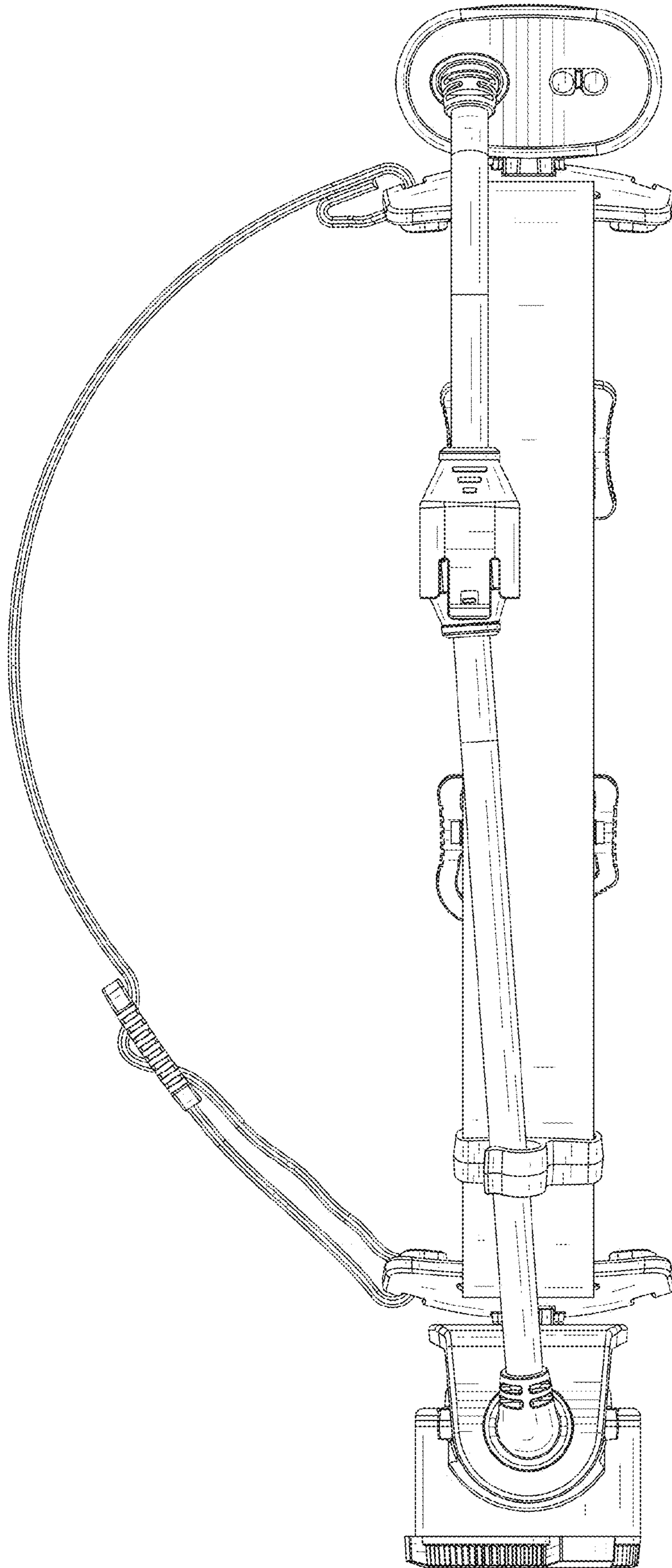


FIG. 5

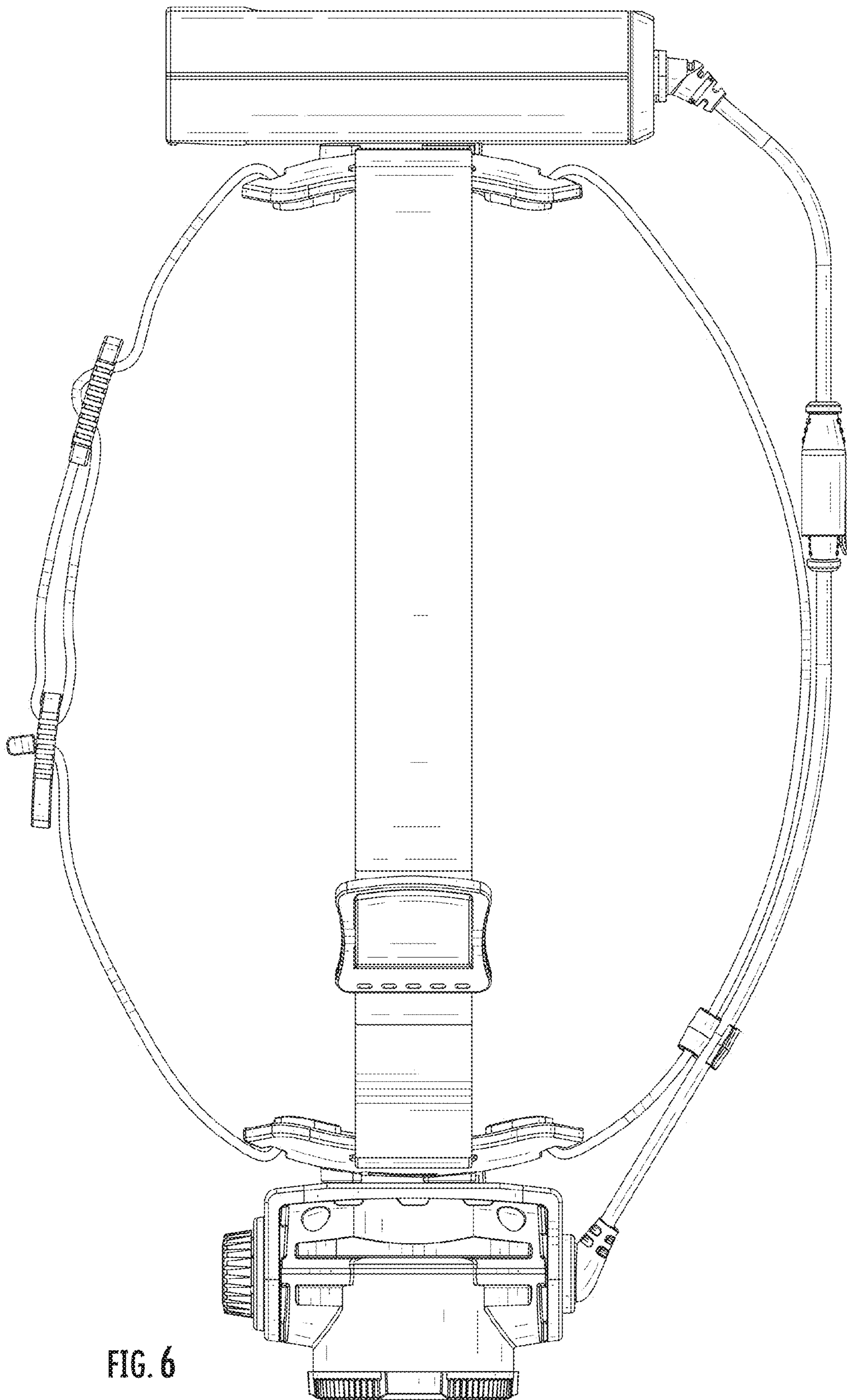


FIG. 6

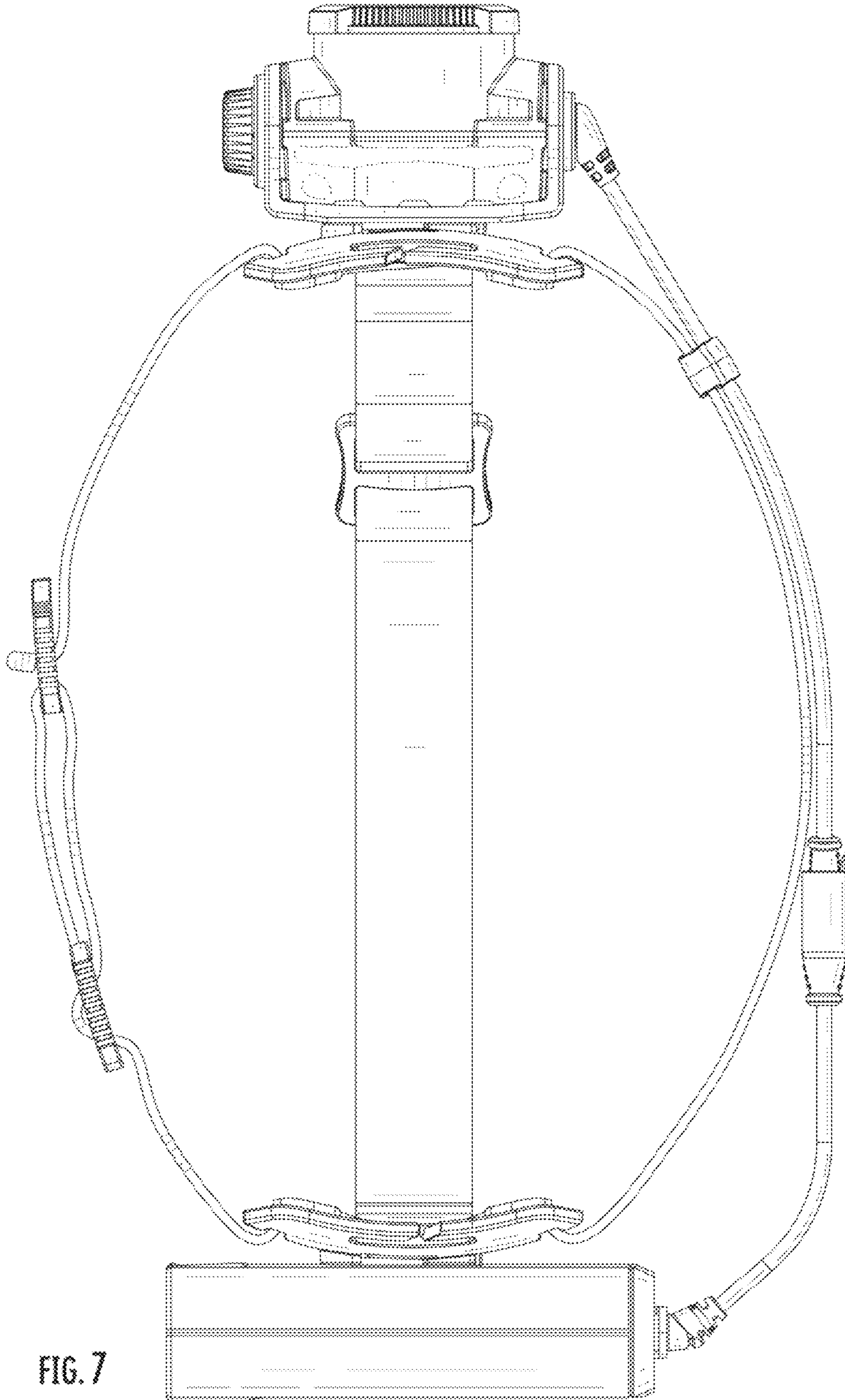


FIG. 7

UNITED STATES PATENT AND TRADEMARK OFFICE
CERTIFICATE OF CORRECTION


PATENT NO. : D935,658 S
APPLICATION NO. : 29/714561
DATED : November 9, 2021
INVENTOR(S) : Bin Xiao and André Kunzendorf

Page 1 of 1

It is certified that error appears in the above-identified patent and that said Letters Patent is hereby corrected as shown below:

On the Title Page

Item (73) "**LEDLENSER & CO. KG**, Solingen (DE)" should read --**LEDLENSER GMBH & CO. KG**, Solingen (DE)--

Signed and Sealed this
Eleventh Day of October, 2022

Katherine Kelly Vidal
Director of the United States Patent and Trademark Office