



US00D935657S

(12) **United States Design Patent**  
**Xiao et al.**

(10) **Patent No.:** **US D935,657 S**

(45) **Date of Patent:** **\*\* Nov. 9, 2021**

(54) **HEADLAMP**

(71) Applicant: **Ledlenser GmbH & Co. KG**, Solingen (DE)

(72) Inventors: **Bin Xiao**, Düsseldorf (DE); **André Kunzendorf**, Wuppertal (DE)

(73) Assignee: **LEDLENSER GMBH & CO. KG**, Solingen (DE)

(\*\*) Term: **15 Years**

(21) Appl. No.: **29/714,560**

(22) Filed: **Nov. 25, 2019**

(51) **LOC (13) Cl.** ..... **26-02**

(52) **U.S. Cl.**  
USPC ..... **D26/39**

(58) **Field of Classification Search**  
USPC ..... D26/37-51  
CPC ..... F21L 15/00-15/14; F21L 2001/00; F21L 2003/00; F21L 2005/00; F21L 25/00; F21L 4/005; F21L 4/025; F21L 4/027; F21L 4/04; F21L 4/08; F21L 13/00; F21L 13/08; F21L 14/02; F21L 19/00; F21L 2/00; F21L 4/00-4/085; F21V 29/2206; F21V 29/2293; F21V 15/011  
See application file for complete search history.

(56) **References Cited**

**U.S. PATENT DOCUMENTS**

D531,335 S	10/2006	Garrity	
D533,954 S *	12/2006	Opolka	D26/39
D552,278 S	10/2007	Spartano et al.	
D583,971 S *	12/2008	Castellucci	D26/39
D672,893 S	12/2012	Inskeep	
D696,803 S	12/2013	Kingston et al.	
D715,982 S *	10/2014	Windom	D26/39

D721,842 S	1/2015	Opolka	
D742,051 S	10/2015	Abernethy	
D743,597 S	11/2015	Abernethy et al.	
D745,730 S	12/2015	Kunzendorf	
D821,006 S *	6/2018	Chen	D26/39
D836,228 S *	12/2018	Kunzendorf	D26/39
D843,037 S	3/2019	Li	
D861,212 S *	9/2019	Windom	D26/39
D861,940 S *	10/2019	Kunzendorf	D26/39
D867,640 S *	11/2019	Windom	D26/39
D876,695 S	2/2020	Hine	
D878,649 S *	3/2020	Kunzendorf	D26/39
D887,602 S *	6/2020	Kunzendorf	D26/39
D901,736 S	11/2020	Kunzendorf	

**FOREIGN PATENT DOCUMENTS**

EM 007295217-0003 \* 2/2020

\* cited by examiner

*Primary Examiner* — Leanne Was-Englehart

(74) *Attorney, Agent, or Firm* — Alston & Bird LLP

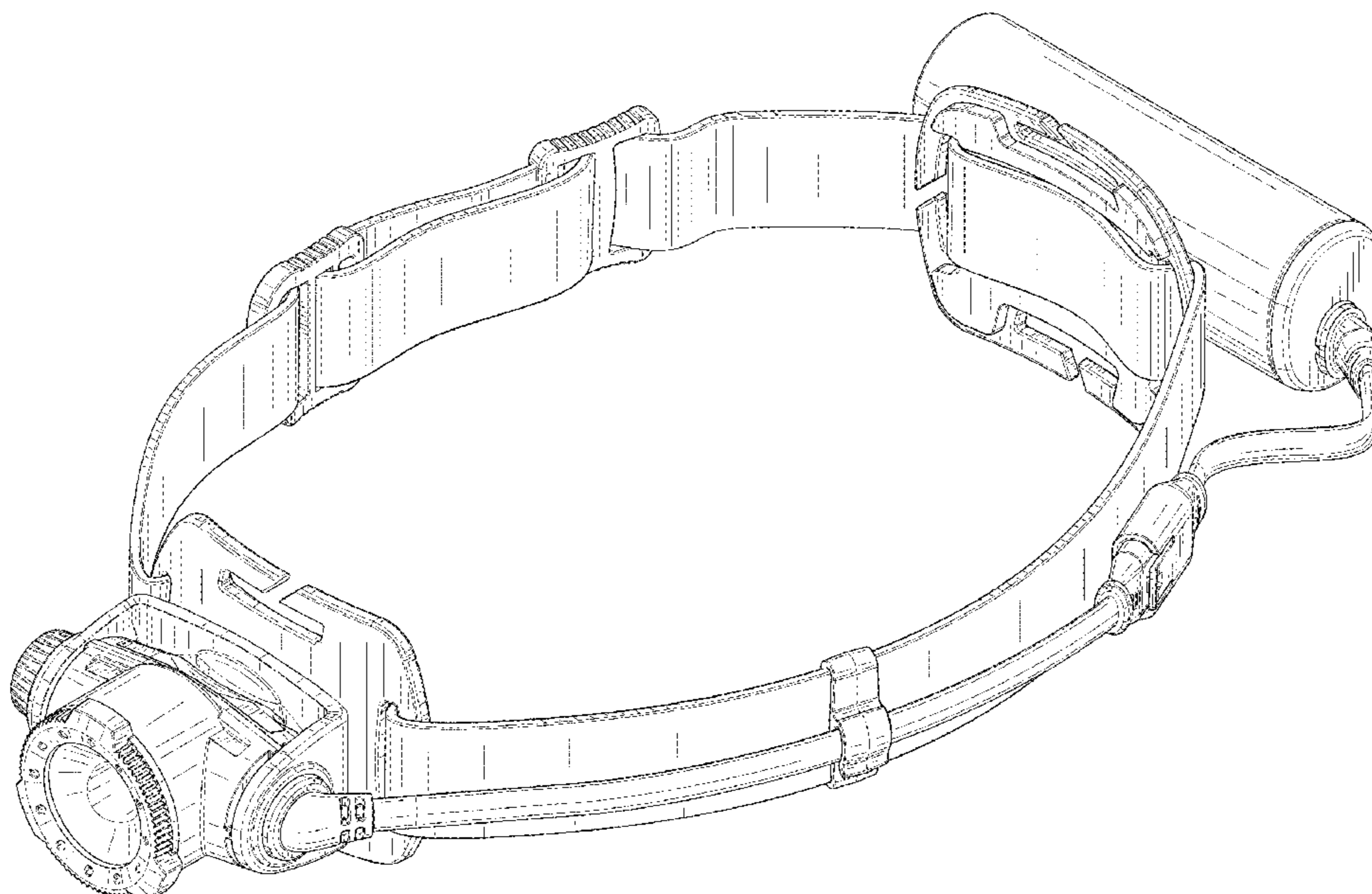
(57) **CLAIM**

The ornamental design for a headlamp, as shown and described.

**DESCRIPTION**

FIG. 1 is a perspective view of a headlamp according to our new design;  
FIG. 2 is a top elevation view thereof;  
FIG. 3 is a bottom plan view thereof;  
FIG. 4 is a left side elevation view thereof;  
FIG. 5 is a right side elevation view thereof;  
FIG. 6 is front elevation view thereof; and,  
FIG. 7 is a rear elevation view thereof.  
The broken lines show portions of the article which form no part of the claimed design.

**1 Claim, 6 Drawing Sheets**



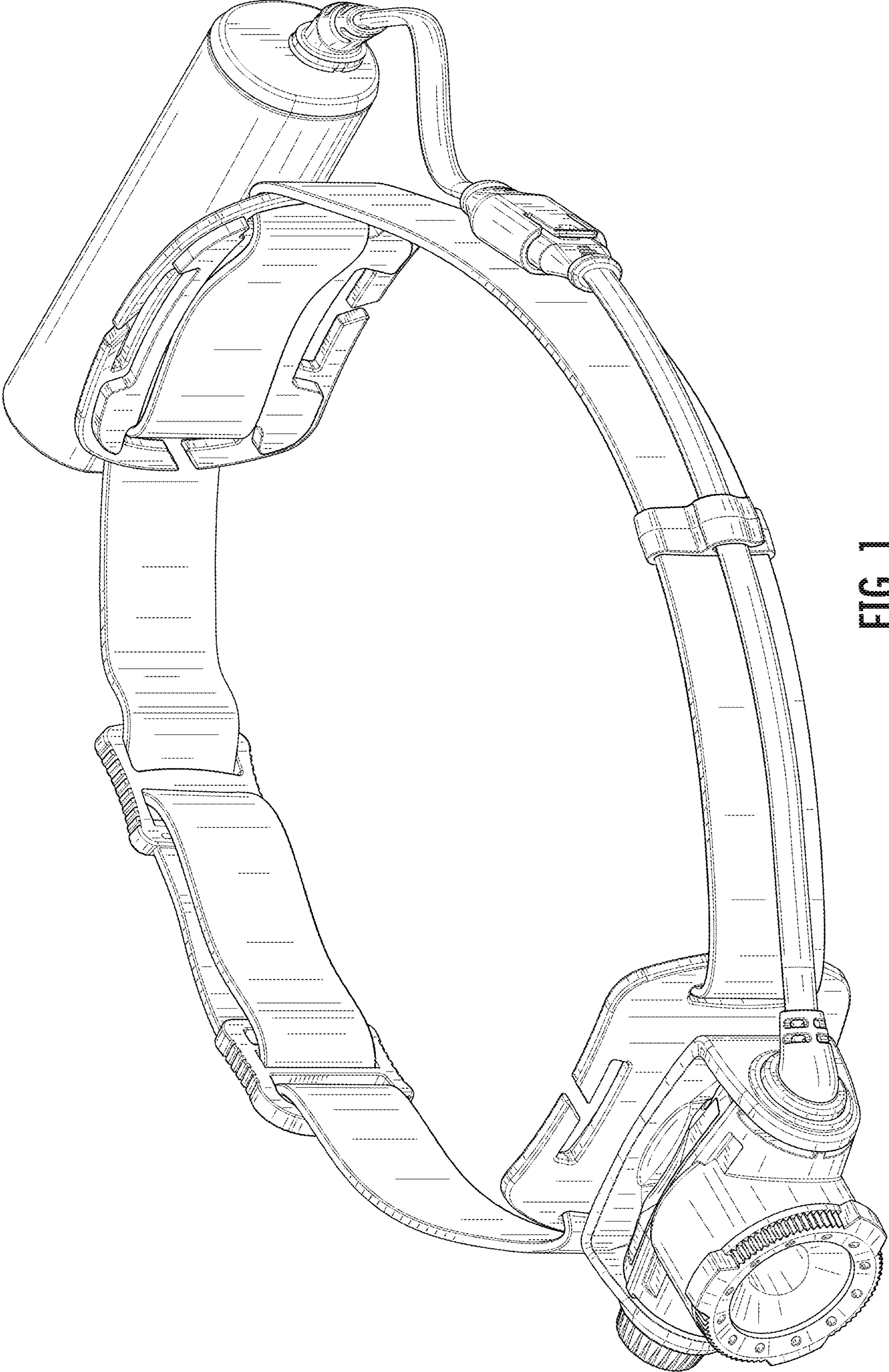


FIG. 1

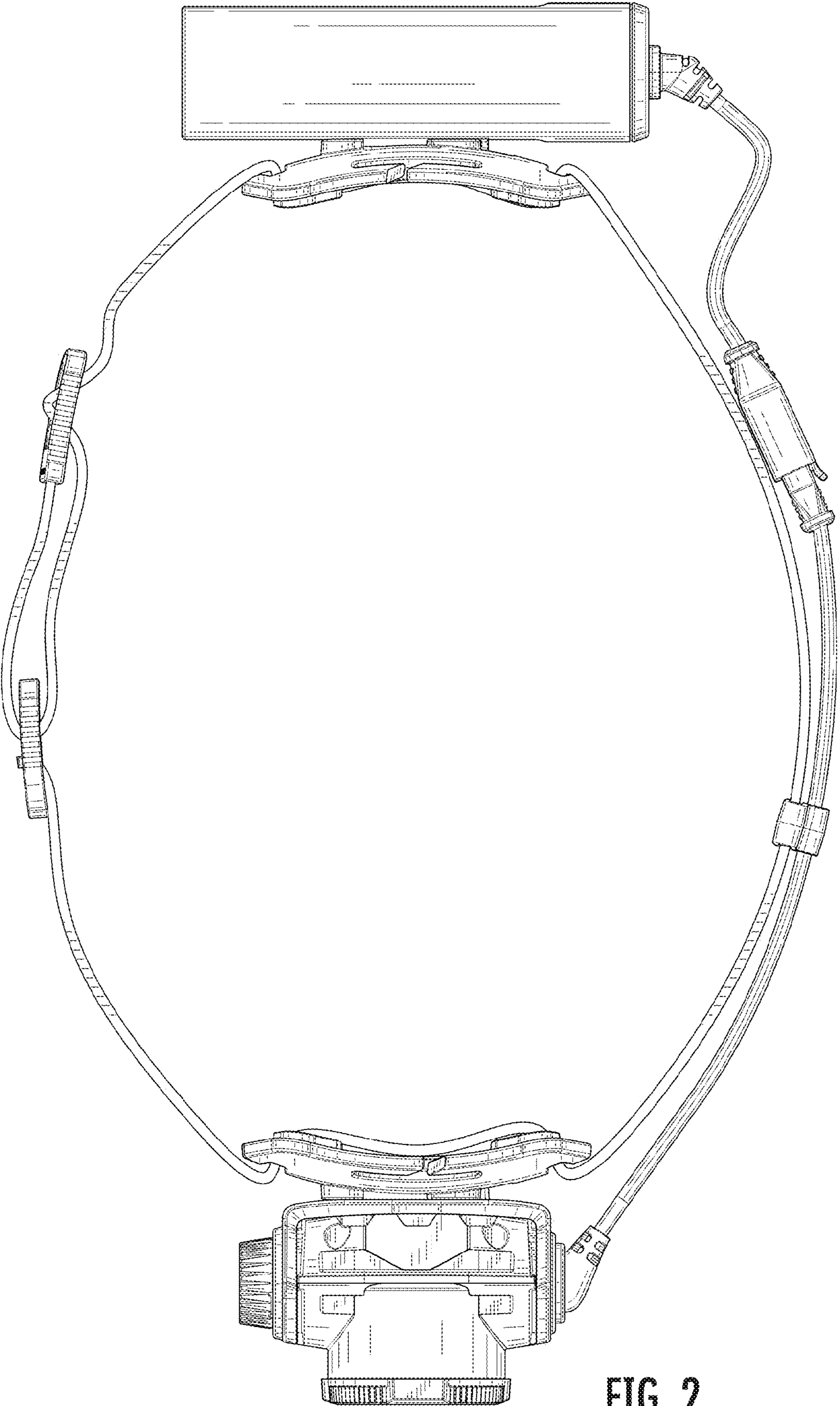


FIG. 2

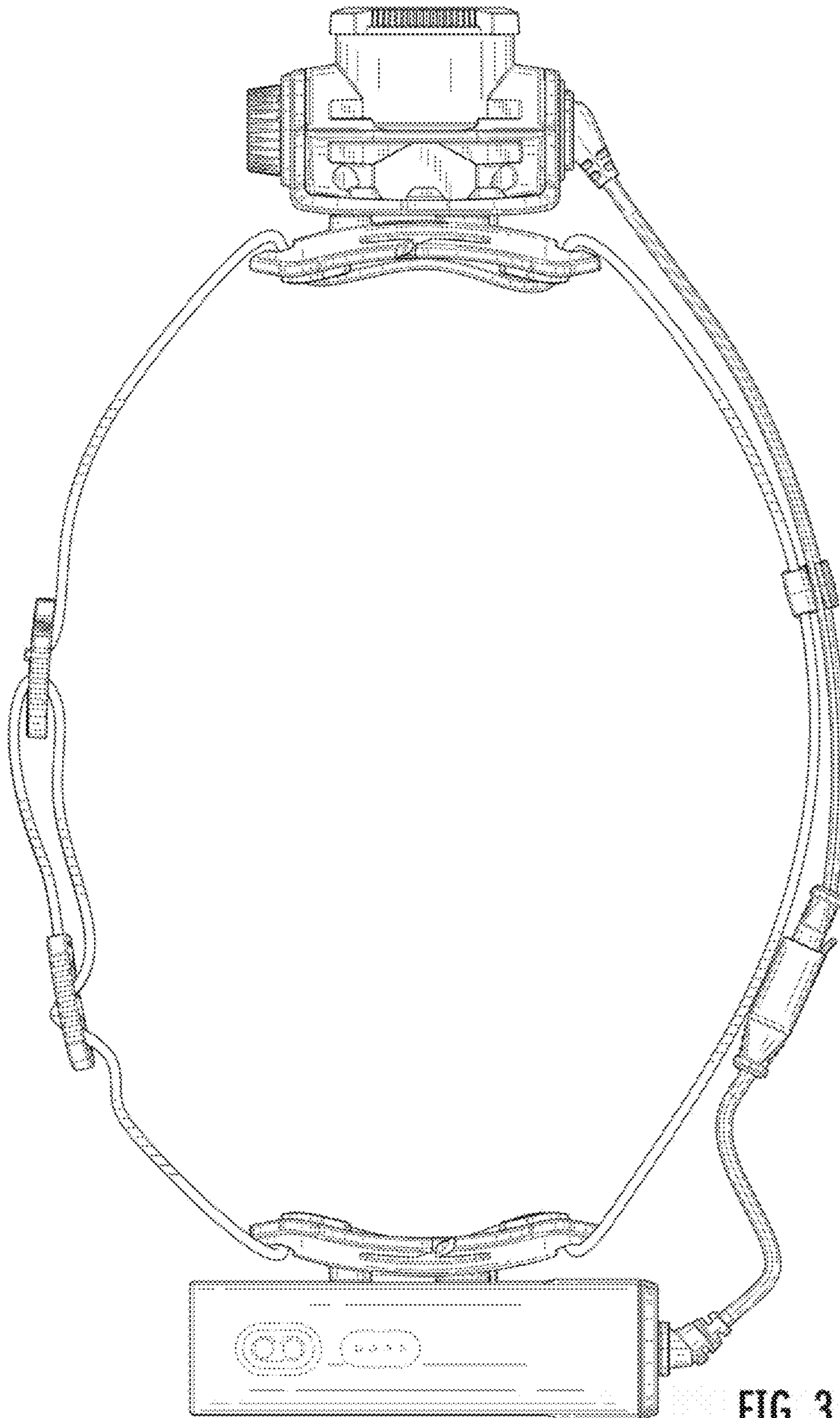


FIG. 3

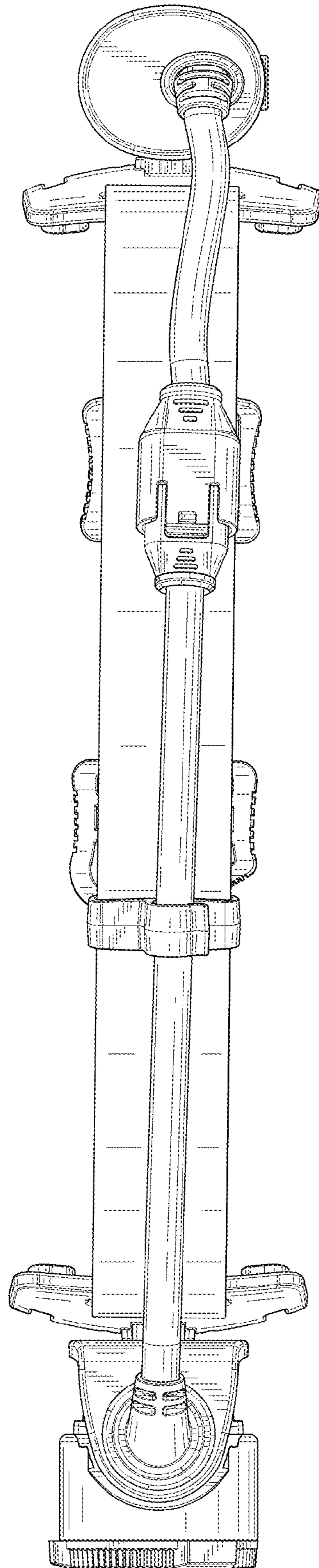


FIG. 4

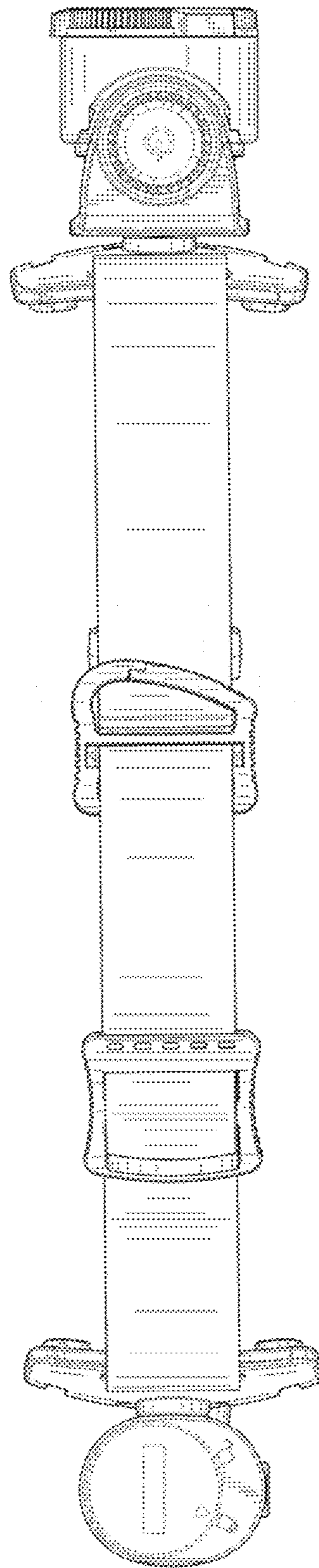


FIG. 5

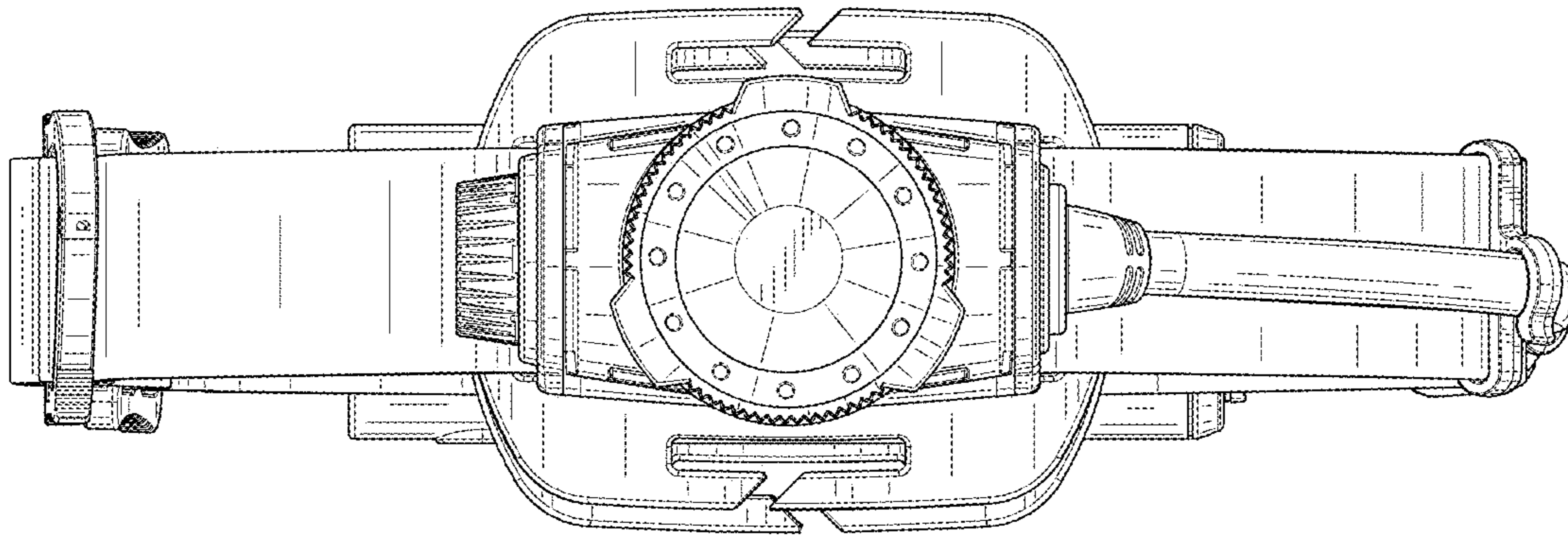


FIG. 6

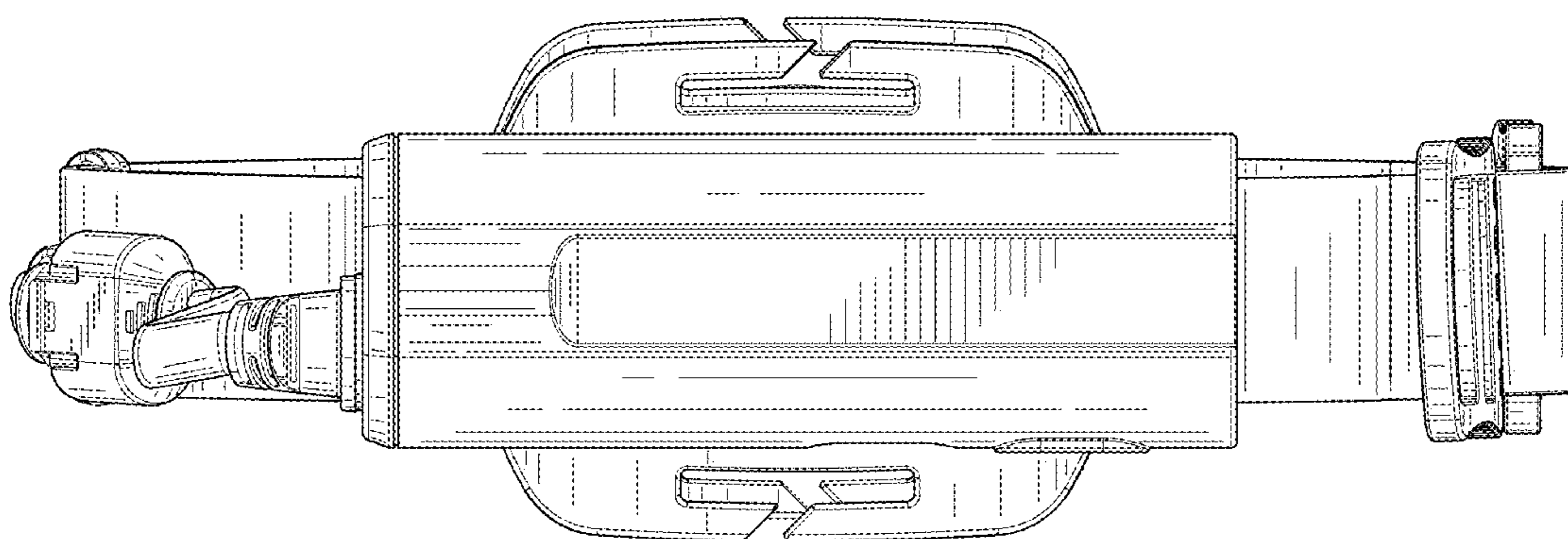


FIG. 7