



US00D935656S

(12) **United States Design Patent**
Xiao et al.

(10) **Patent No.:** **US D935,656 S**

(45) **Date of Patent:** **** Nov. 9, 2021**

(54) **HEADLAMP**

(71) Applicant: **Ledlenser GmbH & Co. KG**, Solingen (DE)

(72) Inventors: **Bin Xiao**, Düsseldorf (DE); **André Kunzendorf**, Wuppertal (DE)

(73) Assignee: **LEDLENSER GMBH & CO. KG**, Solingen (DE)

(**) Term: **15 Years**

(21) Appl. No.: **29/714,559**

(22) Filed: **Nov. 25, 2019**

(51) **LOC (13) Cl.** **26-02**

(52) **U.S. Cl.**
USPC **D26/39**

(58) **Field of Classification Search**
USPC D26/37-51
CPC F21L 2003/00; F21L 4/005; F21L 4/025;
F21L 4/027; F21L 4/04; F21L 4/08; F21L
13/00; F21L 13/08; F21L 14/02; F21L
19/00; F21L 2/00; F21L 4/00-4/085;
F21L 15/00-15/14; F21L 2001/00; F21L
2005/00; F21L 25/00; F21V 29/2206;
F21V 29/2293; F21V 15/011

See application file for complete search history.

(56) **References Cited**

U.S. PATENT DOCUMENTS

D531,335 S	10/2006	Garrity	
D533,954 S *	12/2006	Opolka	D26/39
D552,278 S	10/2007	Spartano et al.	
D583,971 S *	12/2008	Castellucci	D26/39
D672,893 S	12/2012	Inskeep	
D696,803 S	12/2013	Kingston et al.	
D715,982 S *	10/2014	Windom	D26/39
D721,842 S	1/2015	Opolka	
D742,051 S	10/2015	Abernethy	
D743,597 S	11/2015	Abernethy et al.	
D745,730 S	12/2015	Kunzendorf	

D821,006 S *	6/2018	Chen	D26/39
D836,228 S *	12/2018	Kunzendorf	D26/39
D843,037 S	3/2019	Li	
D861,212 S *	9/2019	Windom	D26/39
D861,940 S *	10/2019	Kunzendorf	D26/39
D867,640 S *	11/2019	Windom	D26/39
D876,695 S	2/2020	Hine	
D878,649 S *	3/2020	Kunzendorf	D26/39
D887,602 S *	6/2020	Kunzendorf	D26/39
D901,736 S	11/2020	Kunzendorf	

FOREIGN PATENT DOCUMENTS

EM 007295217-0001 * 2/2020

OTHER PUBLICATIONS

Amazon.com_ Ledlenser, H5R Core Rechargeable Headlamp, 500 lumens <https://www.amazon.com/Ledlenser-Rechargeable-Dustproof-Waterproof-Connecting/dp/B08H5WZPDY> First Available Sep. 1, 2020 (Year: 2020).*

* cited by examiner

Primary Examiner — Leanne Was-Englehart
(74) *Attorney, Agent, or Firm* — Alston & Bird LLP

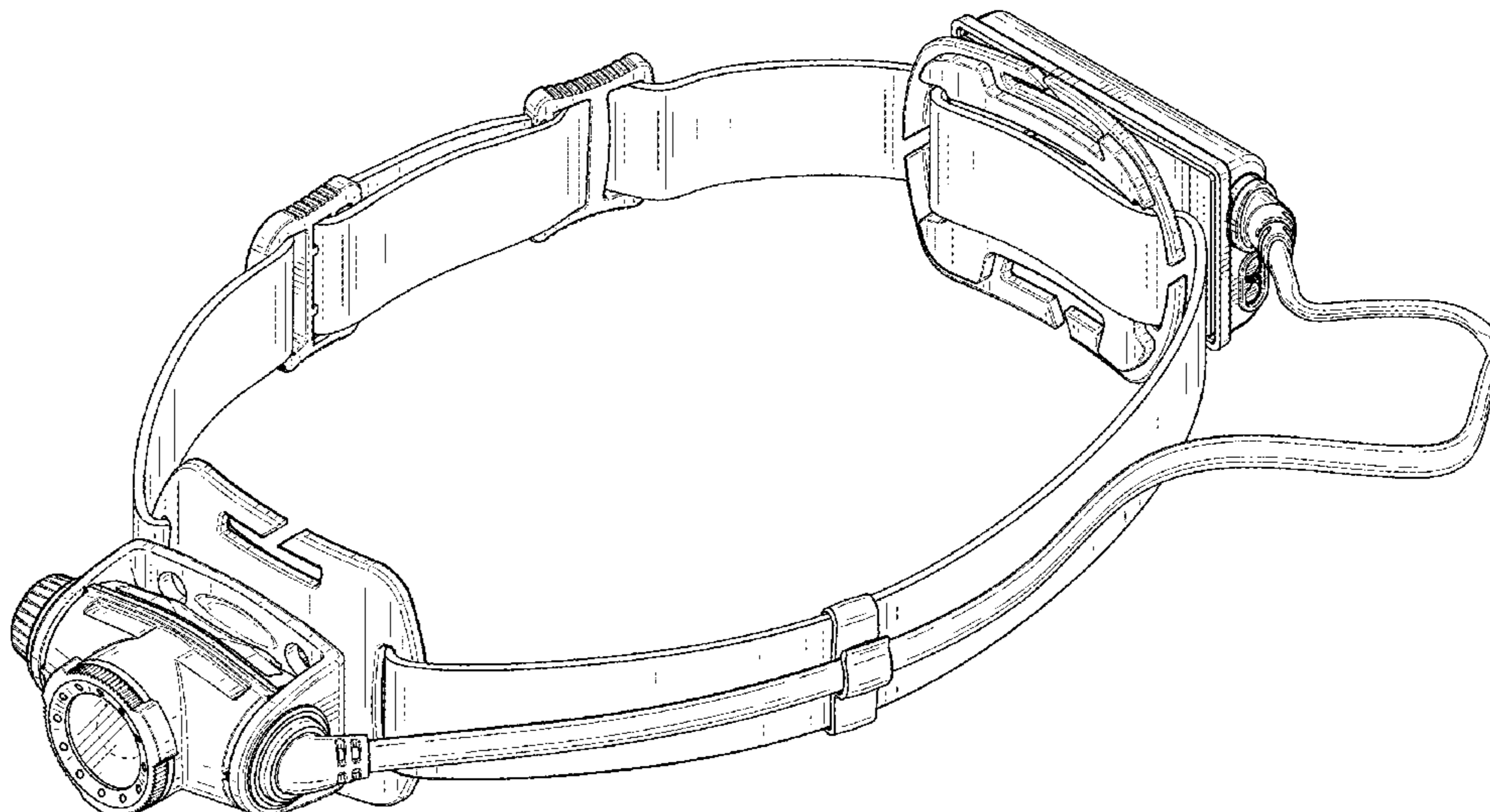
(57) **CLAIM**

The ornamental design for a headlamp, as shown and described.

DESCRIPTION

FIG. 1 is a perspective view of a headlamp according to our new design;
FIG. 2 is a front elevation view thereof;
FIG. 3 is a rear elevation view thereof;
FIG. 4 is a left side elevation view thereof;
FIG. 5 is a right side elevation view thereof;
FIG. 6 is a top elevation view thereof; and,
FIG. 7 is a bottom plan view thereof.
The broken lines show portions of the article which form no part of the claimed design.

1 Claim, 5 Drawing Sheets



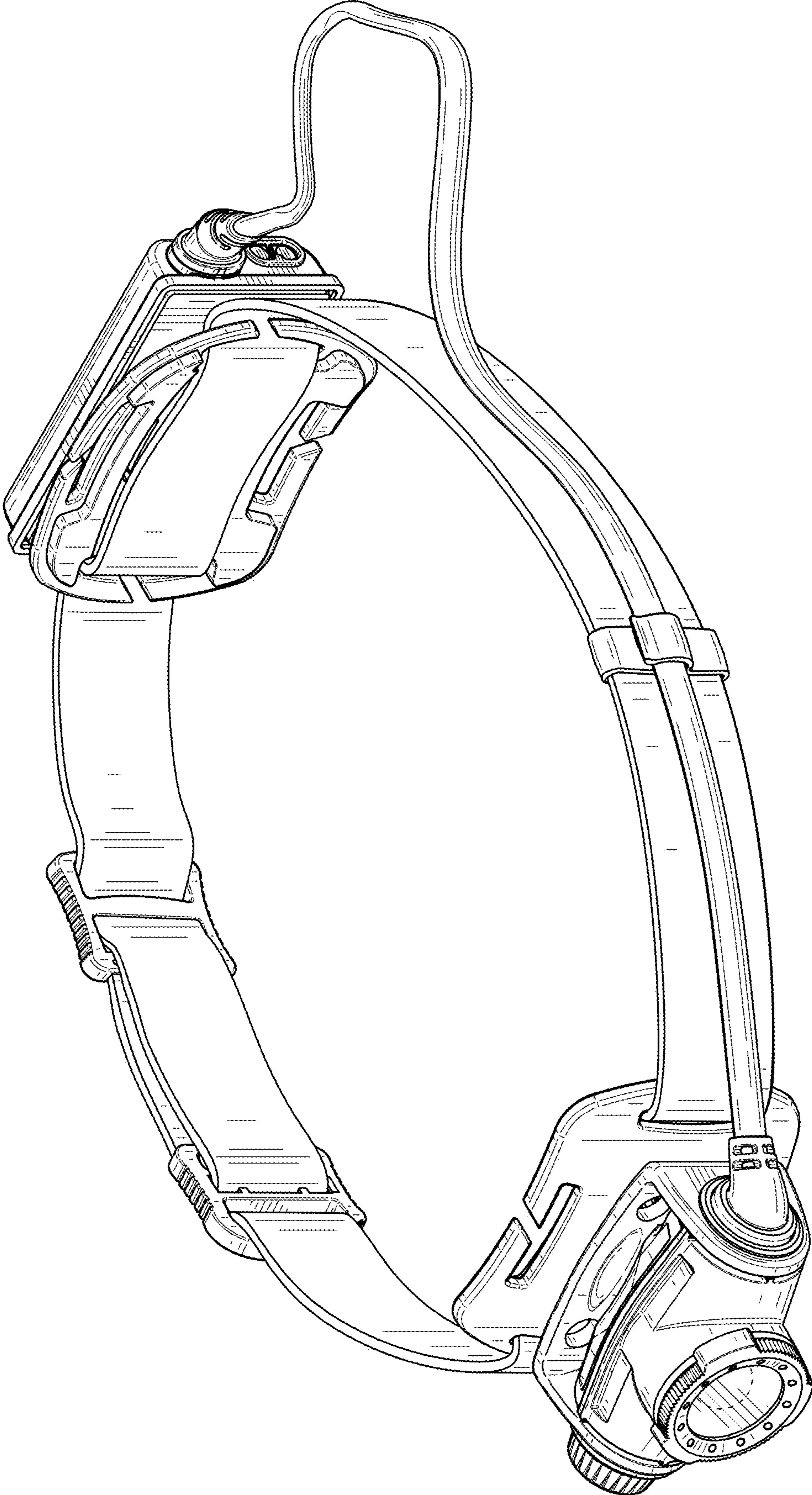


FIG. 1

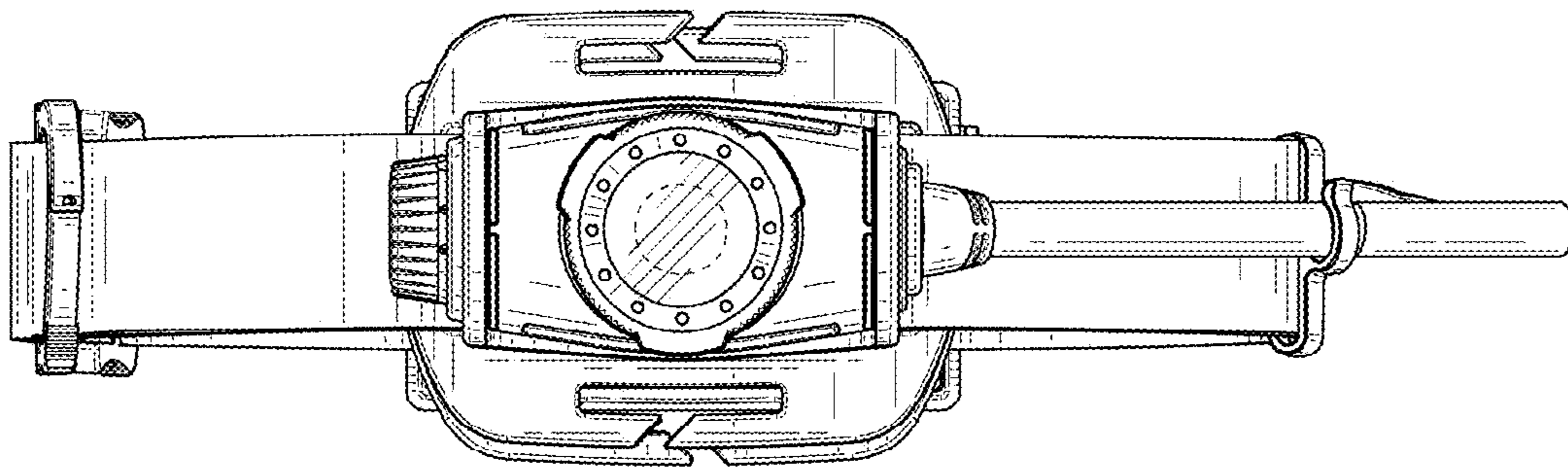


FIG. 2

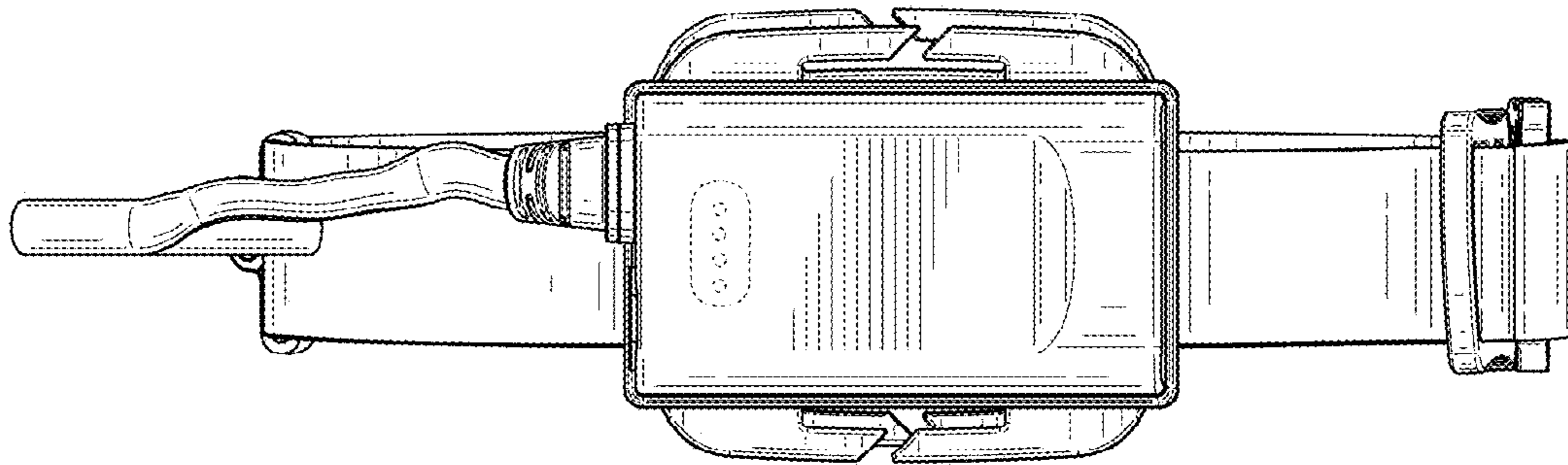


FIG. 3

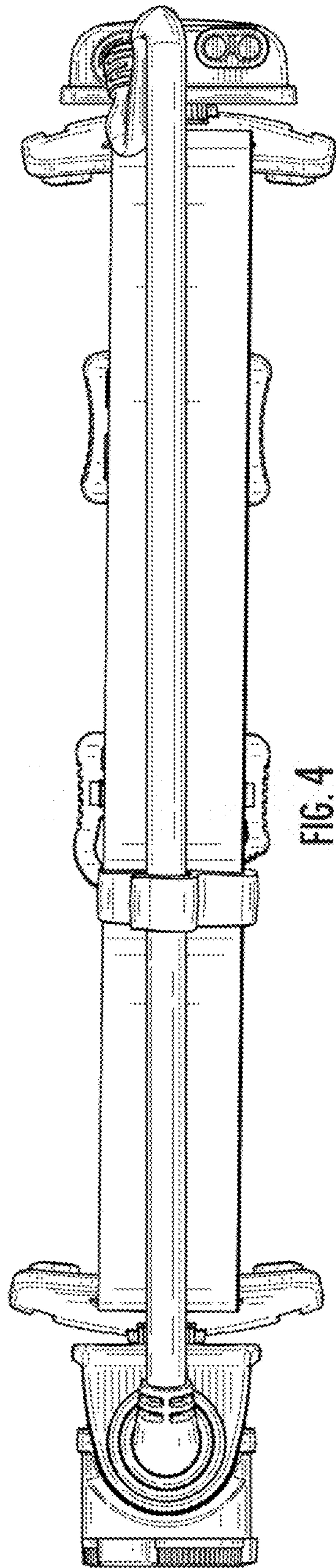


FIG. 4

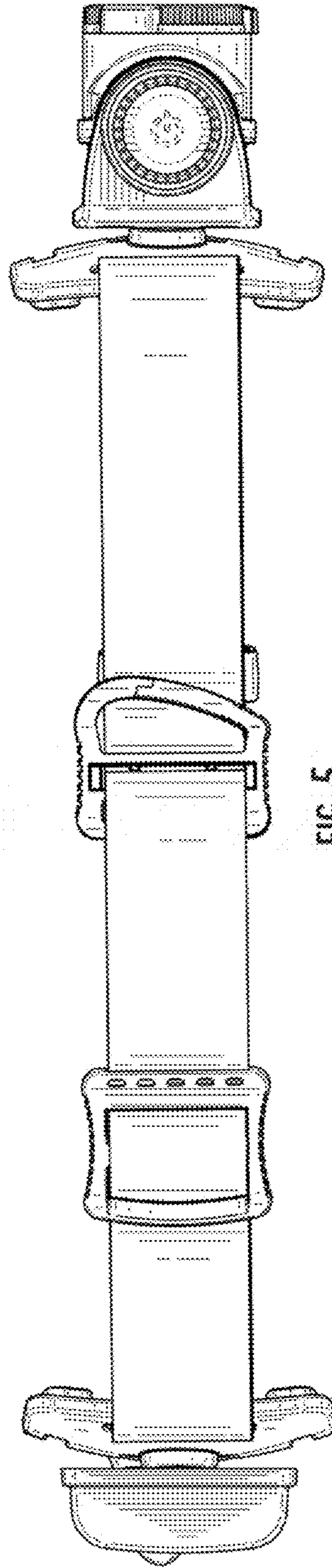


FIG. 5

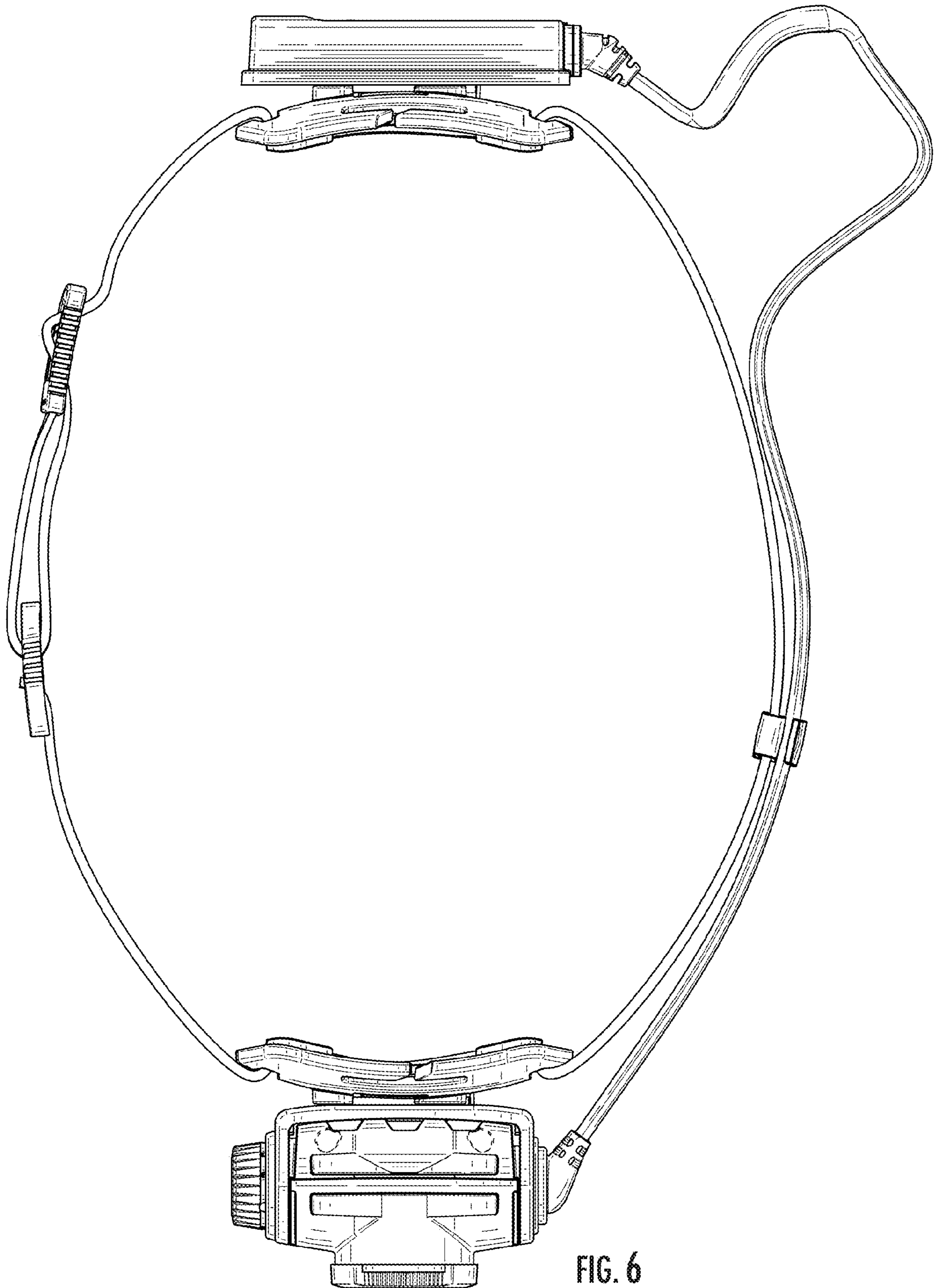


FIG. 6

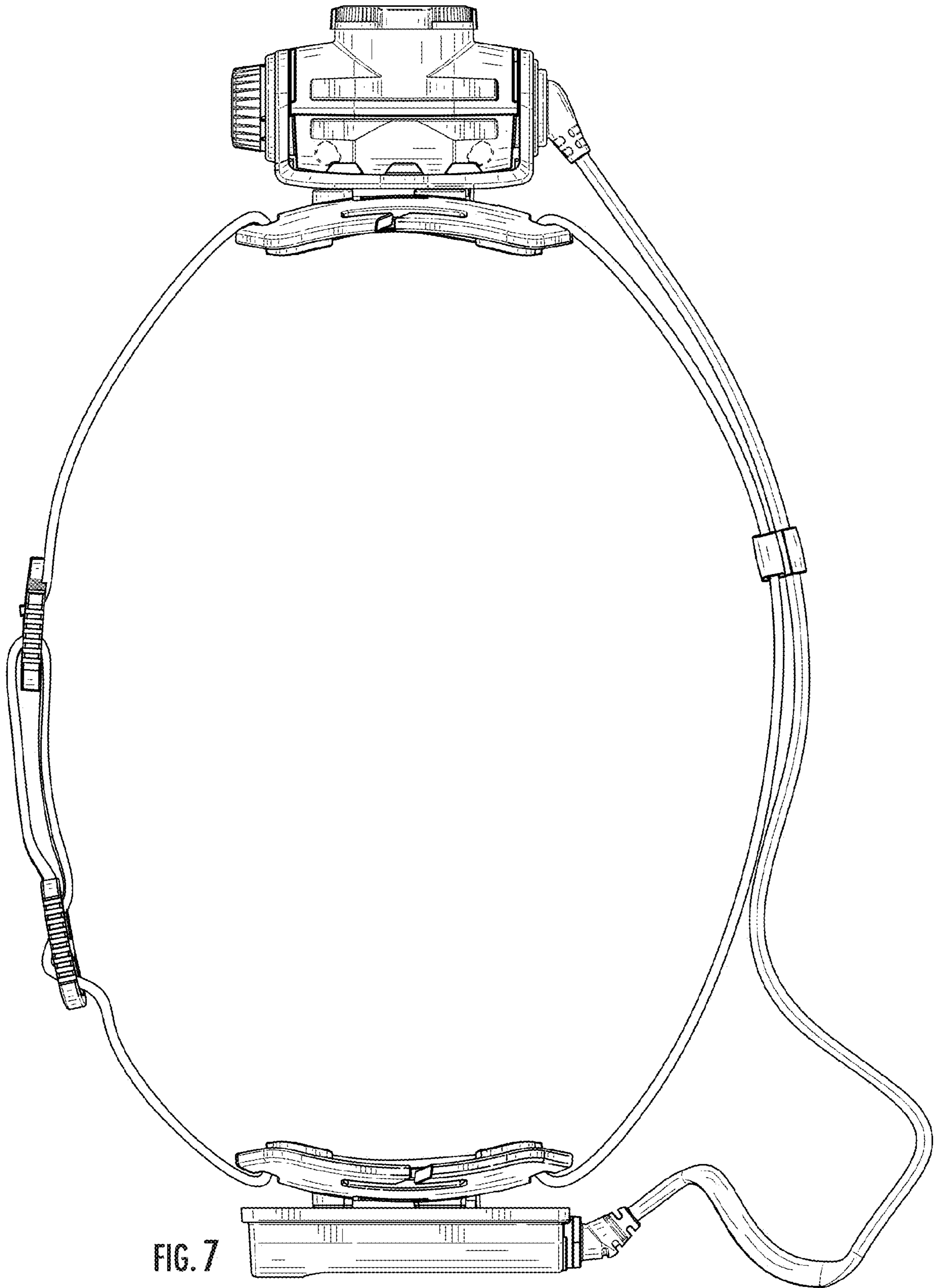


FIG. 7